



US00D440637S

(12) **United States Design Patent**
Lefroy-Brooks

(10) **Patent No.:** **US D440,637 S**

(45) **Date of Patent:** **** Apr. 17, 2001**

(54) **DECK MOUNT TAP**

(76) **Inventor:** **Christopher Alan Lefroy-Brooks, 1**
Grimsdells Corner, Sycamore Road,
Amersham, Buckinghamshire HP6 5EL
(GB)

(**) **Term:** **14 Years**

(21) **Appl. No.:** **29/112,394**

(22) **Filed:** **Oct. 15, 1999**

(30) **Foreign Application Priority Data**

Apr. 16, 1999 (GB) 2082724

(51) **LOC (7) Cl.** **23-01**

(52) **U.S. Cl.** **D23/255; D23/238; D23/259**

(58) **Field of Search** **D23/238-243,**
D23/250-257, 259, 263, 262, 260; 4/675-678;
137/801, 625; 285/131, 132

(56) **References Cited**

U.S. PATENT DOCUMENTS

- D. 163,487 * 5/1951 Schustack D23/263
- D. 240,131 * 6/1976 Dwyer D23/263
- D. 318,904 * 8/1991 Hartkopf D23/252
- D. 335,811 * 5/1993 Bengston et al. D23/250
- D. 339,410 * 9/1993 Gottwald D23/241

D. 422,685 * 5/1951 Kopf D23/259

* cited by examiner

Primary Examiner—Louis S. Zarfaz

Assistant Examiner—Gregory Andoll

(74) *Attorney, Agent, or Firm*—Ratner & Prestia

(57) **CLAIM**

The ornamental design for a deck mount tap, as shown and described.

DESCRIPTION

FIG. 1 is a perspective view of a deck mount tap showing my new design;

FIG. 2 is a left side view of the deck mount tap;

FIG. 3 is a front view of the deck mount tap;

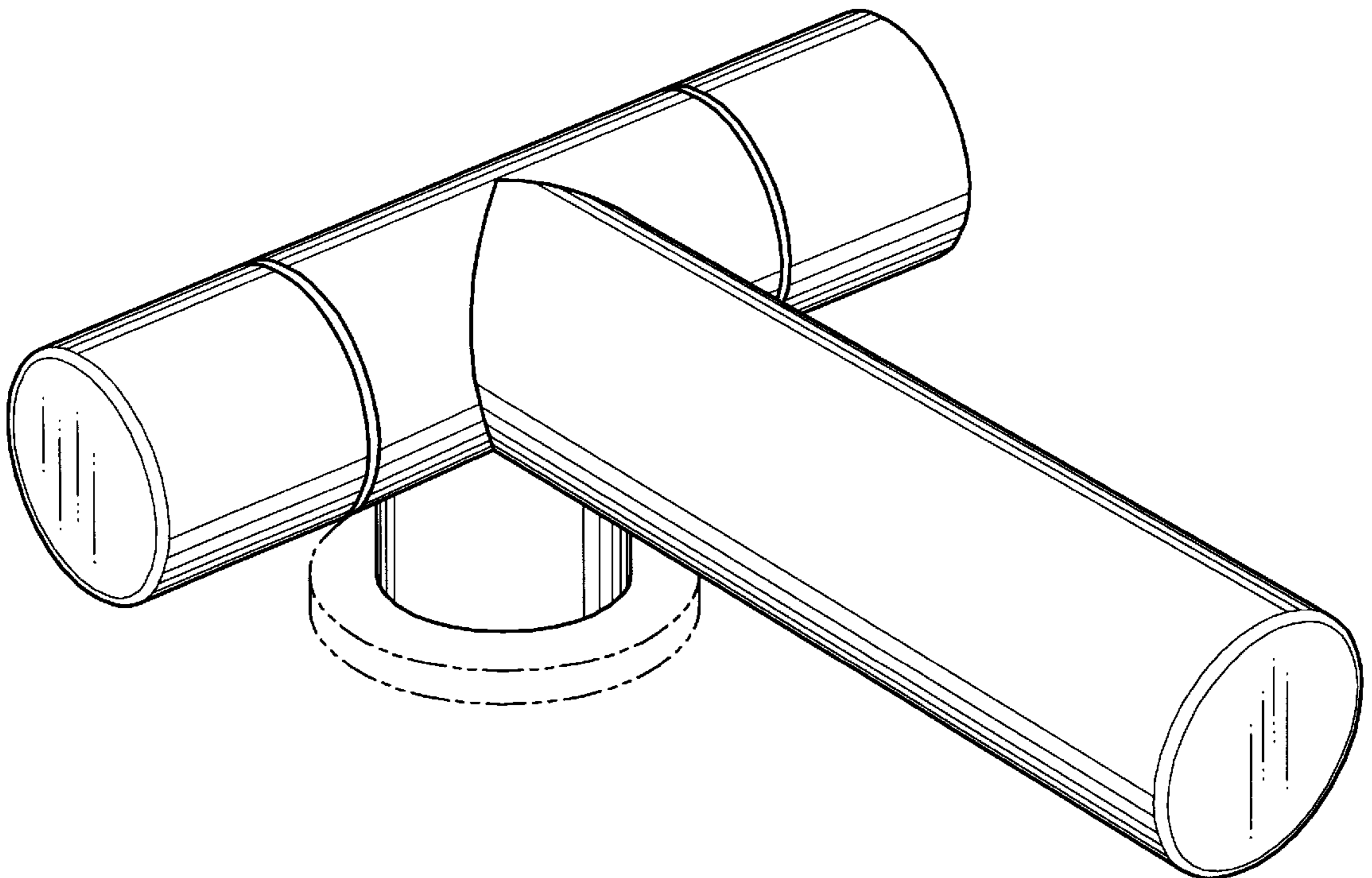
FIG. 4 is a back view of the deck mount tap;

FIG. 5 is a top view of the deck mount tap; and,

FIG. 6 is a bottom view of the deck mount tap.

The right side view is a mirror image of FIG. 2. The features shown in broken lines are provided for illustrative purposes only and form no part of the claimed design. It will be appreciated that water can enter the deck mount tap through the opening (shown in broken lines in FIG. 6) in the bottom of the deck mount tap near the back of the tap and exit the deck mount tap through the opening (also shown in broken lines in FIG. 6) in the bottom of the deck mount tap near the front of the tap.

1 Claim, 6 Drawing Sheets



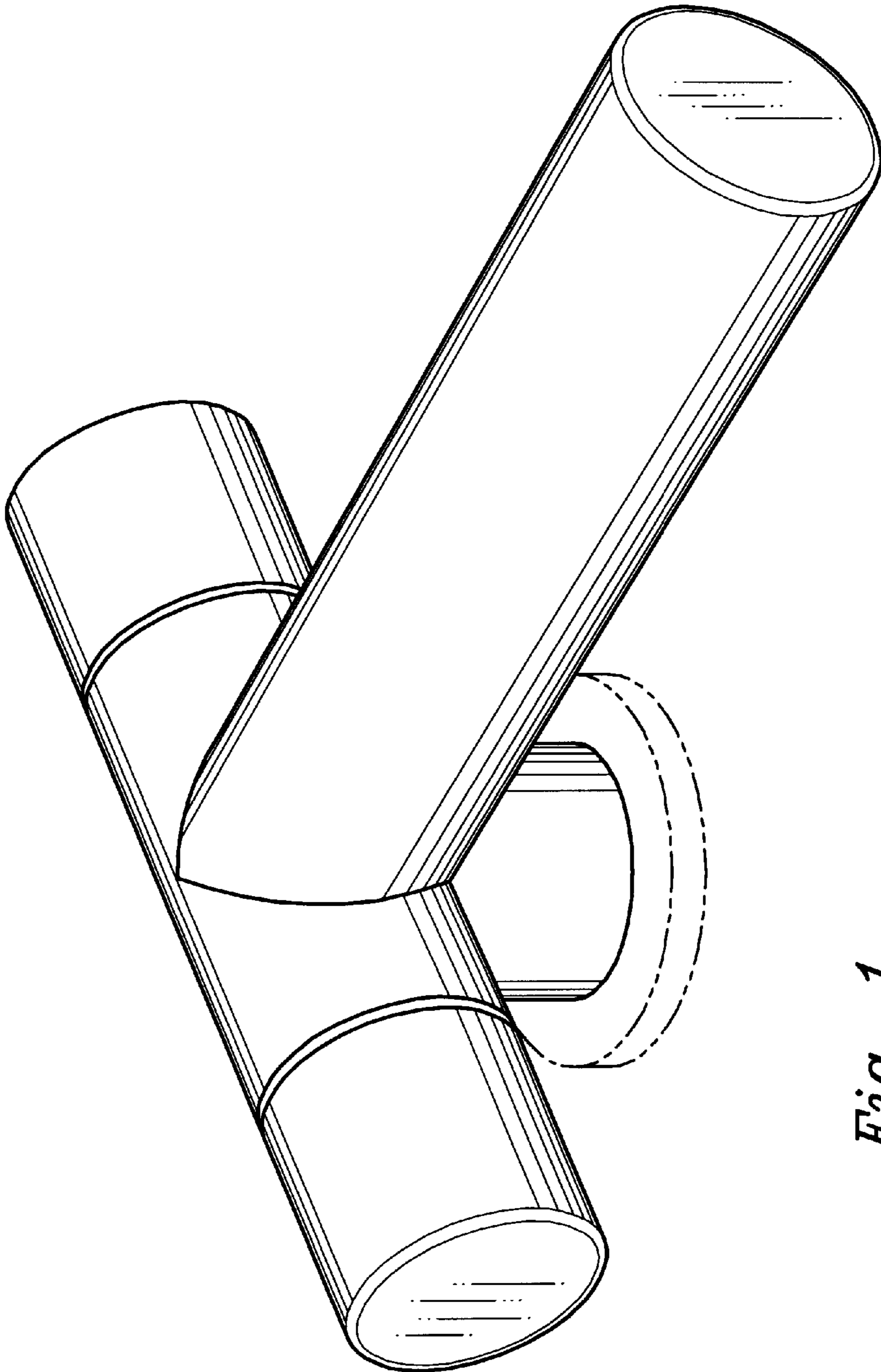


Fig. 1

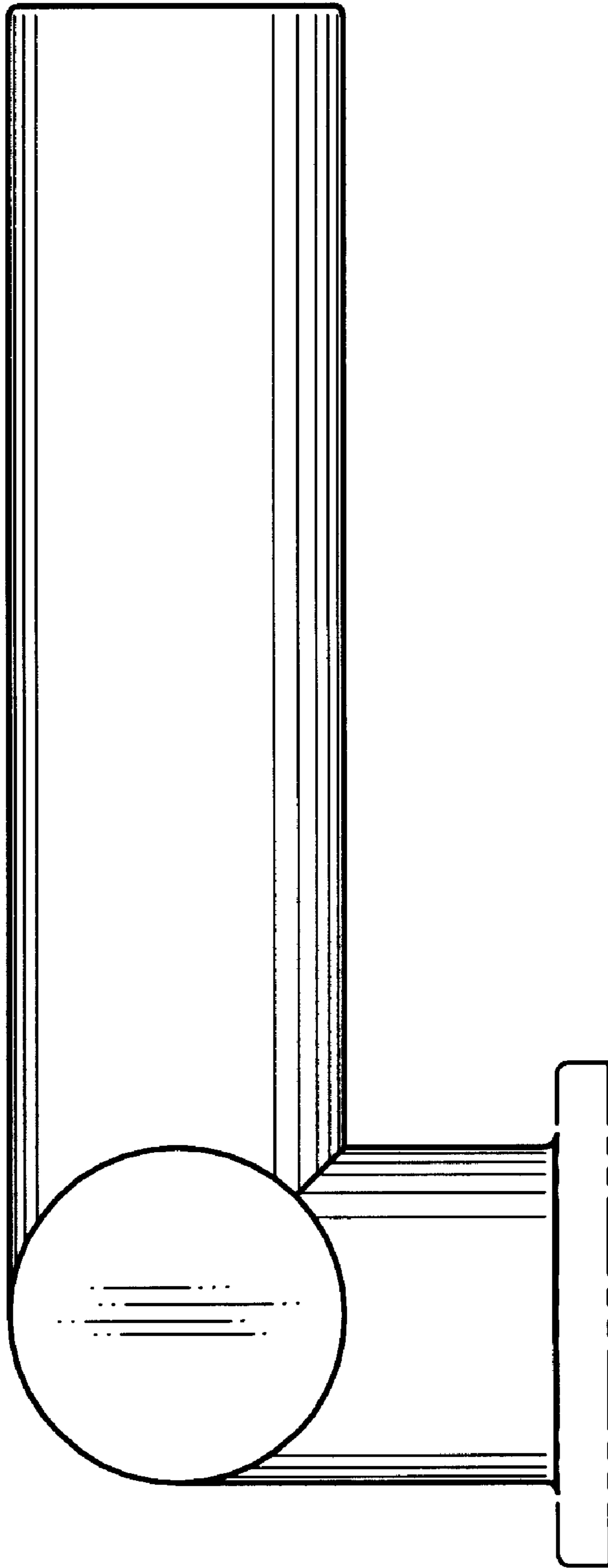


Fig. 2

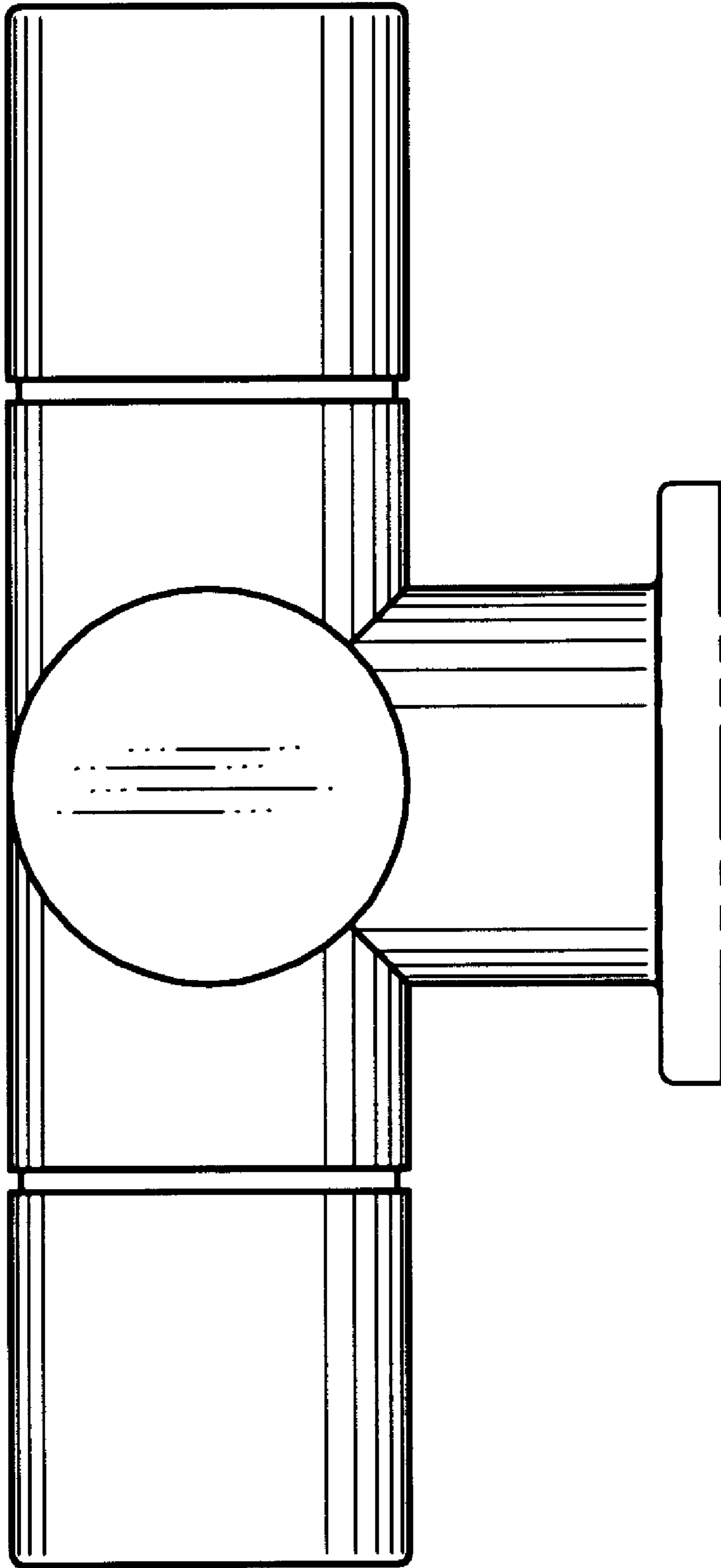


Fig. 3

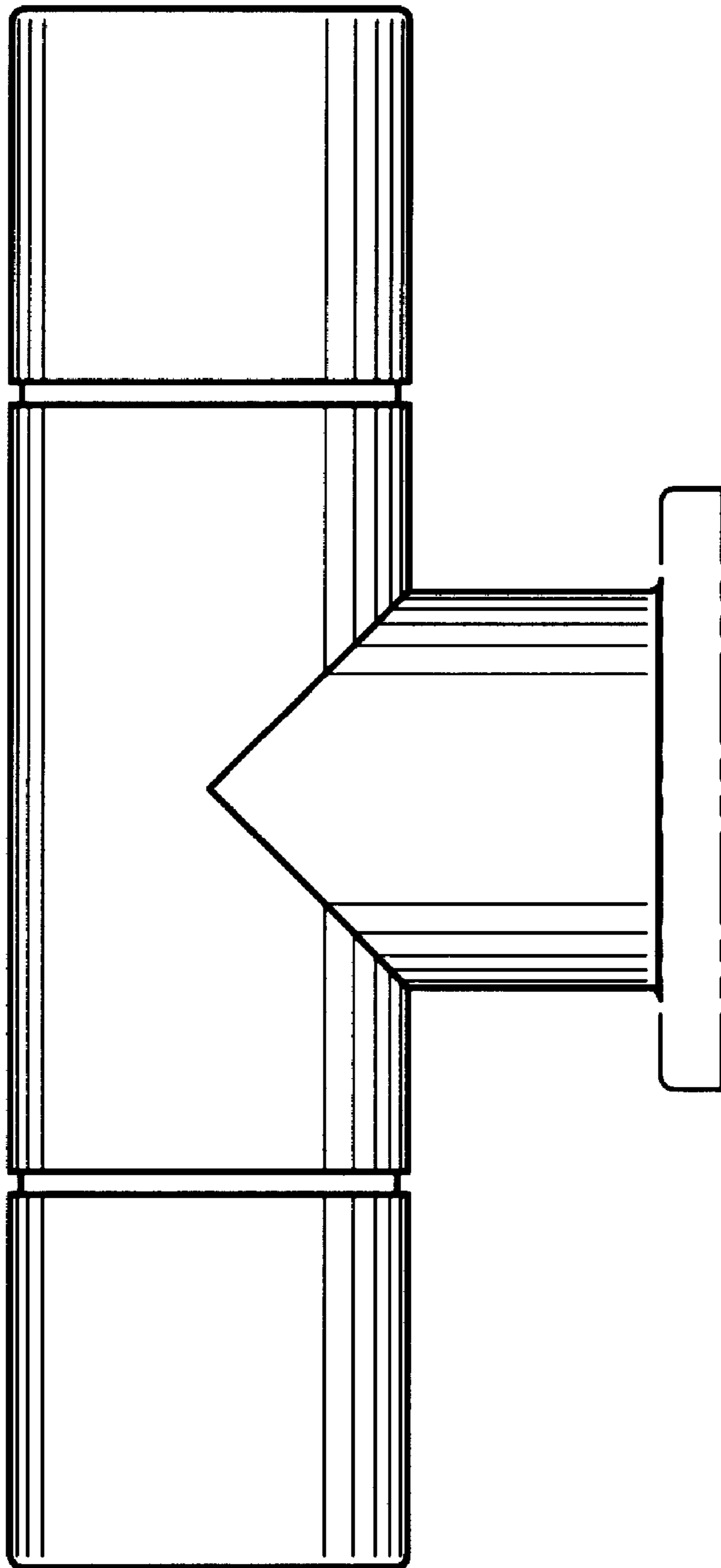


Fig. 4

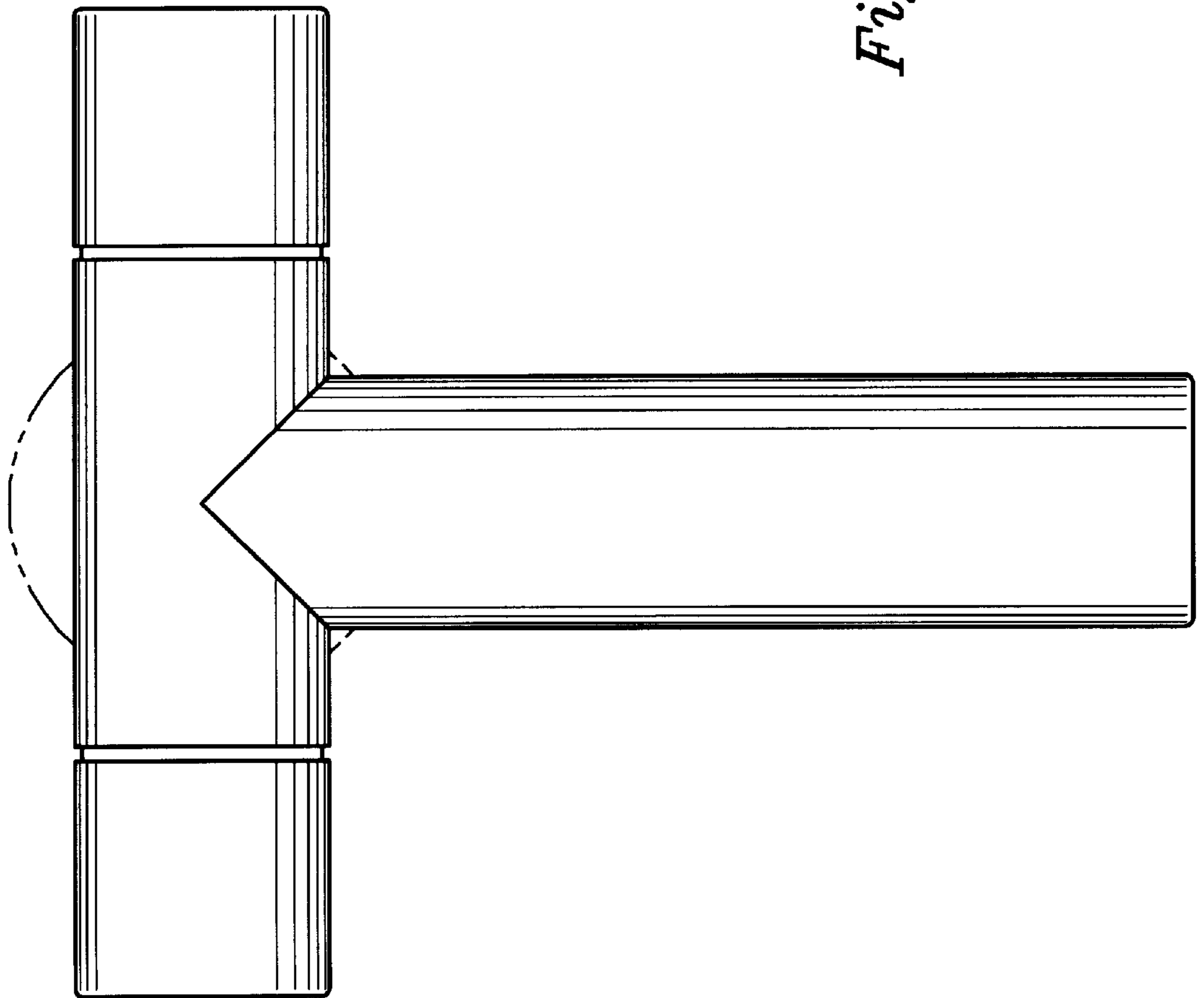


Fig. 5

Fig. 6

