



US00D440631S

(12) **United States Design Patent**
Shipway

(10) **Patent No.:** **US D440,631 S**

(45) **Date of Patent:** **** Apr. 17, 2001**

(54) **DISPENSING VALVE**

5,509,583 * 4/1996 Dolson D7/313

(75) Inventor: **Malcolm Shipway**, Bristol (GB)

* cited by examiner

(73) Assignee: **David S. Smith Packaging Limited**
(GB)

Primary Examiner—Robin V. Taylor

(**) Term: **14 Years**

(74) *Attorney, Agent, or Firm*—Blakely Sokoloff Taylor & Zafman

(21) Appl. No.: **29/085,283**

(57) **CLAIM**

(22) Filed: **Mar. 19, 1998**

The ornamental design for a dispensing valve, as shown and described.

(51) **LOC (7) Cl.** **23-01**

(52) **U.S. Cl.** **D23/233; D7/398**

(58) **Field of Search** **D7/313, 398; D23/233;**
137/322; 222/400.7

DESCRIPTION

FIG. 1 is an elevational view of a dispensing valve showing my new design from one side, the other side corresponding.

(56) **References Cited**

U.S. PATENT DOCUMENTS

D. 326,581 * 6/1992 Hanna et al. D23/233

1 Claim, 1 Drawing Sheet

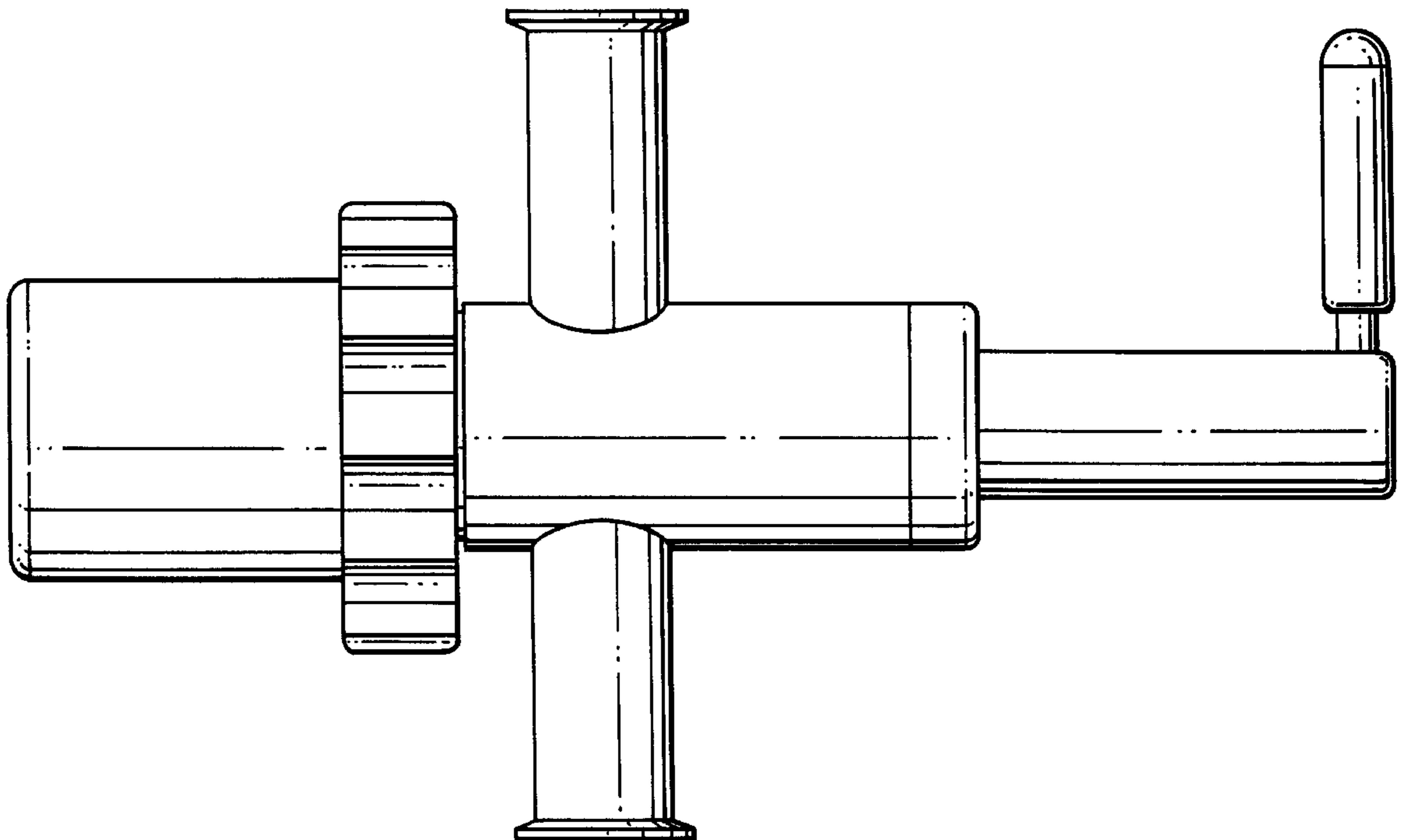


FIG. 1.

