



US00D440629S

(12) **United States Design Patent**  
**Guo**

(10) **Patent No.:** **US D440,629 S**

(45) **Date of Patent:** **\*\* Apr. 17, 2001**

(54) **SPRAYER DEVICE**

D. 383,193 \* 9/1997 Heren et al. .... D23/216

(76) Inventor: **Wen Li Guo**, No. 10, Fang Dong Road,  
Wein Gin Tsuen, Fang Yuan Hsiang,  
Chang Hua Hsien (TW), 528

\* cited by examiner

*Primary Examiner*—Robin V. Taylor  
(74) *Attorney, Agent, or Firm*—Charles E. Baxley

(\*\*) Term: **14 Years**

(57) **CLAIM**

(21) Appl. No.: **29/125,807**

The ornamental design for a sprayer device, as shown and described.

(22) Filed: **Jun. 30, 2000**

**DESCRIPTION**

(51) **LOC (7) Cl.** ..... **23-01**

(52) **U.S. Cl.** ..... **D23/216**

(58) **Field of Search** ..... D23/241–216;  
239/240–242

FIG. 1 is a perspective view of a sprayer device showing my new design;

FIG. 2 is a front elevational view thereof, the opposite end being identical in appearance;

FIG. 3 is a top plan view thereof;

FIG. 4 is a bottom plan view thereof;

FIG. 5 is a left side elevational view thereof; and,

FIG. 6 is a right side elevational view thereof.

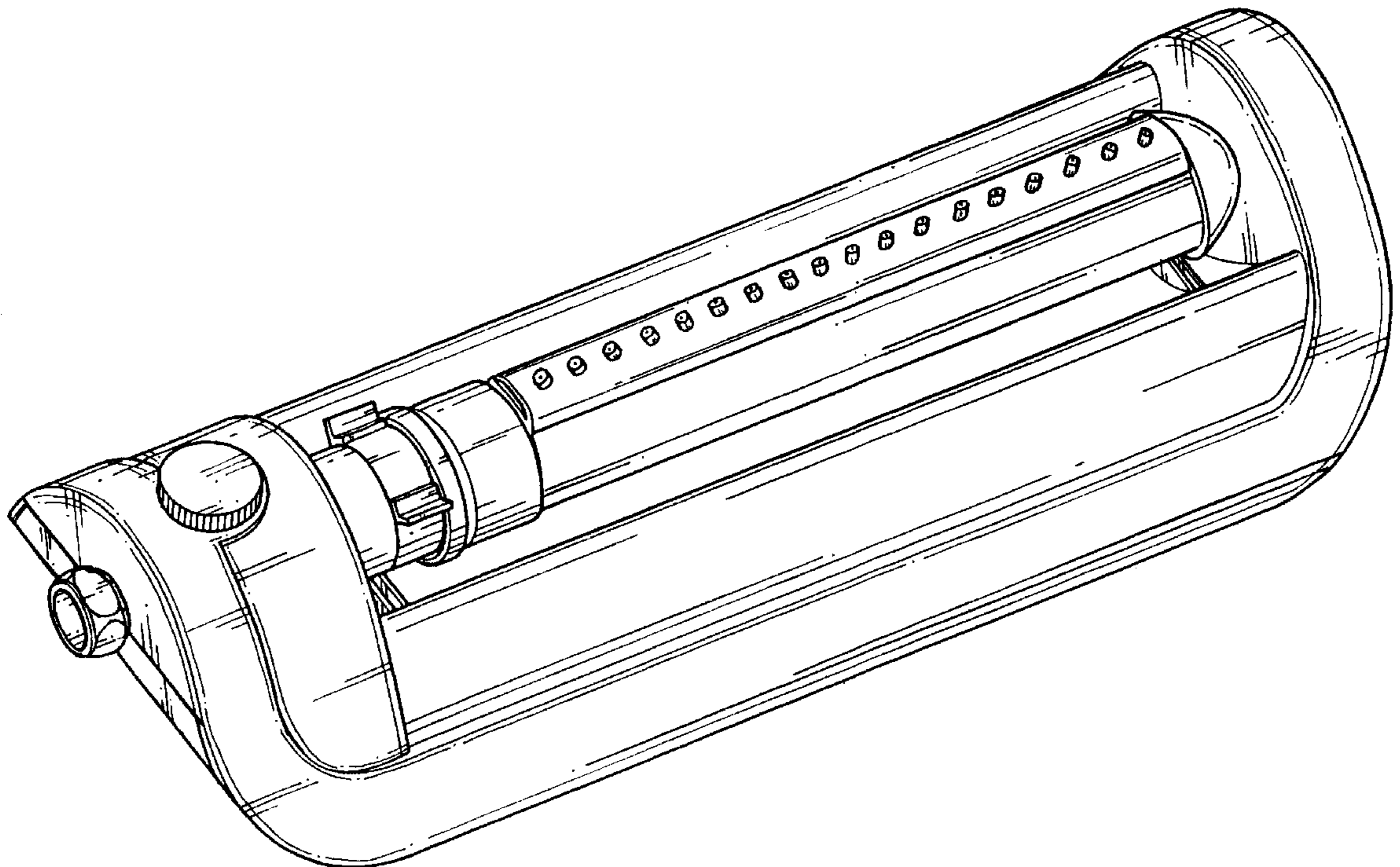
(56) **References Cited**

**U.S. PATENT DOCUMENTS**

D. 282,769 \* 2/1986 Lemkin ..... D23/216

D. 371,596 \* 7/1996 Simonetti ..... D23/216

**1 Claim, 5 Drawing Sheets**



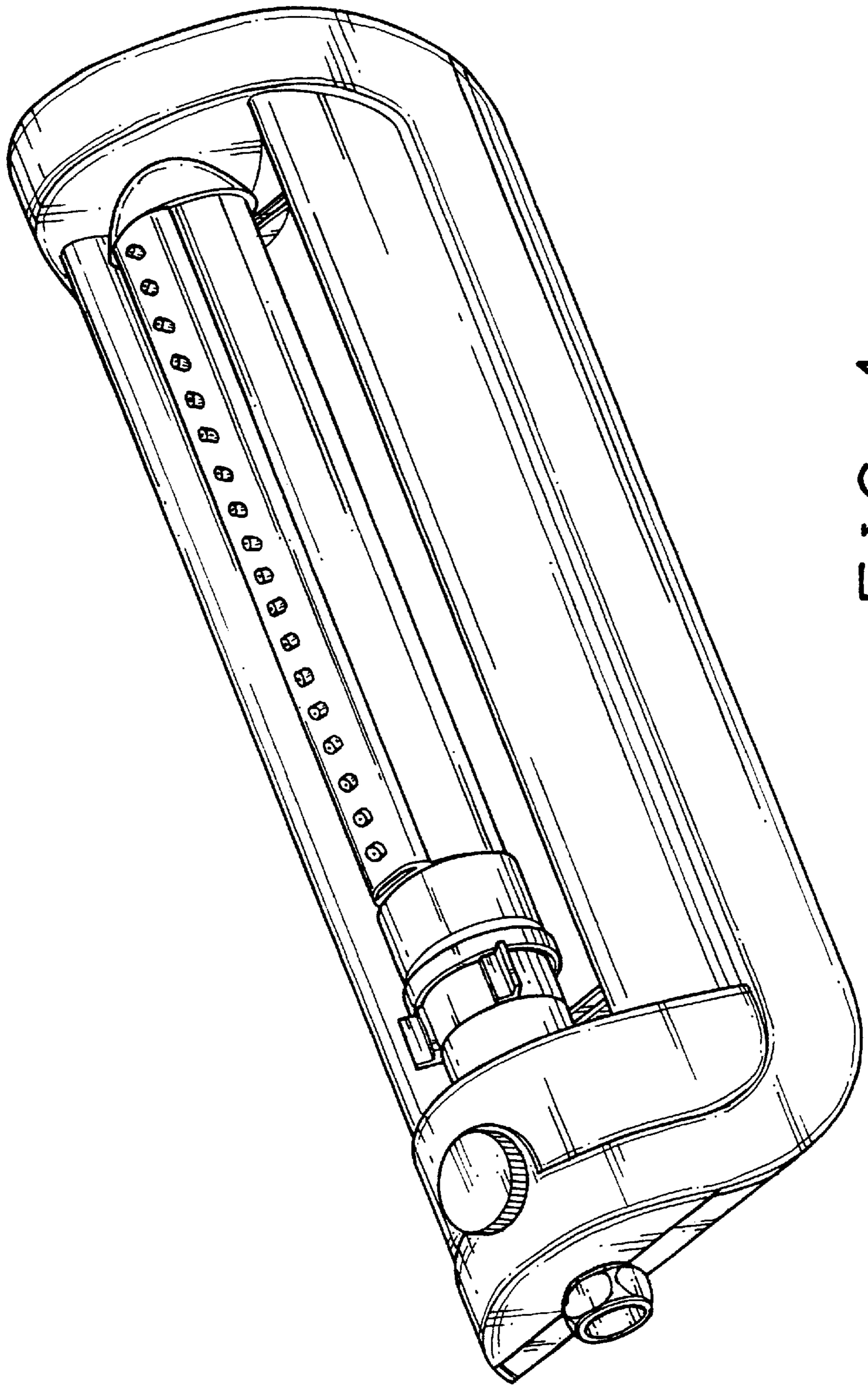


FIG. 1

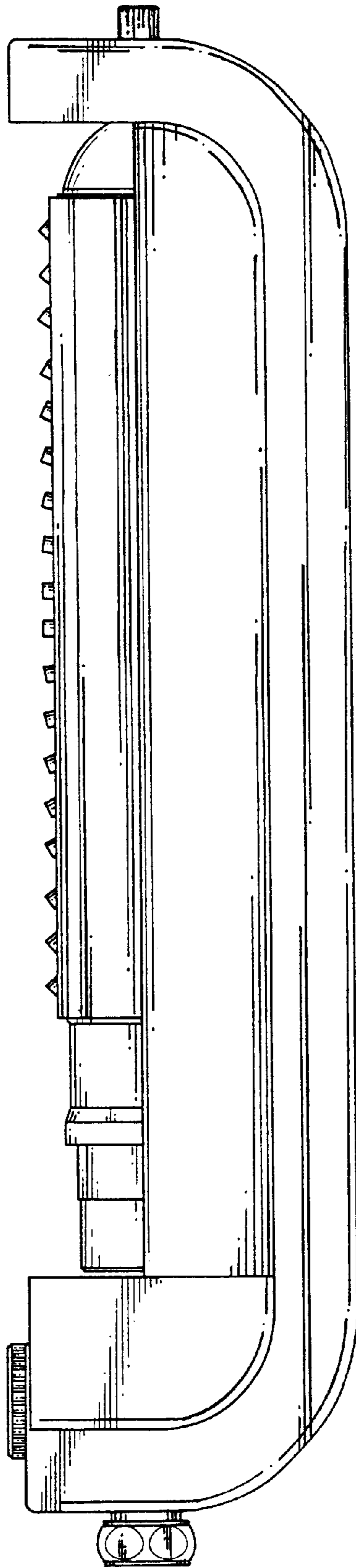


FIG. 2

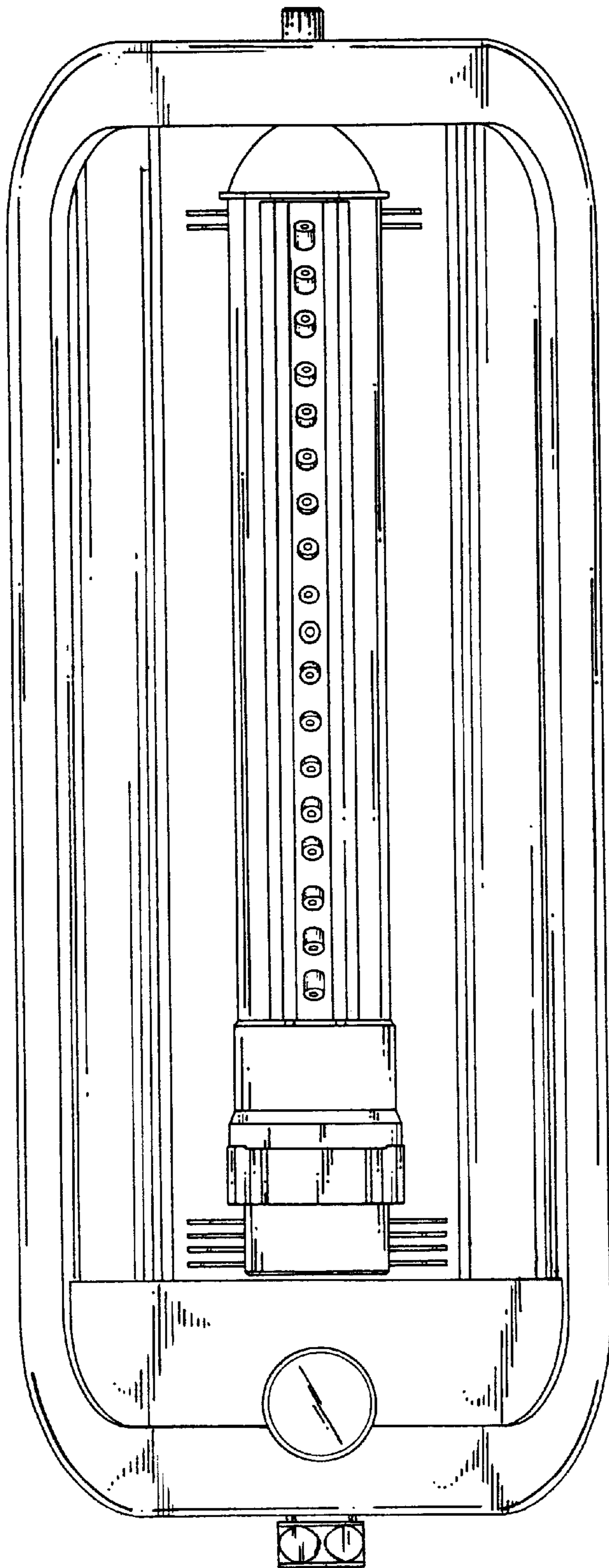


FIG. 3

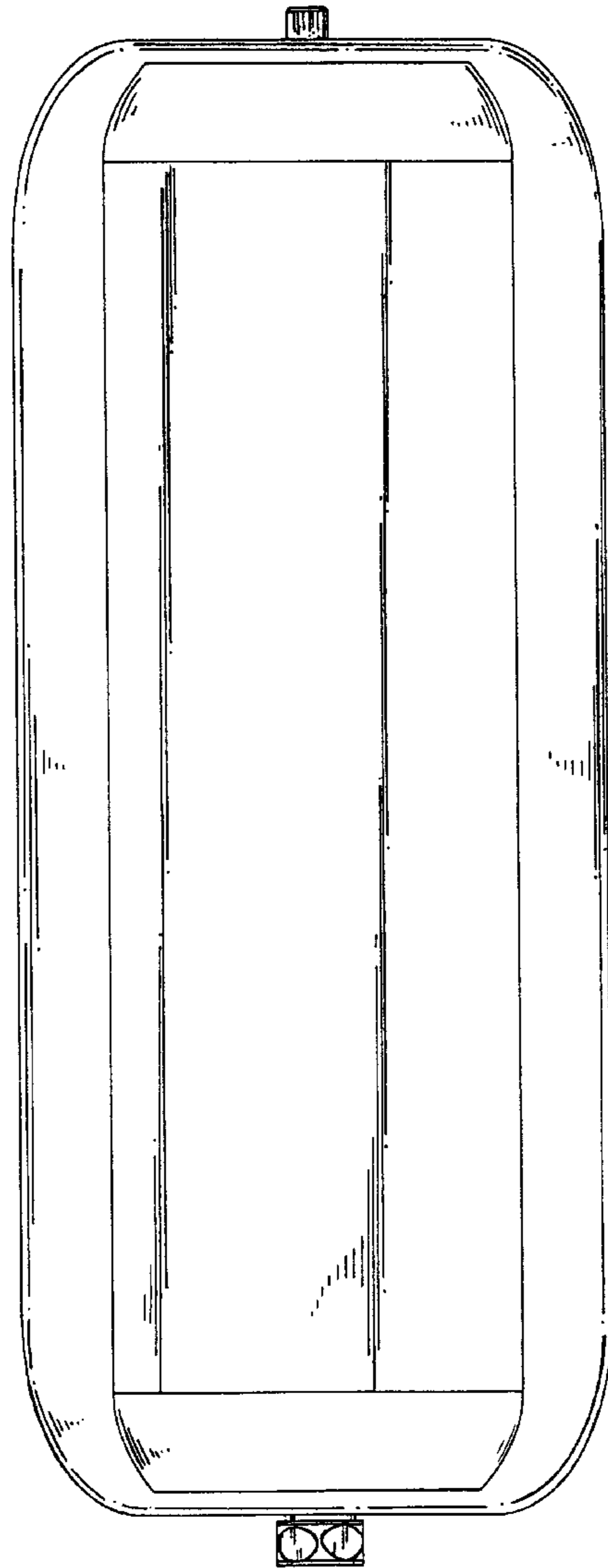


FIG. 4

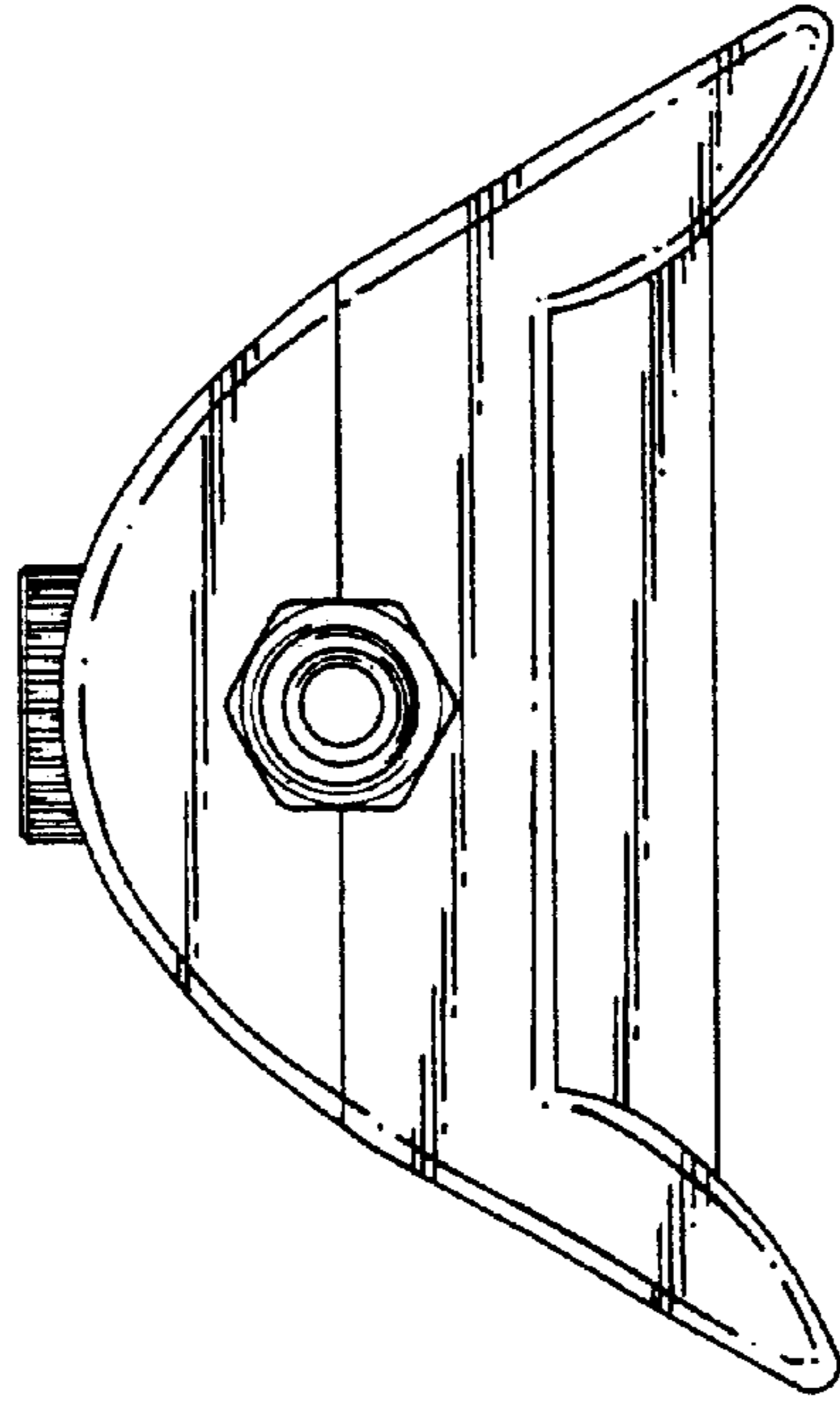


FIG. 5

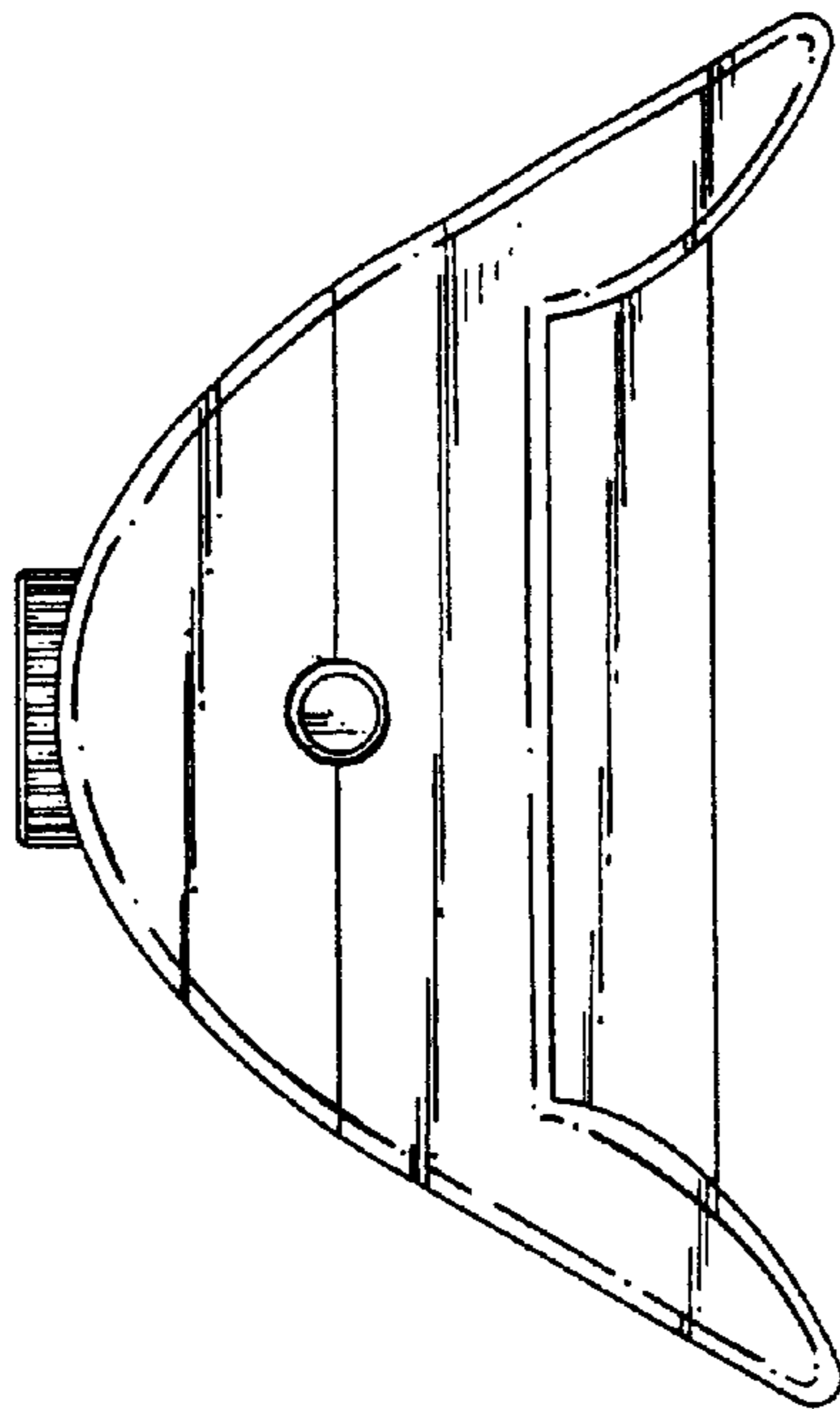


FIG. 6