



US00D440628S

(12) **United States Design Patent**
King

(10) **Patent No.:** **US D440,628 S**

(45) **Date of Patent:** **** Apr. 17, 2001**

(54) **SPRINKLER**

(75) Inventor: **Courtney A. King**, Ypsilanti, MI (US)

(73) Assignee: **Bird Brain, Inc.**, Ypsilanti, MI (US)

(**) Term: **14 Years**

(21) Appl. No.: **29/126,409**

(22) Filed: **Jul. 14, 2000**

(51) **LOC (7) Cl.** **23-01**

(52) **U.S. Cl.** **D23/214**

(58) **Field of Search** D23/213, 214,
D23/215, 217; 239/211, 567

(56) **References Cited**

U.S. PATENT DOCUMENTS

D. 225,328	*	12/1972	Margrill	D23/214
D. 390,313		2/1998	Smith	.	
D. 390,911		2/1998	Smith	.	
D. 390,912		2/1998	Smith	.	
D. 391,339		2/1998	Smith	.	
D. 403,743		1/1999	Smith	.	
D. 412,553		8/1999	Krueger	.	
D. 412,735	*	8/1999	Gleason	D23/214
D. 412,964		8/1999	Krueger	.	
D. 413,963		9/1999	Krueger	.	
D. 414,841		10/1999	Krueger	.	
D. 414,842		10/1999	Krueger	.	
D. 415,820		10/1999	Krueger	.	
D. 419,639		1/2000	Ormiston	.	
D. 423,640	*	4/2000	Stokes et al.	D23/214
D. 424,159	*	5/2000	Boccarossa et al.	D23/214
6,015,098		1/2000	Krueger	.	

OTHER PUBLICATIONS

THE GARDEN WALL, thegardenwall/glassgazing-balls.htm Jul. 25, 2000.

THE GARDEN WALL, http://home.att.net/~dreamsprayer/fish.jpg Jul. 25, 2000.

SUPERIOR COPPER FOUNTAIN COMPANY, Ephraim, Wisconsin, http://twirlingwaters.com/ Jul. 25, 2000.

SUPERIOR COPPER FOUNTAIN COMPANY, Ephraim, Wisconsin, www.twirlingwaters.com ("The Wind Gallery") Jul. 25, 2000.

* cited by examiner

Primary Examiner—Robin V. Taylor

(74) *Attorney, Agent, or Firm*—Young & Basile, P.C.

(57) **CLAIM**

The ornamental design for a sprinkler, as shown and described.

DESCRIPTION

FIG. 1 is a front elevational view of a sprinkler according to the invention;

FIG. 2 is a left side elevational view of the sprinkler of FIG. 1, the right side elevational view being identical;

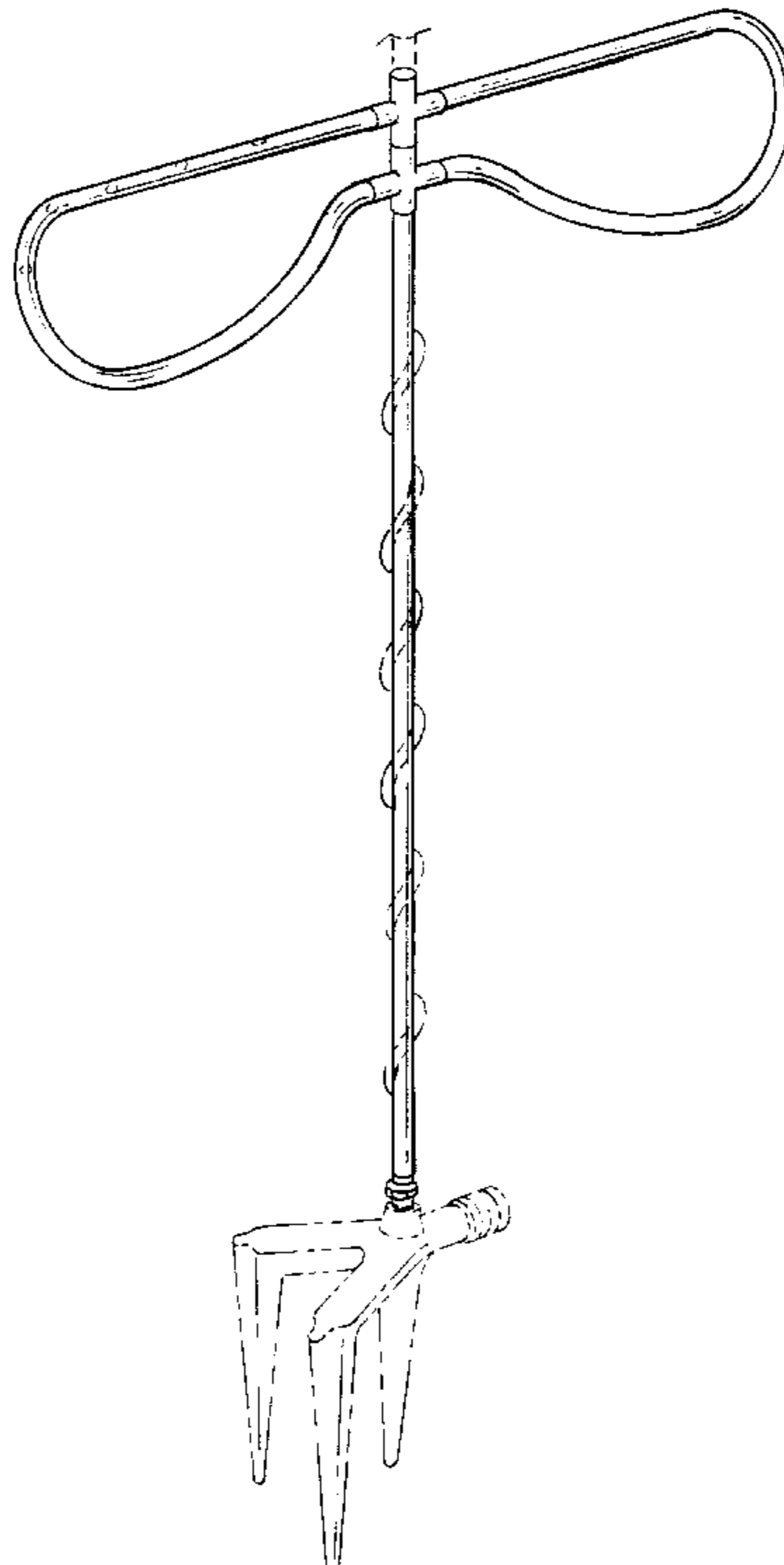
FIG. 3 is a top plan view of the sprinkler of FIG. 1;

FIG. 4 is a bottom plan view of the sprinkler of FIG. 1; and,

FIG. 5 is a perspective view of the sprinkler of FIG. 1, illustrating a mounting environment in phantom.

The broken line showing is for illustrative purposes only and forms no part of the claimed design.

1 Claim, 2 Drawing Sheets



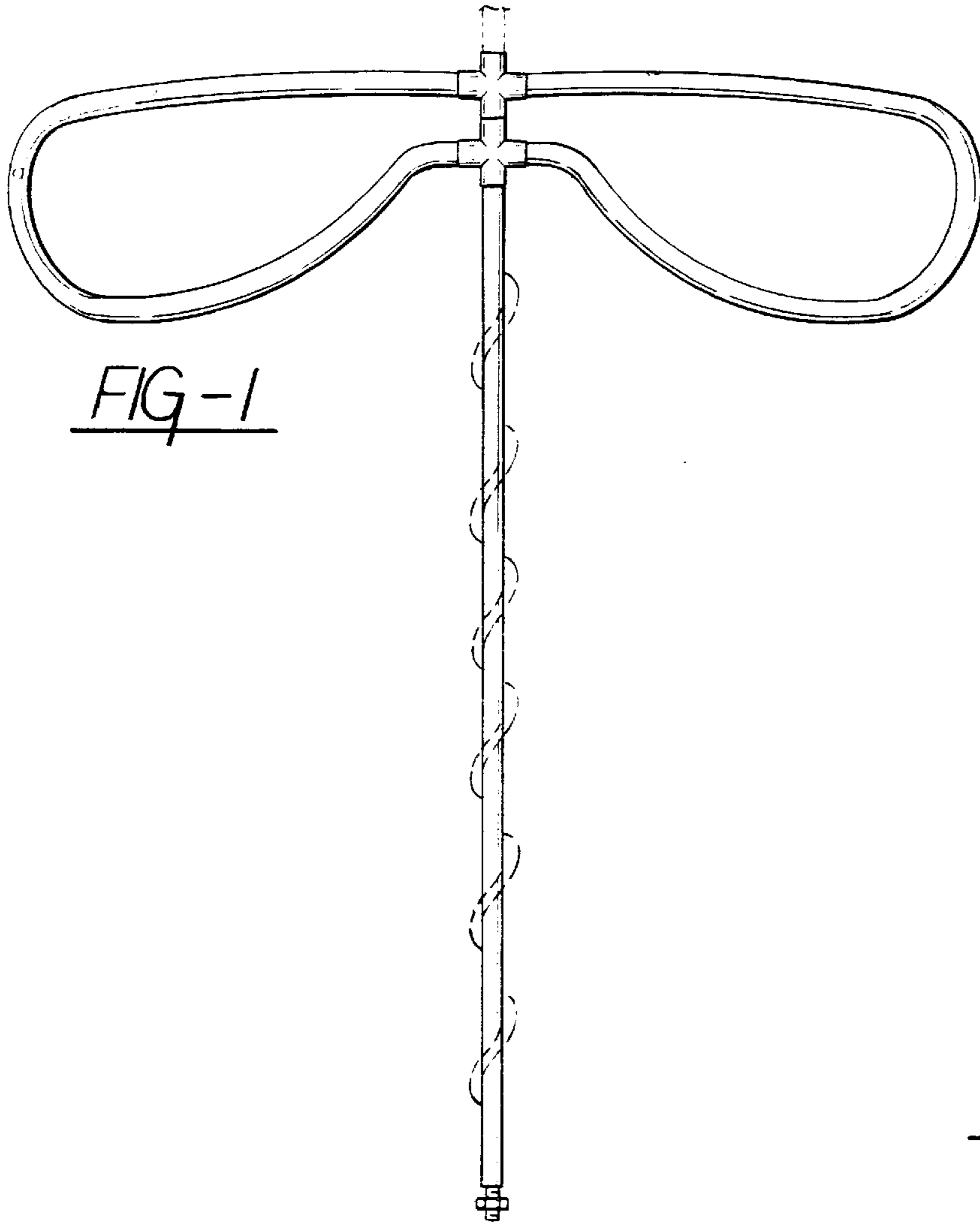


FIG-1



FIG-2

FIG-3



FIG-4



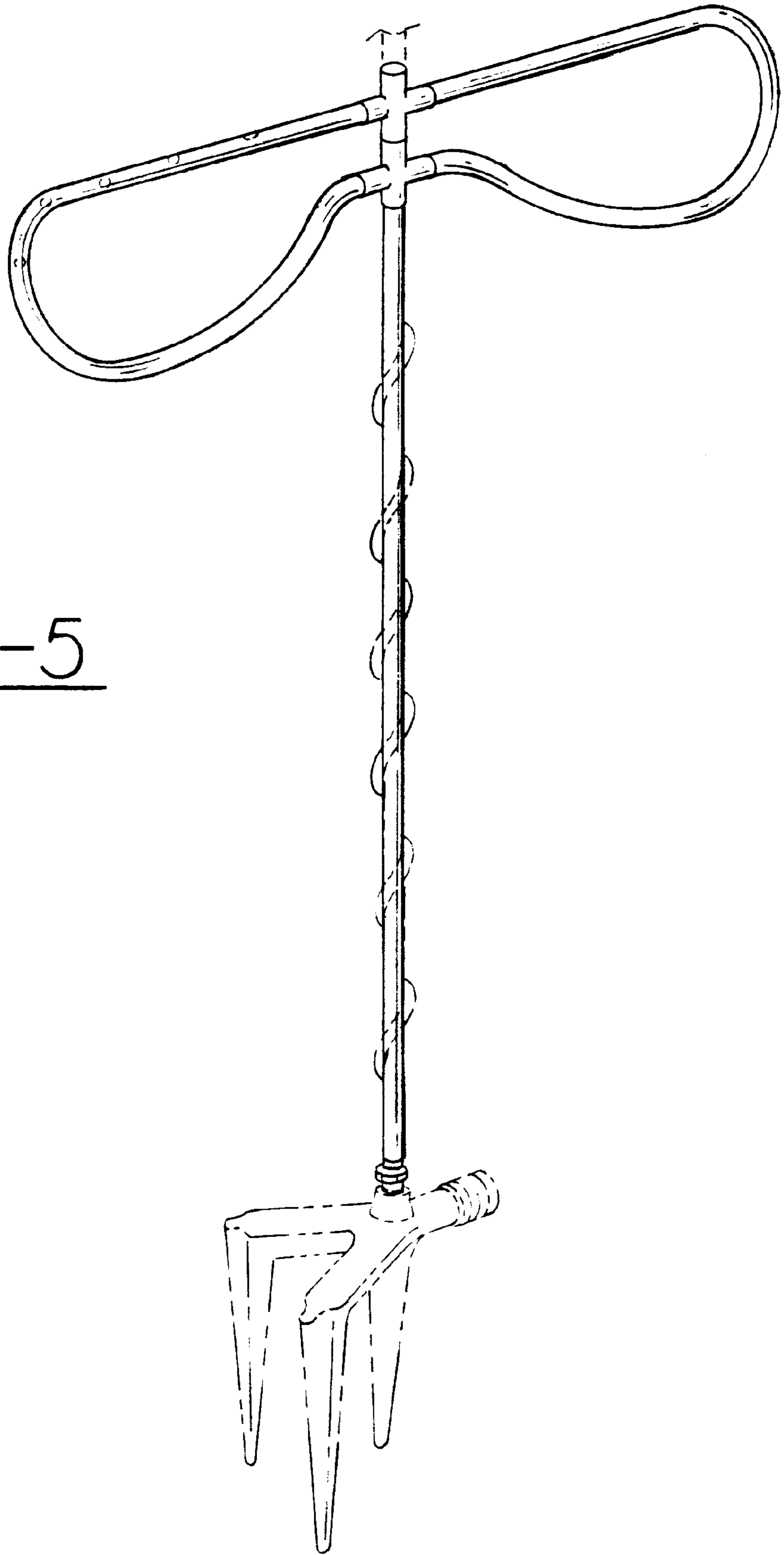


FIG-5