



US00D440625S

(12) **United States Design Patent**
Cook, Jr.

(10) **Patent No.:** **US D440,625 S**

(45) **Date of Patent:** **** Apr. 17, 2001**

(54) **FIREARM SUPPORT**

(76) Inventor: **Cecil Eugene Cook, Jr.**, 7660 Stormy
La., Northport, AL (US) 35473

(**) Term: **14 Years**

(21) Appl. No.: **29/120,700**

(22) Filed: **Mar. 27, 2000**

(51) **LOC (7) Cl.** **22-01**

(52) **U.S. Cl.** **D22/108**

(58) **Field of Search** D22/108; D6/567;
211/64; 42/94; 89/37.04; D8/380, 381

(56) **References Cited**

U.S. PATENT DOCUMENTS

4,799,324	*	1/1989	Nodo	42/94
4,972,619	*	11/1990	Eckert	42/94
4,998,944	*	3/1991	Lund	42/94
5,056,410		10/1991	Pitts	.	
5,070,636	*	12/1991	Mueller	42/94
5,081,783	*	1/1992	Jarvis	42/94
5,715,624		2/1998	Hilbelink et al.	.	
5,811,720	*	9/1998	Quinnell et al.	42/94 X
5,933,999		8/1999	McClure et al.	.	
5,964,435		10/1999	Peltier	.	
6,016,620		1/2000	Morgan	.	

* cited by examiner

Primary Examiner—Louis S. Zarfaz

Assistant Examiner—Monica A. Weingart

(74) *Attorney, Agent, or Firm*—Robert J. Veal; Christopher
A. Holland; Burr & Forman LLP

(57) **CLAIM**

The ornamental design for the firearm support, as shown and
described.

DESCRIPTION

FIG. 1 is a top front perspective view of a firearm support
showing my design;

FIG. 2 is a top rear perspective view thereof;

FIG. 3 is a bottom front perspective view thereof;

FIG. 4 is a bottom rear perspective view thereof;

FIG. 5 is a side elevational view, the side not shown being
a mirror image of the side shown;

FIG. 6 is a top plan view thereof;

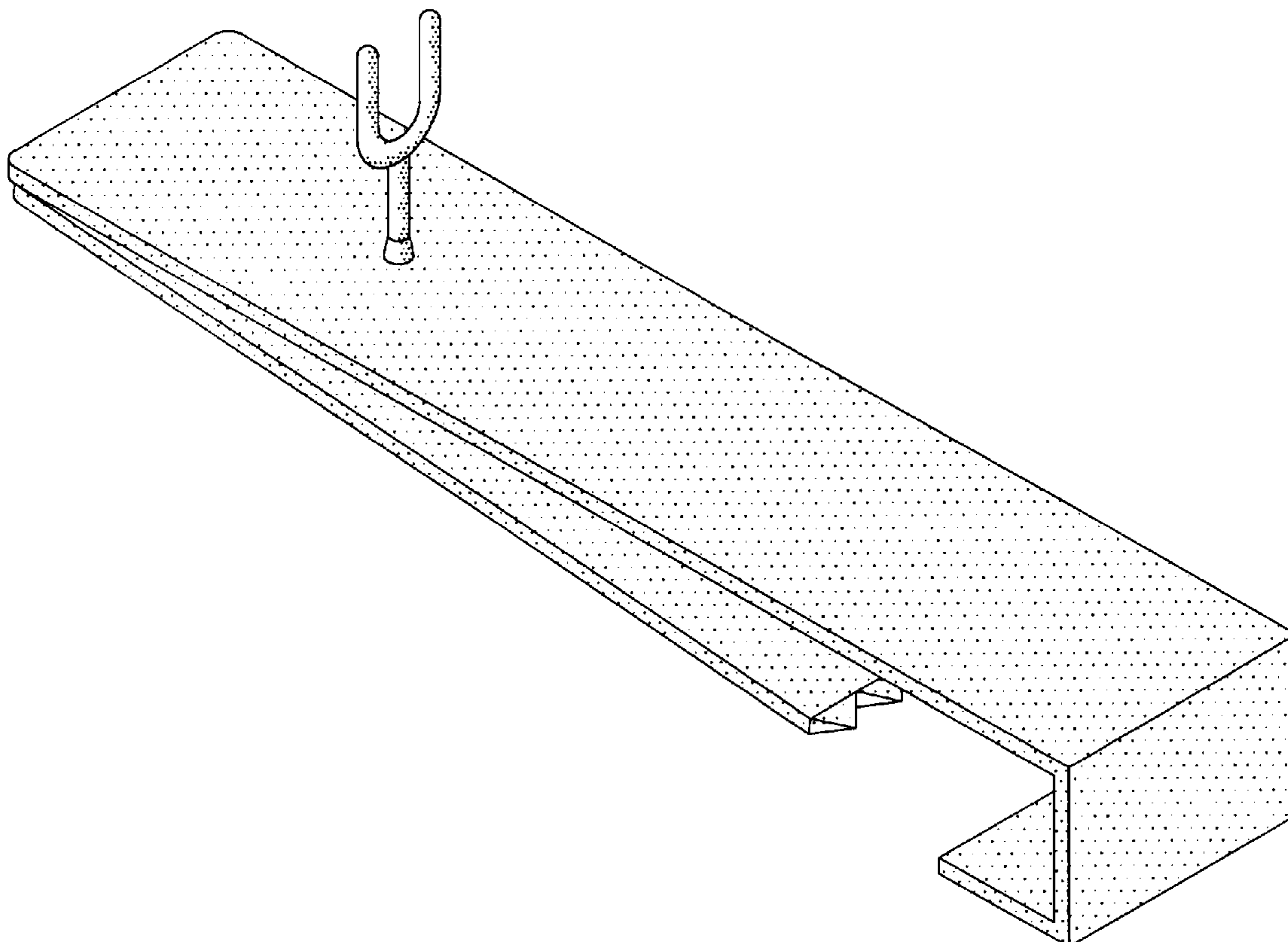
FIG. 7 is a bottom view thereof;

FIG. 8 is a rear elevational view thereof;

FIG. 9 is a front elevational view thereof; and,

FIG. 10 is a side elevational view of the present invention
with a firearm and brace structure shown in broken lines to
illustrate environment and forming no part of the claimed
design thereof.

1 Claim, 4 Drawing Sheets



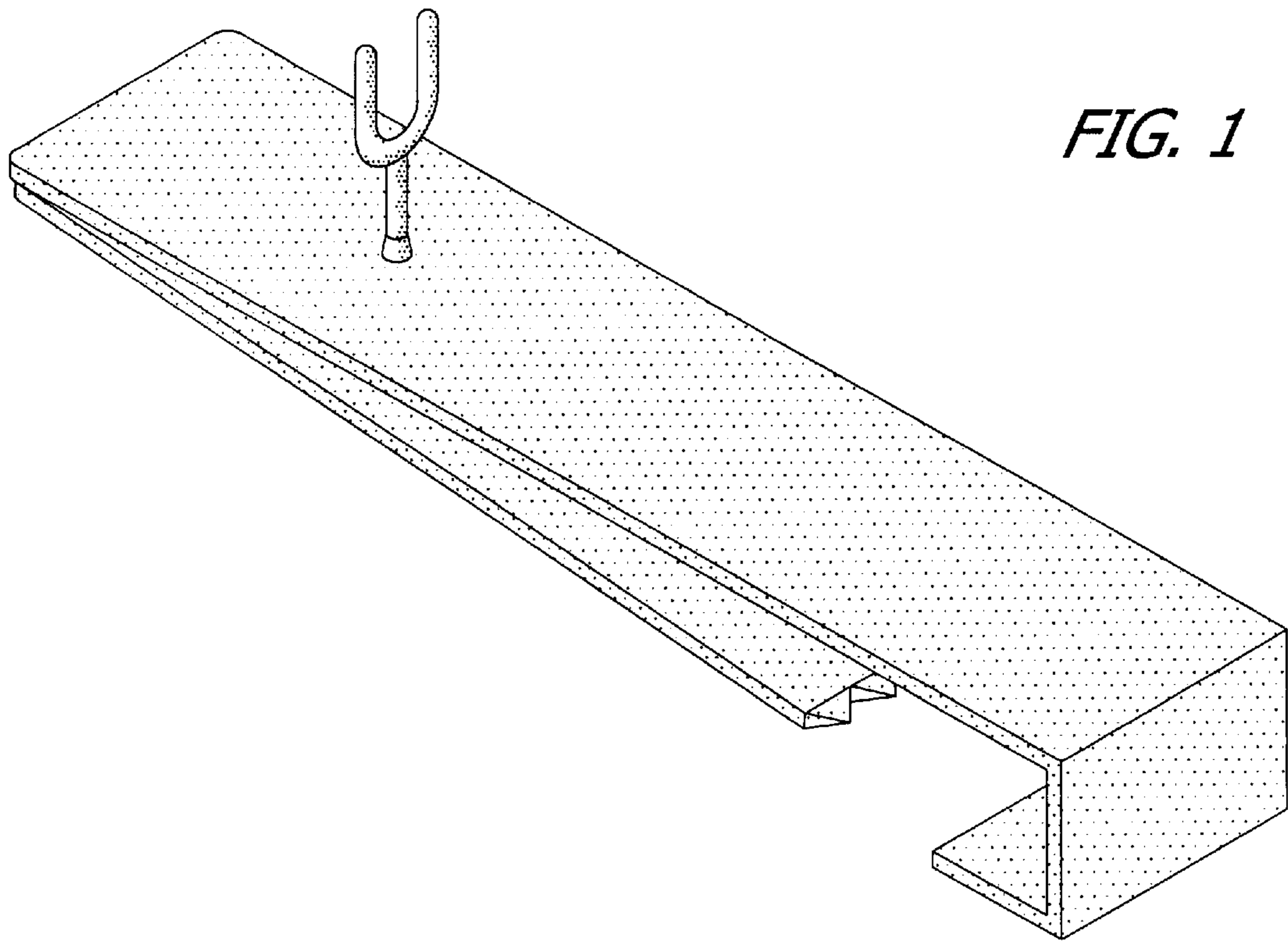


FIG. 1

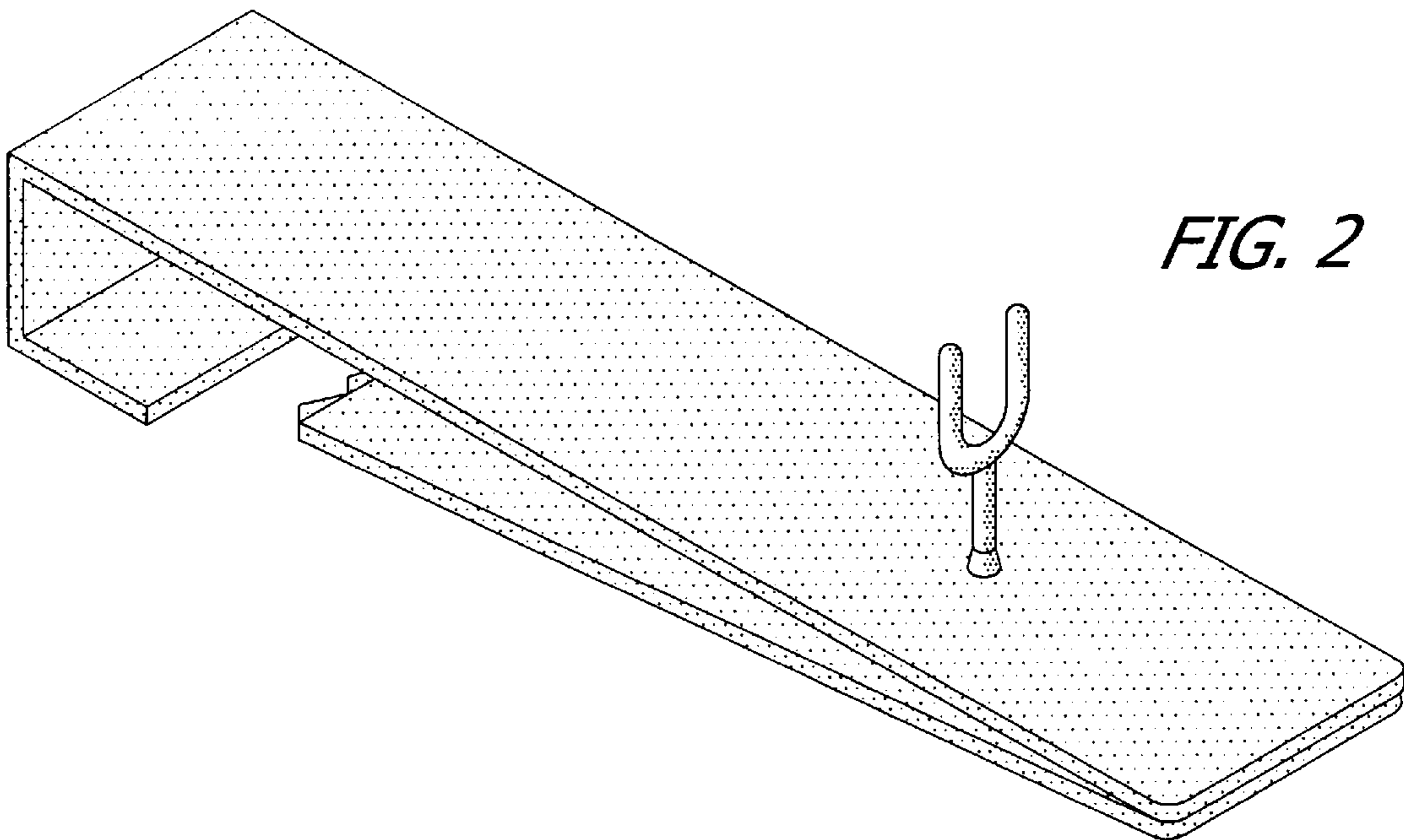


FIG. 2

FIG. 3

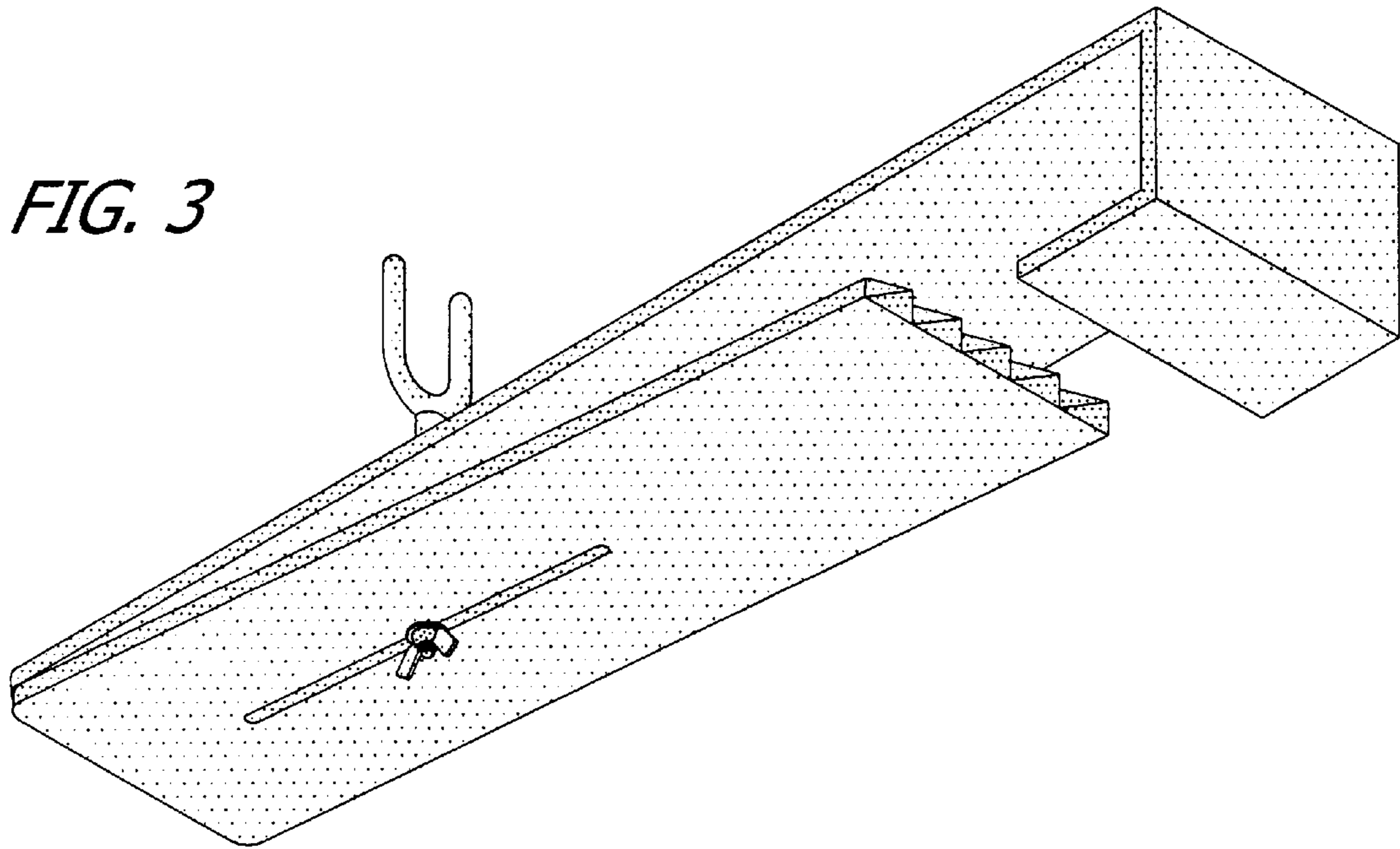
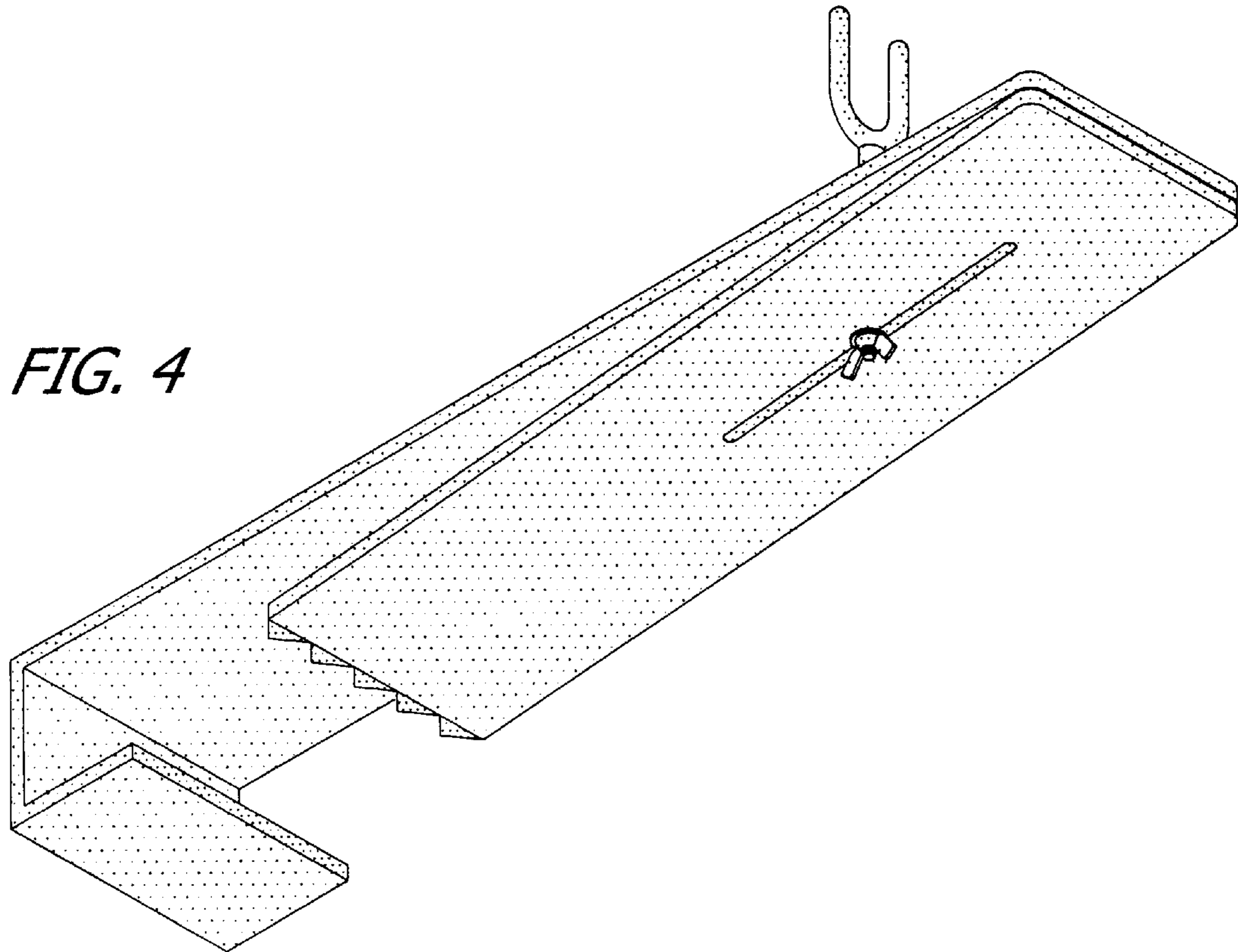


FIG. 4



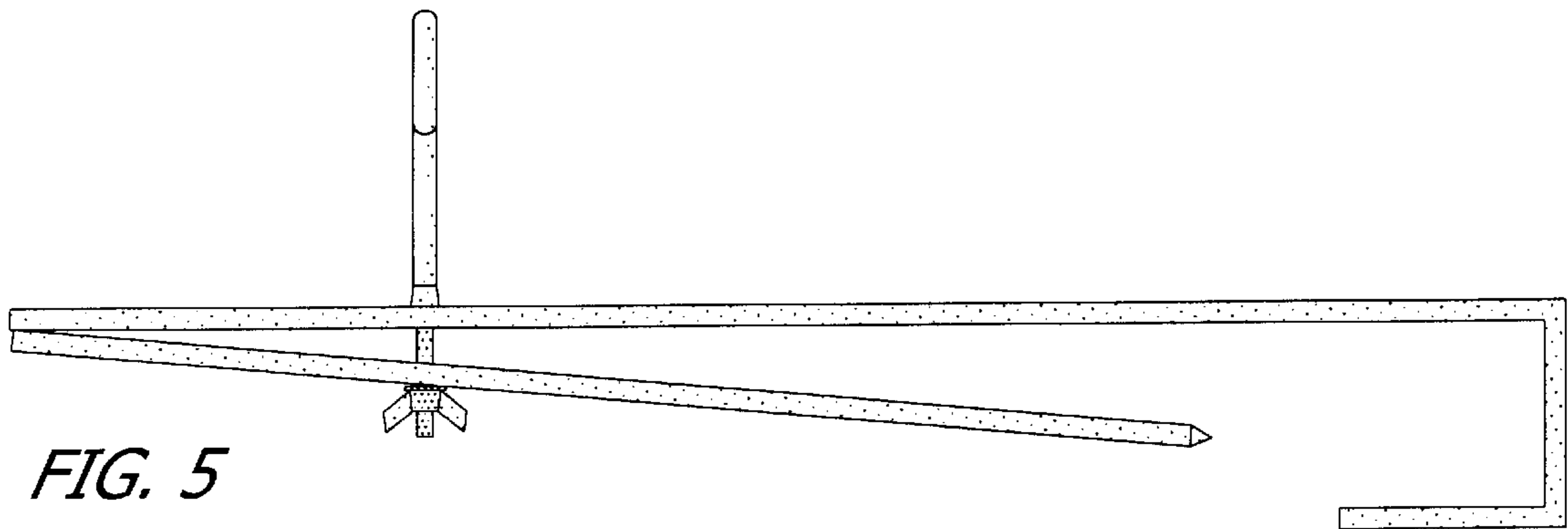


FIG. 5

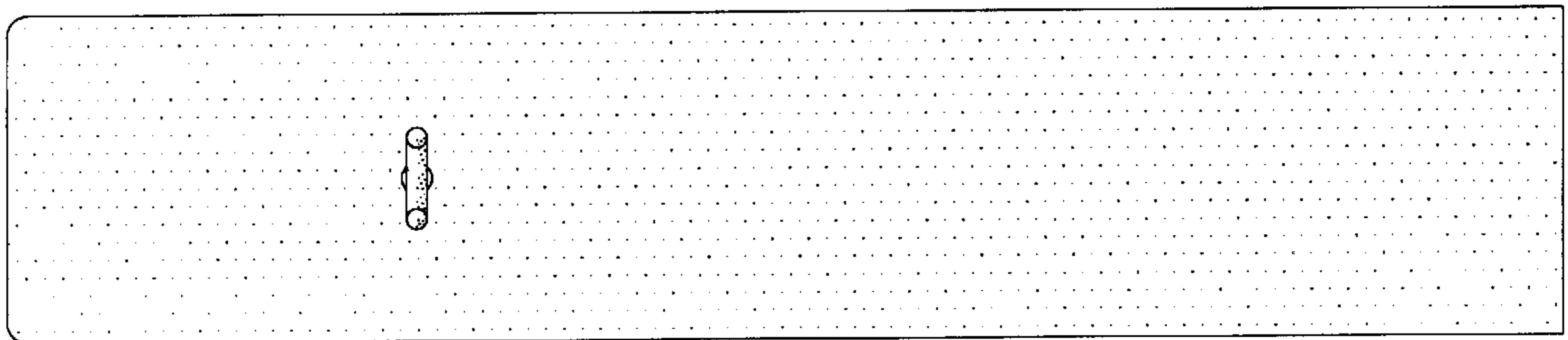


FIG. 6

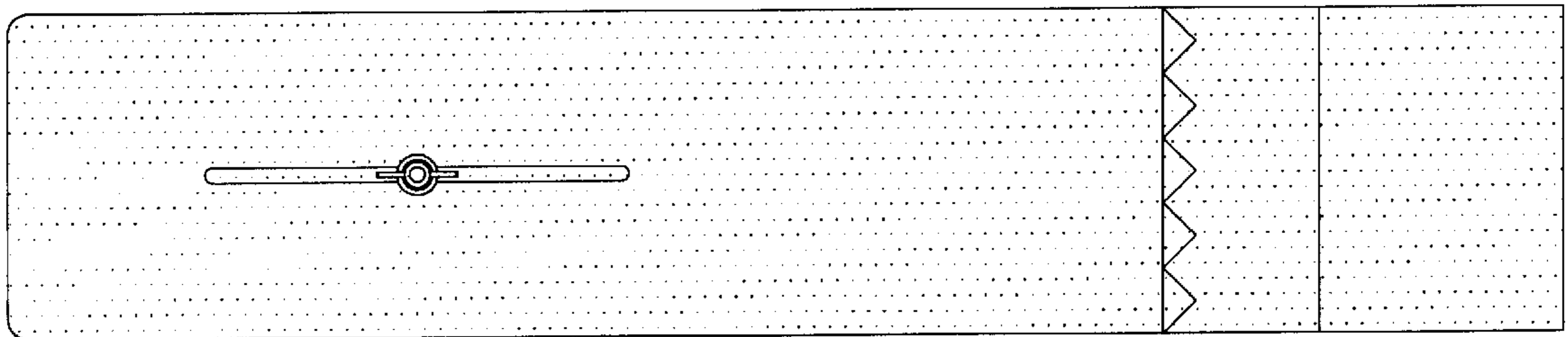


FIG. 7

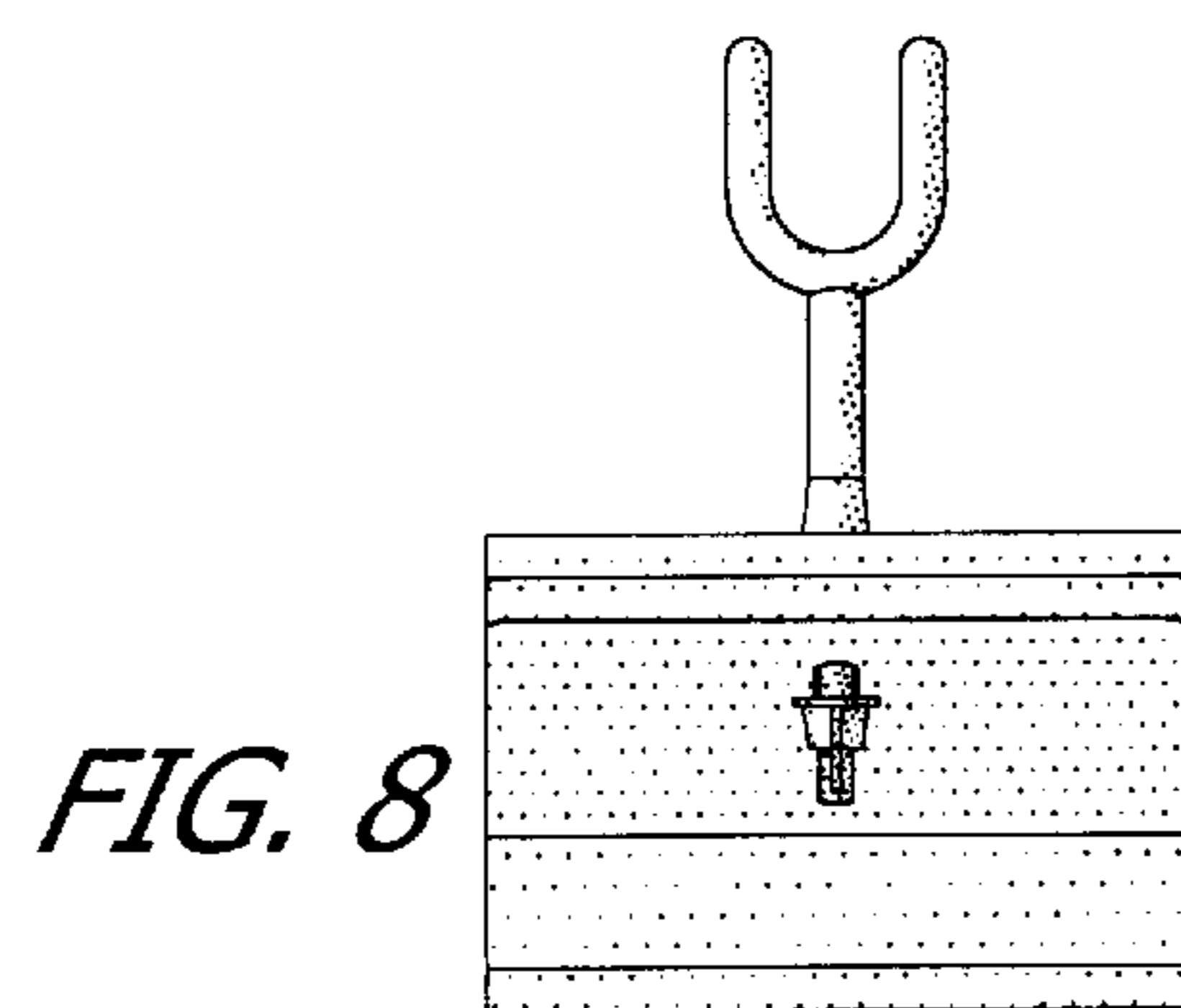


FIG. 8

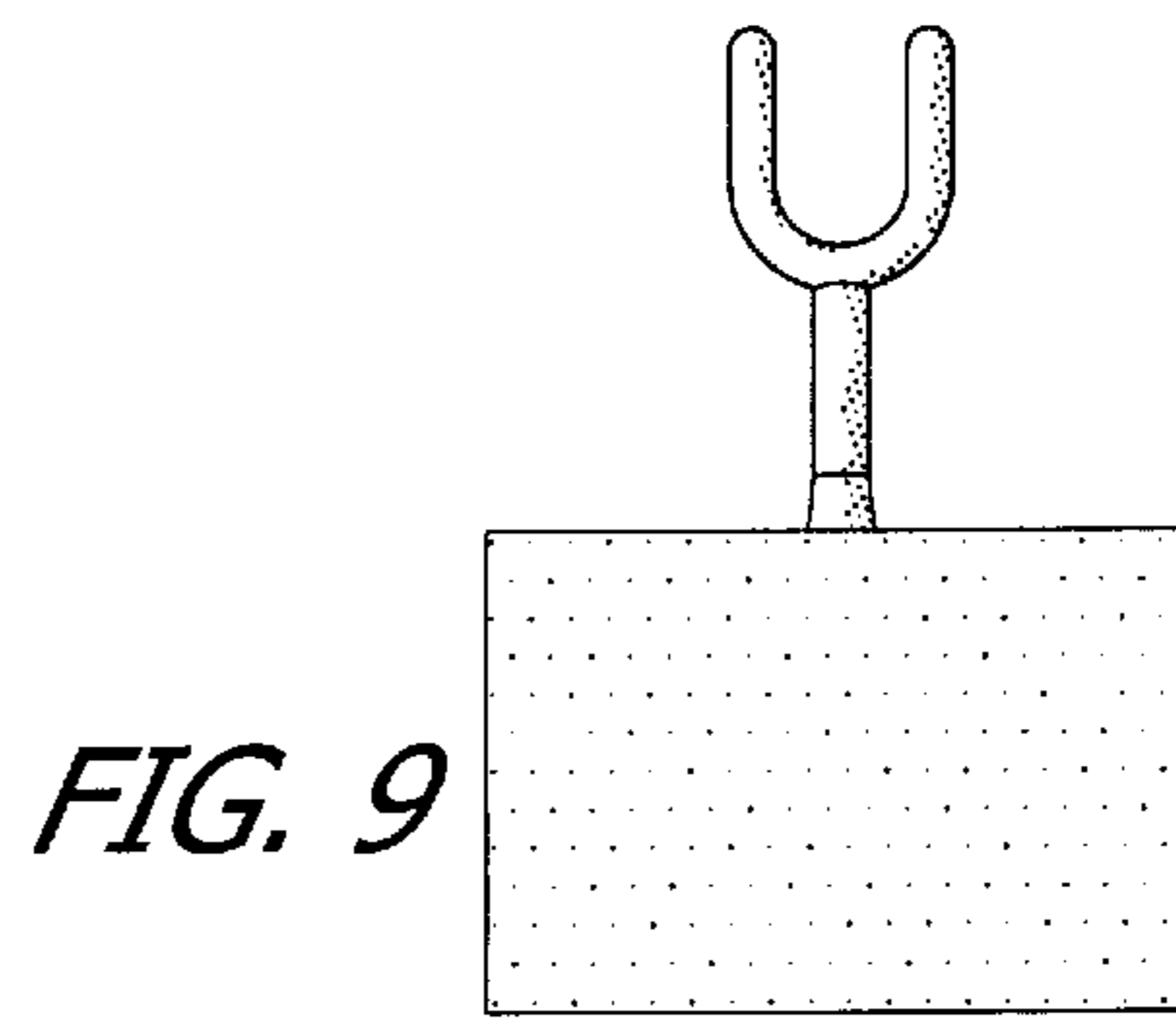


FIG. 9

FIG. 10

