



US00D440624S

(12) **United States Design Patent**
Case

(10) **Patent No.:** **US D440,624 S**

(45) **Date of Patent:** **** Apr. 17, 2001**

(54) **ARCHERY BOW MOUNTED FLASHLIGHT HOLDER**

2,588,772 * 3/1952 Sill 362/190
4,528,622 * 7/1985 Bacevius 362/190 X
6,056,414 * 5/2000 Krieger 362/190 X

(76) **Inventor:** **Loyd W. Case**, 1468 New Castle Dr.,
Davison, MI (US) 48423

* cited by examiner

(**) **Term:** **14 Years**

Primary Examiner—James Gandy
Assistant Examiner—Monica A. Weingart

(21) **Appl. No.:** **29/124,792**

(57) **CLAIM**

(22) **Filed:** **Jun. 12, 2000**

The ornamental design for a archery bow mounted flashlight holder, as shown.

(51) **LOC (7) Cl.** **22-01**

DESCRIPTION

(52) **U.S. Cl.** **D22/107; D22/199; D26/38**

(58) **Field of Search** D22/100, 107,
D22/199; 124/86, 88, 1, 80; D26/38; D8/349,
355, 396; 362/103, 108, 190, 191, 382,
247

FIG. 1 is a perspective view of a archery bow mounted flashlight holder showing my new design;
FIG. 2 is a first side elevational view thereof;
FIG. 3 is a second side elevational view as seen 90 degrees from that of FIG. 2;
FIG. 4 is a third side elevational view as seen 180 degrees from that of FIG. 2,
FIG. 5 is a fourth side elevational view as seen 180 degrees from that of FIG. 3;
FIG. 6 is a top plan view thereof; and,
FIG. 7 is a bottom plan view thereof.

(56) **References Cited**

U.S. PATENT DOCUMENTS

1,262,270 * 4/1918 Schmidt et al. 362/191
1,403,378 * 1/1922 Bason 362/103 X
1,527,479 * 2/1925 Hauenstein 362/247 X
1,718,316 * 6/1929 Swenson 362/382 X
2,506,685 * 5/1950 Sadloski et al. 362/108

1 Claim, 2 Drawing Sheets

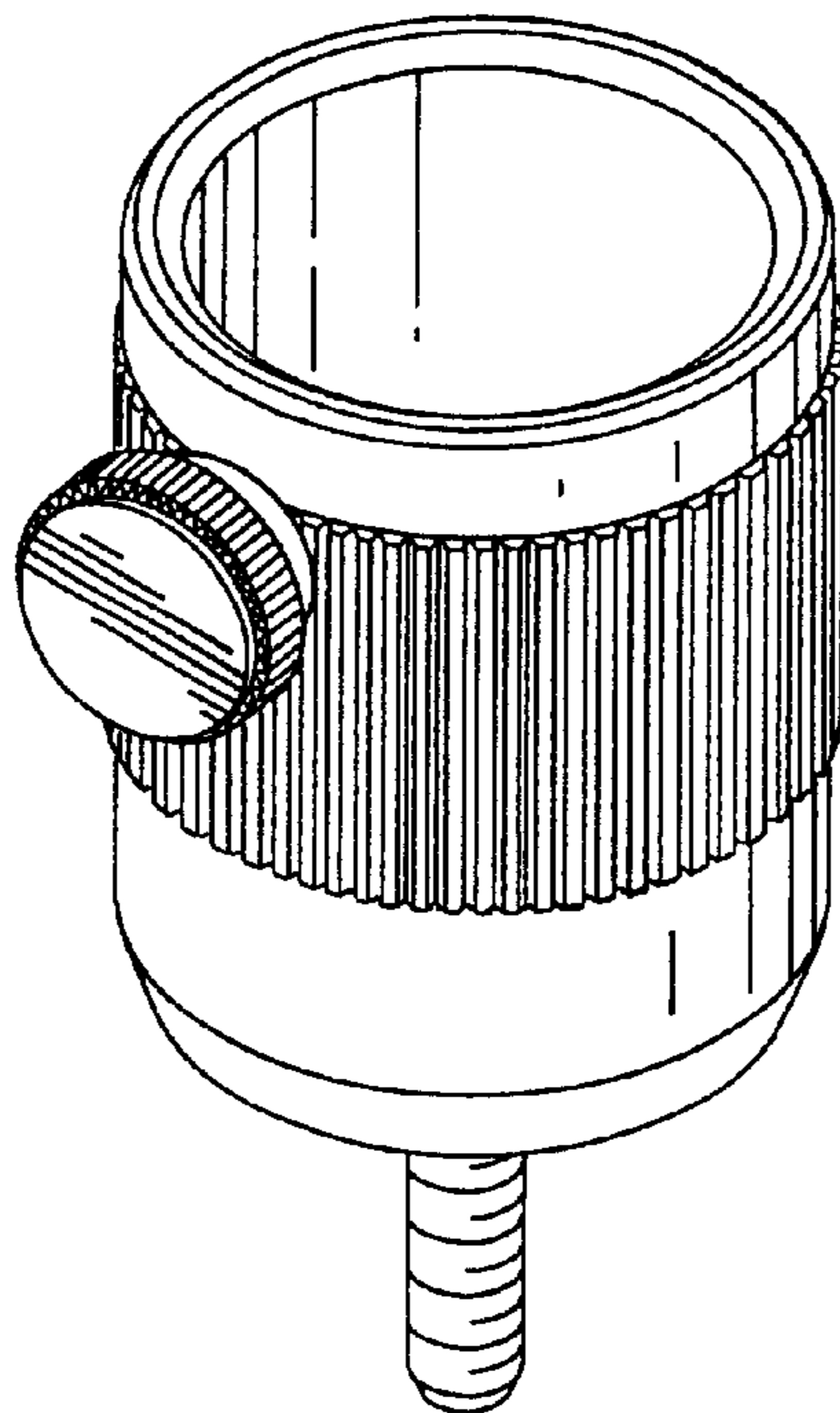


FIG 1

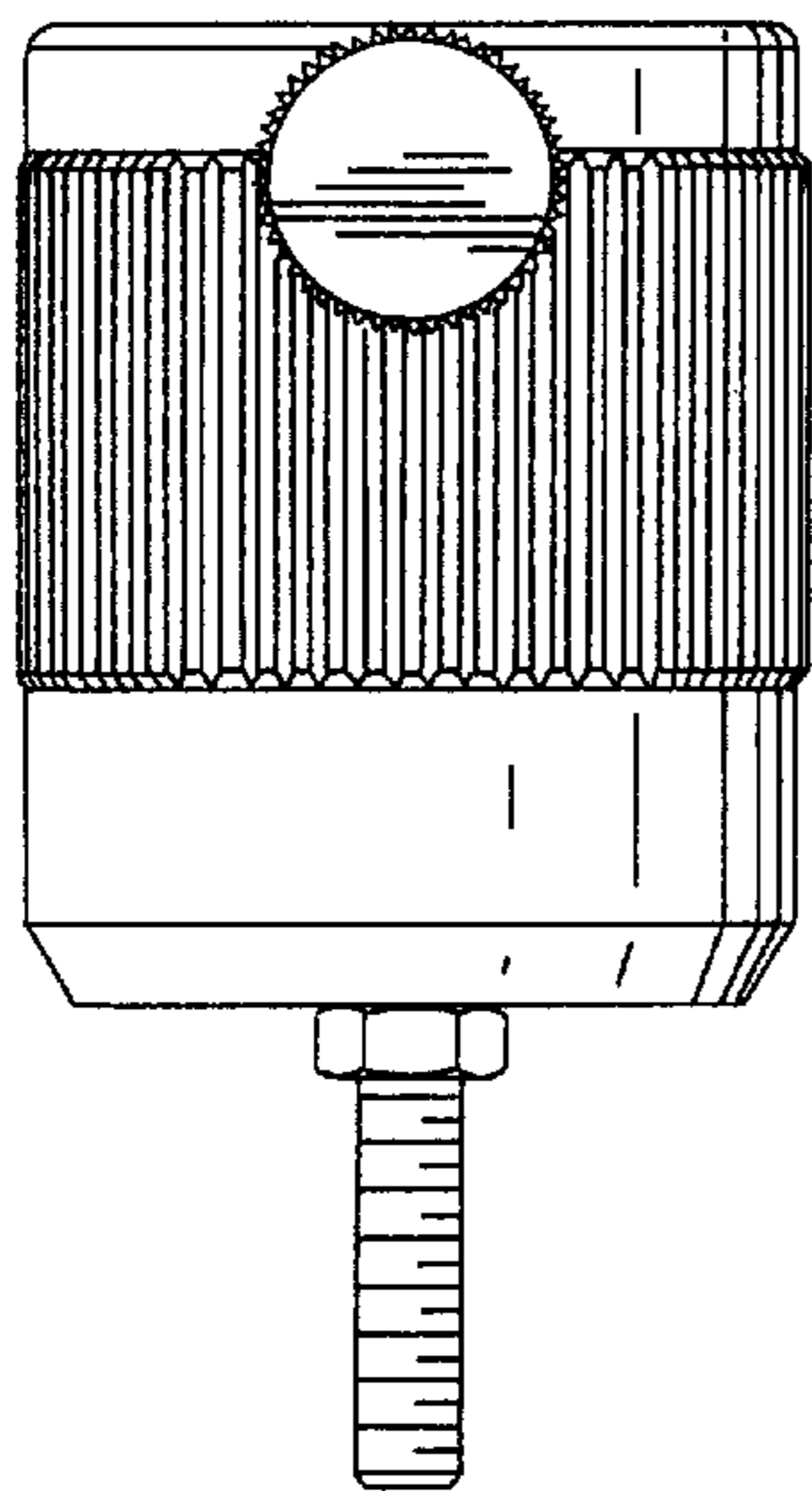
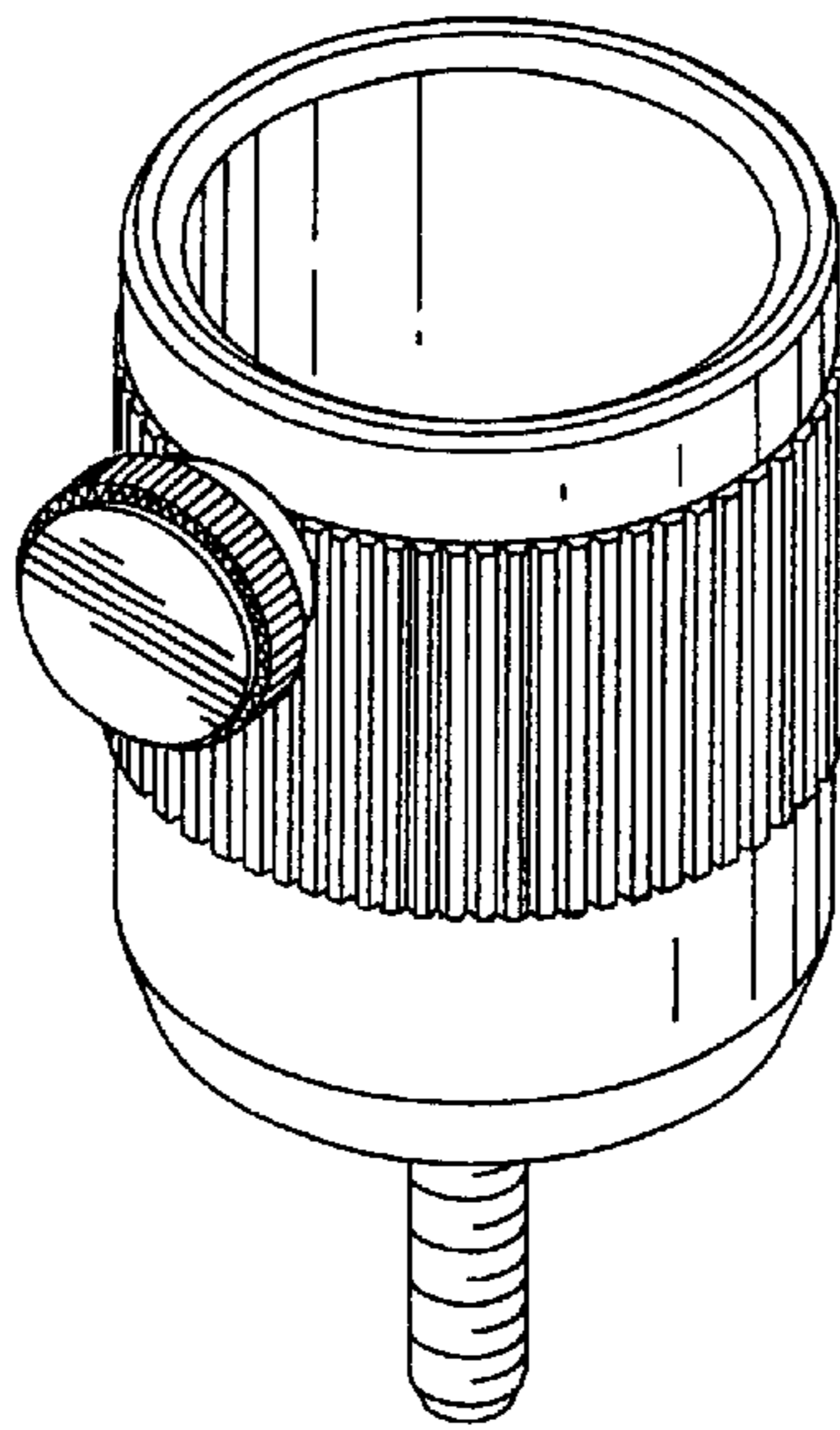


FIG 2

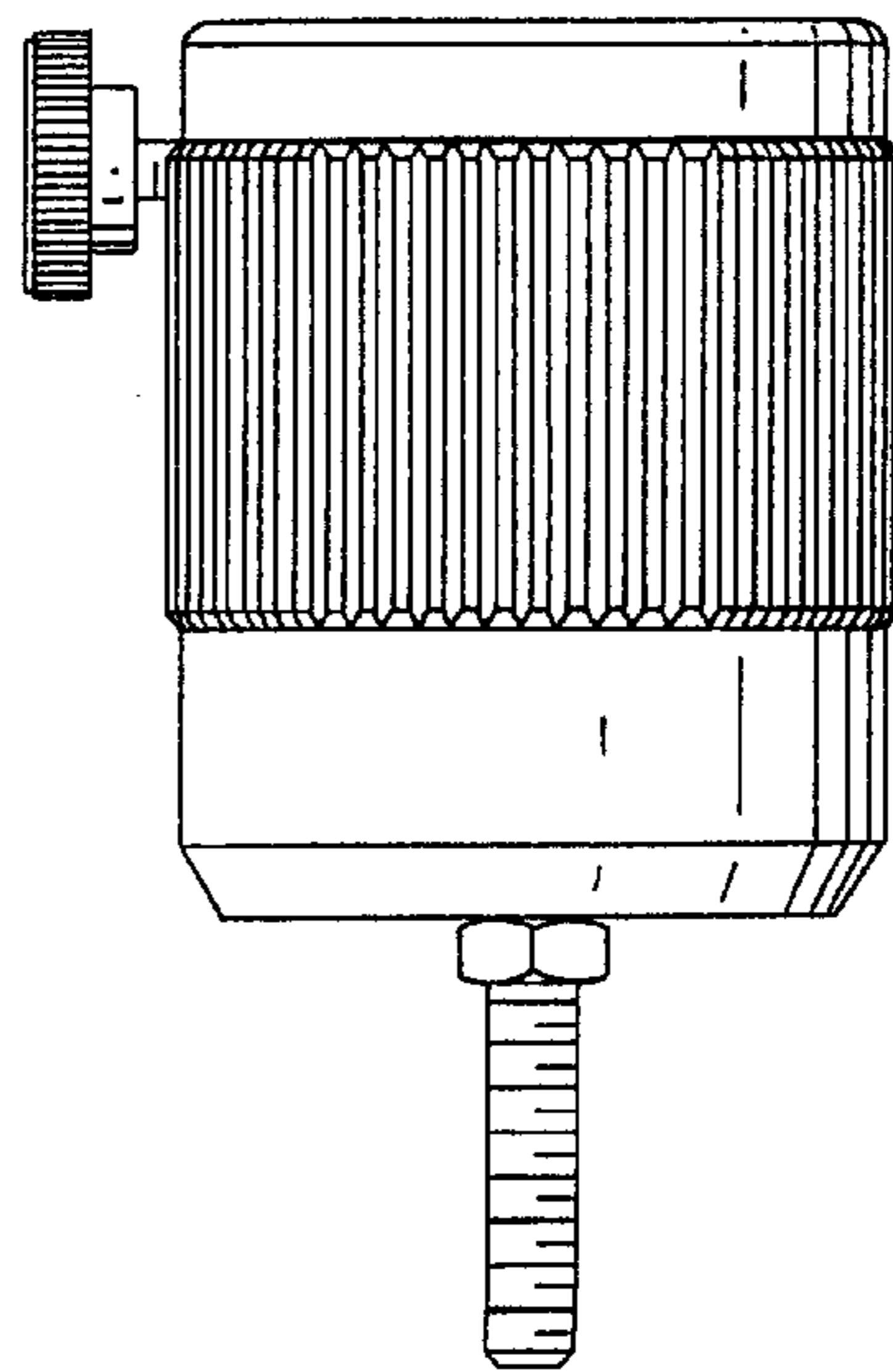


FIG 3

