



US00D440623S

(12) **United States Design Patent**
Gardner et al.

(10) **Patent No.:** **US D440,623 S**

(45) **Date of Patent:** **** Apr. 17, 2001**

(54) **PLAY SYSTEM**

(75) Inventors: **Michael Gardner; Klaudia Gardner,**
both of Hudson, OH (US)

(73) Assignee: **DinoGym Playsystems, Inc.,** Hudson,
OH (US)

(**) Term: **14 Years**

(21) Appl. No.: **29/107,387**

(22) Filed: **Jul. 2, 1999**

(51) **LOC (7) Cl.** **21-03**

(52) **U.S. Cl.** **D21/827; D21/818; D21/823**

(58) **Field of Search** D21/818, 820,
D21/822, 823, 825-827, 831, 832; 482/35,
36; 472/116, 117, 130

(56) **References Cited**

U.S. PATENT DOCUMENTS

D. 271,037	*	10/1983	Gordon	D21/822
D. 274,450	*	6/1984	Gordon	D21/822
D. 357,300	*	4/1995	Maynard	D21/820
D. 360,927	*	8/1995	VanDeusen	D21/827
D. 361,116	*	8/1995	Shaneour	D21/826

* cited by examiner

Primary Examiner—Mitchell Siegel

(74) *Attorney, Agent, or Firm*—Renner, Otto, Boisselle &
Sklar, LLP

(57) **CLAIM**

We claim the ornamental design for a play system, as shown
and described.

DESCRIPTION

FIG. 1 is a perspective view of a play system, the front-left
portion thereof being in the foreground, showing our new
design;

FIG. 2 is a perspective view thereof, the rear-left portion
thereof being shown in the foreground;

FIG. 3 is a perspective view thereof, front-right portion
thereof being shown in the foreground;

FIG. 4 is a perspective view thereof, the rear-right portion
thereof being shown in the foreground;

FIG. 5 is a left side elevational view thereof;

FIG. 6 is a front elevational view thereof;

FIG. 7 is a right side elevational view thereof;

FIG. 8 is a rear elevational view thereof;

FIG. 9 is a top plan view thereof; and,

FIG. 10 is a bottom plan view thereof.

1 Claim, 10 Drawing Sheets

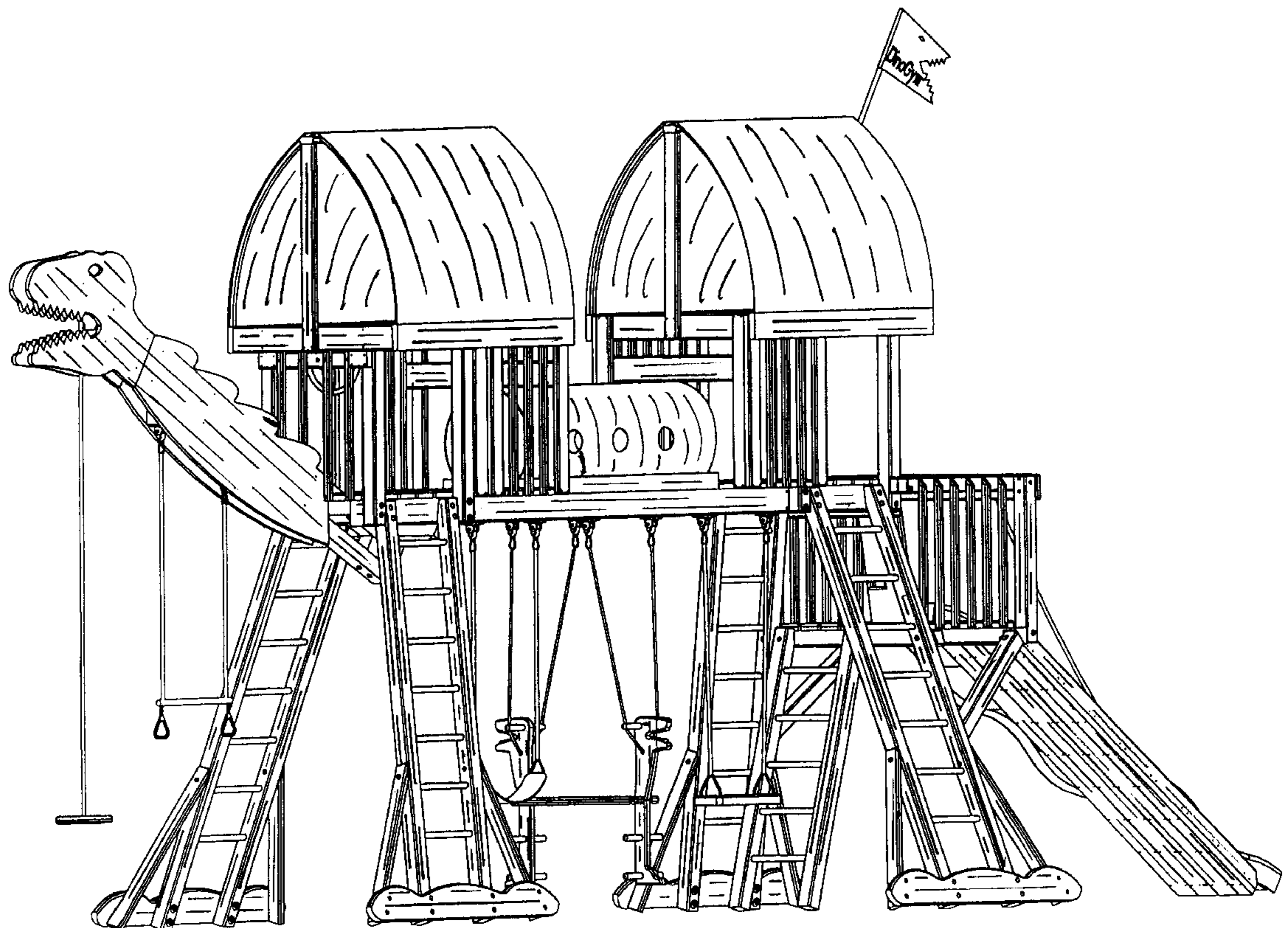


Fig. 1

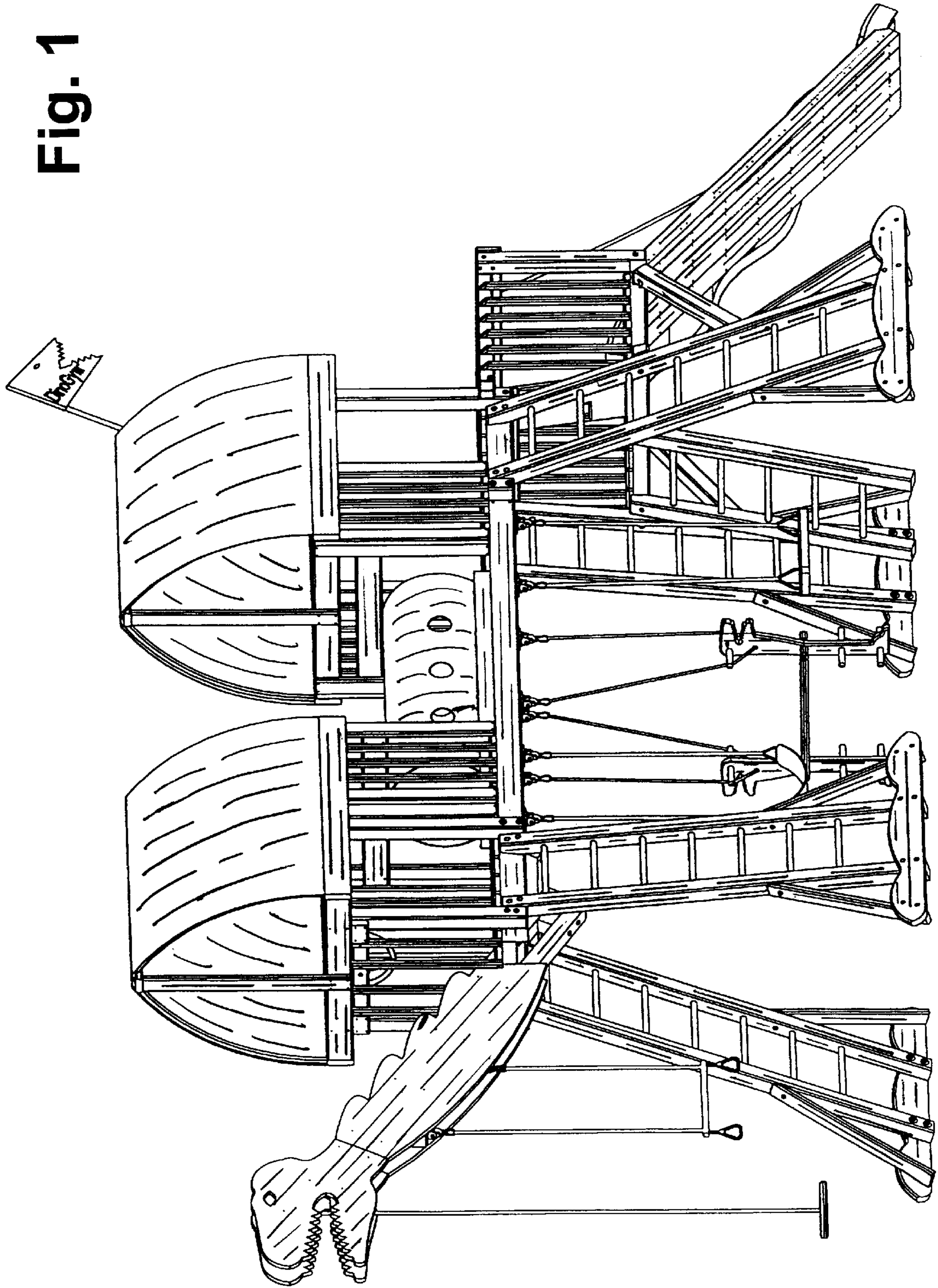


Fig. 2

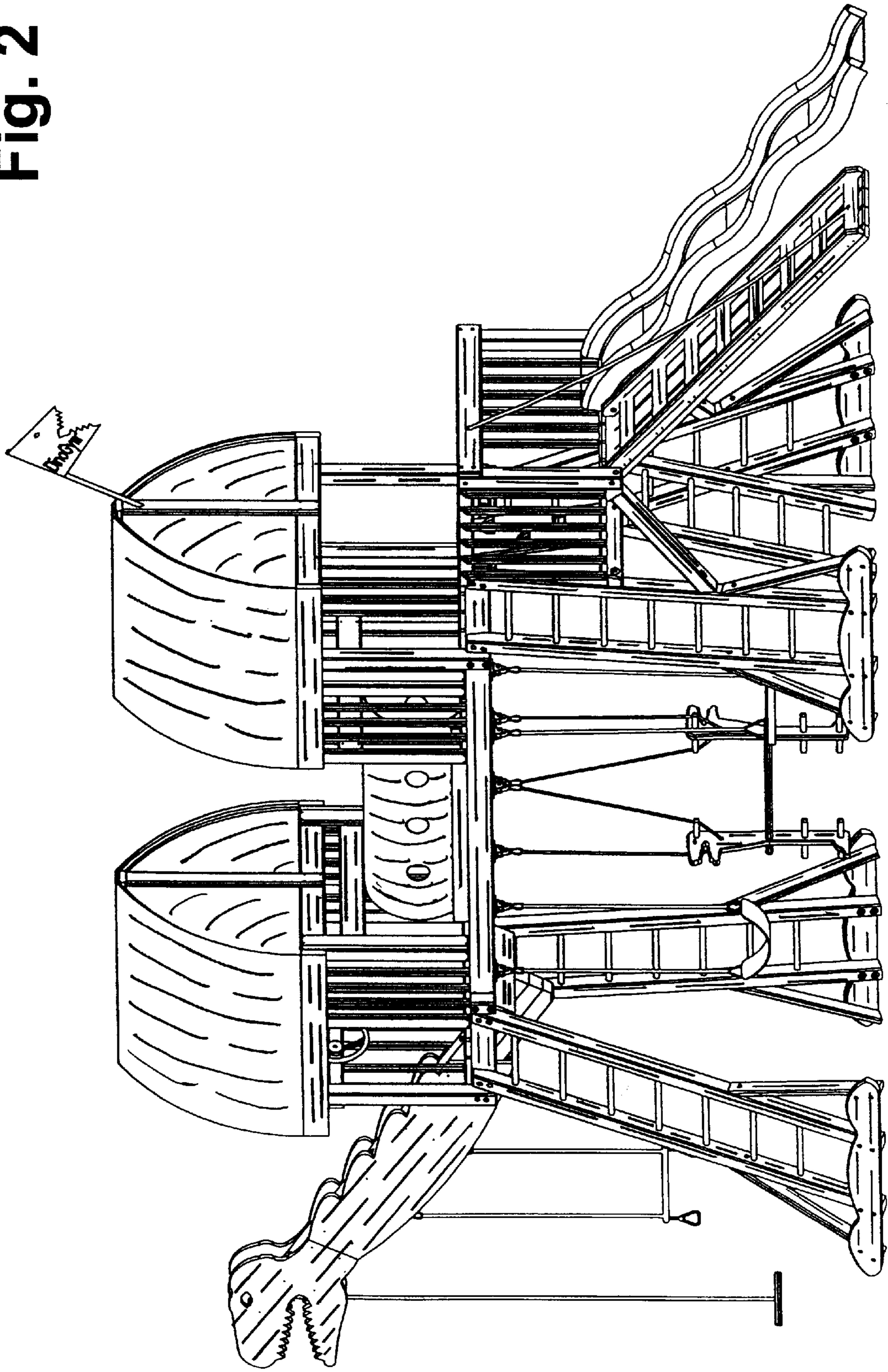


Fig. 3

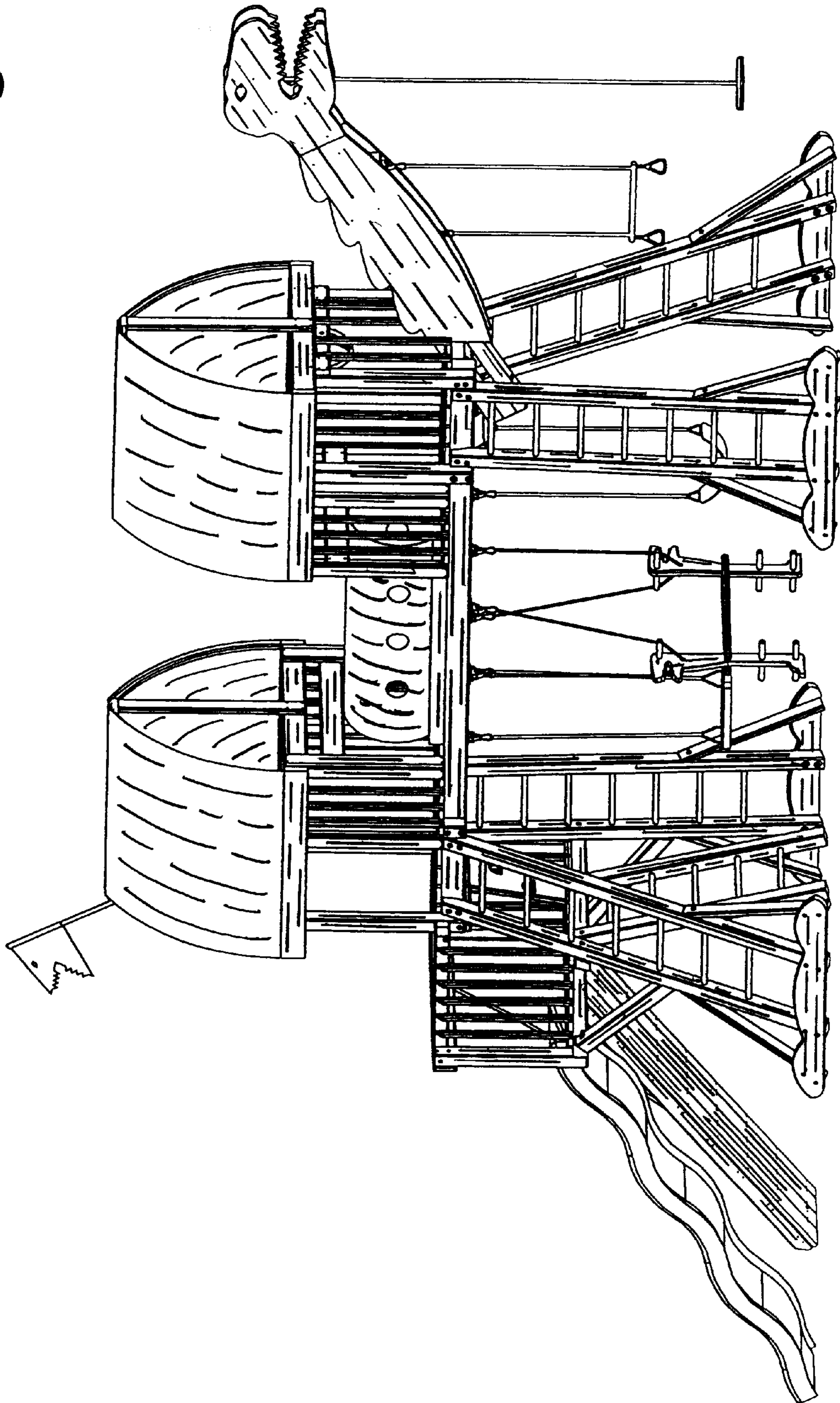


Fig. 4

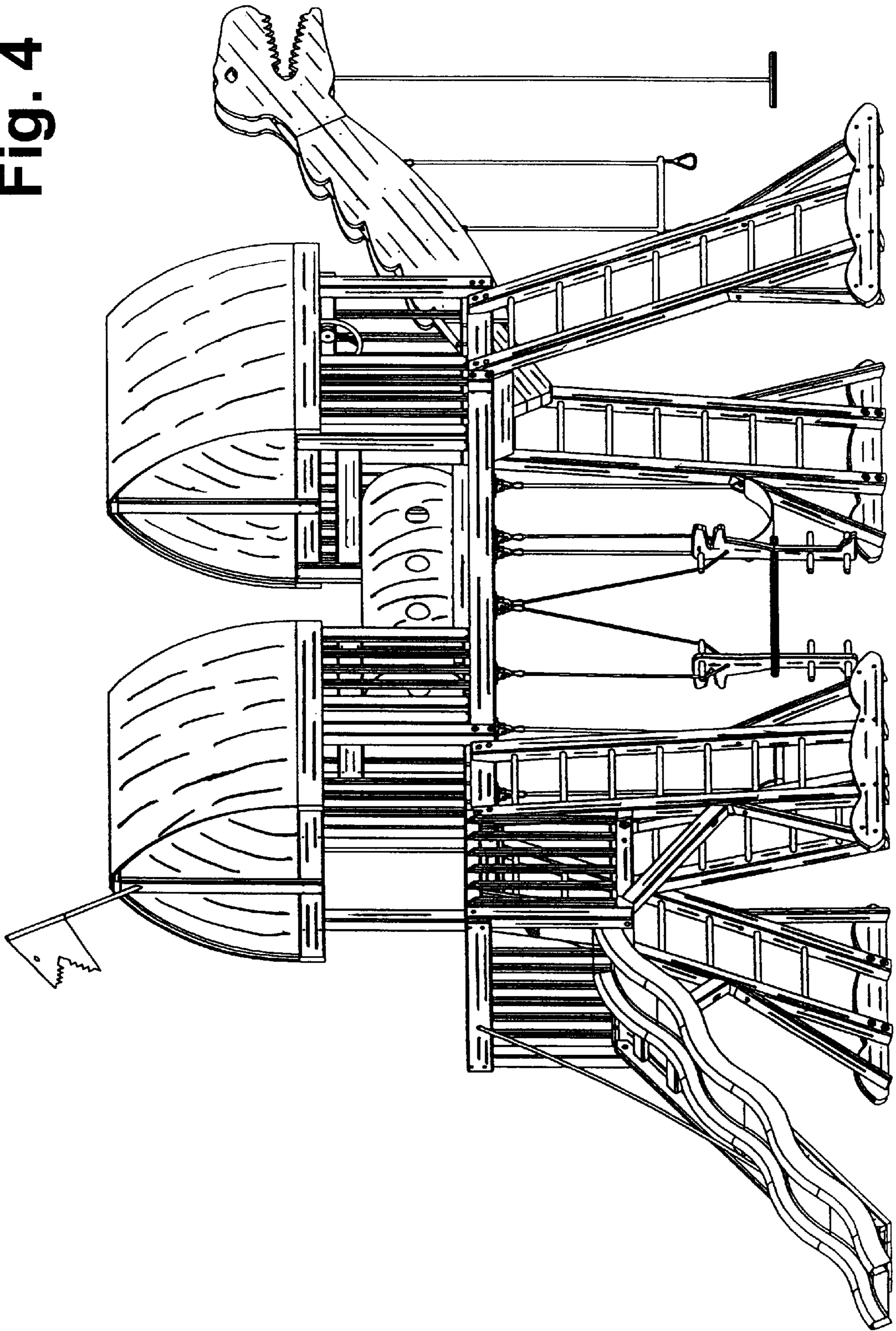


Fig. 5

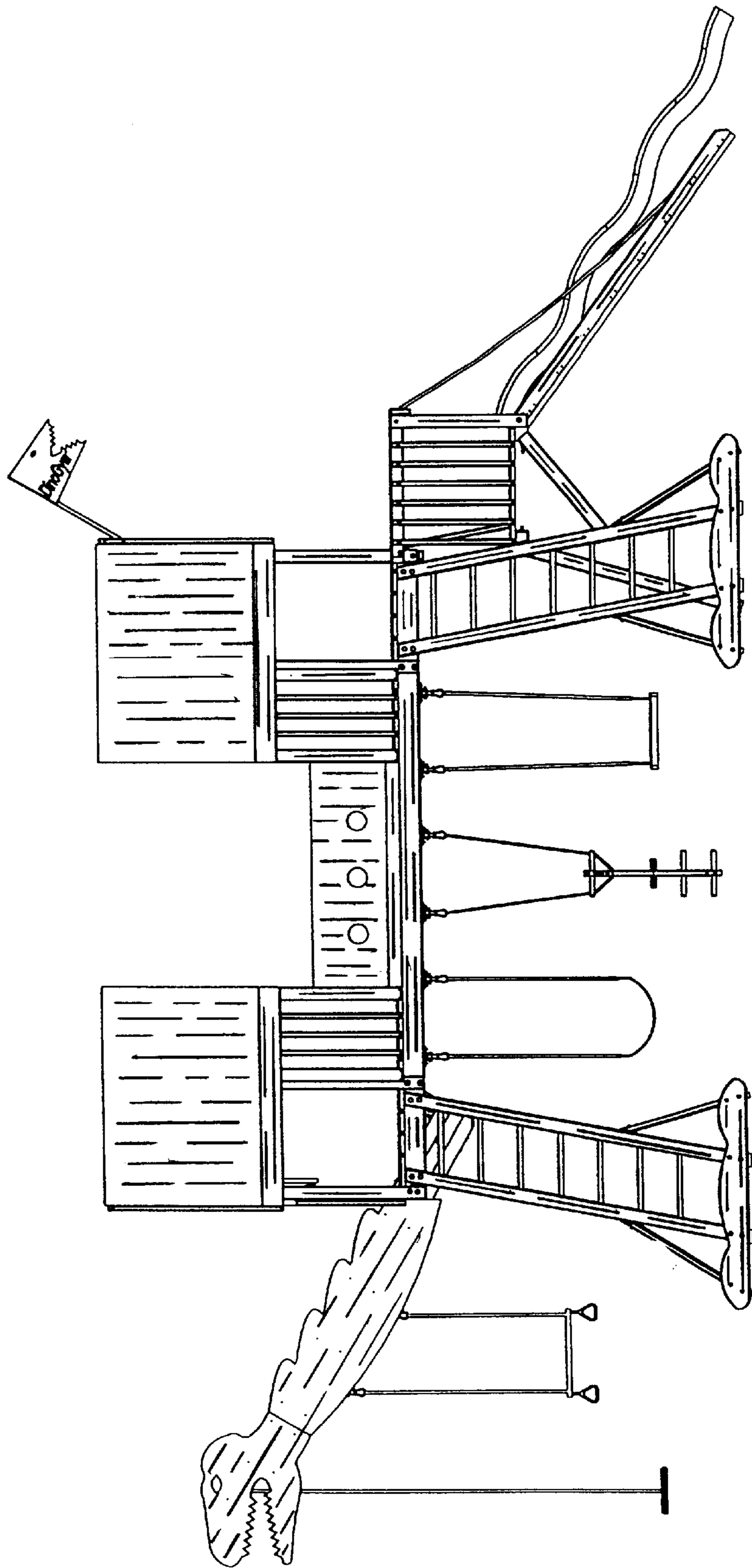


Fig. 6

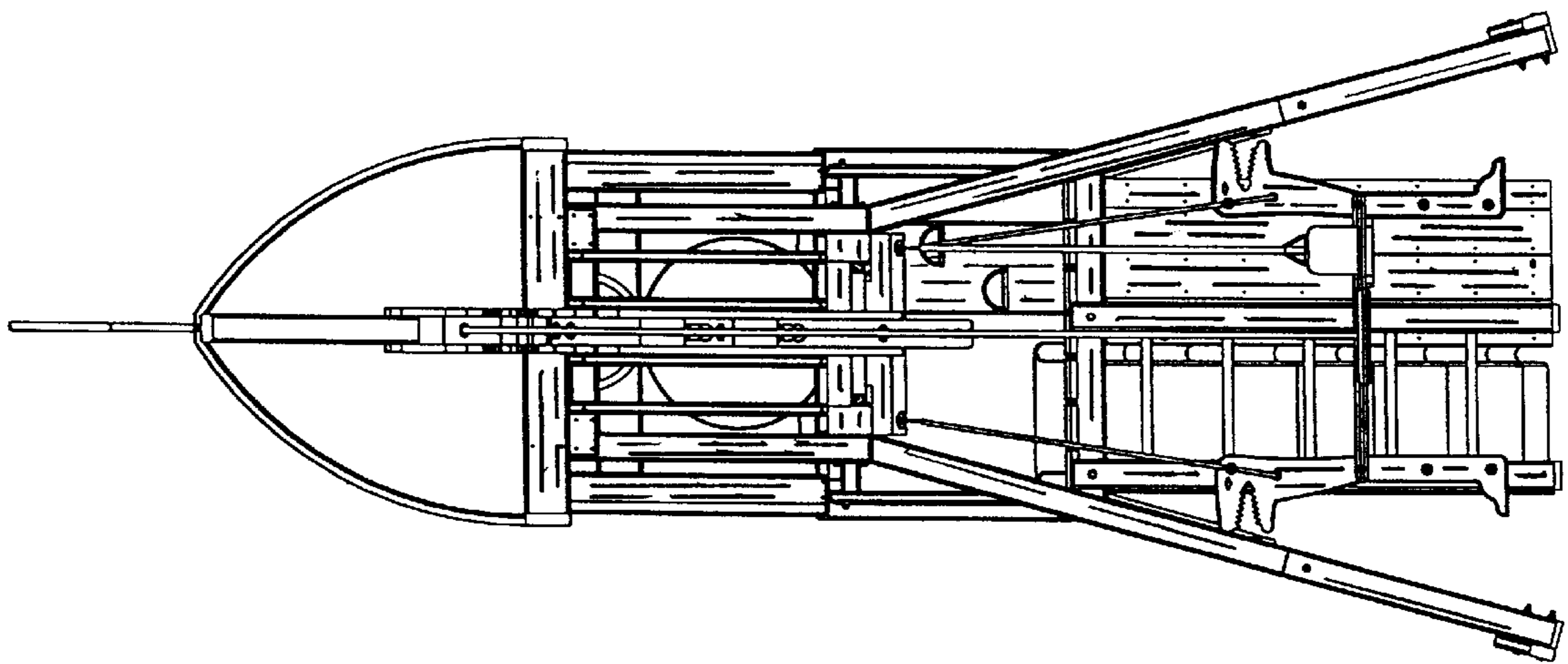


Fig. 7

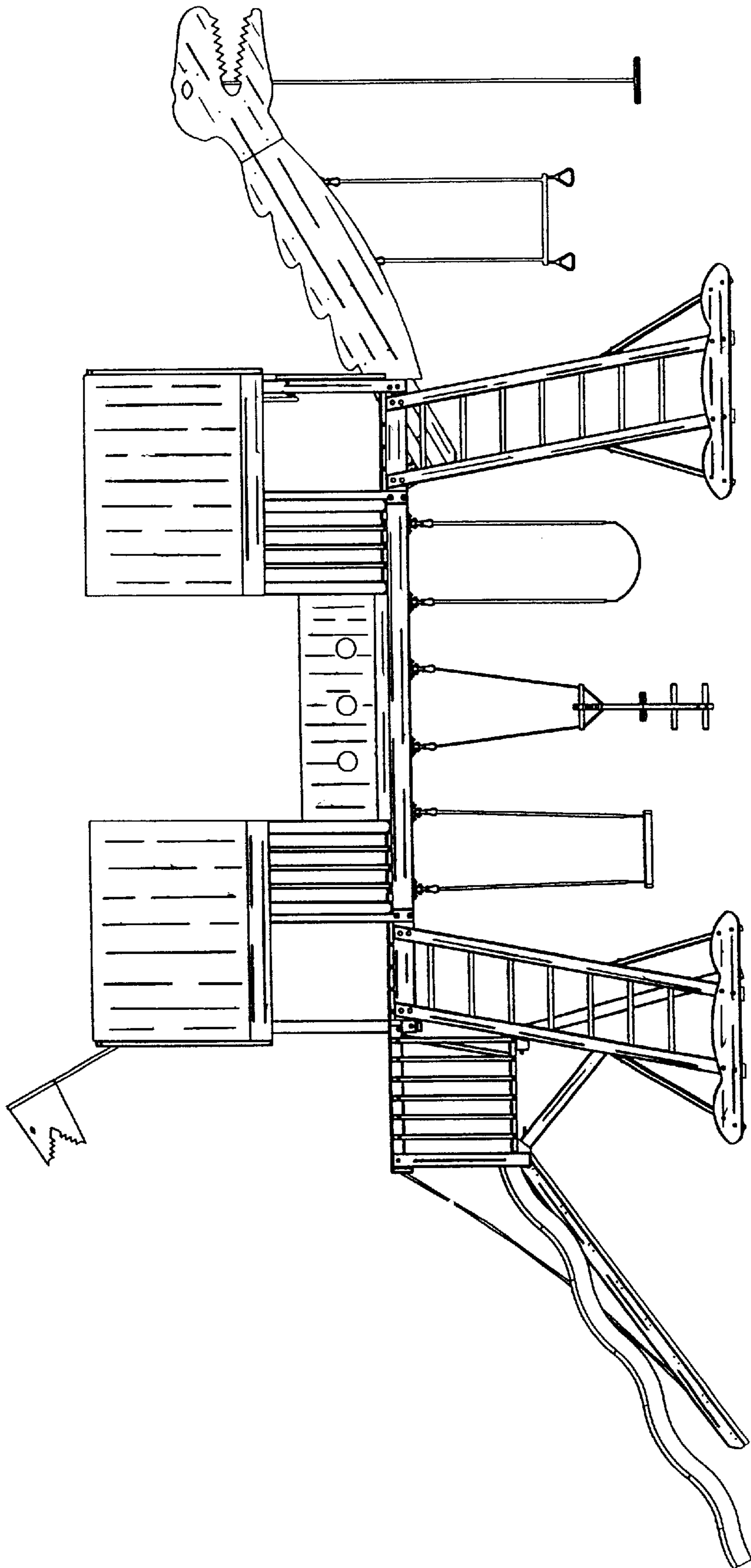


Fig. 8

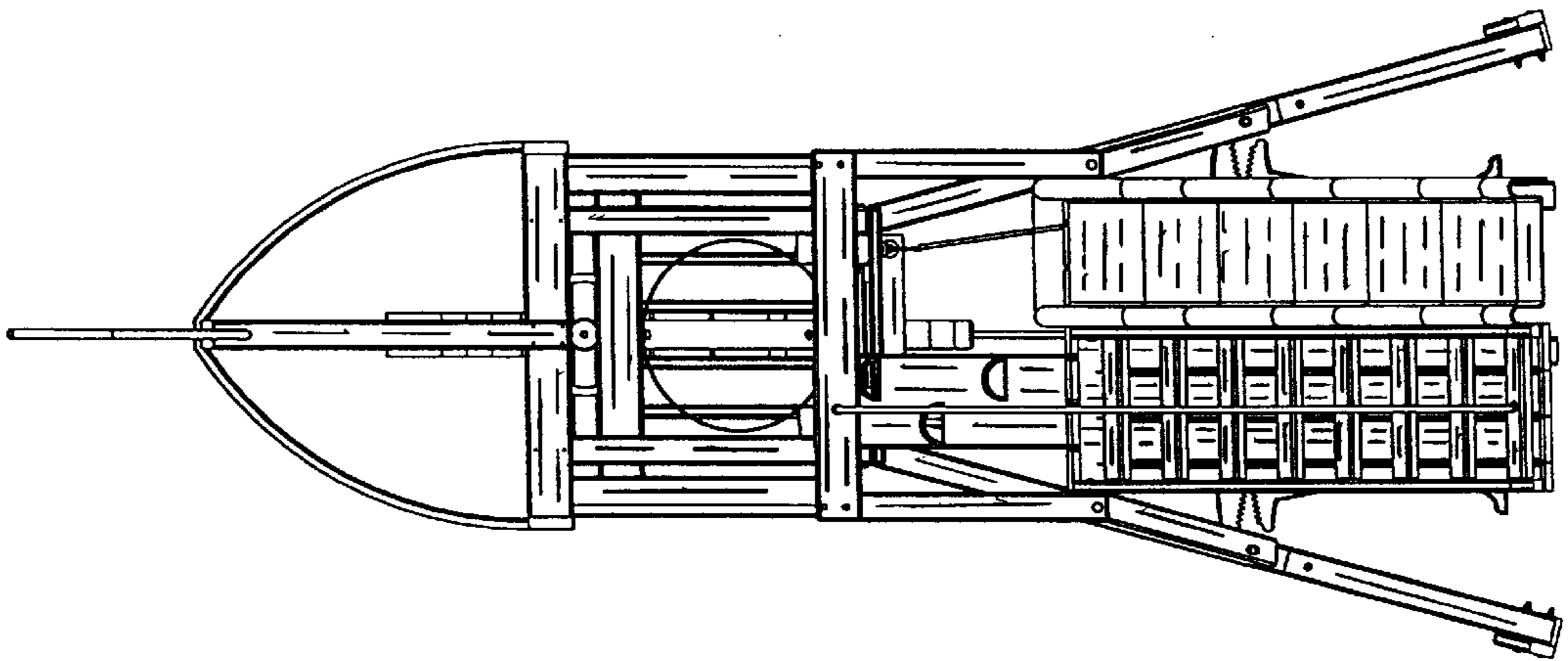


Fig. 9

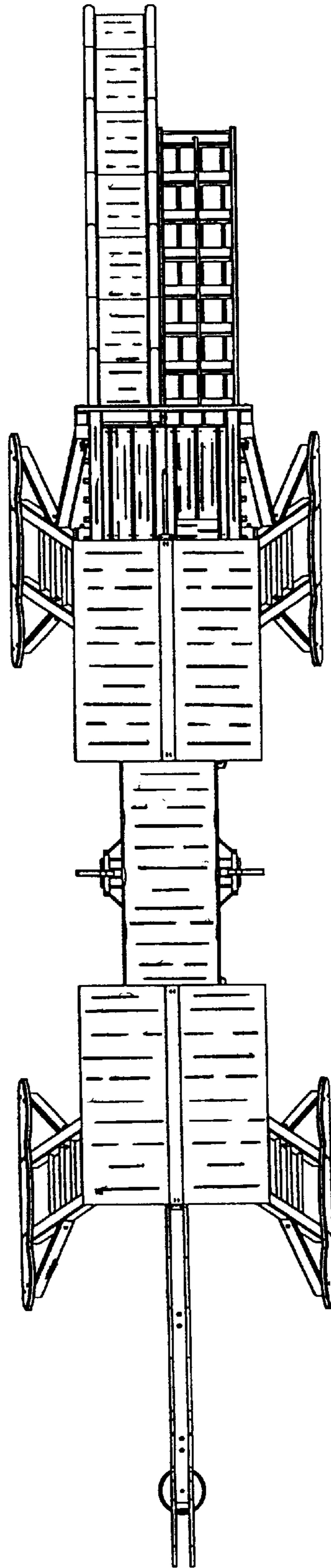


Fig. 10

