



US00D440621S

(12) **United States Design Patent**
Coleman

(10) **Patent No.:** **US D440,621 S**

(45) **Date of Patent:** **** Apr. 17, 2001**

(54) **FLIGHT CAPSULE PLAY STATION**

4,492,372 * 1/1985 Lorance et al. 472/130
4,767,334 8/1988 Thorne et al. 434/29

(76) Inventor: **Adrienne Coleman**, 8119 Landfall Ct.,
Gainesville, VA (US) 20155

* cited by examiner

(**) Term: **14 Years**

Primary Examiner—Mitchell Siegel
(74) *Attorney, Agent, or Firm*—Joseph Scafetta, Jr.

(21) Appl. No.: **29/127,285**

(57) **CLAIM**

(22) Filed: **Aug. 4, 2000**

The ornamental design for a flight capsule play station, as shown and described.

(51) **LOC (7) Cl.** **21-02**

(52) **U.S. Cl.** **D21/811**

(58) **Field of Search** D21/811, 814,
D21/831; 434/28, 29, 37, 55; 472/130;
446/7

DESCRIPTION

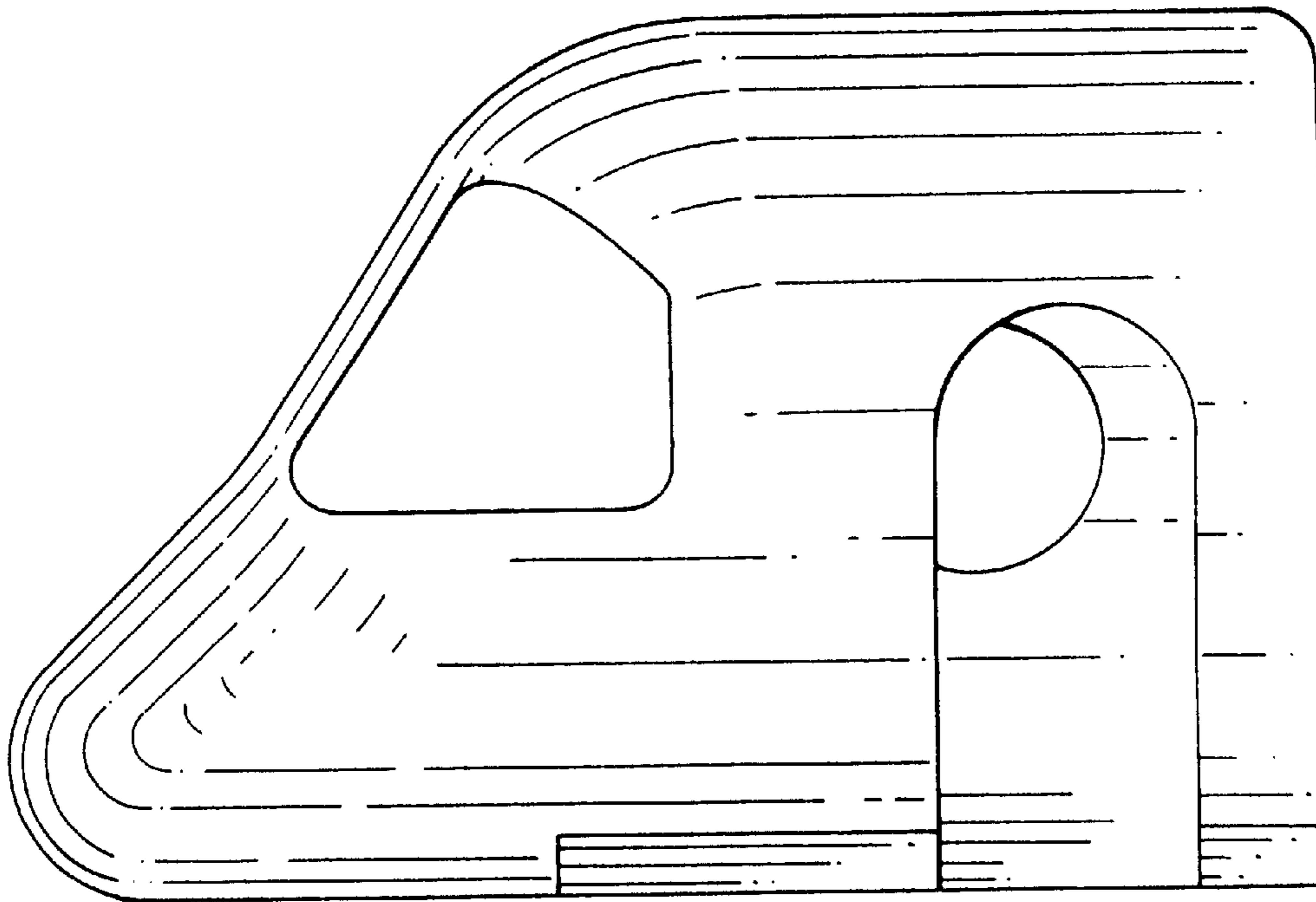
FIG. 1 is a front view of a flight capsule play station showing my new design;
FIG. 2 is a rear view thereof;
FIG. 3 is right side view thereof;
FIG. 4 is left side view thereof;
FIG. 5 is a top plan view thereof; and,
FIG. 6 is a bottom plan view thereof.

(56) **References Cited**

U.S. PATENT DOCUMENTS

D. 374,054 * 9/1996 Wilgus D21/827
D. 428,957 * 8/2000 Harper D21/811
3,618,256 * 11/1971 Monks 434/55

1 Claim, 3 Drawing Sheets



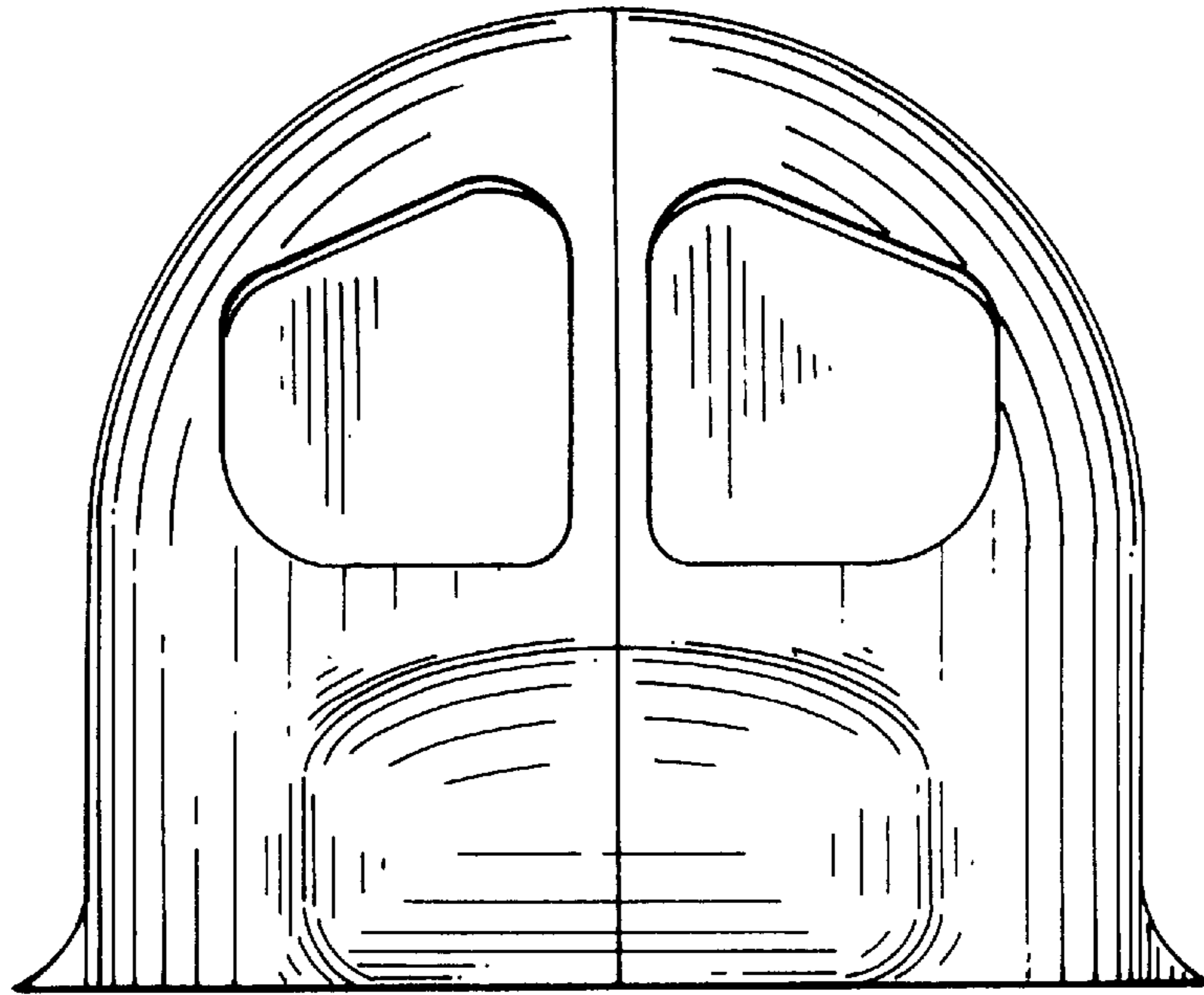


Fig. 1

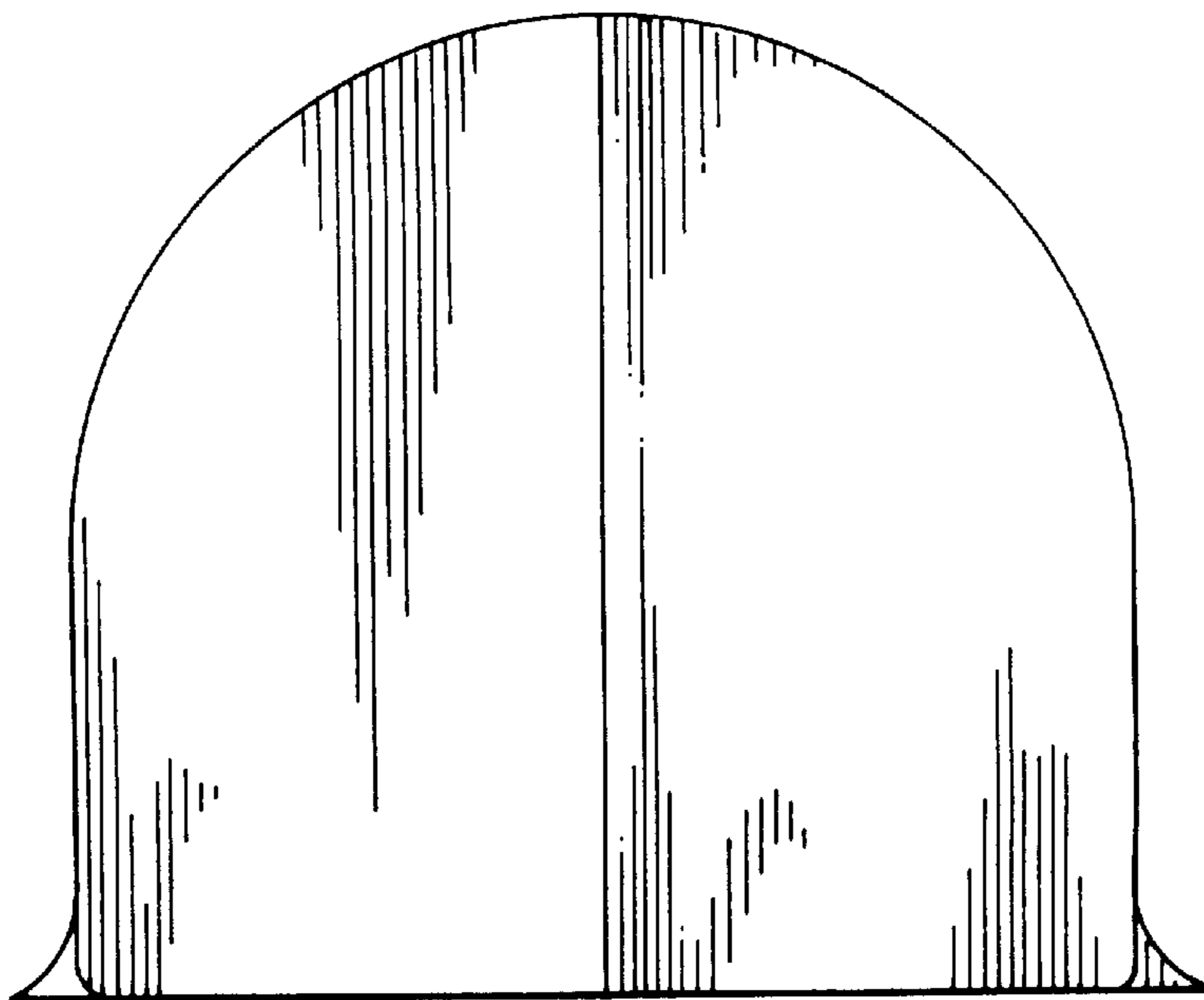


Fig. 2

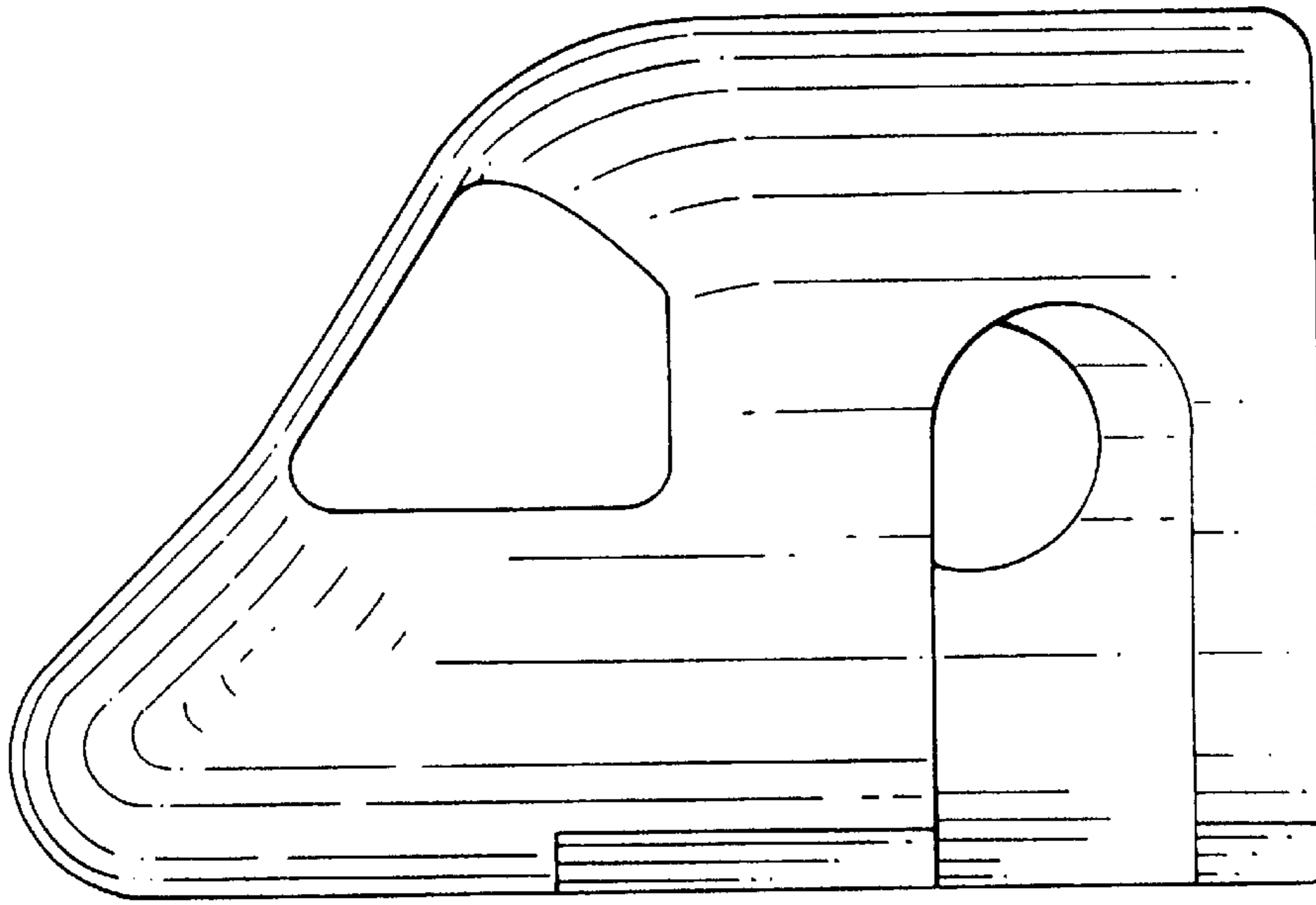


Fig. 3

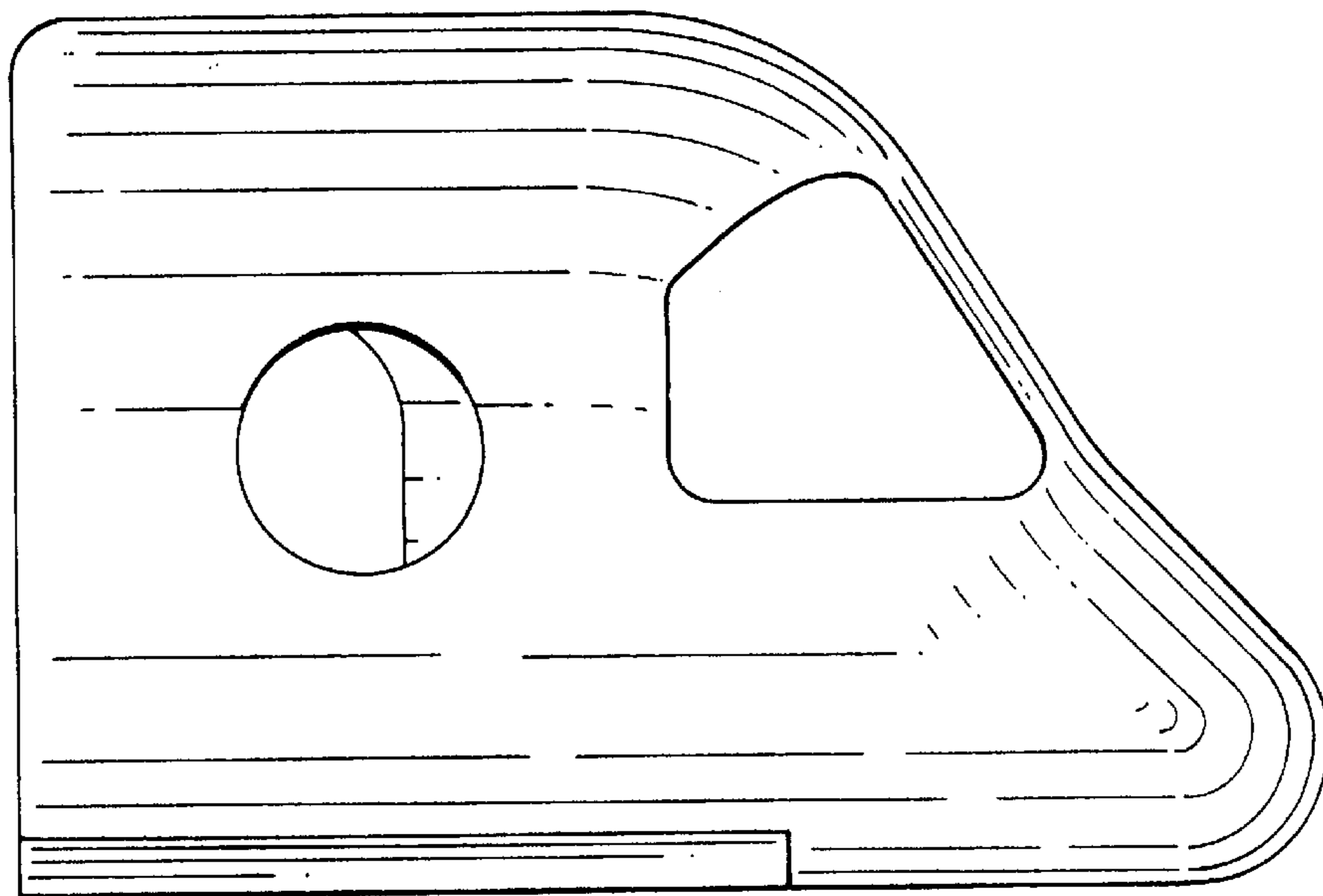


Fig. 4

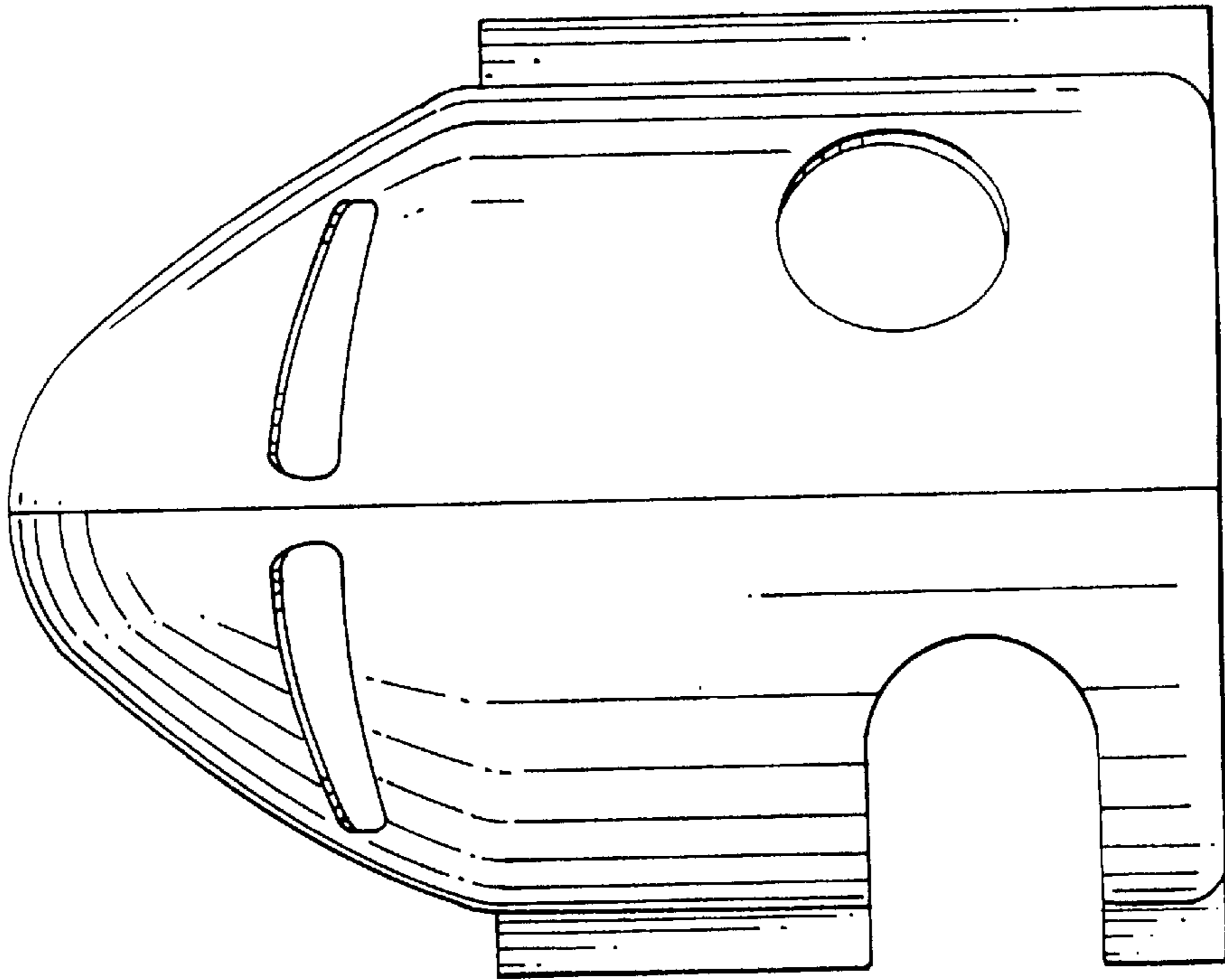


Fig. 5

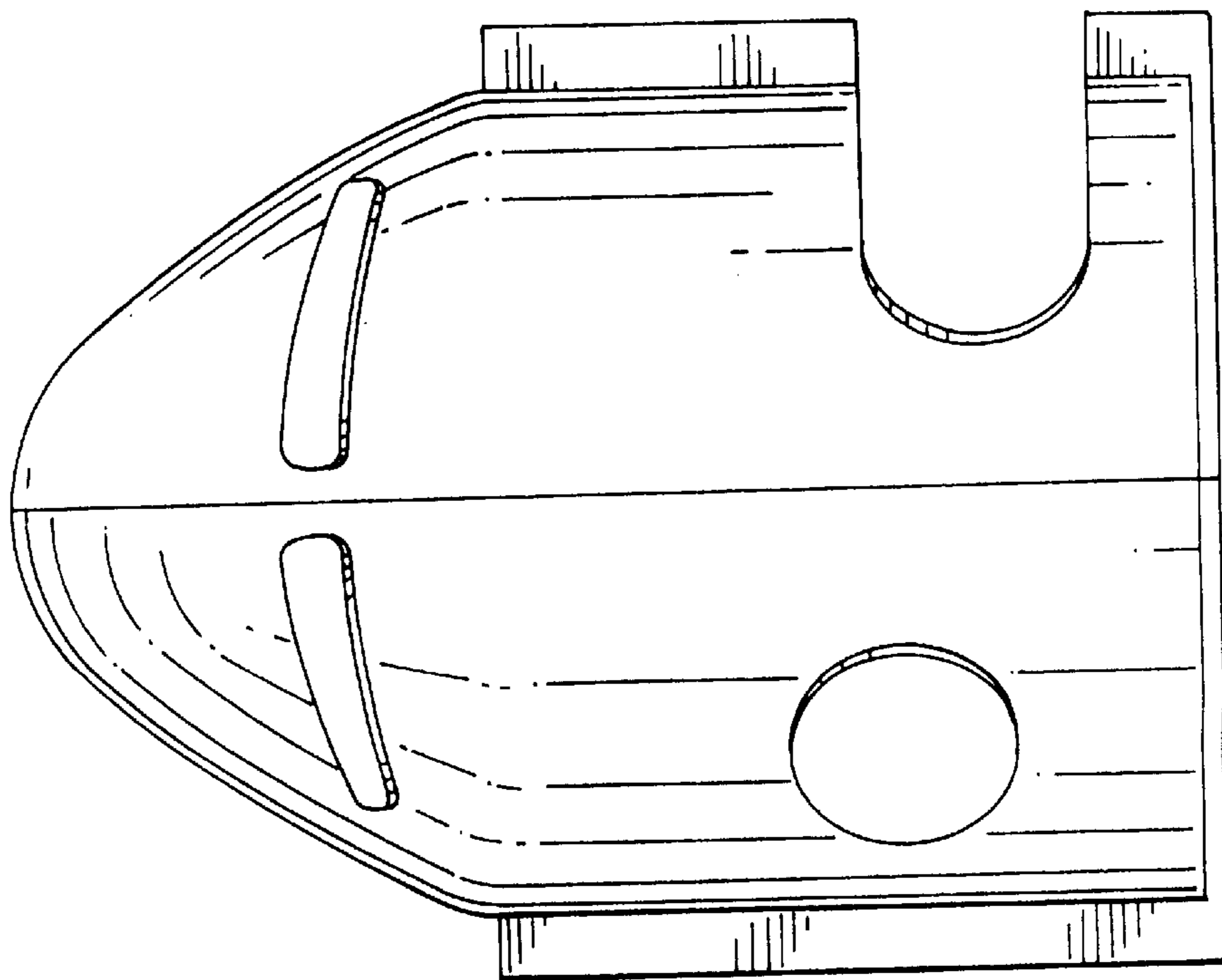


Fig. 6