



US00D440614S

(12) **United States Design Patent**  
**Audero**

(10) **Patent No.:** **US D440,614 S**

(45) **Date of Patent:** **\*\* Apr. 17, 2001**

(54) **SOCCER BALL**

(76) **Inventor:** **Jose C. Audero**, c/o Audero Sports Supply, Inc., 4935 McConnell Ave., Suite 11, Los Angeles, CA (US) 90066

(\*\*) **Term:** **14 Years**

(21) **Appl. No.:** **29/127,025**

(22) **Filed:** **Jul. 31, 2000**

(51) **LOC (7) Cl.** ..... **21-02**

(52) **U.S. Cl.** ..... **D21/707; D21/713**

(58) **Field of Search** ..... D21/698, 707, D21/713; 473/569, 593, 594, 598, 599-605, 607, 609-611

(56) **References Cited**

**U.S. PATENT DOCUMENTS**

- D. 234,213 \* 1/1975 Anderson ..... D21/713
- D. 235,358 \* 6/1975 Defaud ..... D21/707

- D. 299,845 \* 2/1989 Gray ..... D2/713
- D. 330,239 \* 10/1992 Obermann ..... D21/713
- D. 357,958 \* 5/1995 Audero, Jr. .... D21/713
- D. 386,230 \* 11/1997 Gray ..... D21/703
- D. 418,565 \* 1/2000 Burgess ..... D21/713
- D. 422,040 \* 3/2000 Stalberger, Jr. .... D21/713

\* cited by examiner

*Primary Examiner*—Dominic Simone

(74) *Attorney, Agent, or Firm*—Allan M. Shapiro

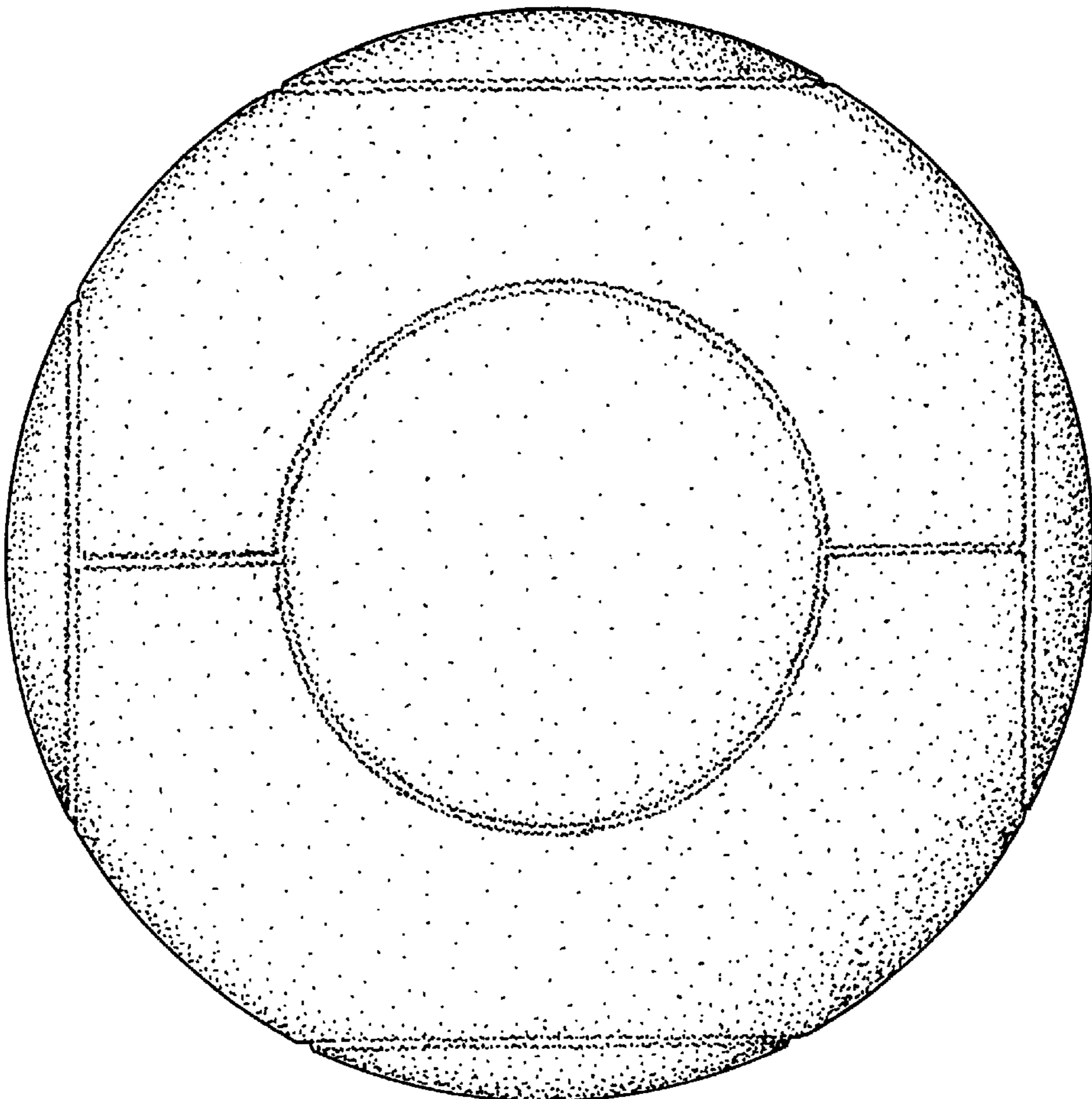
(57) **CLAIM**

The ornamental design for a soccer ball, as shown and described.

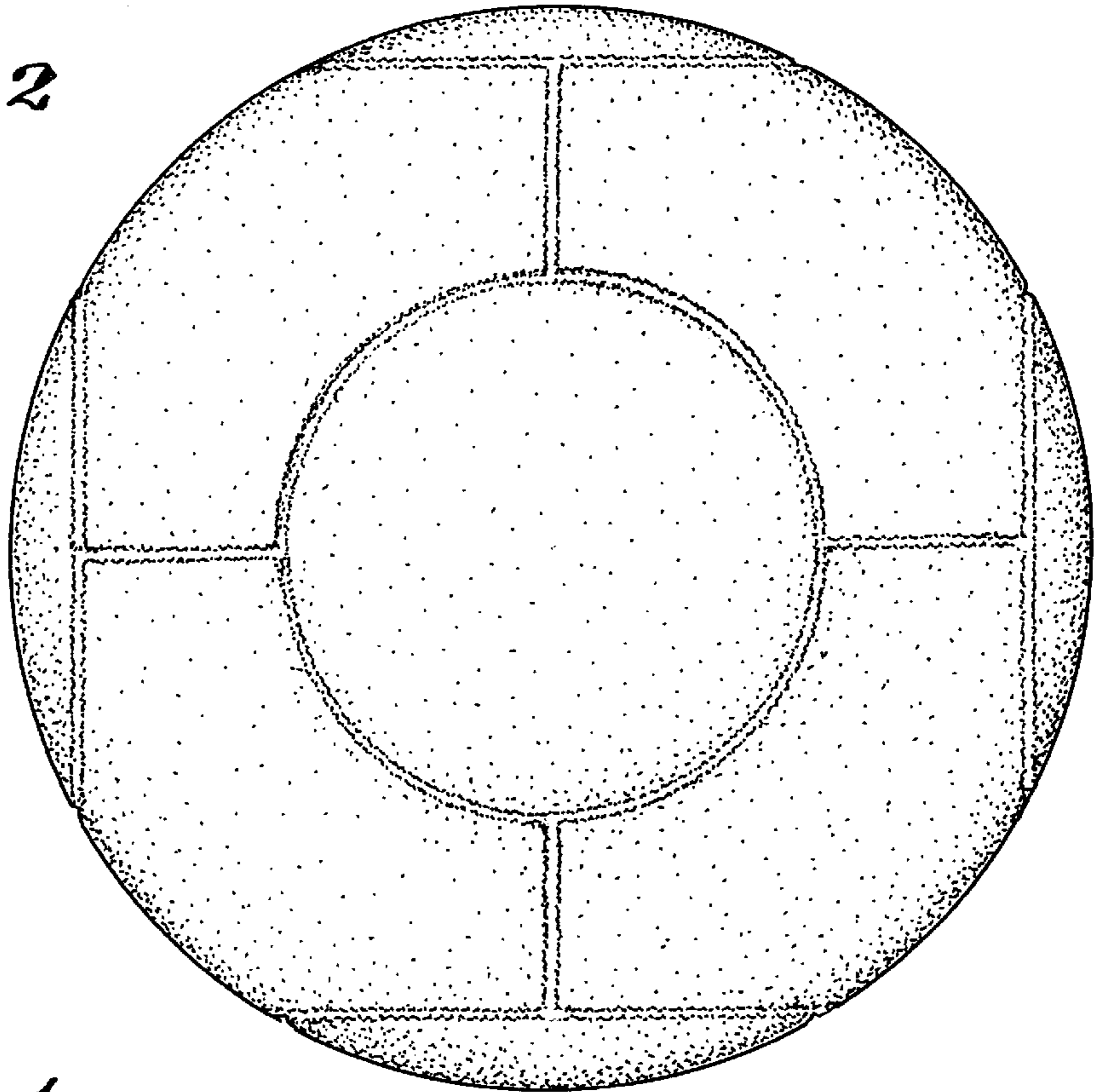
**DESCRIPTION**

FIG. 1 is a view from the front, rear, top or bottom of a soccer ball showing my new design; and, FIG. 2 is a view from the left or right side thereof.

**1 Claim, 1 Drawing Sheet**



*FIG. 2*



*FIG. 1*

