



US00D440613S

(12) **United States Design Patent**  
**Davis et al.**

(10) **Patent No.:** **US D440,613 S**

(45) **Date of Patent:** **\*\* Apr. 17, 2001**

(54) **BASKETBALL GOAL**

3,469,844	9/1969	Sindelar .
3,582,078	6/1971	Katras .
3,941,384	3/1976	Wopschall .
4,529,390	7/1985	Levy et al. .

(75) Inventors: **Mark Davis**, Wauwatosa; **Amy Rodgers**, Franklin, both of WI (US)

(73) Assignee: **Huffy Corporation**, Miamisburg, OH (US)

(\*\*) Term: **14 Years**

(21) Appl. No.: **29/094,152**

(22) Filed: **Sep. 25, 1998**

(51) **LOC (7) Cl.** ..... **21-02**

(52) **U.S. Cl.** ..... **D21/702**

(58) **Field of Search** ..... D21/701-704;  
273/458; 446/220; 473/479, 481, 485

(56) **References Cited**

**U.S. PATENT DOCUMENTS**

D. 235,361	6/1975	Benton .	
D. 264,740	6/1982	Merino et al. .	
D. 324,554	3/1992	McKinney .	
D. 338,562	8/1993	Barker et al. ....	D2/871
D. 353,641	12/1994	Liu .....	D21/702
D. 360,667	7/1995	Liu .....	D21/703
2,130,820	9/1938	Trumbull .	
2,939,707	6/1960	Lemelson .	

**OTHER PUBLICATIONS**

Hong Kong Toys, vol. 1, p. 1729, Basketball Goal, 1993.\*

\* cited by examiner

*Primary Examiner*—Dominic Simone

(74) *Attorney, Agent, or Firm*—Howrey Simon Arnold & White; Michael J. Bell

(57) **CLAIM**

The ornamental design for a basketball goal, as shown and described.

**DESCRIPTION**

FIG. 1 is a perspective view of a basketball goal embodying our design;

FIG. 2 is a front elevational view thereof;

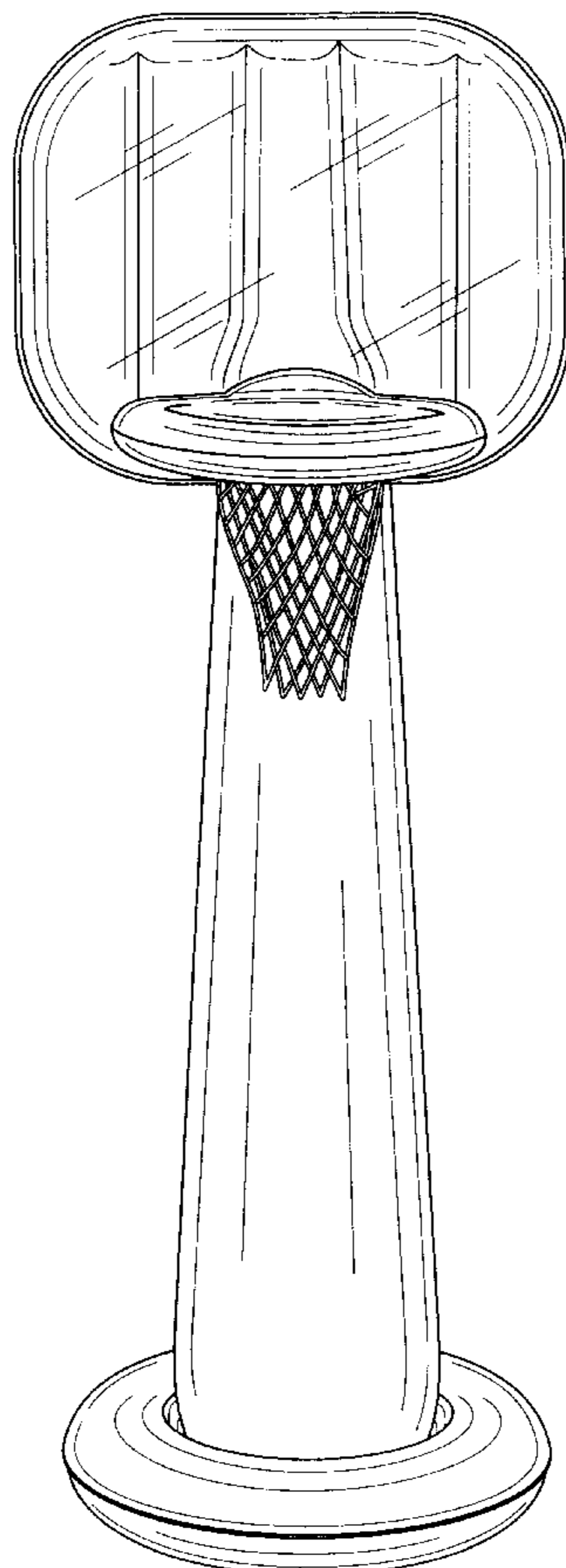
FIG. 3 is a rear elevational view thereof;

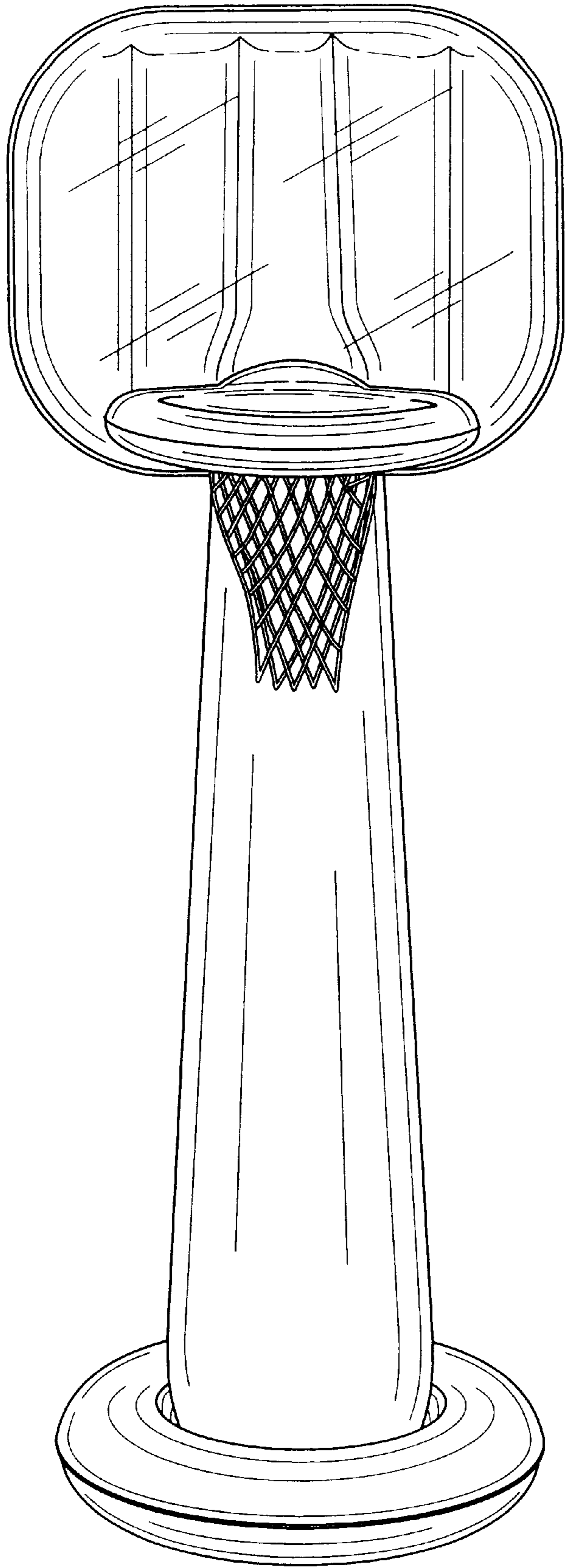
FIG. 4 is a right side elevational view thereof, the left side elevational view being a mirror image;

FIG. 5 is a top plan view thereof; and,

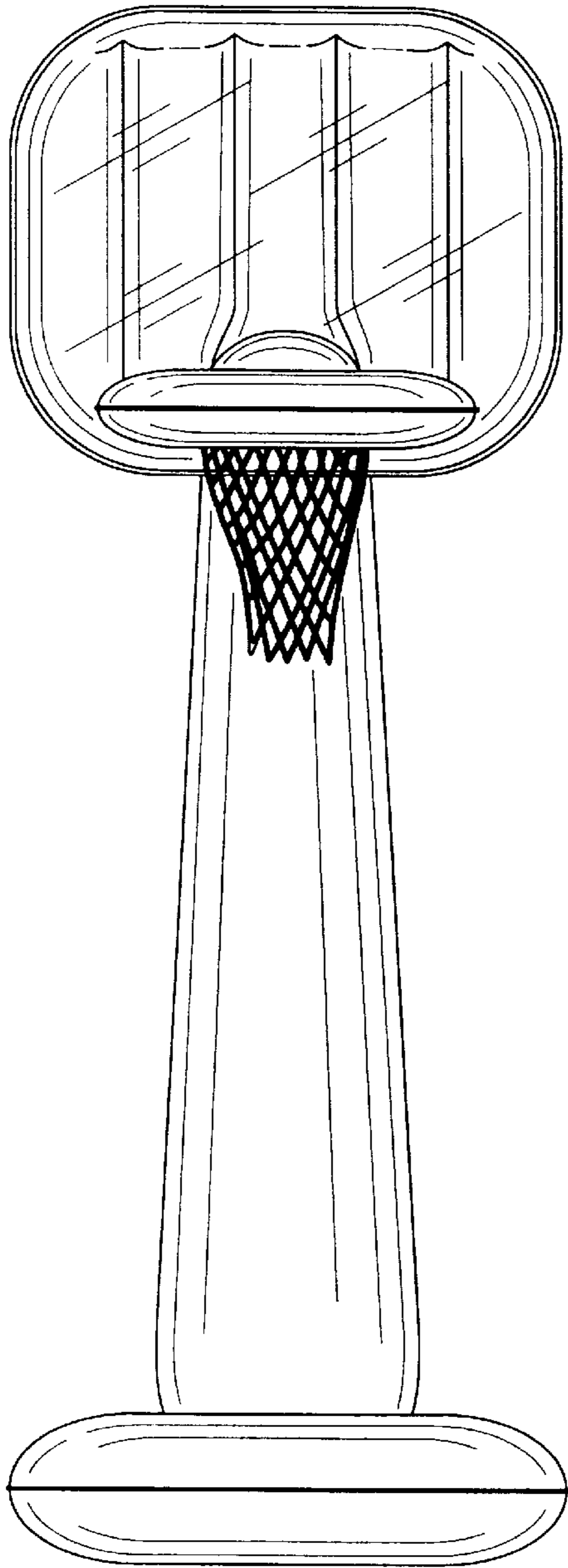
FIG. 6 is a bottom plan view thereof.

**1 Claim, 4 Drawing Sheets**

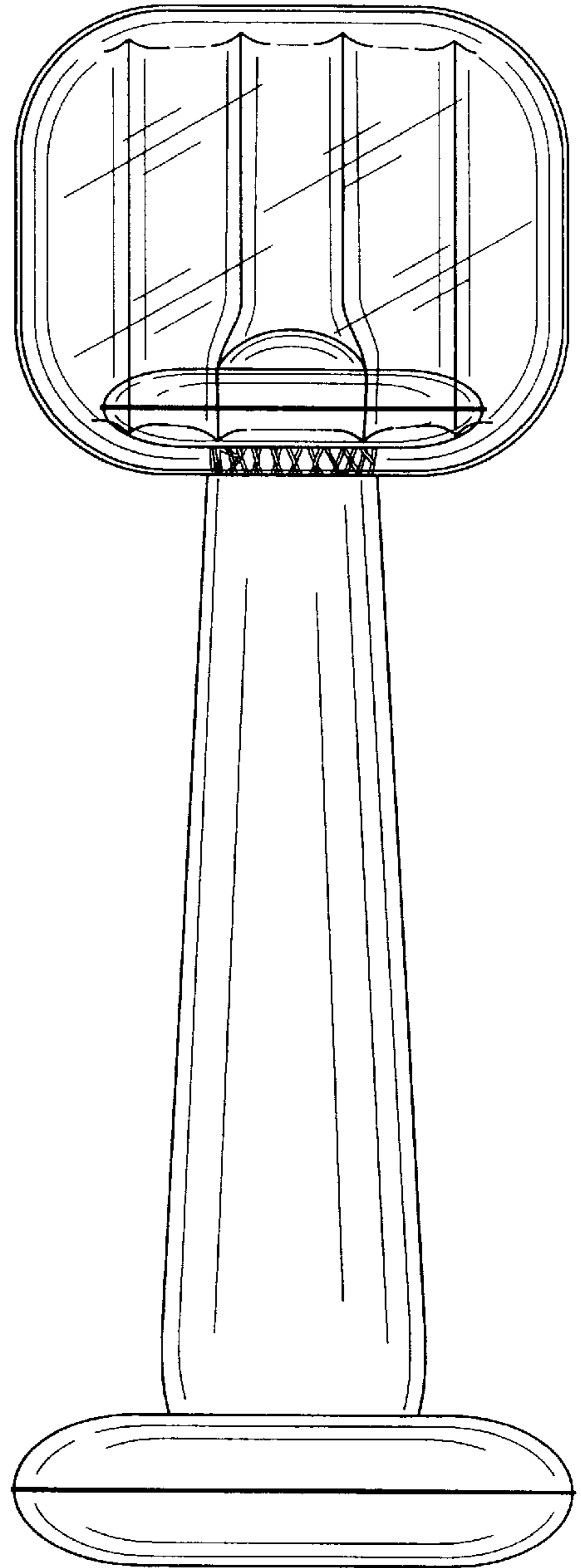




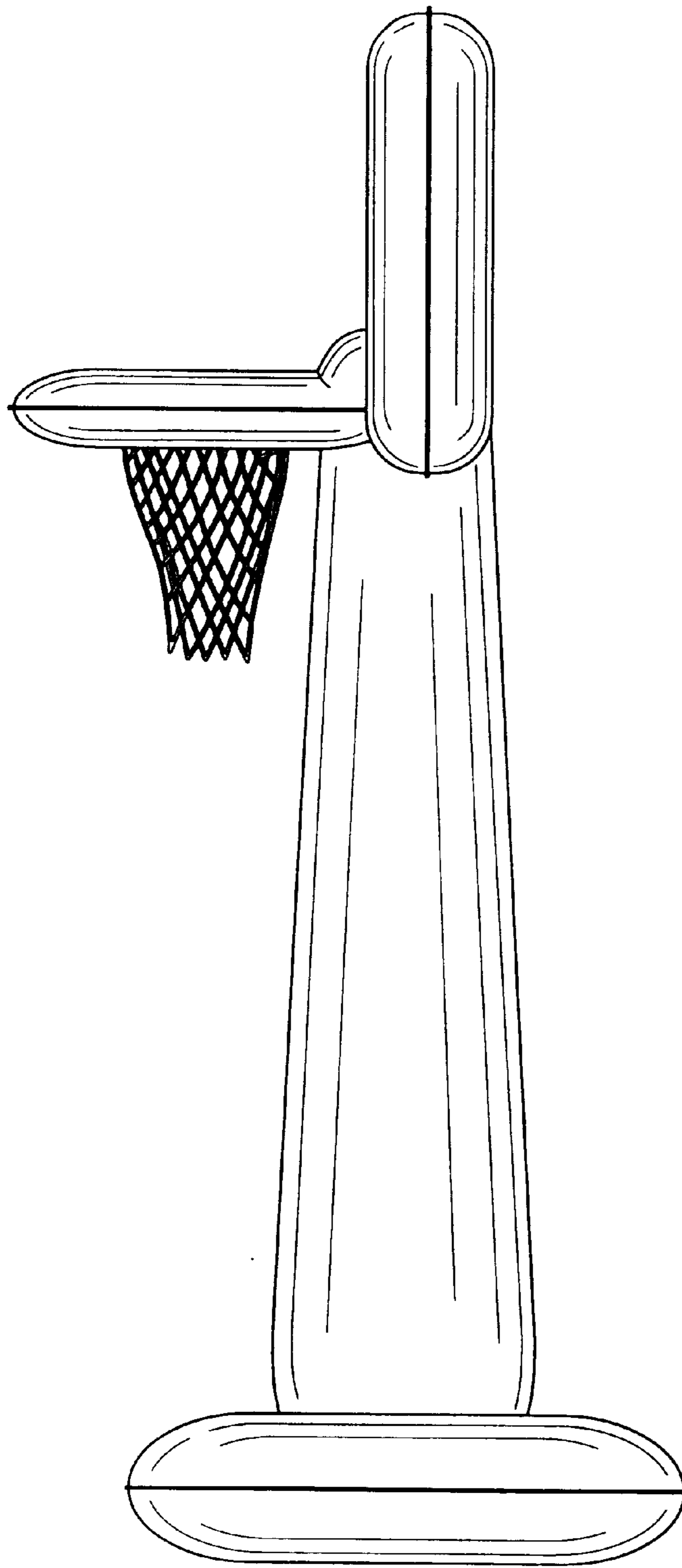
**FIG. 1**



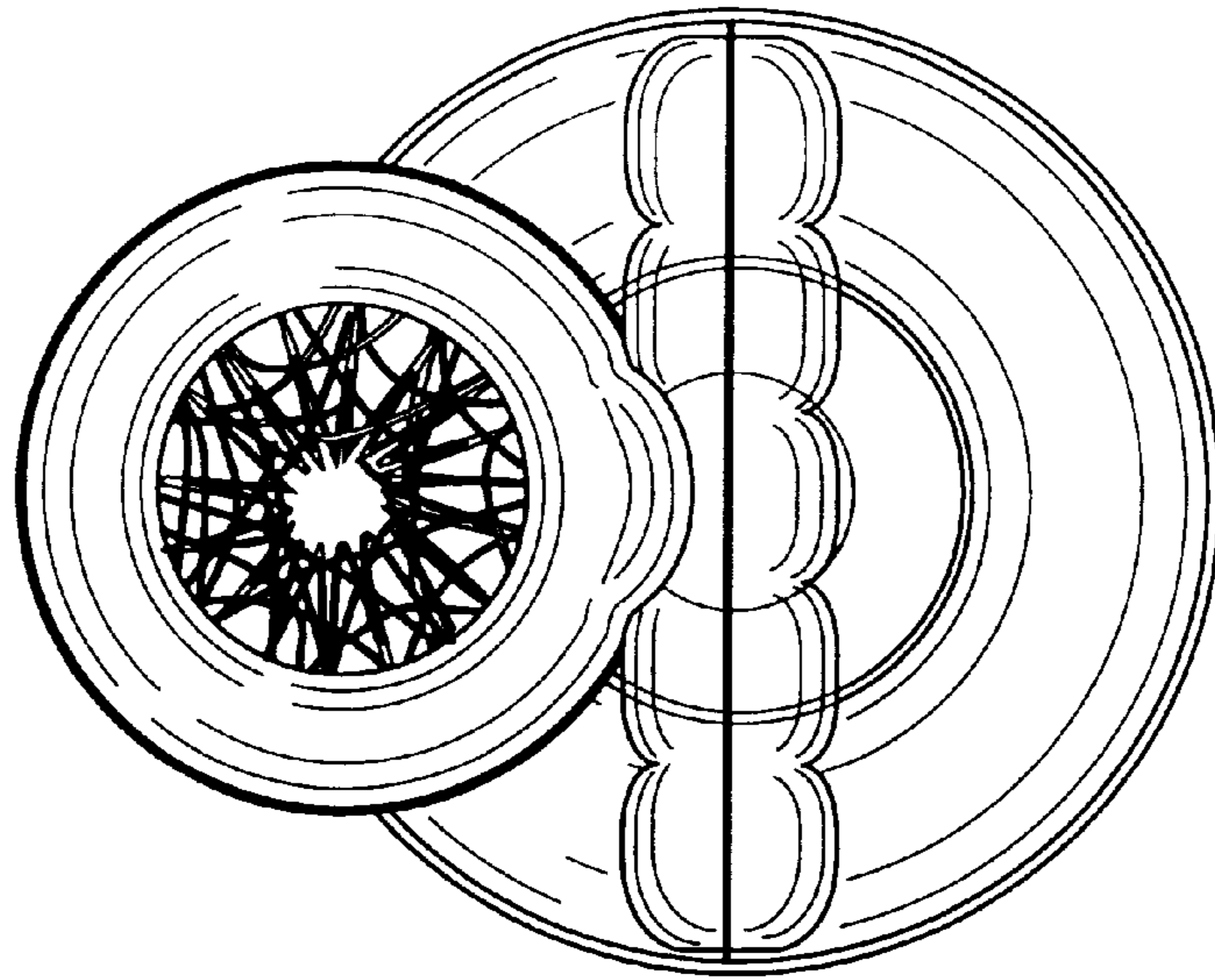
**FIG. 2**



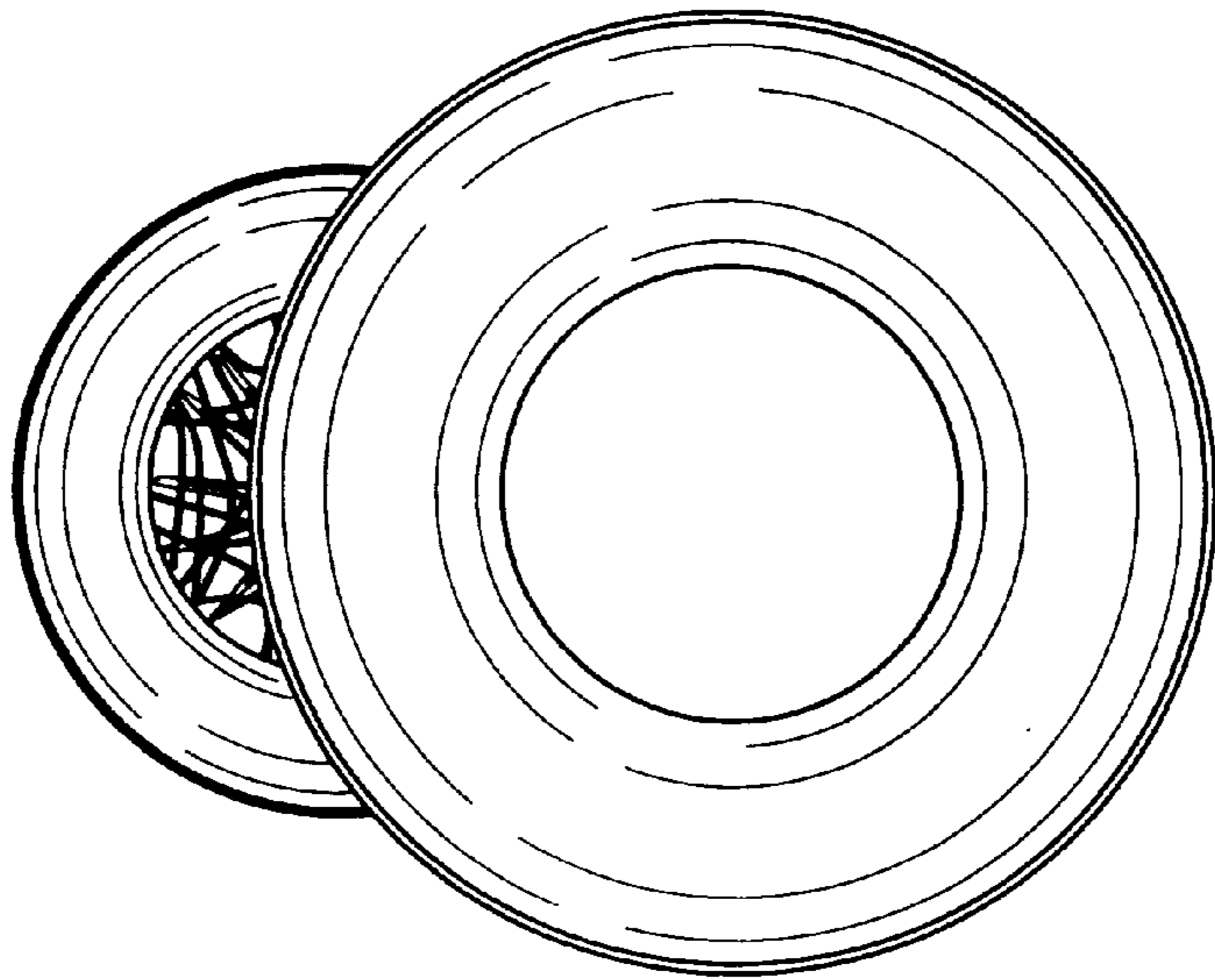
**FIG. 3**



**FIG. 4**



**FIG. 5**



**FIG. 6**