



US00D440612S

(12) **United States Design Patent**
Arnold et al.

(10) **Patent No.:** **US D440,612 S**

(45) **Date of Patent:** **** Apr. 17, 2001**

(54) **DISPLAY PANEL EXTENSION**

(75) Inventors: **Peter J. Arnold**, Seattle; **Blake Pennington**, Everett, both of WA (US)

(73) Assignee: **Illinois Tool Works, Inc.**, Glenview, IL (US)

(**) Term: **14 Years**

(21) Appl. No.: **29/122,292**

(22) Filed: **Apr. 24, 2000**

(51) **LOC (7) Cl.** **21-02**

(52) **U.S. Cl.** **D21/696; D21/694**

(58) **Field of Search** D21/662, 663, D21/664, 665, 667, 669, 696, 694; 482/5, 8, 51, 54, 57

5,318,487 6/1994 Golen et al. 482/5

5,403,252 4/1995 Leon et al. 482/5

5,685,804 11/1997 Whan-Tong et al. 482/51

5,769,755 6/1998 Henry et al. 482/8

6,019,707 * 2/2000 Wang 482/54

OTHER PUBLICATIONS

Service merchandise Catalog, pp. 522 and 525, Exerciser Display Panels, 1996/1997.

Precor Incorporated brochure entitled "M9.21/M9.21s/9.41s Low-Impact Treadmill" (1995).

Precor Incorporated brochure entitled "EFX544 Elliptical Fitness Crosstraining" (1996).

Precor Incorporated brochure entitled "EFX5.21s Elliptical Fitness Crosstraining" (1996).

* cited by examiner

Primary Examiner—Philip S. Hyder
 (74) *Attorney, Agent, or Firm*—Christensen O'Connor Johnson Kindness PLLC

(56) **References Cited**

U.S. PATENT DOCUMENTS

D. 325,946 5/1992 Cesaroni et al. D21/663

D. 331,085 11/1992 Beyer D21/696

D. 331,435 12/1992 Ueda D21/696

D. 347,039 5/1994 Littrell et al. D21/666

D. 360,916 8/1995 Koga D21/663

D. 377,672 1/1997 Wanzer et al. D21/663

D. 388,847 1/1998 Whan-Tong et al. D21/668

D. 394,282 5/1998 Birrell D21/696

D. 398,674 9/1998 Huang D21/665

D. 400,941 * 11/1998 Allen D21/663

D. 408,477 4/1999 Arnold et al. D21/668

D. 410,978 6/1999 Littrell et al. D21/668

D. 412,192 7/1999 Birrell et al. D21/696

D. 427,156 * 6/2000 Arnold et al. D21/696

D. 429,509 * 8/2000 Garza D21/696

D. 429,781 * 8/2000 Arnold et al. D21/670

4,842,266 6/1989 Sweeney, Sr. et al. 482/54

4,911,427 3/1990 Matsumoto et al. 482/57

4,934,692 6/1990 Owens .

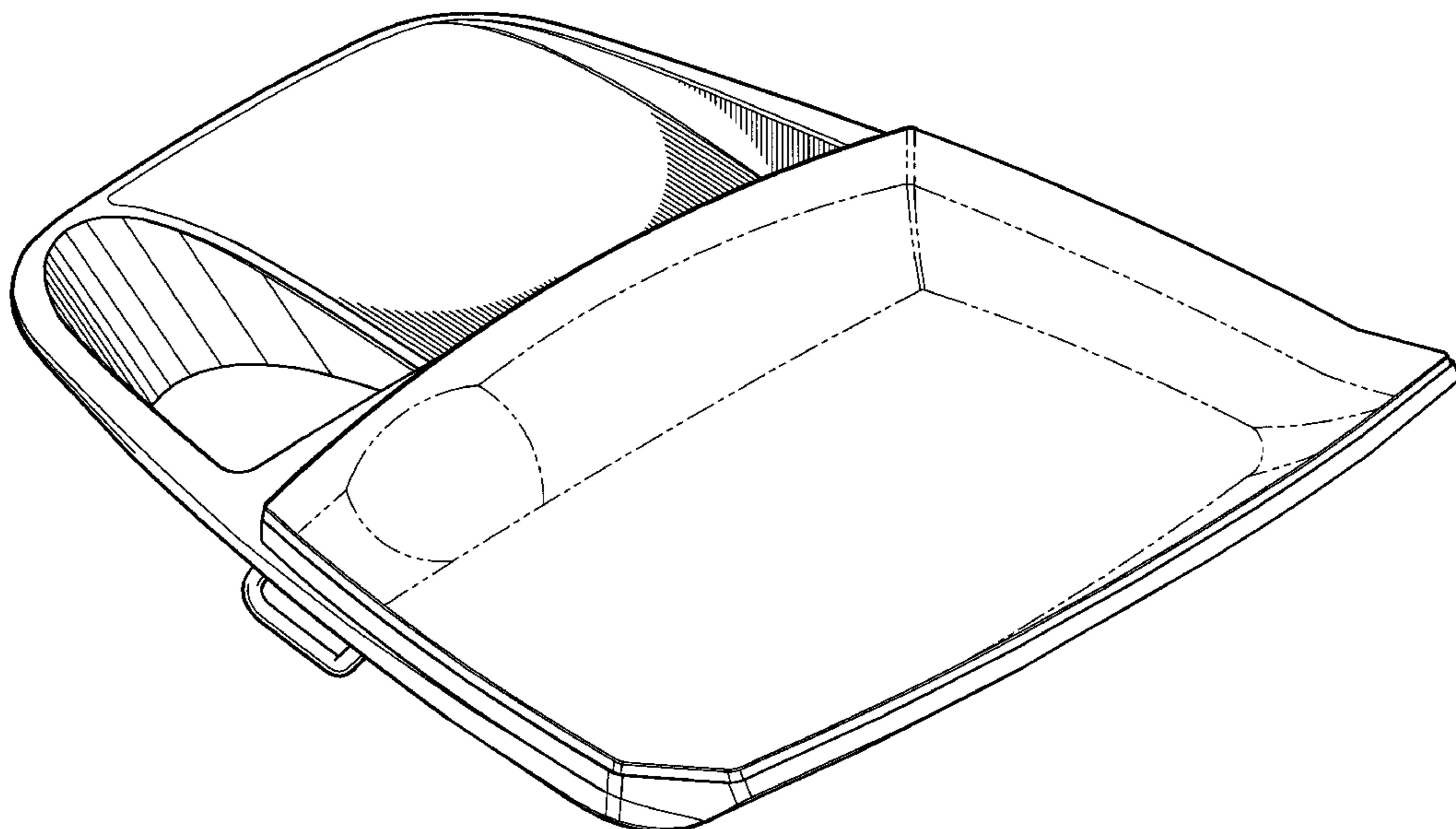
(57) **CLAIM**

The ornamental design for a display panel extension, as shown and described.

DESCRIPTION

FIG. 1 is an isometric view of the subject design;
 FIG. 2 is a top view of the subject design;
 FIG. 3 is a bottom view of the subject design;
 FIG. 4 is a side view of the subject design taken in the direction of lines 4—4 in FIG. 2;
 FIG. 5 is an opposite side view of the subject design taken in the direction of lines 5—5 in FIG. 2;
 FIG. 6 is an end view of the subject design taken in the direction of lines 6—6 shown in FIG. 2; and,
 FIG. 7 is an opposite end view of the subject design taken in the direction of lines 7—7 as shown in FIG. 2.

1 Claim, 5 Drawing Sheets



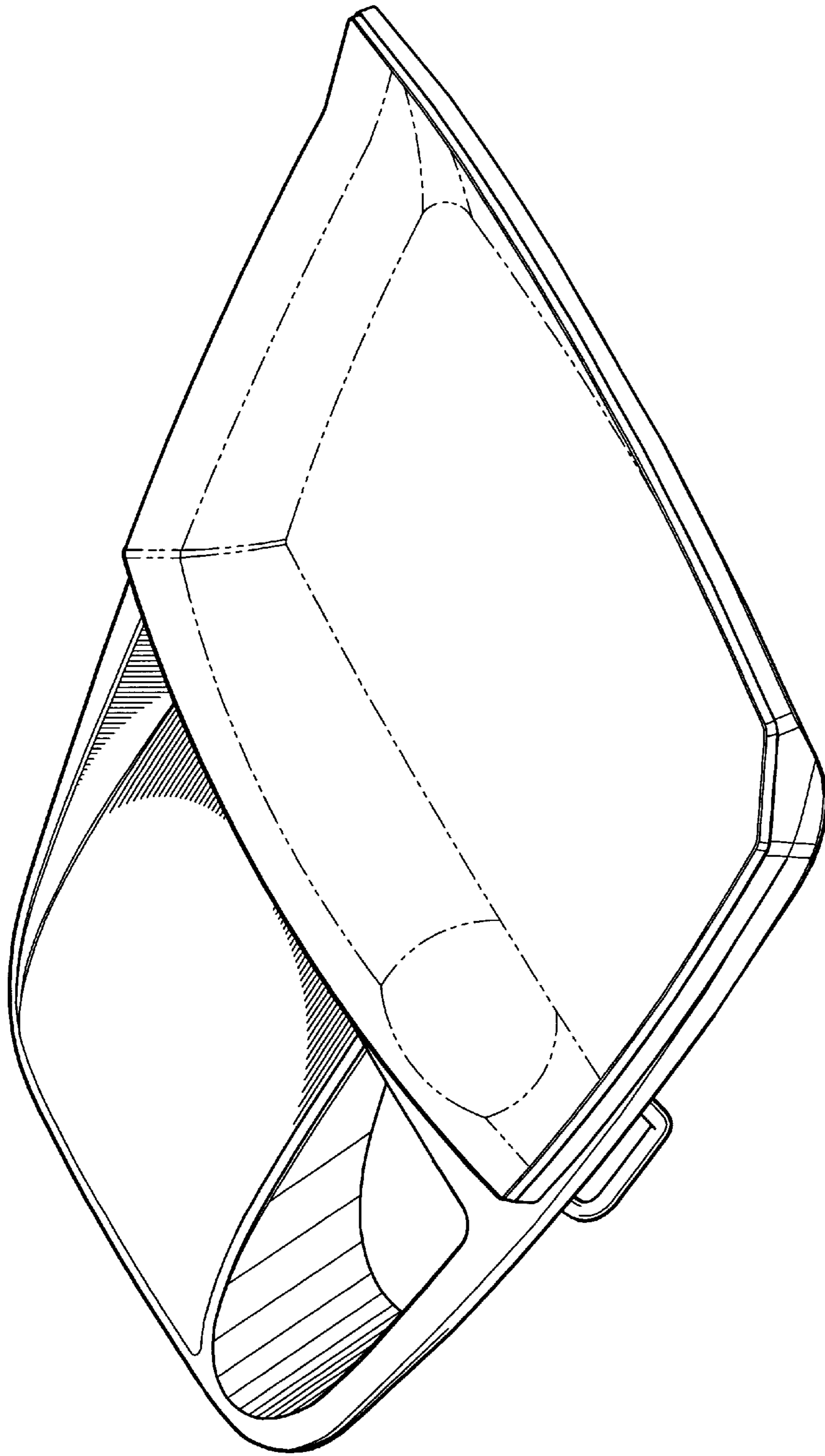


Fig. 1.

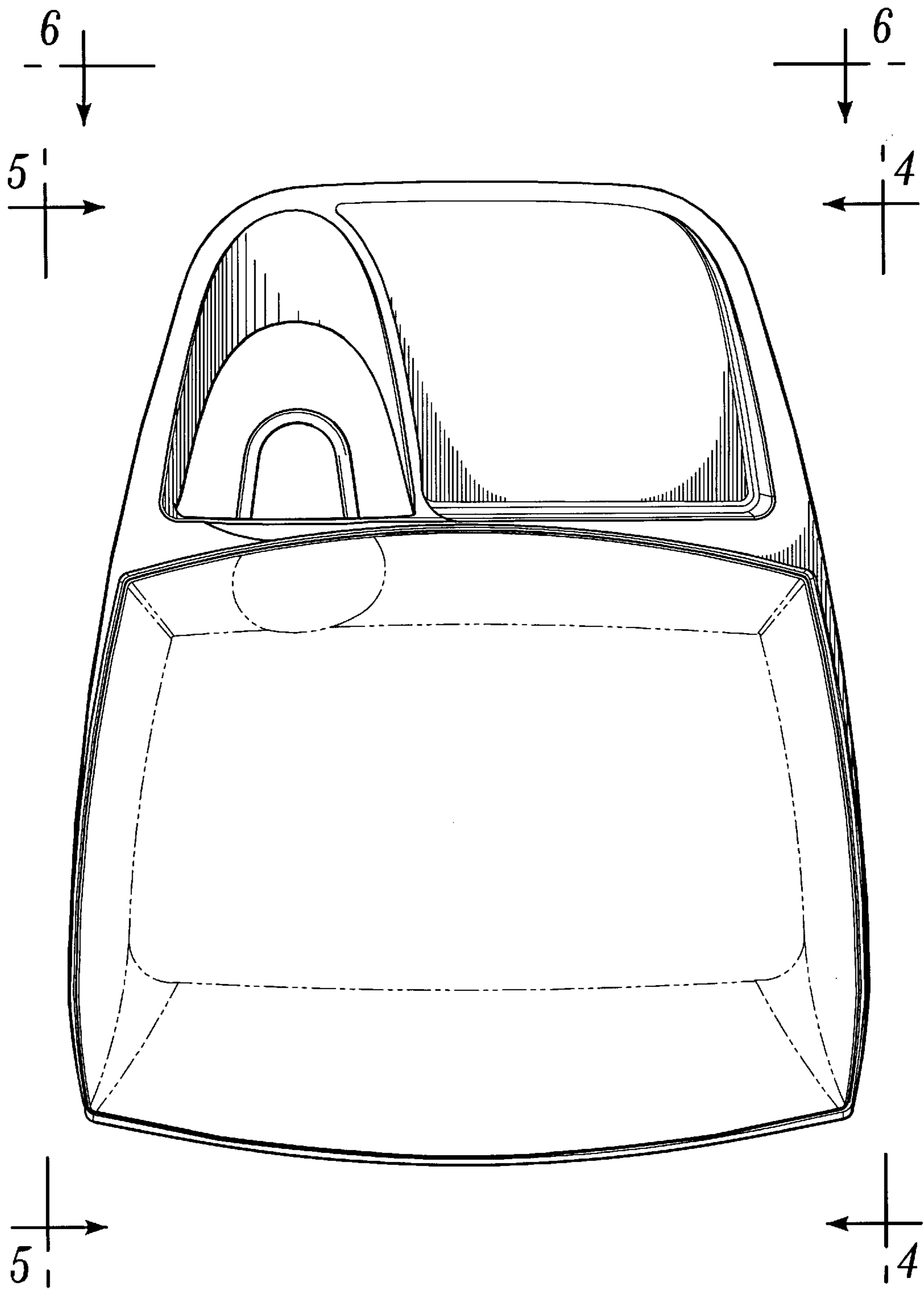
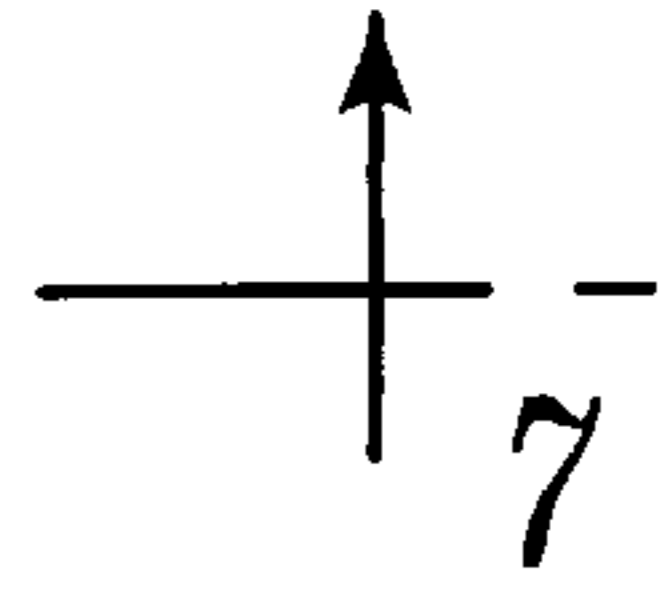
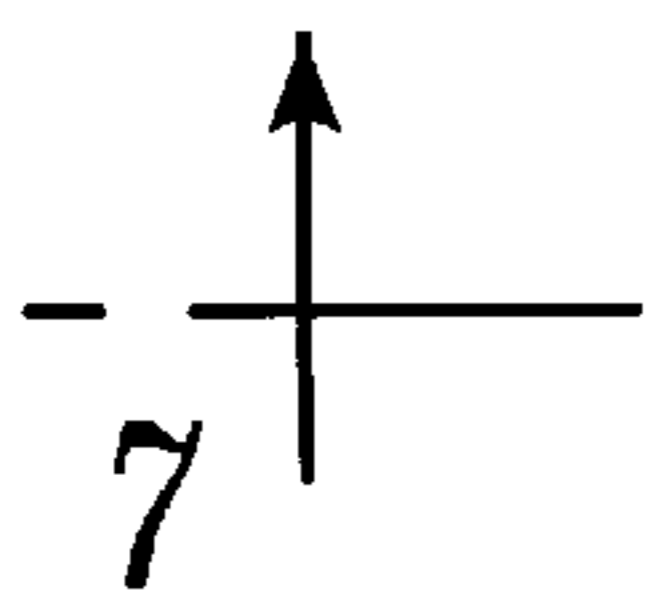


Fig. 2.



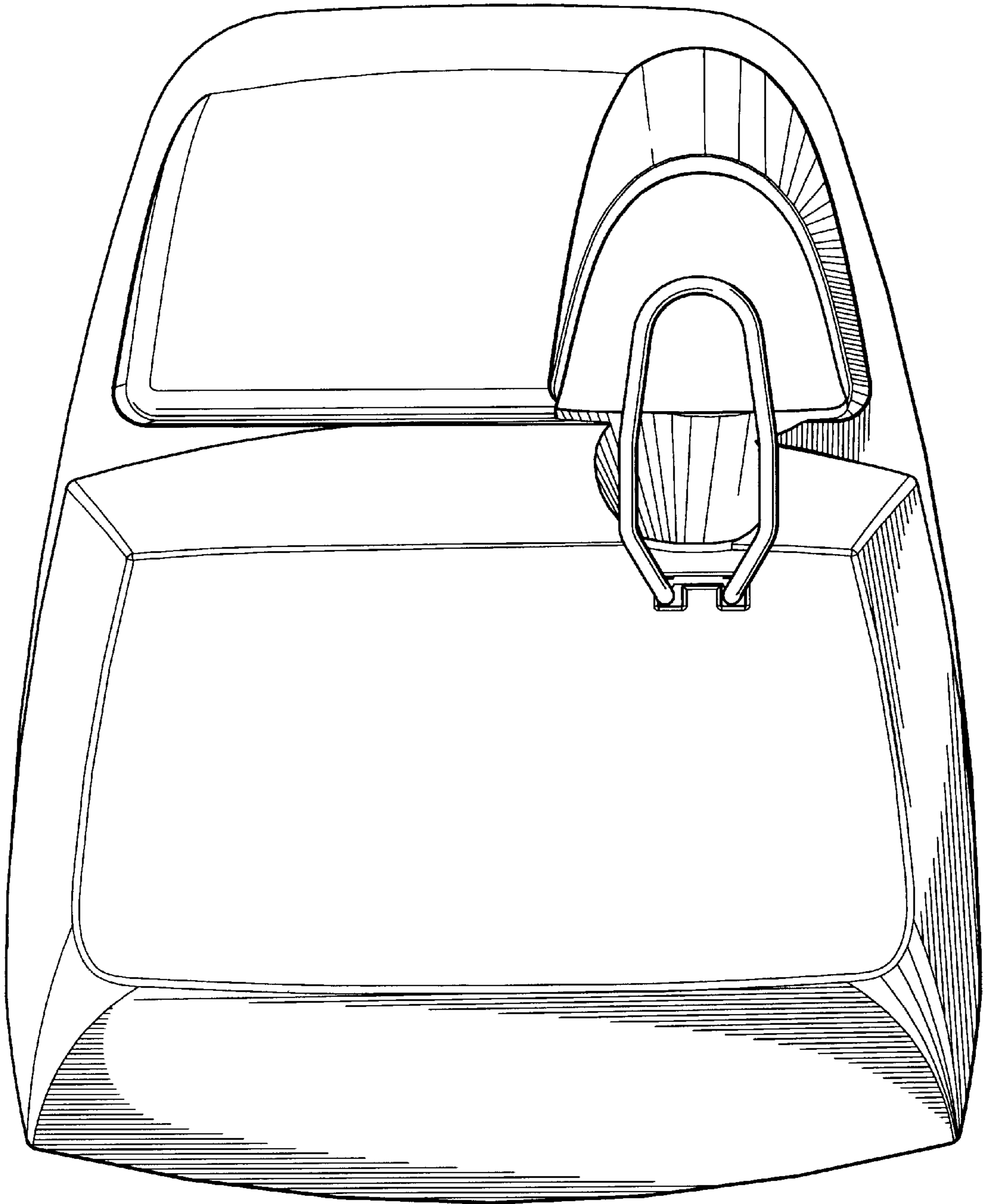


Fig. 3.

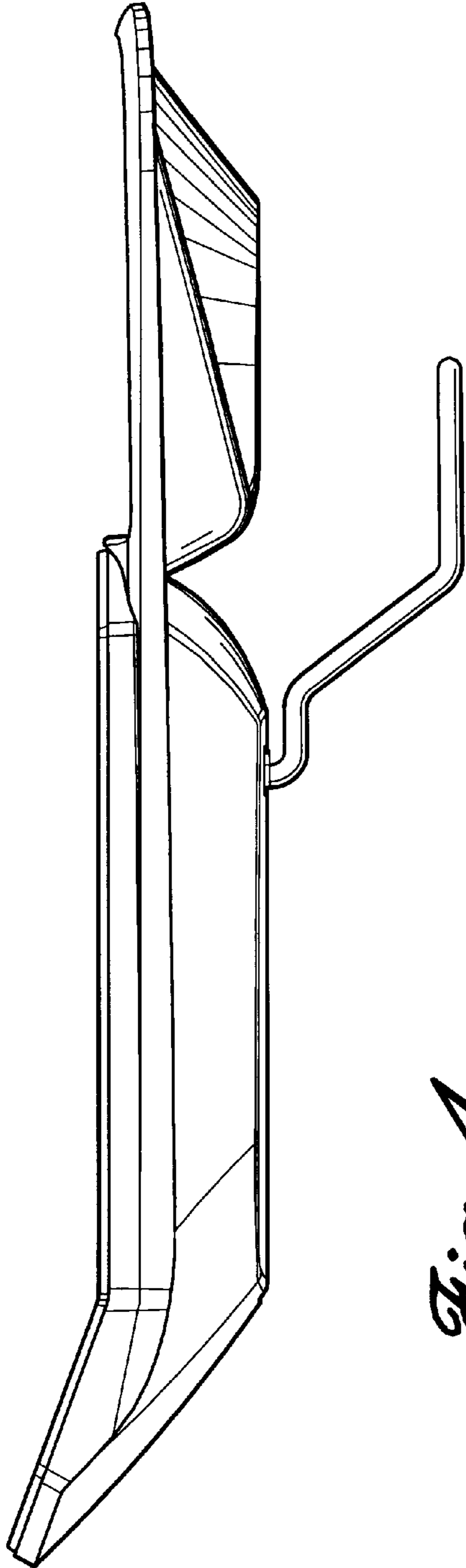


Fig. 4.

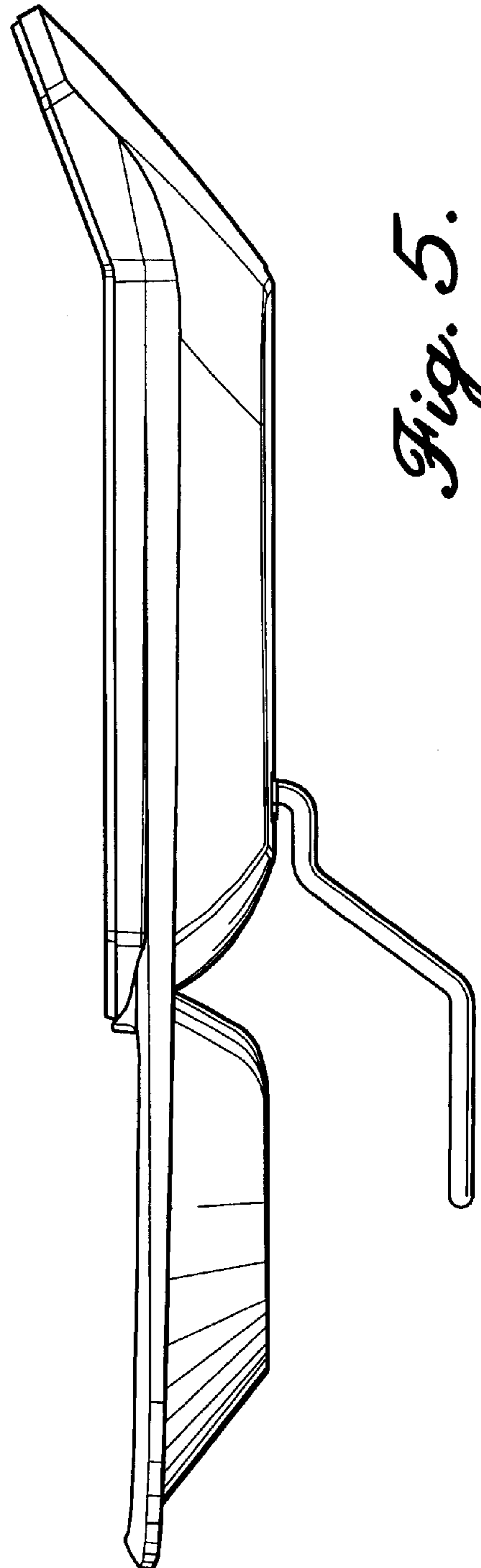


Fig. 5.

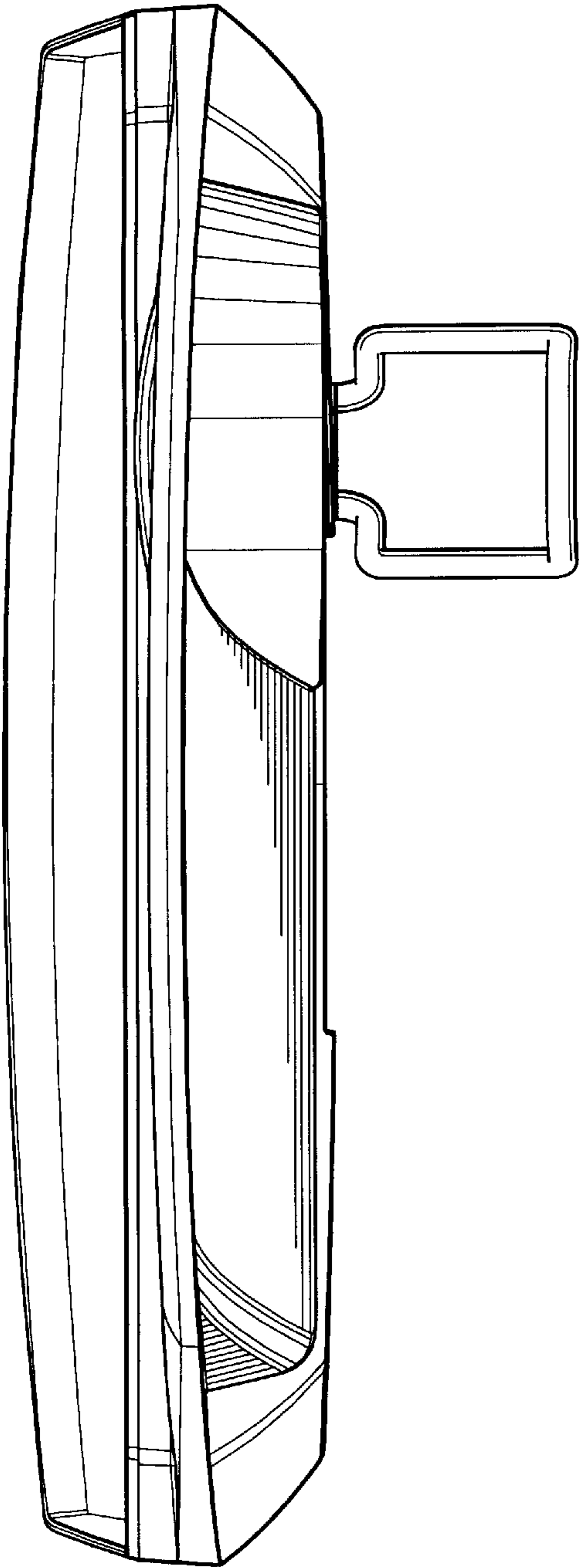


Fig. 6.

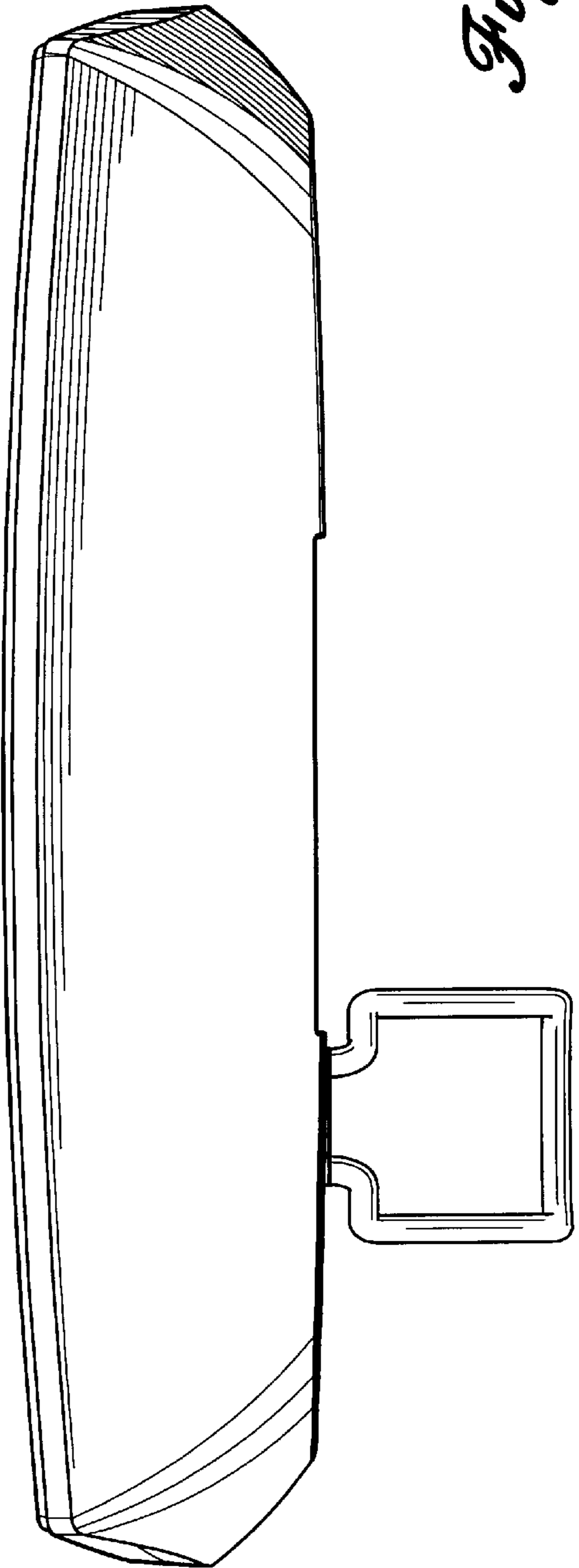


Fig. 7.