



US00D440609S

(12) **United States Design Patent**
Batca et al.

(10) **Patent No.:** **US D440,609 S**

(45) **Date of Patent:** **** Apr. 17, 2001**

(54) **MULTI-STATION EXERCISE MACHINE**

(76) Inventors: **L. Ron Batca; Roger Batca**, both of
3102 Shaftsbury St., Durham, NC (US)
27704

(**) Term: **14 Years**

(21) Appl. No.: **29/118,489**

(22) Filed: **Feb. 9, 2000**

(51) **LOC (7) Cl.** **21-02**

(52) **U.S. Cl.** **D21/675; D21/676**

(58) **Field of Search** D21/662, 673,
D21/675, 676; 482/93, 94, 99, 100, 138,
97, 98, 133, 134, 135

(56) **References Cited**

U.S. PATENT DOCUMENTS

D. 204,397	*	4/1966	Marcyan	D21/675
D. 260,542	*	9/1981	Lambert, Jr.	D21/675
D. 320,247	*	9/1991	Johnson et al.	D21/675
D. 370,039	*	5/1996	May et al.	D21/675
D. 370,040	*	5/1996	Habing et al.	D21/675
4,354,675	*	10/1982	Barclay et al.	482/138
4,390,179	*	6/1983	Szkalak	482/138
4,809,972	*	3/1989	Rasmussen et al.	482/99
5,263,915	*	11/1993	Habing	482/99
5,417,633	*	5/1995	Habing	482/97
5,514,060	*	5/1996	Hu	482/136
5,779,601	*	7/1998	Ish, III	482/100

OTHER PUBLICATIONS

Pamphlet entitled "M4 The Ultimate in Fitness Training" (4 pages).

Pamphlet entitled "Personal Trainer 2000" (2 pages).

Pamphlet entitled "Personal Trainer 2100" (2 pages).

Pamphlet entitled "Ultra Trainer 3000" (2 pages).

Pamphlet entitled "Ultra Trainer 3100" (2 pages).

* cited by examiner

Primary Examiner—Philip S. Hyder

(74) *Attorney, Agent, or Firm*—Coats & Bennett, P.L.L.C.

(57) **CLAIM**

The ornamental design for multi-station exercise machine, as shown and described.

DESCRIPTION

FIG. 1 is a front view of the multi-station exercise machine in accordance with the present invention;

FIG. 2 is a left side view of the present invention;

FIG. 3 is a right side view of the present invention;

FIG. 4 is a back view of the present invention;

FIG. 5 is a top view of the present invention;

FIG. 6 is a perspective view showing the front and right side of the present invention;

FIG. 7 is a perspective view showing the front and left side of the present invention;

FIG. 8 is a perspective view showing the back and right of the present invention; and,

FIG. 9 is a perspective view showing the back and left of the present invention.

1 Claim, 9 Drawing Sheets

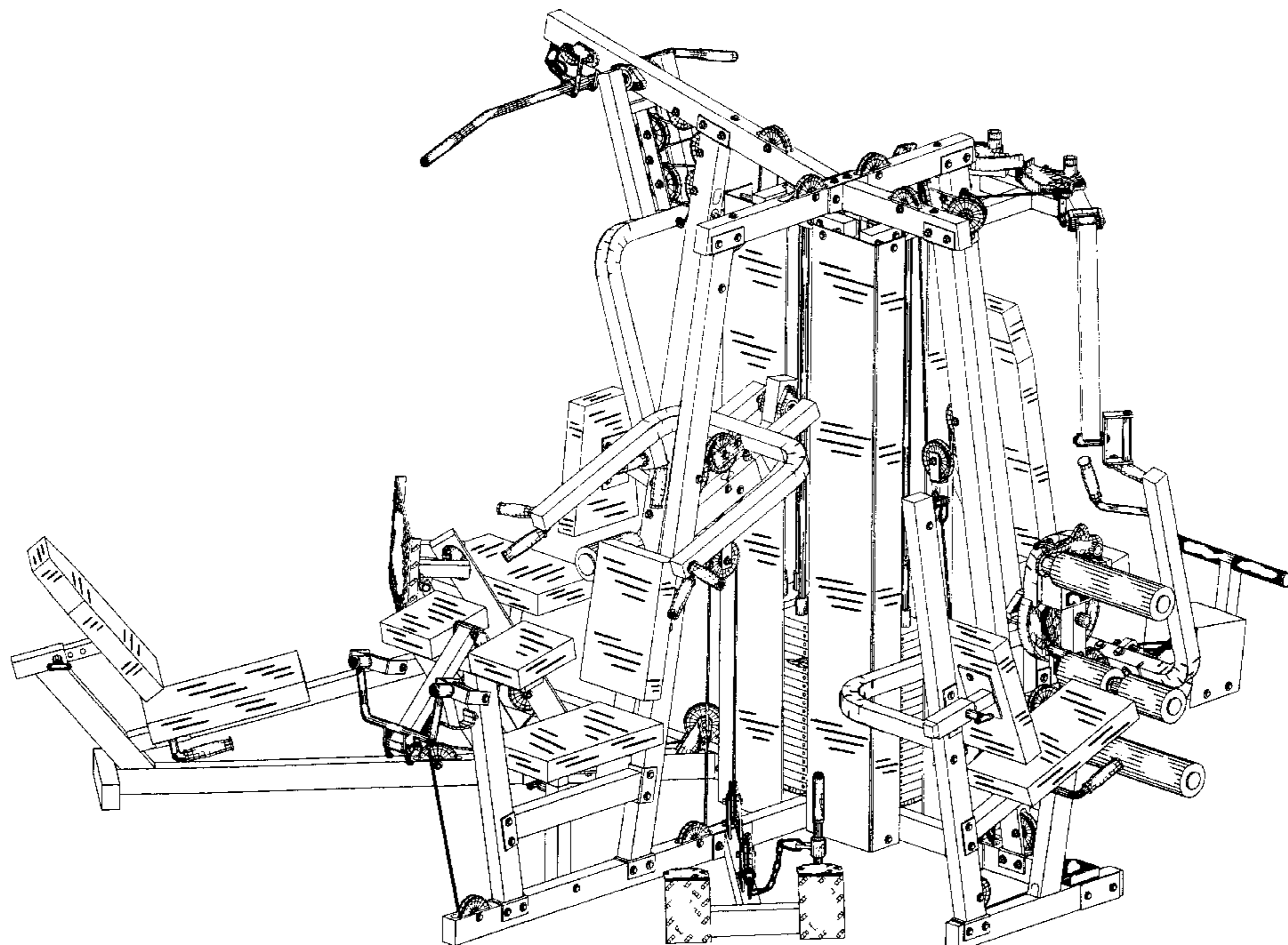


FIG. 1

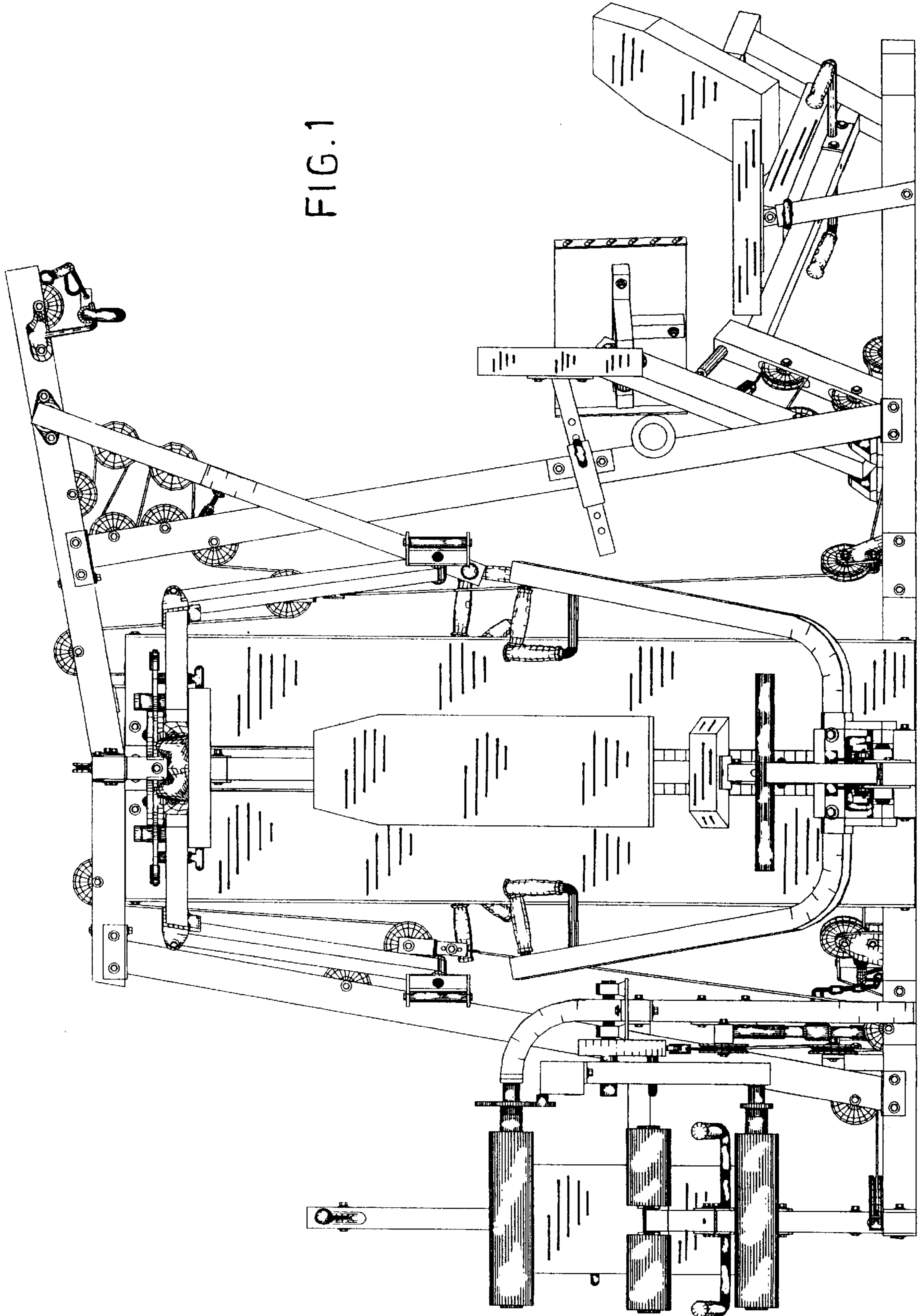


FIG. 2

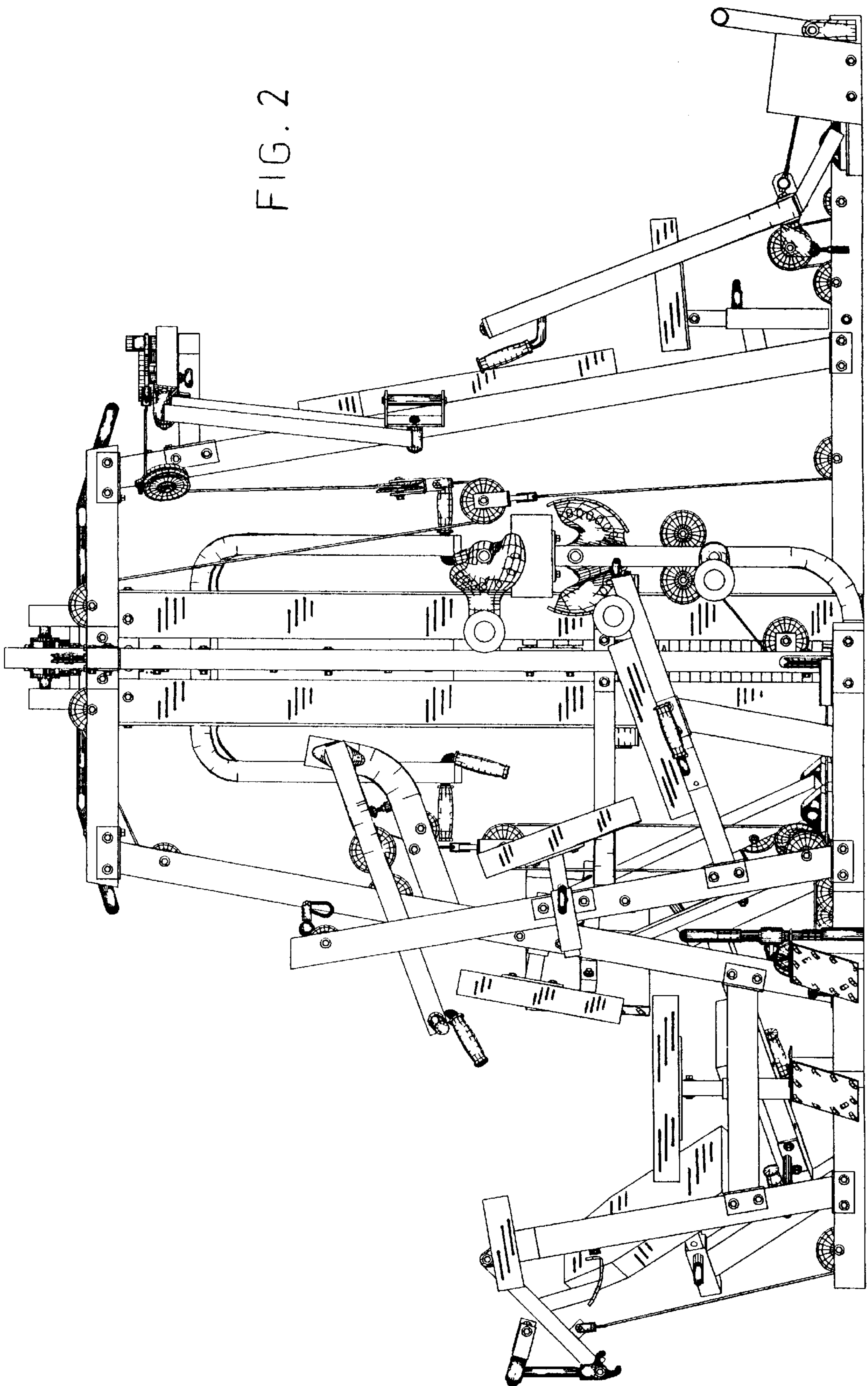


FIG. 3

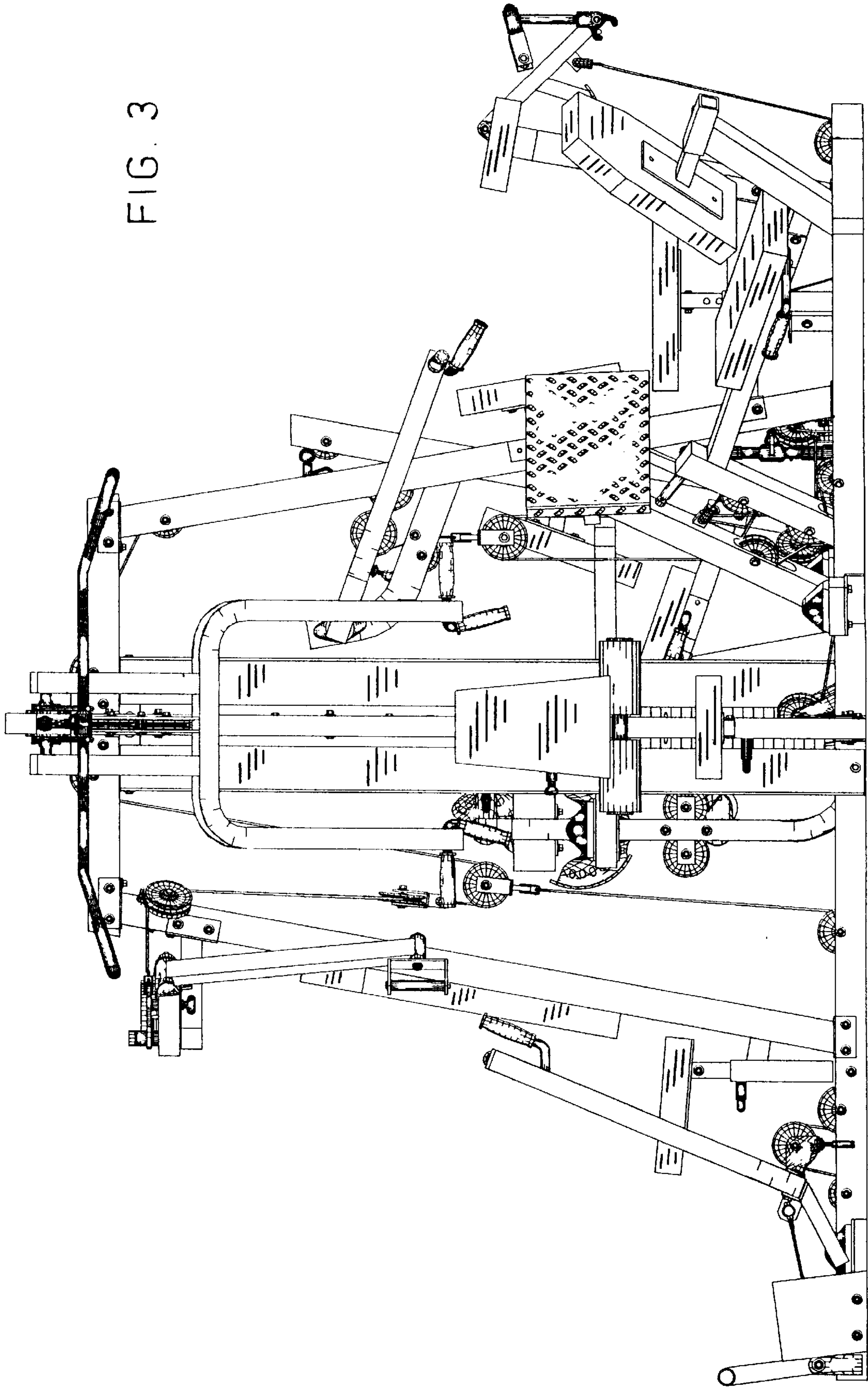


FIG. 4

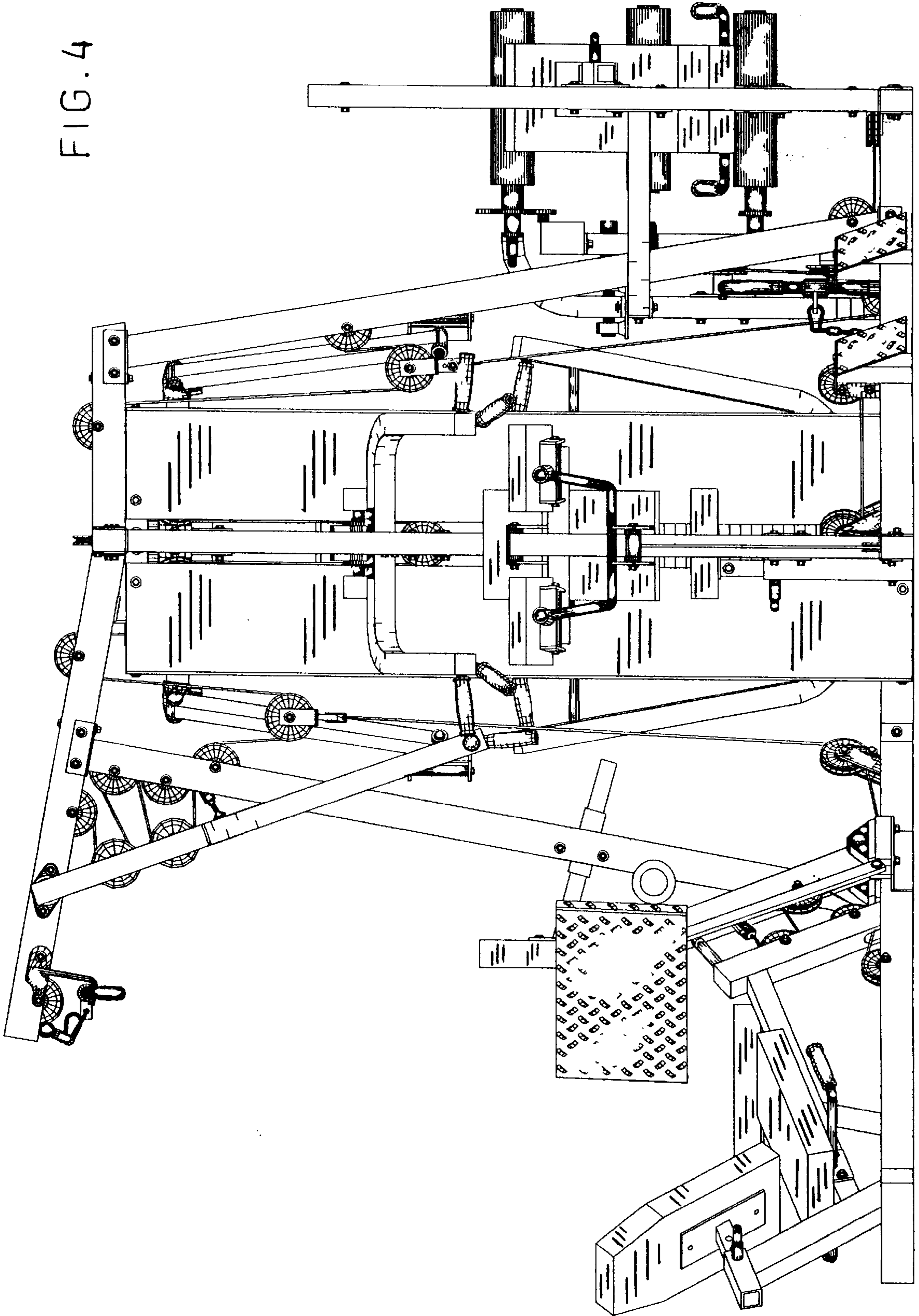


FIG. 5

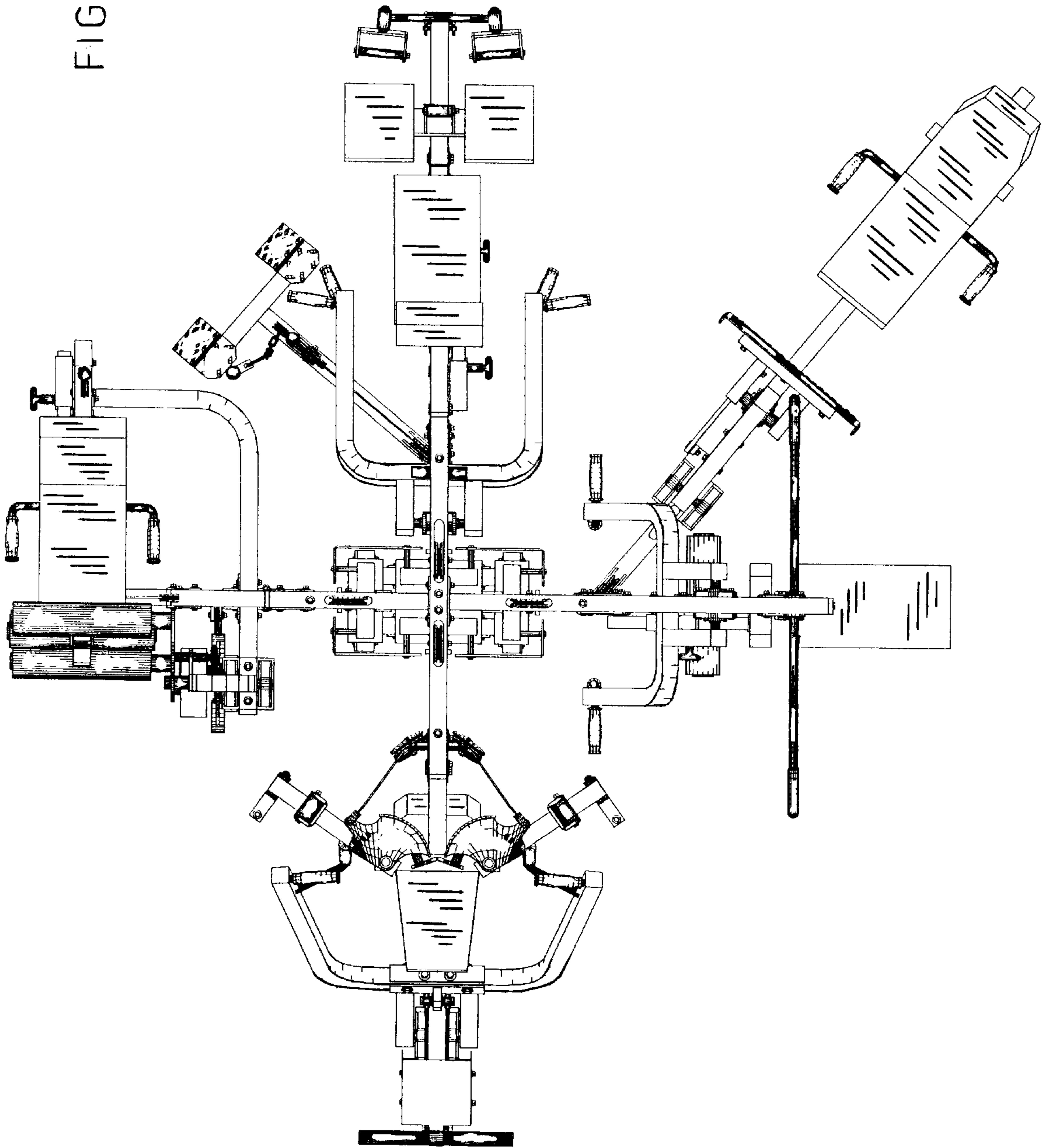


FIG. 6

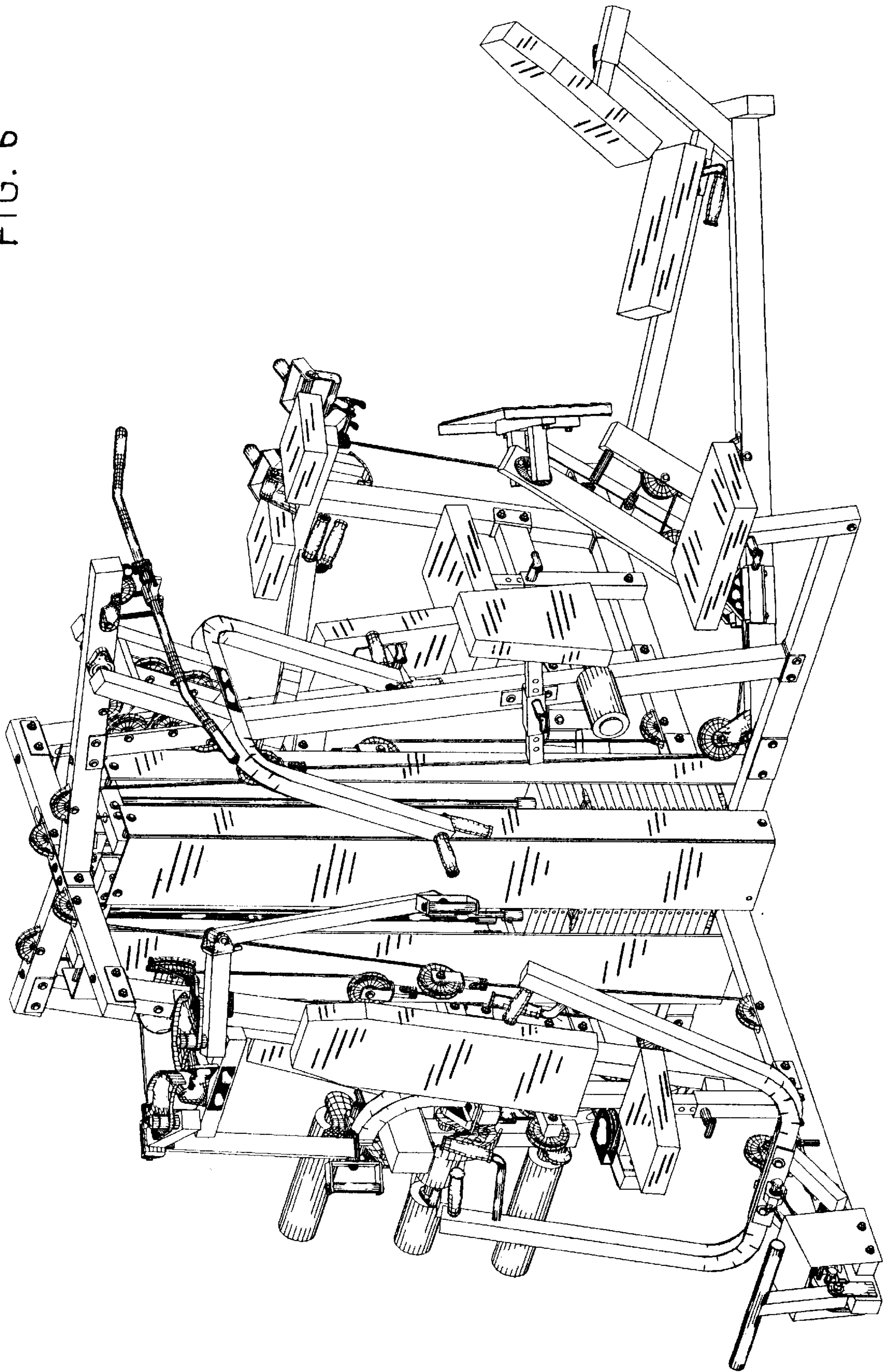


FIG. 7

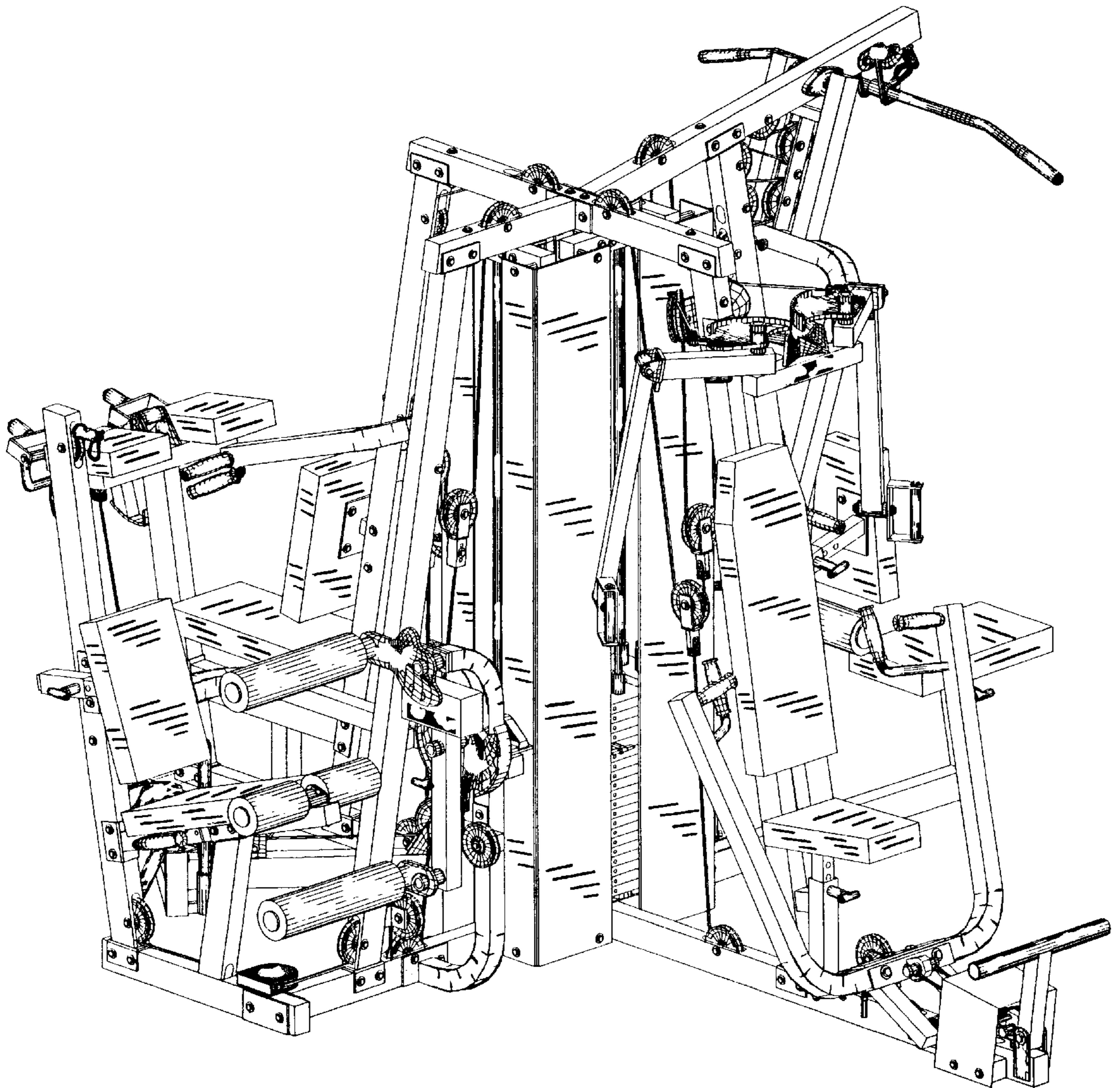
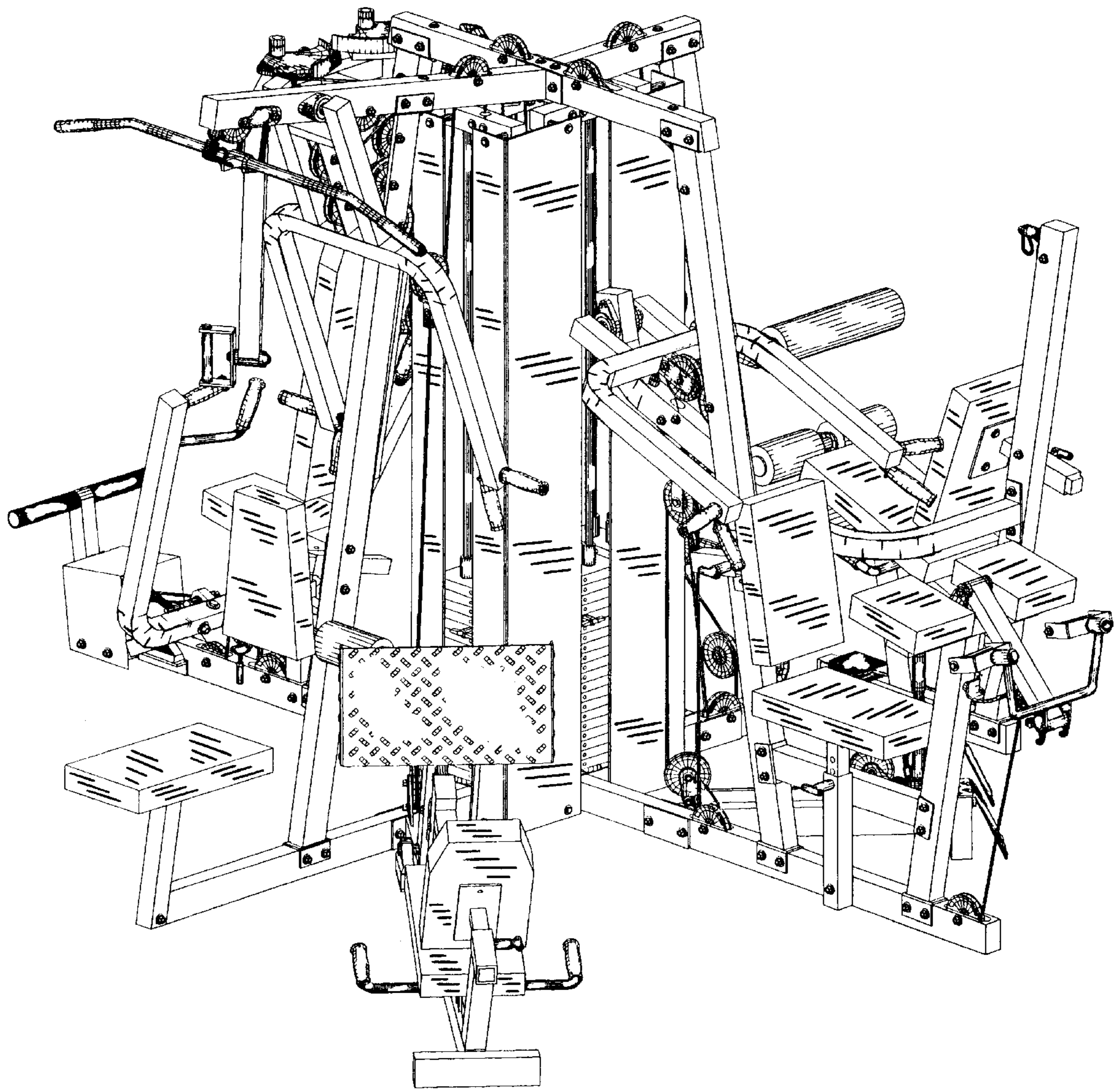


FIG. 8



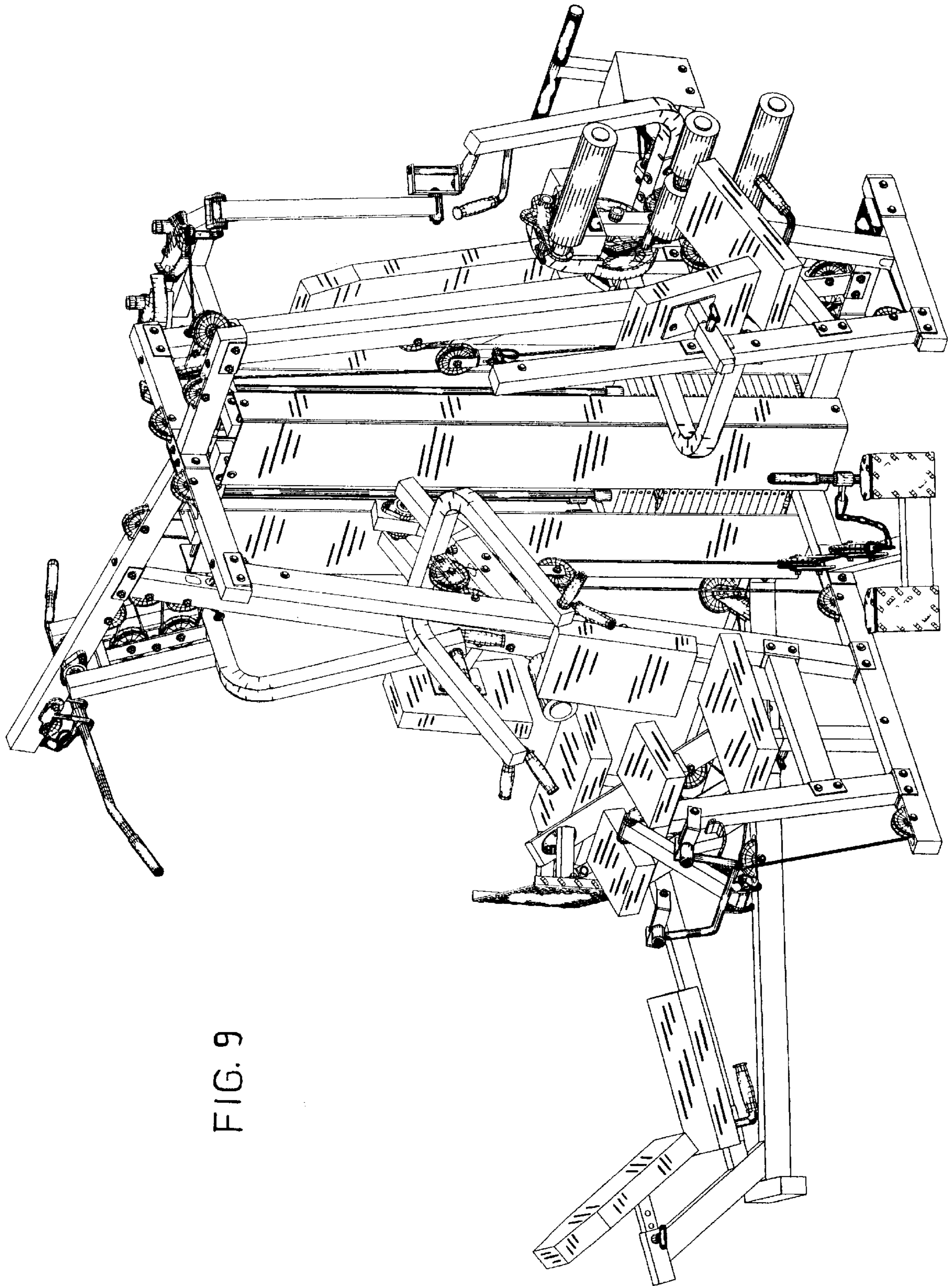


FIG. 9