



US00D440607S

(12) **United States Design Patent**  
**Mahlow**

(10) **Patent No.:** **US D440,607 S**

(45) **Date of Patent:** **\*\* Apr. 17, 2001**

(54) **RIDING TOY**

(76) Inventor: **Adriana Mahlow**, 4195 Chino Hills  
Pkw. #PMB-317, Chino Hills, CA  
(US) 91709

(\*\*) Term: **14 Years**

(21) Appl. No.: **29/132,633**

(22) Filed: **Nov. 13, 2000**

(51) **LOC (7) Cl.** ..... **21-01**

(52) **U.S. Cl.** ..... **D21/424; D21/419; D21/433;**  
**D21/765**

(58) **Field of Search** ..... **D21/419-435,**  
**D21/533, 534, 548-551, 760, 763, 765,**  
**771; 280/87.01, 87.021, 87.03, 87.041,**  
**87.042; 446/396, 326, 29, 223, 325, 432,**  
**226, 451, 465, 470**

(56) **References Cited**

**U.S. PATENT DOCUMENTS**

D. 235,675 \* 7/1975 Moustakas ..... D21/424  
D. 252,714 \* 8/1979 Tidwell ..... D21/426

D. 276,058 \* 10/1984 Rogers ..... D21/426  
D. 277,199 \* 1/1985 Miller ..... D21/433  
D. 332,977 \* 2/1993 Huffman et al. .... D21/423  
4,095,816 \* 6/1978 Langieri ..... 280/87.021  
5,154,436 \* 10/1992 Jez et al. .... 280/87.042  
6,168,175 \* 1/2001 Lan ..... 280/87.041

\* cited by examiner

*Primary Examiner*—Raphael Barkai

(74) *Attorney, Agent, or Firm*—Goldstein & Canino

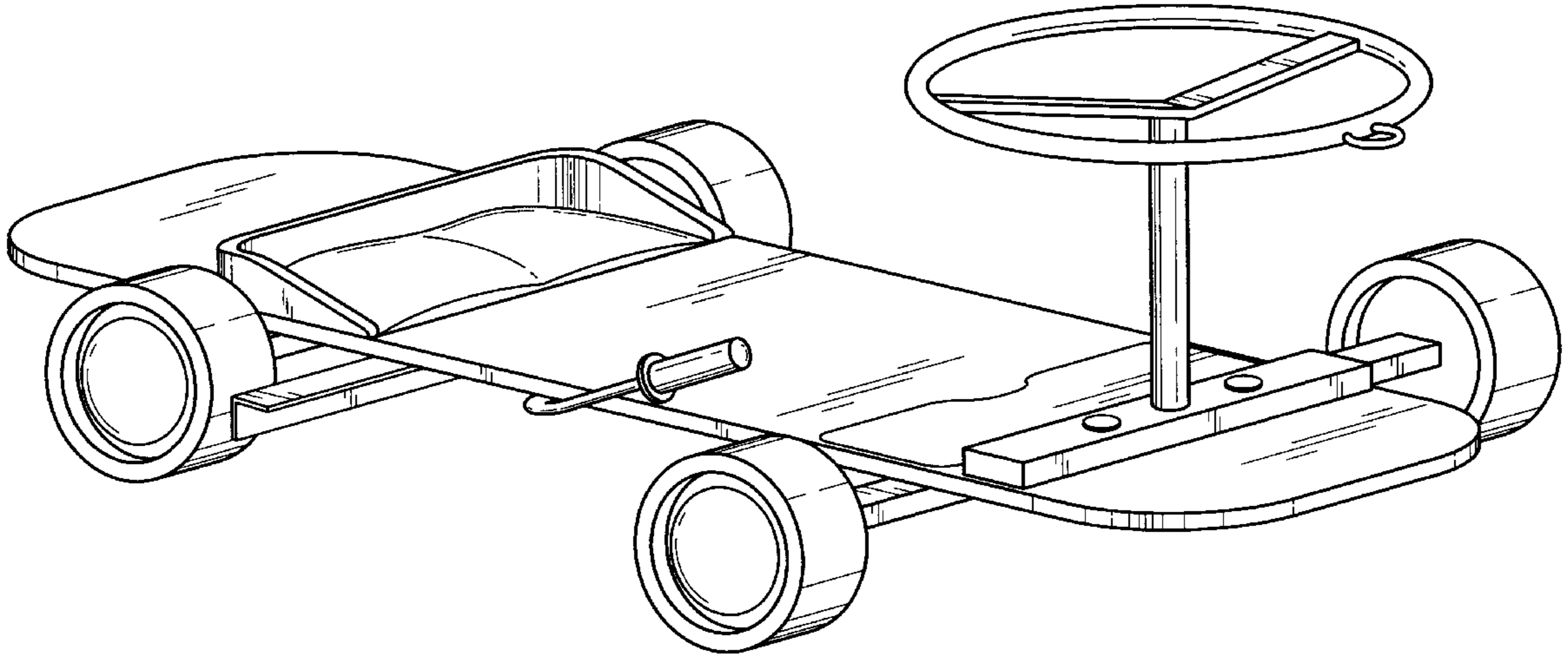
(57) **CLAIM**

The ornamental design for a riding toy, as shown and described.

**DESCRIPTION**

FIG. 1 is a perspective view of a riding toy.  
FIG. 2 is a top plan view thereof.  
FIG. 3 is a bottom plan view thereof.  
FIG. 4 is a right side elevational view thereof.  
FIG. 5 is a left side elevational view thereof.  
FIG. 6 is a front elevational view of the riding toy; and,  
FIG. 7 is a rear elevational view thereof.

**1 Claim, 4 Drawing Sheets**



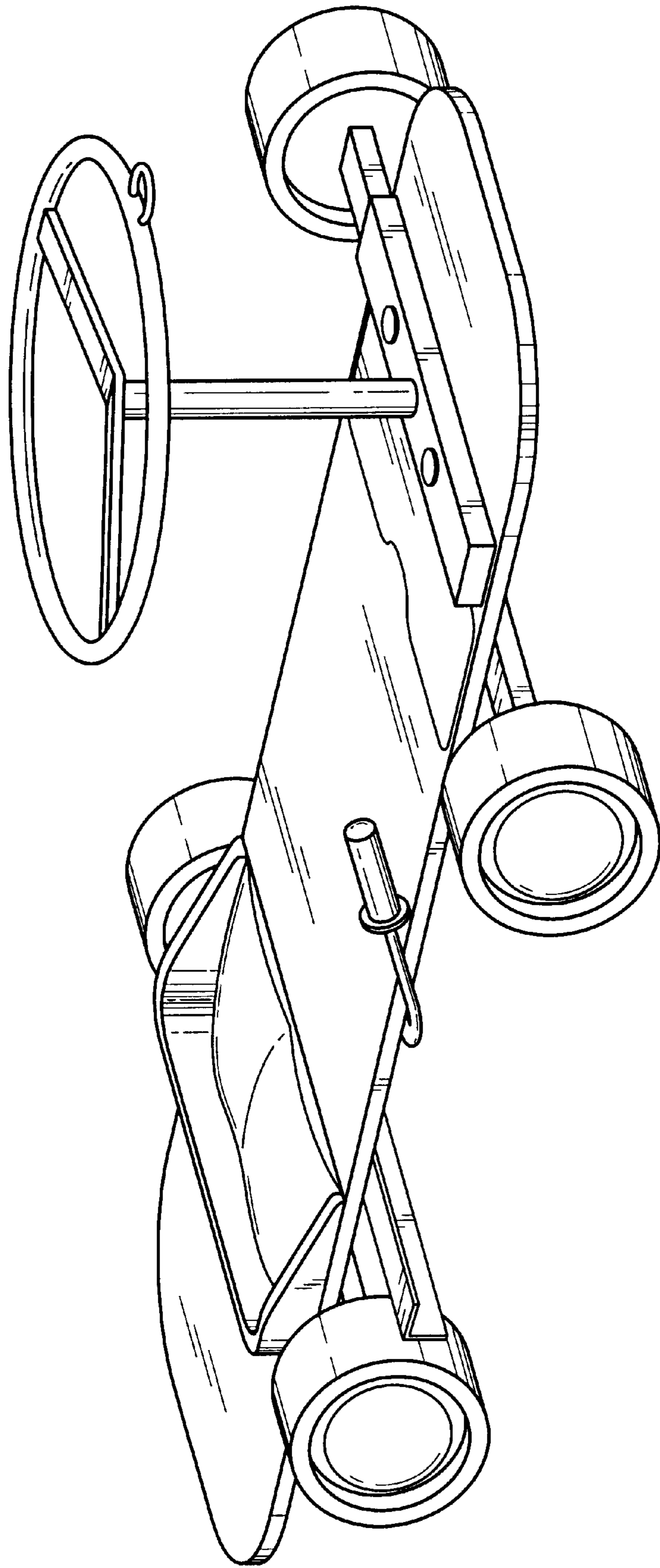


Fig. 1

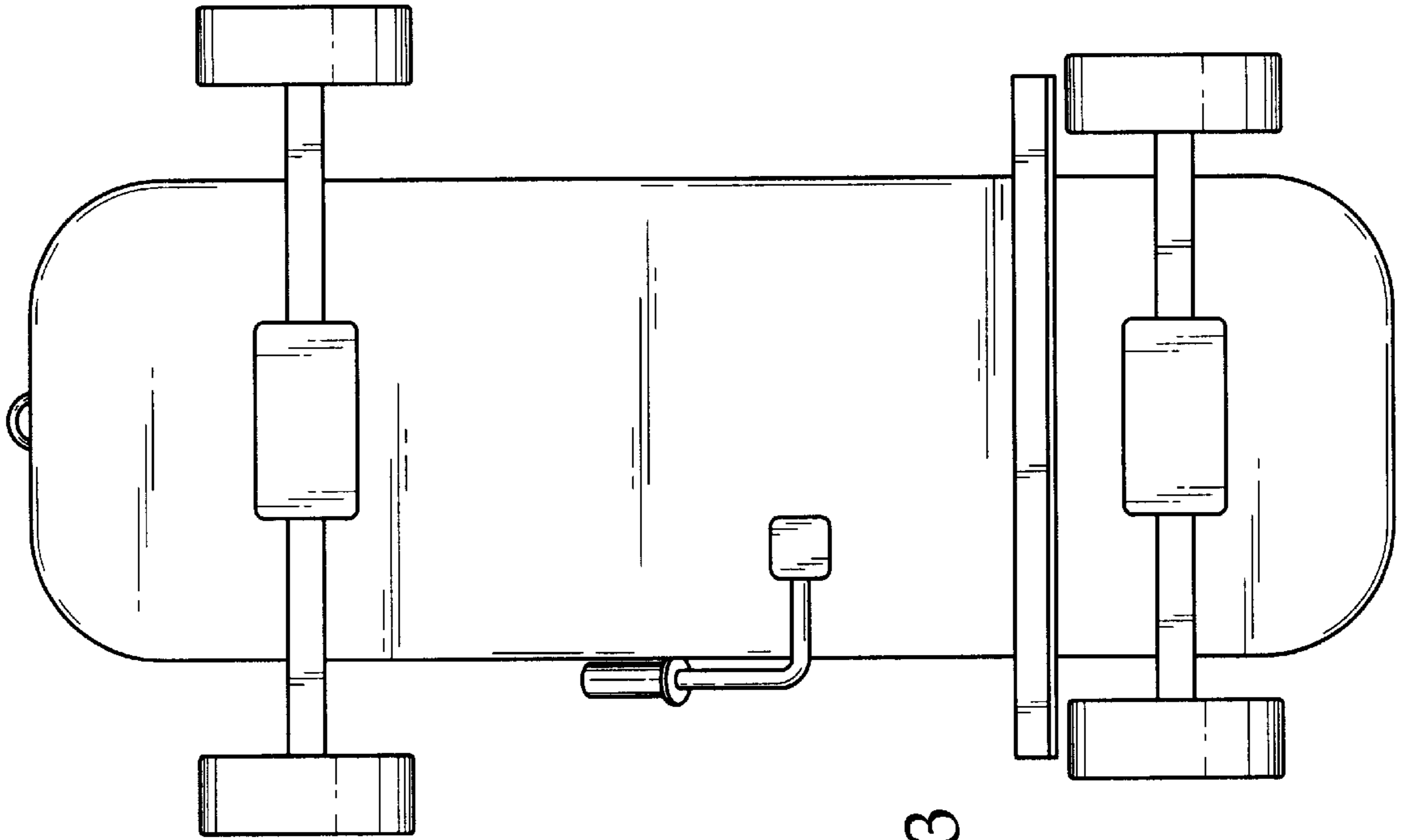


Fig. 2

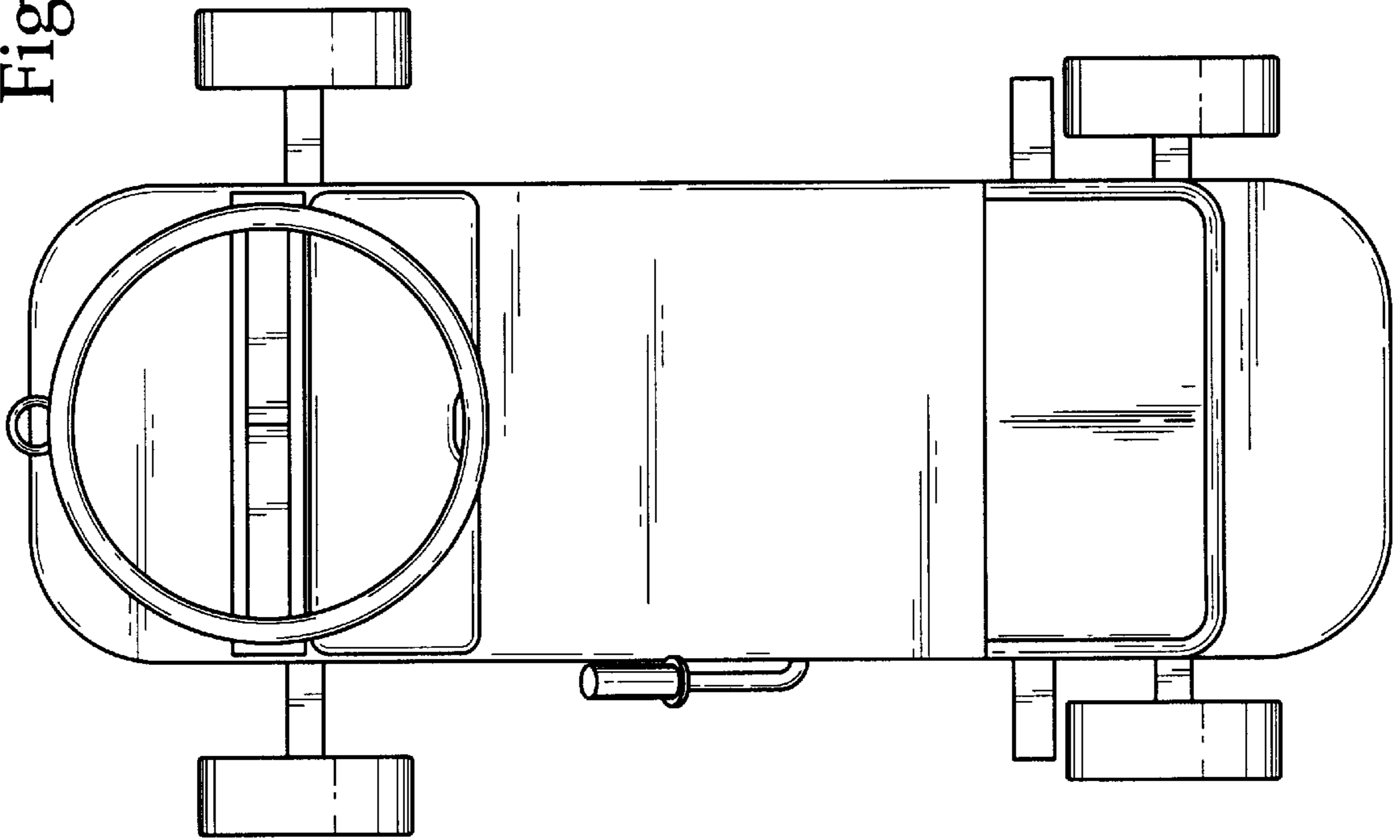


Fig. 3

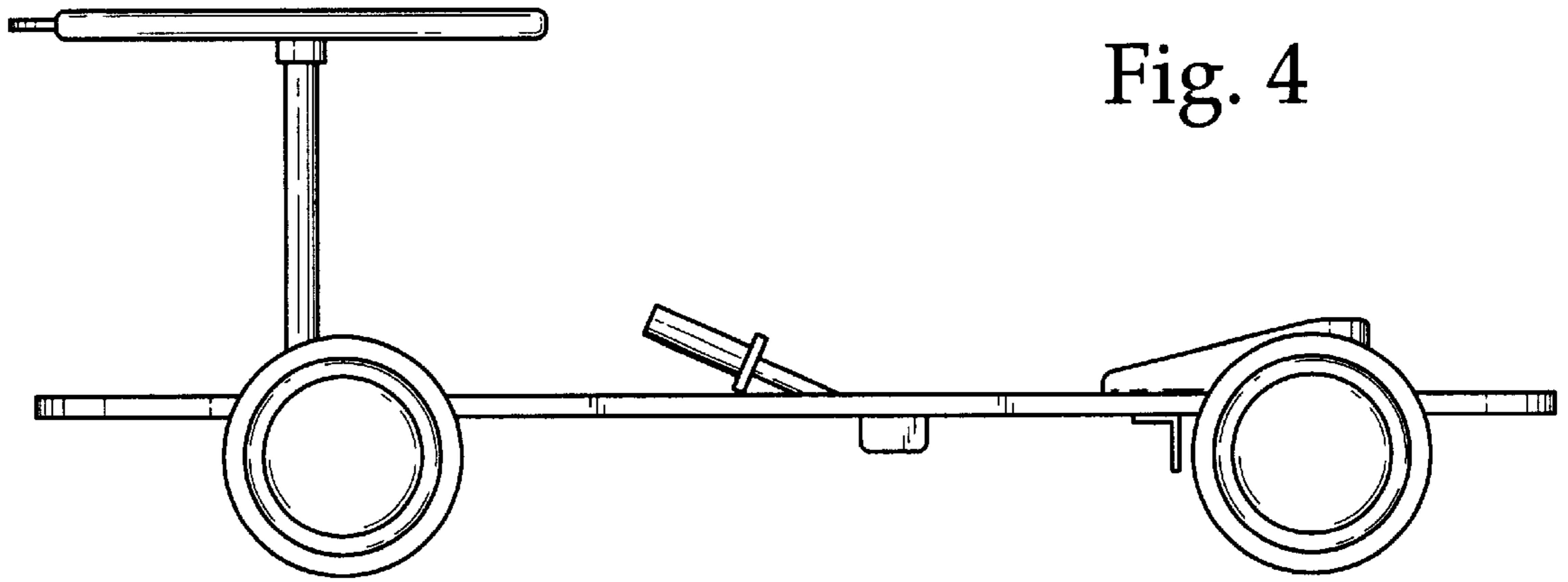


Fig. 4

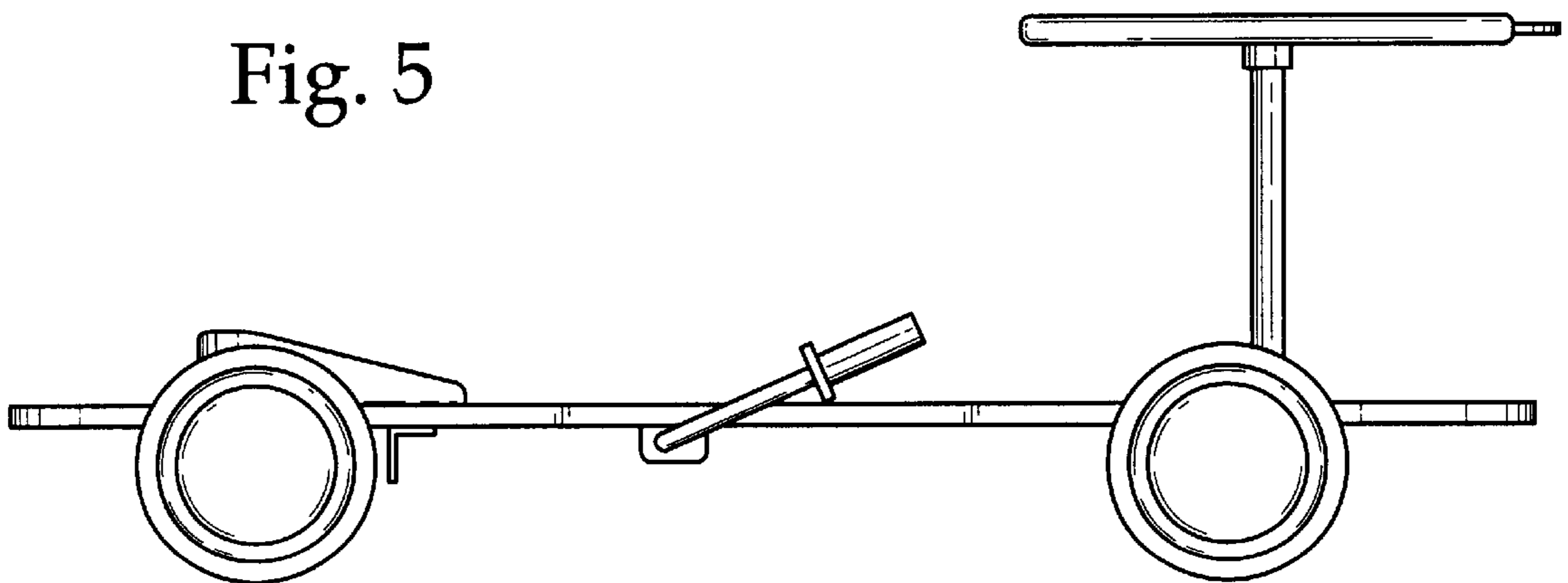


Fig. 5

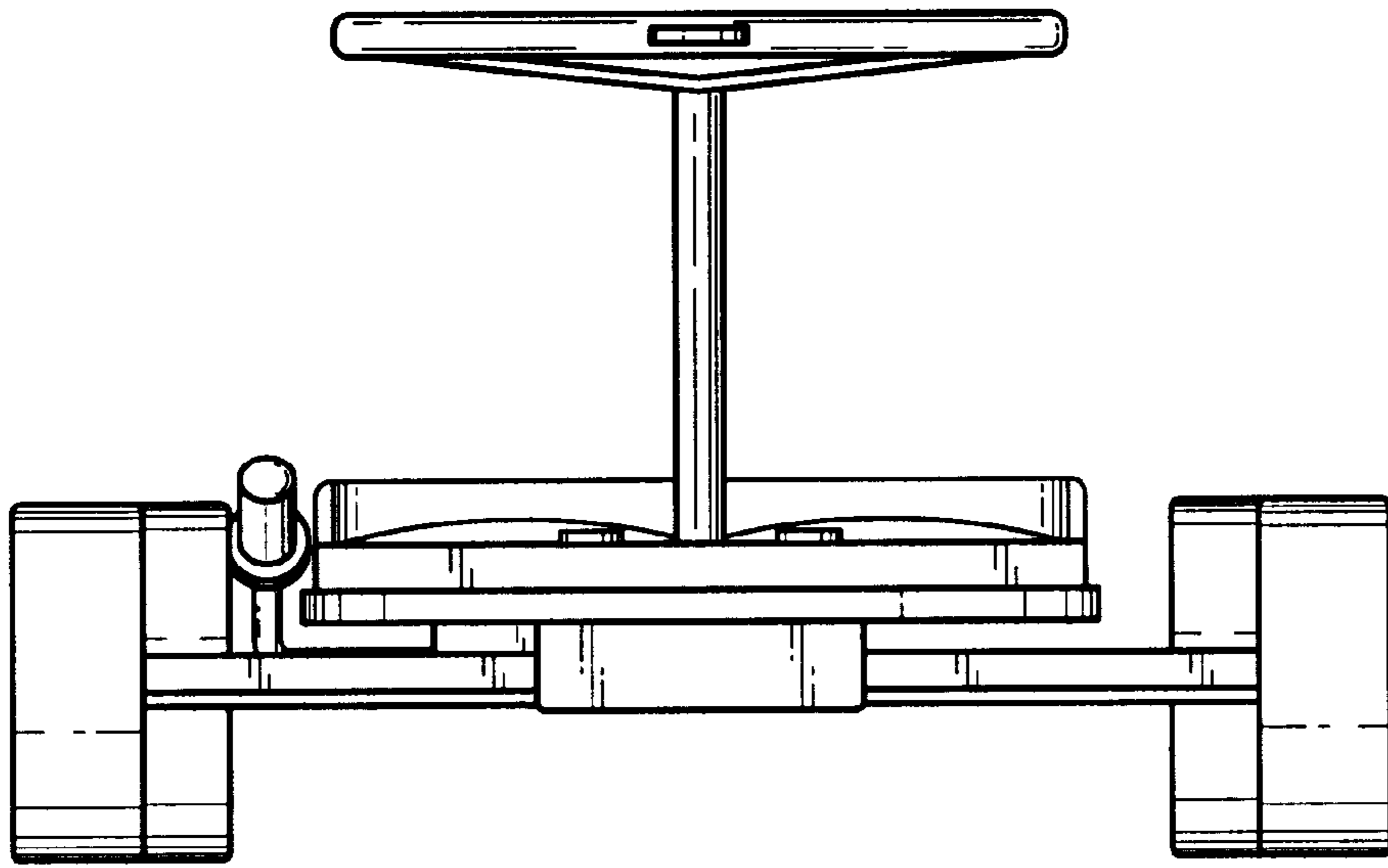


Fig. 6

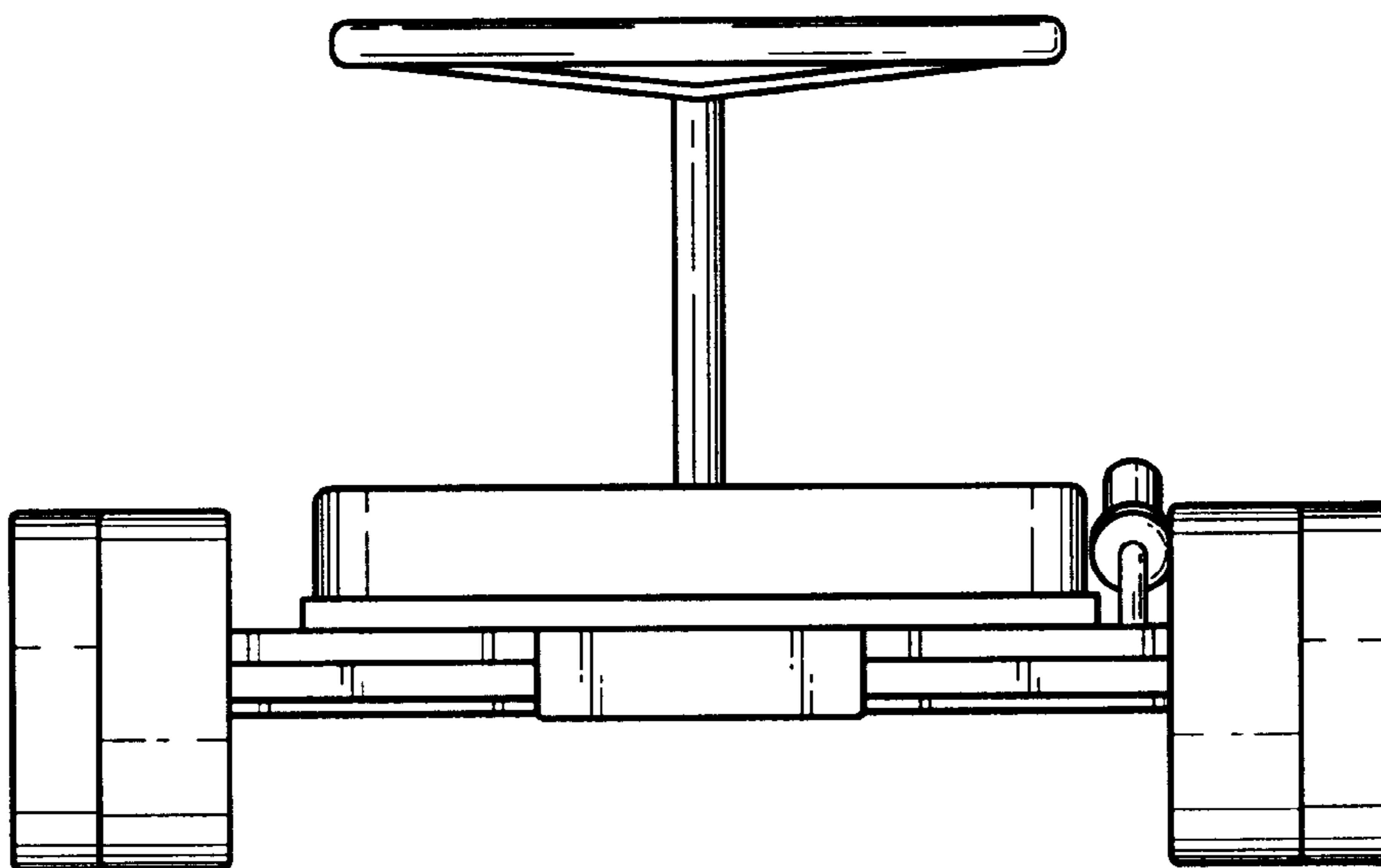


Fig. 7