



US00D440606S

(12) **United States Design Patent**
Mueller

(10) **Patent No.:** **US D440,606 S**

(45) **Date of Patent:** **** Apr. 17, 2001**

(54) **TICKET HOLDER**

(75) **Inventor:** **Paul A. Mueller**, Wadsworth, OH (US)

(73) **Assignee:** **Fasteners For Retail, Inc.**, Cleveland, OH (US)

(**) **Term:** **14 Years**

(21) **Appl. No.:** **29/099,517**

(22) **Filed:** **Jan. 22, 1999**

(51) **LOC (7) Cl.** **20-02**

(52) **U.S. Cl.** **D20/43**

(58) **Field of Search** 40/661.06, 642.02,
40/661, 661.07; D20/10, 40, 43, 42

(56) **References Cited**

U.S. PATENT DOCUMENTS

- D. 249,766 * 10/1978 Munn D20/43 X
- D. 392,332 * 3/1998 Ruprecht D20/43
- D. 393,490 * 4/1998 Burch D20/43
- 5,375,803 12/1994 Kump .

OTHER PUBLICATIONS

Fasteners for Retail Brochure of Apr. 1998, entitled "Fasteners for Retail Yellow Pages", Cover, last page and pp. 28 and 29.

* cited by examiner

Primary Examiner—Susan J. Lucas

Assistant Examiner—Jennifer Rivard

(74) *Attorney, Agent, or Firm*—Fay, Sharpe, Fagan, Minnich & McKee, LLP

(57) **CLAIM**

The ornamental design for a ticket holder, as shown and described.

DESCRIPTION

FIG. 1 is a perspective view of a ticket holder showing my new design;

FIG. 2 is a front elevational view thereof;

FIG. 3 is a rear elevational view thereof;

FIG. 4 is a top plan view thereof;

FIG. 5 is a right side elevational view thereof, with the left side elevational view being a mirror image thereof;

FIG. 6 is a bottom plan view thereof; and,

FIG. 7 is a perspective view of the ticket holder in an unfolded position.

The portions shown in dotted lines in FIG. 1 show the environment of the ticket holder and form no part of the claimed design.

1 Claim, 3 Drawing Sheets

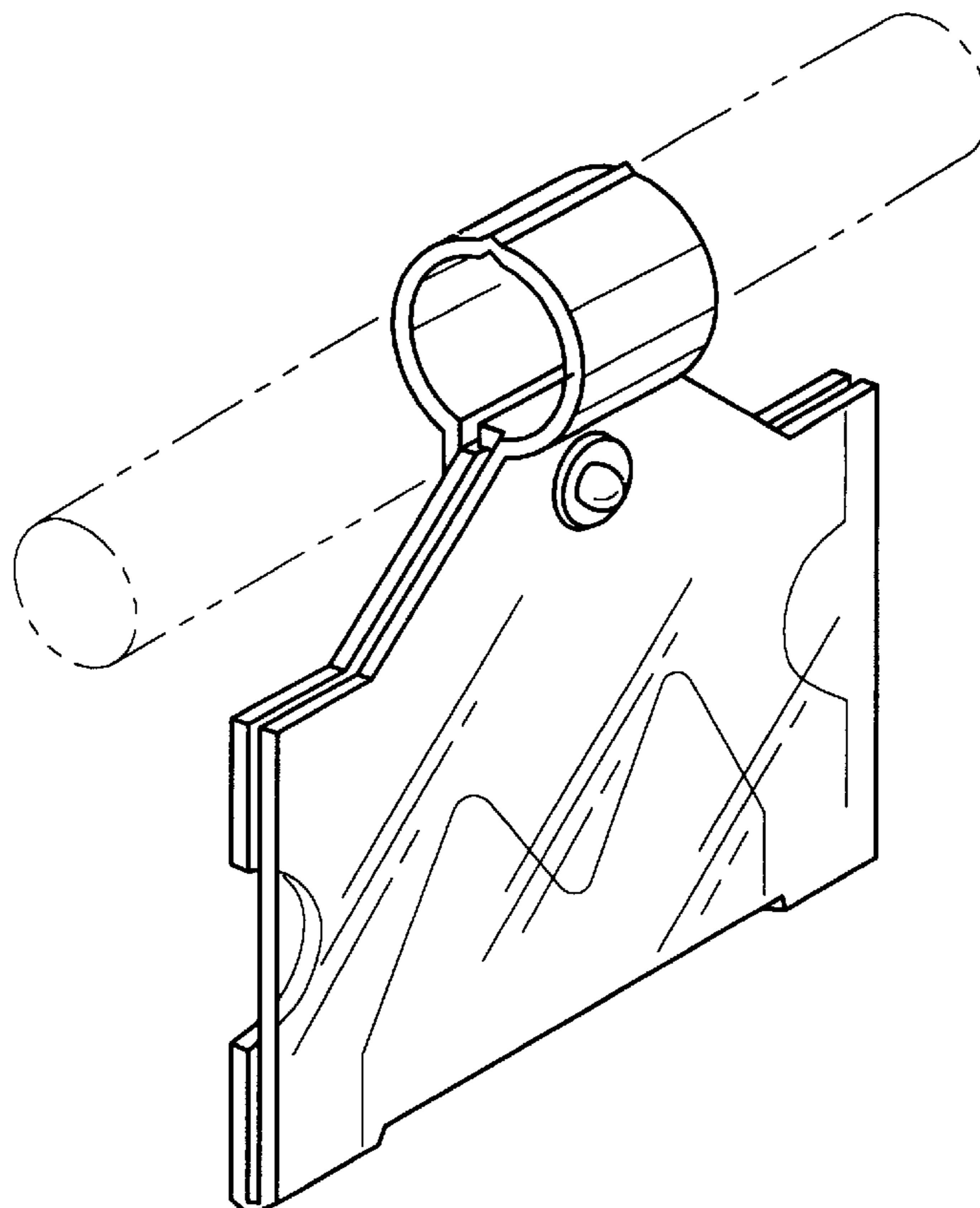


FIG. 1

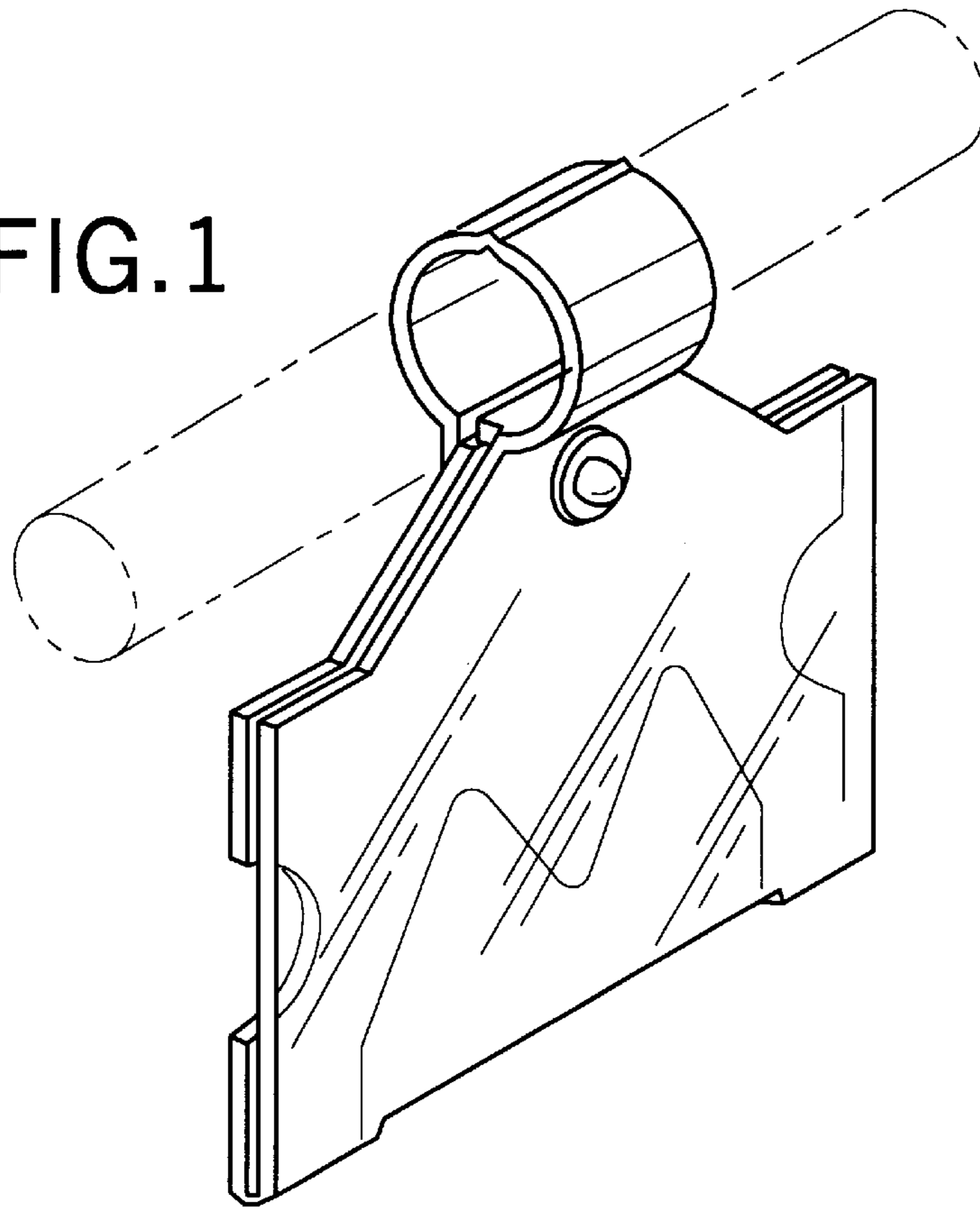


FIG. 2

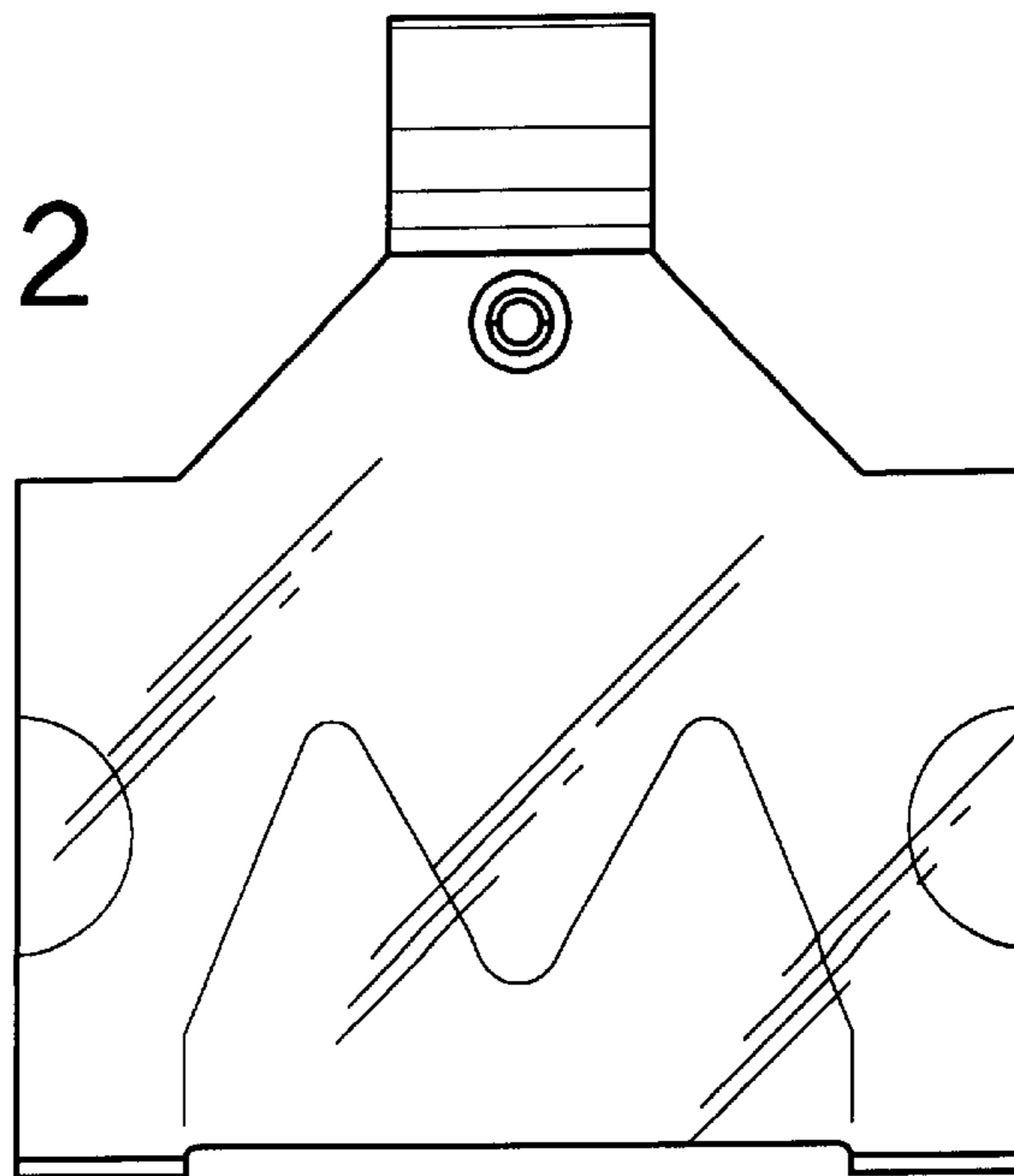


FIG.4

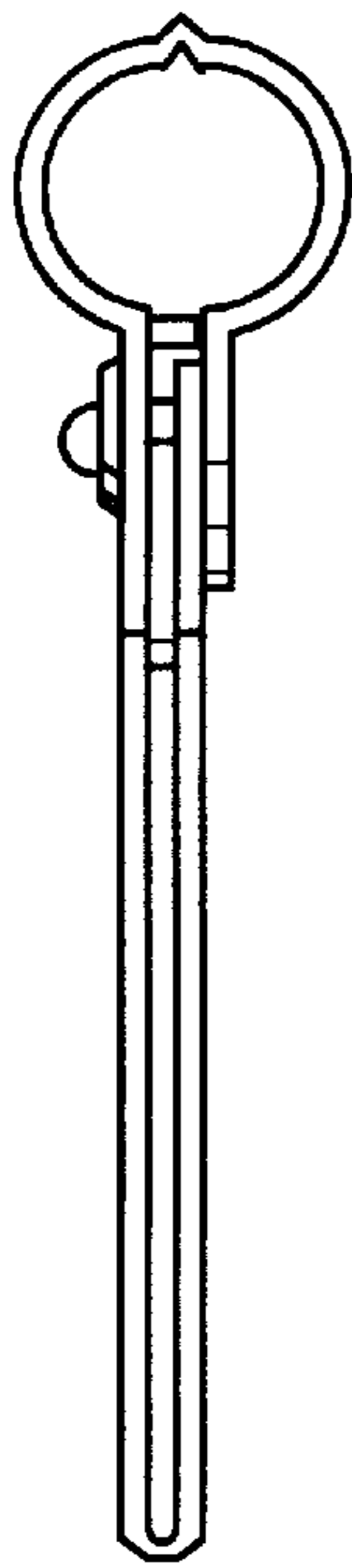
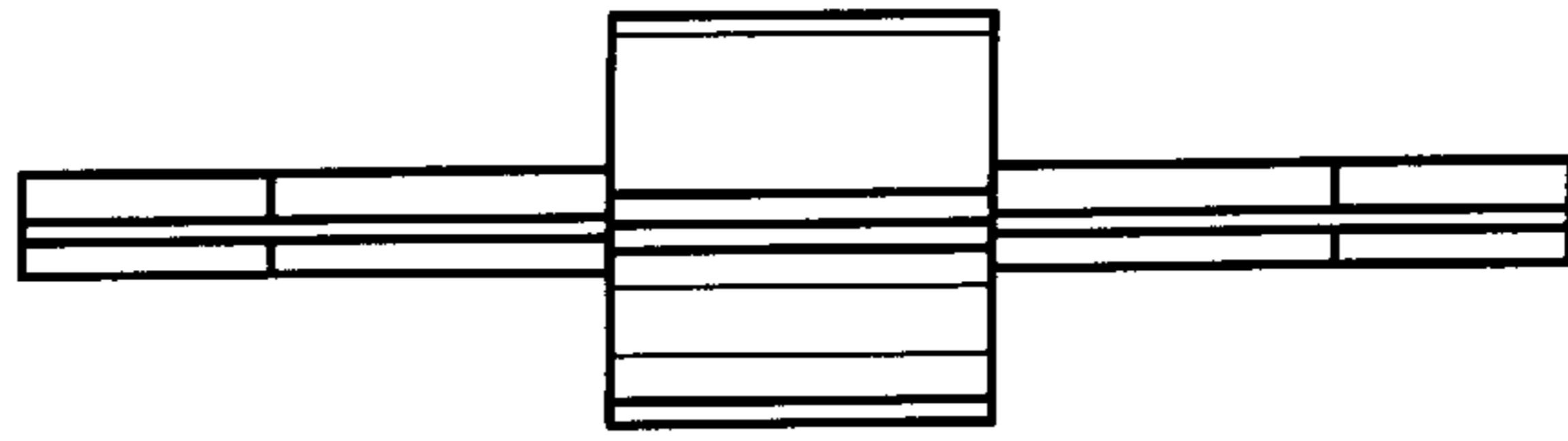


FIG.5

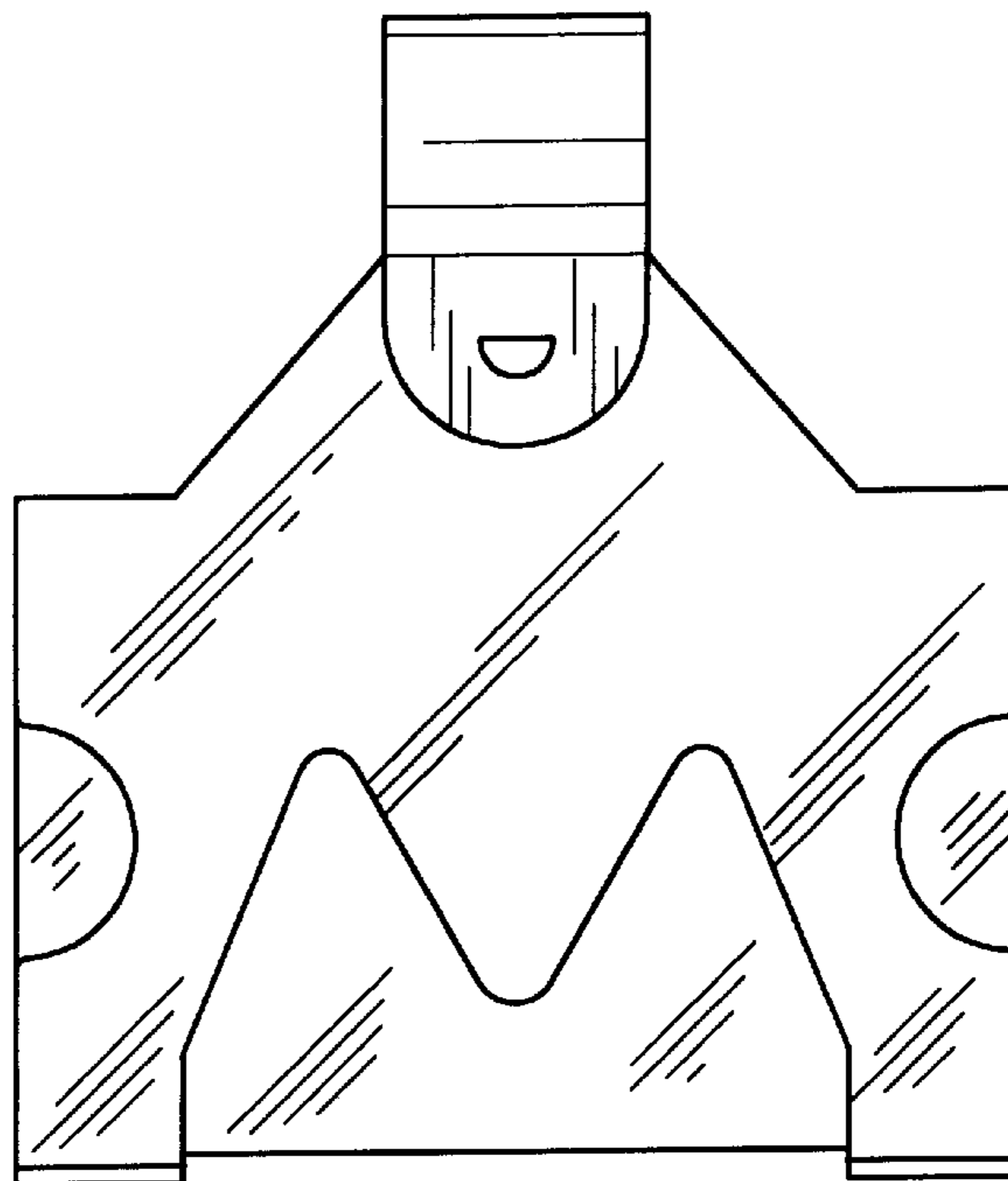
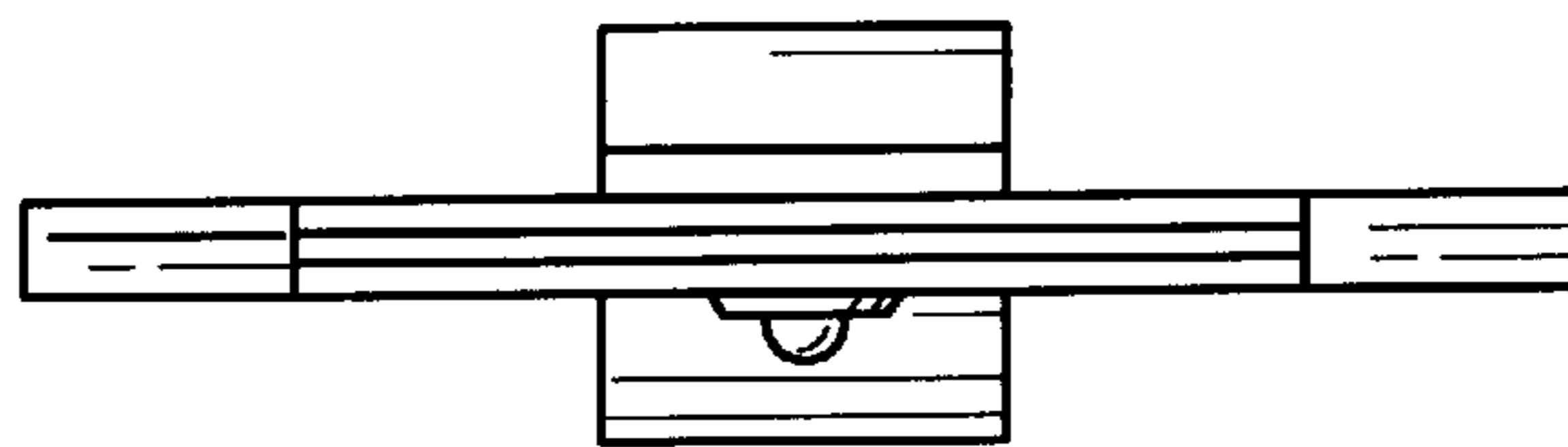


FIG.3

FIG.6



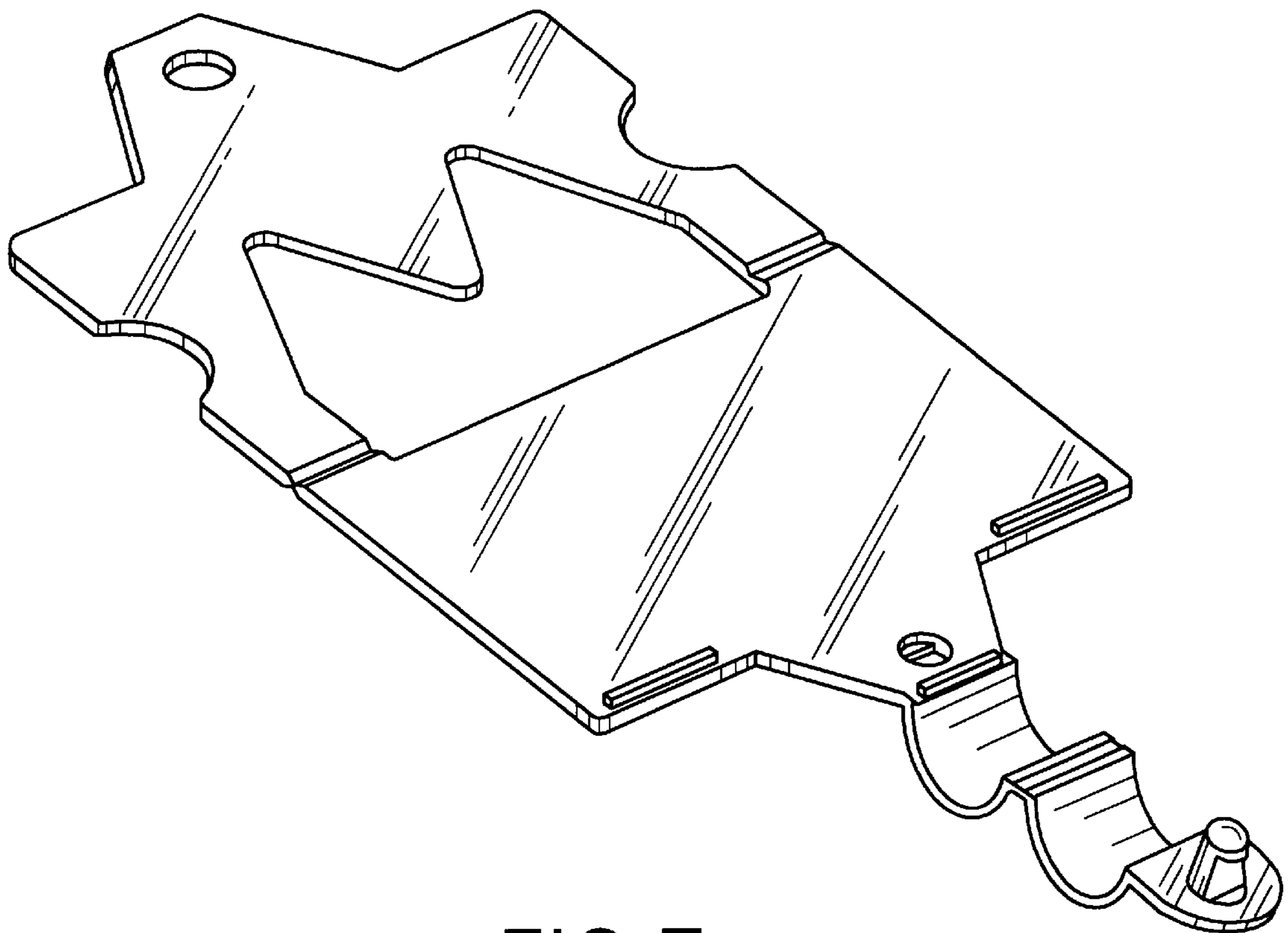


FIG. 7