



US00D440598S

(12) **United States Design Patent**  
**Maeda et al.**

(10) **Patent No.:** **US D440,598 S**

(45) **Date of Patent:** **\*\* Apr. 17, 2001**

(54) **END PIECE FOR INK CARTRIDGE FOR INK JET PRINTER**

D. 395,669 \* 6/1998 Carlotta et al. .... D18/56  
D. 395,916 \* 7/1998 Inoue et al. .... D18/56

(75) Inventors: **Hiroyuki Maeda**, Yokohama; **Iwao Kawamura**, Kunitachi; **Kazunori Namai**, Yokohama; **Takuya Yasumitsu**, Kawasaki, all of (JP)

\* cited by examiner

*Primary Examiner*—Cathy Anne MacCormac  
(74) *Attorney, Agent, or Firm*—Fitzpatrick, Cella, Harper & Scinto

(73) Assignee: **Canon Kabushiki Kaisha**, Tokyo (JP)

(57) **CLAIM**

(\*\*) Term: **14 Years**

The ornamental design for an end piece for ink cartridge for ink jet printer, as shown and described.

(21) Appl. No.: **29/113,676**

**DESCRIPTION**

(22) Filed: **Nov. 10, 1999**

(30) **Foreign Application Priority Data**

May 14, 1999 (JP) ..... 11-12706

(51) **LOC (7) Cl.** ..... **18-02**

(52) **U.S. Cl.** ..... **D18/56**

(58) **Field of Search** ..... D18/56; 347/86, 347/87

FIG. 1 is a front view of an end piece for ink cartridge for ink jet printer showing our new design; FIG. 2 is a top plan view thereof; FIG. 3 is a bottom plan view thereof; FIG. 4 is a left side view thereof; FIG. 5 is a right side view thereof; FIG. 6 is a perspective view as viewed from front and bottom direction thereof; and, FIG. 7 is a perspective view as viewed from rear and top direction thereof.

The broken lines are for purposes of illustration only and form no part of the claimed design.

(56) **References Cited**

**U.S. PATENT DOCUMENTS**

D. 269,280 \* 6/1983 Reinke ..... D18/56  
D. 270,736 \* 9/1983 Becker ..... D18/56

**1 Claim, 6 Drawing Sheets**

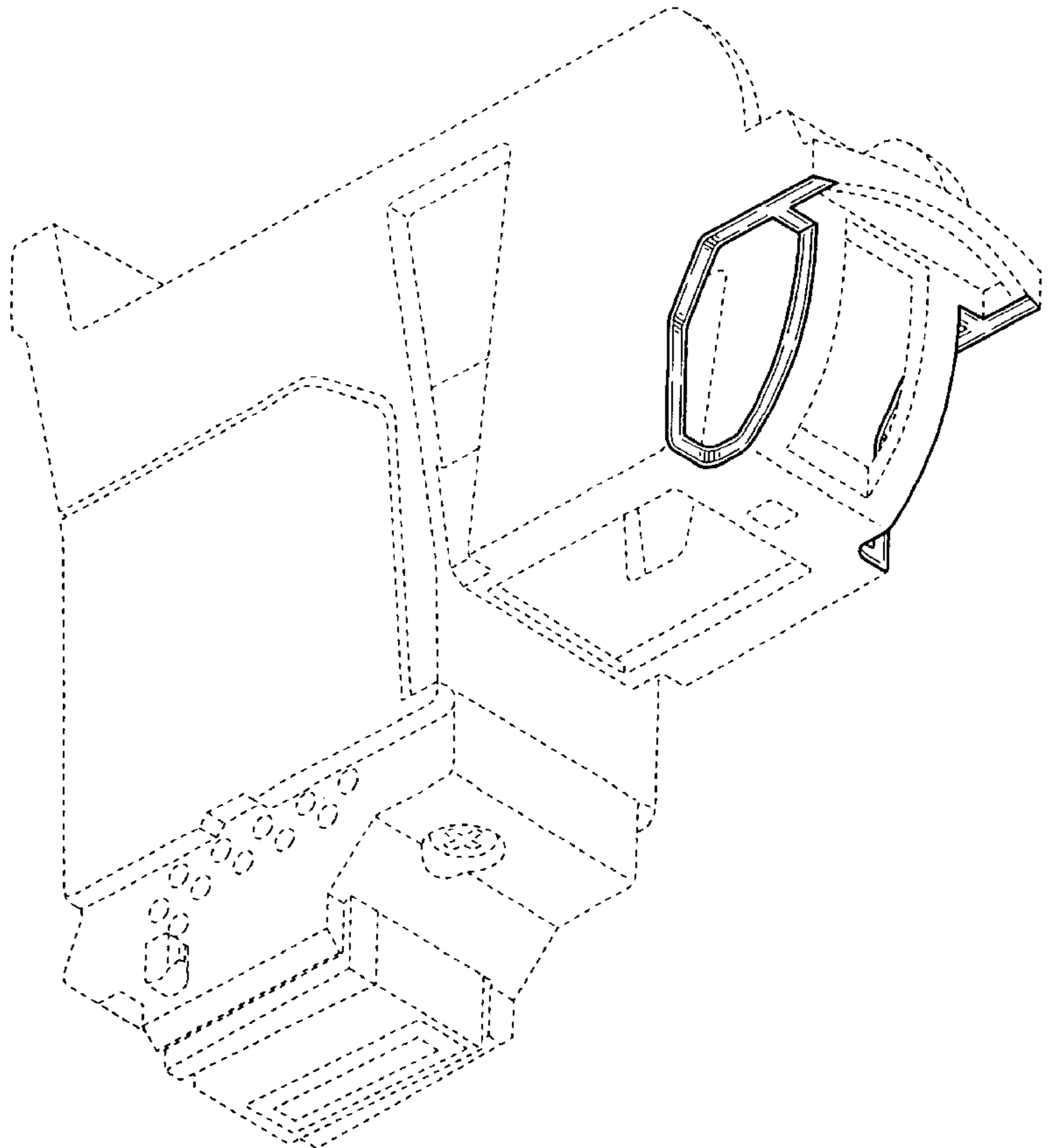
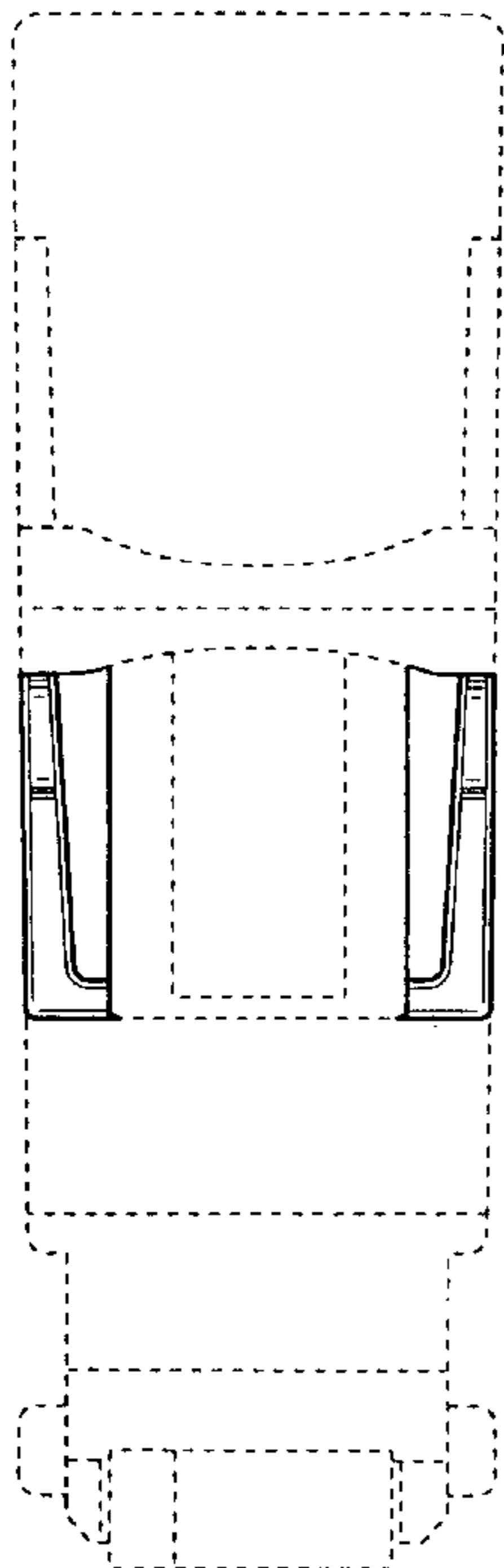


FIG. 3 is a bottom plan view thereof;

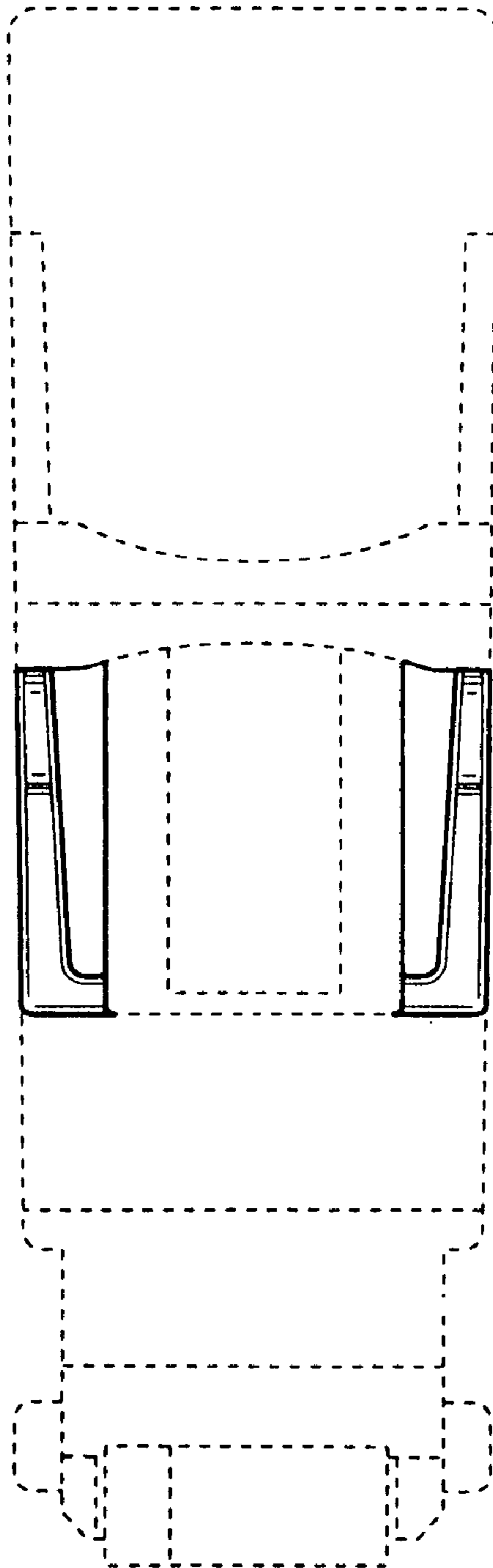
FIG. 4 is a left side view thereof;

FIG. 5 is a right side view thereof;

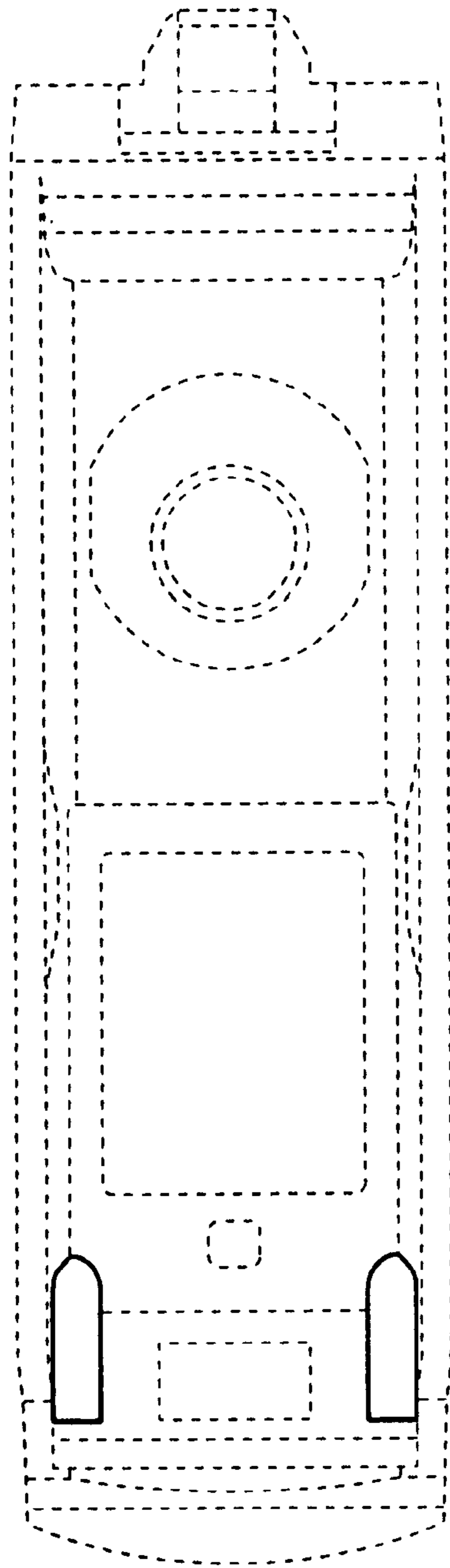
FIG. 6 is a perspective view as viewed from front and bottom direction thereof; and,

FIG. 7 is a perspective view as viewed from rear and top direction thereof.

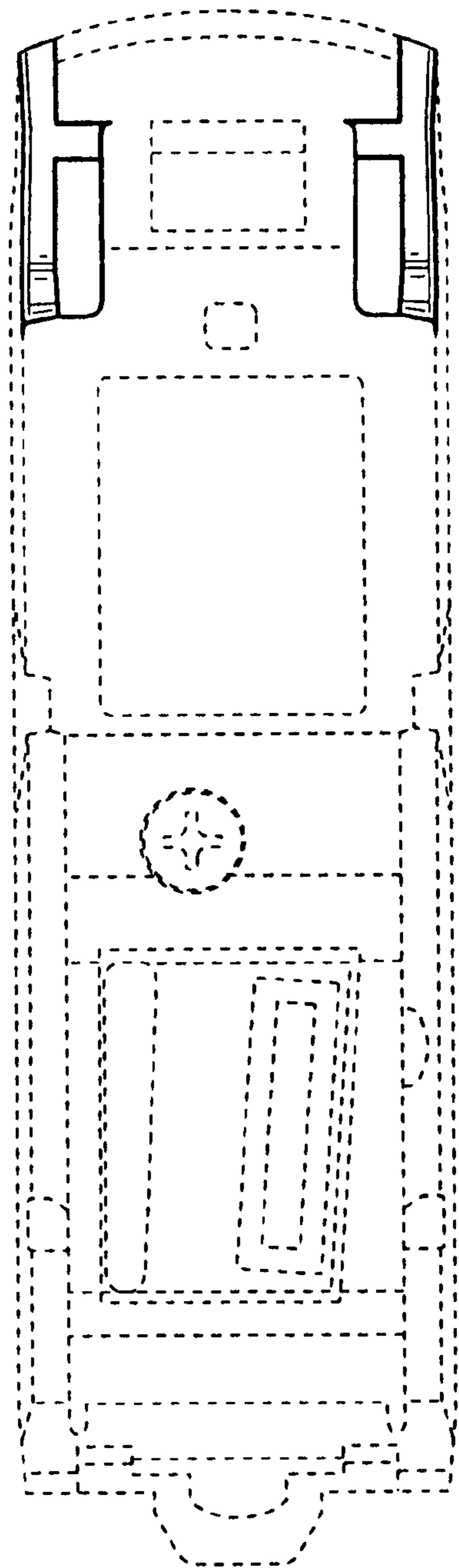
*FIG. 1*



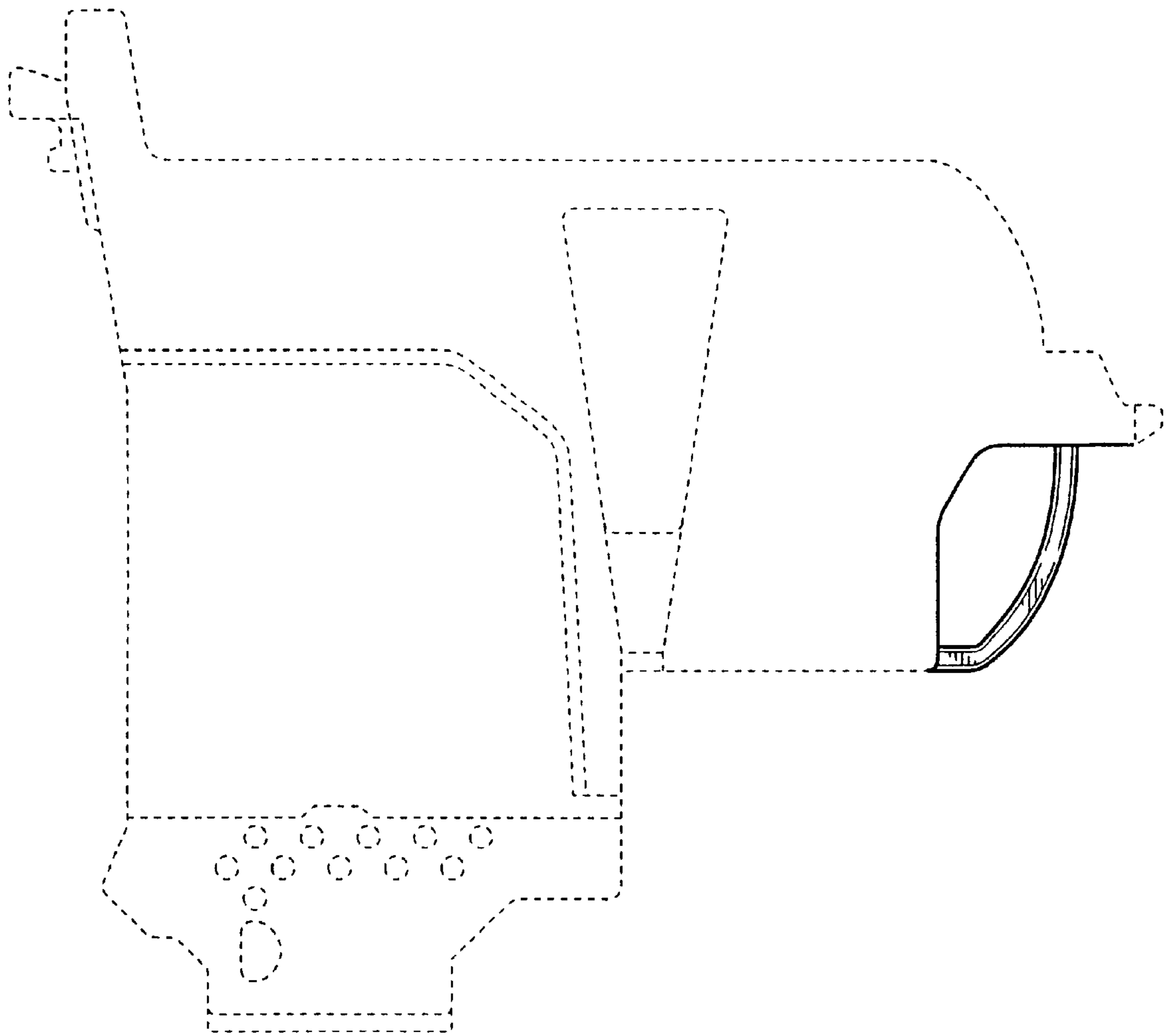
*FIG. 2*



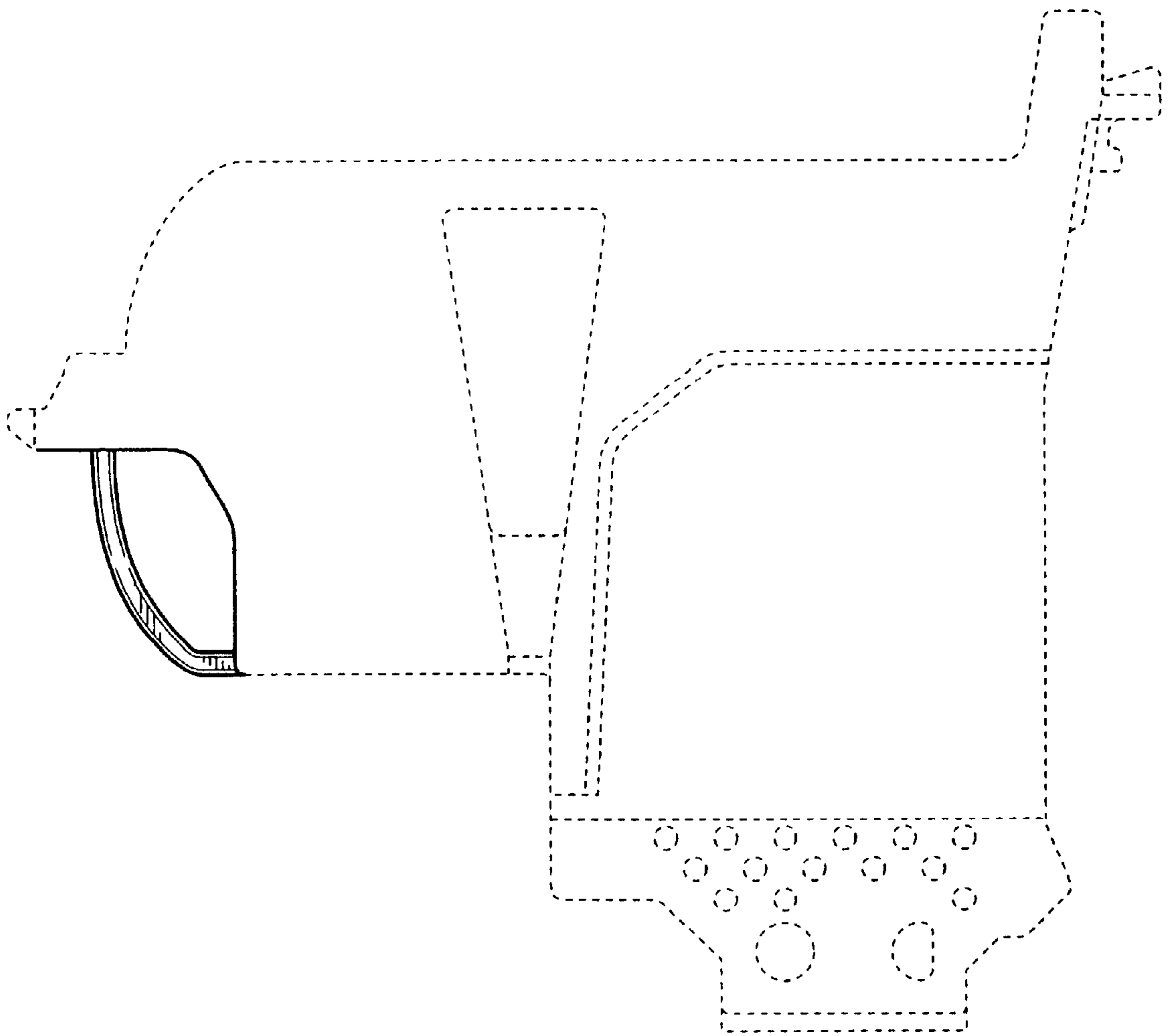
*FIG. 3*



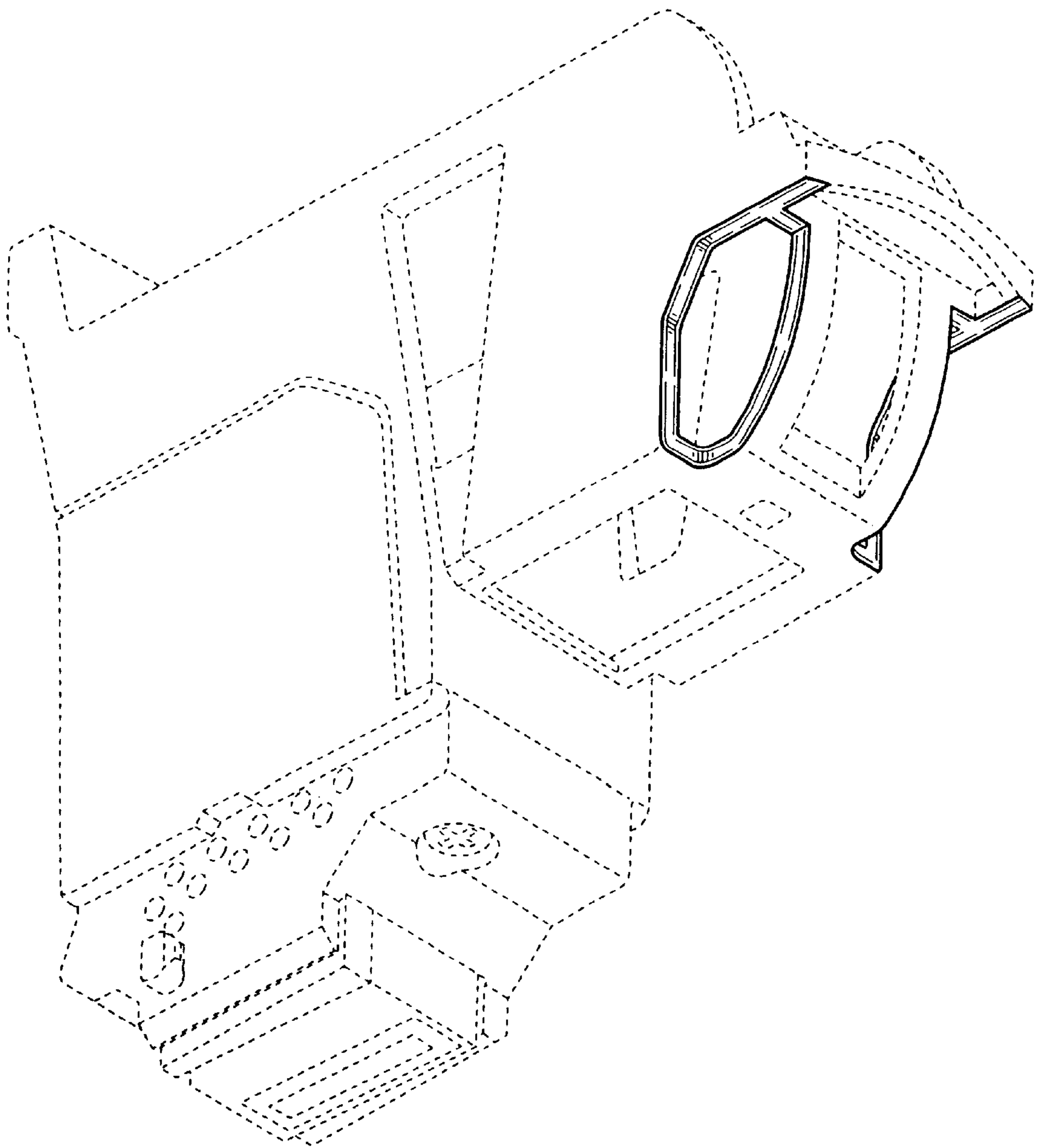
*FIG. 4*



*FIG. 5*



*FIG. 6*



*FIG. 7*

