



US00D440591S

(12) **United States Design Patent**  
**Nasu**

(10) **Patent No.:** **US D440,591 S**

(45) **Date of Patent:** **\*\* Apr. 17, 2001**

(54) **35MM CAMERA**

(75) **Inventor:** **Miyoshi Nasu, Tokyo (JP)**

(73) **Assignee:** **Asahi Kogaku Kogyo Kabushiki Kaisha, Tokyo (JP)**

(\*\*) **Term:** **14 Years**

(21) **Appl. No.:** **29/128,779**

(22) **Filed:** **Aug. 31, 2000**

(30) **Foreign Application Priority Data**

Apr. 19, 2000 (JP) ..... 12-010225

(51) **LOC (7) Cl.** ..... **16-01**

(52) **U.S. Cl.** ..... **D16/209**

(58) **Field of Search** ..... D16/200-205,  
D16/208, 209, 211, 217, 218; 396/535-541

(56) **References Cited**

**U.S. PATENT DOCUMENTS**

- D. 359,976 \* 7/1995 Matsuda ..... D16/209
- D. 381,350 \* 7/1997 Hamamura ..... D16/209
- D. 412,004 \* 7/1999 Hamamura ..... D16/209
- D. 418,854 \* 1/2000 Hayashi ..... D16/209
- D. 431,830 \* 10/2000 Koinuma ..... D16/209

- D. 432,152 \* 10/2000 Watanabe ..... D16/209
- 4,924,248 \* 5/1990 Taniguchi et al. .... 396/60
- 4,990,945 \* 2/1991 Cho et al. .... 396/84

\* cited by examiner

*Primary Examiner*—Adir Aronovich

(74) *Attorney, Agent, or Firm*—Sughrue, Mion, Zinn Macpeak & Seas, PLLC

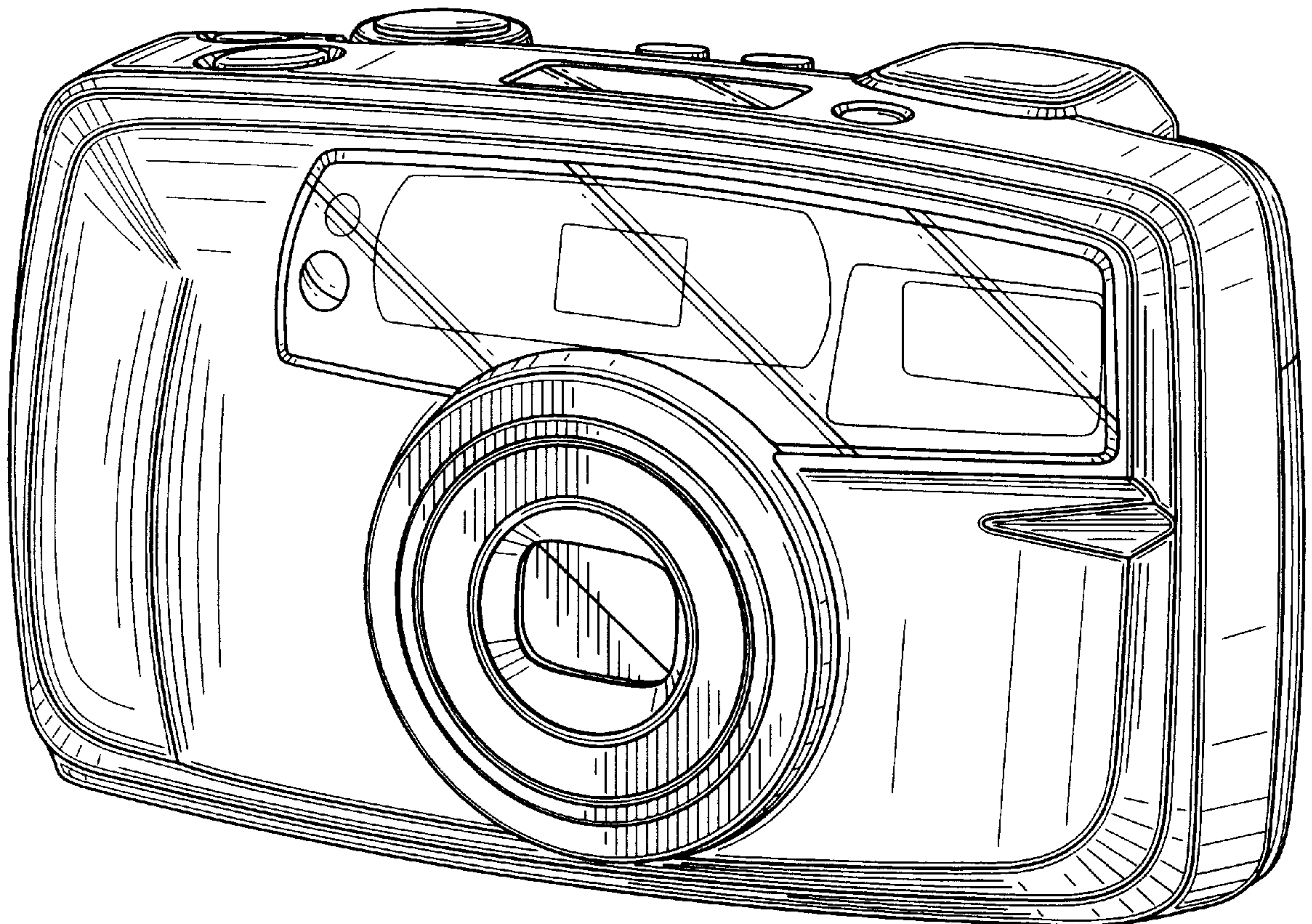
(57) **CLAIM**

The ornamental design for a 35mm camera, as shown and described.

**DESCRIPTION**

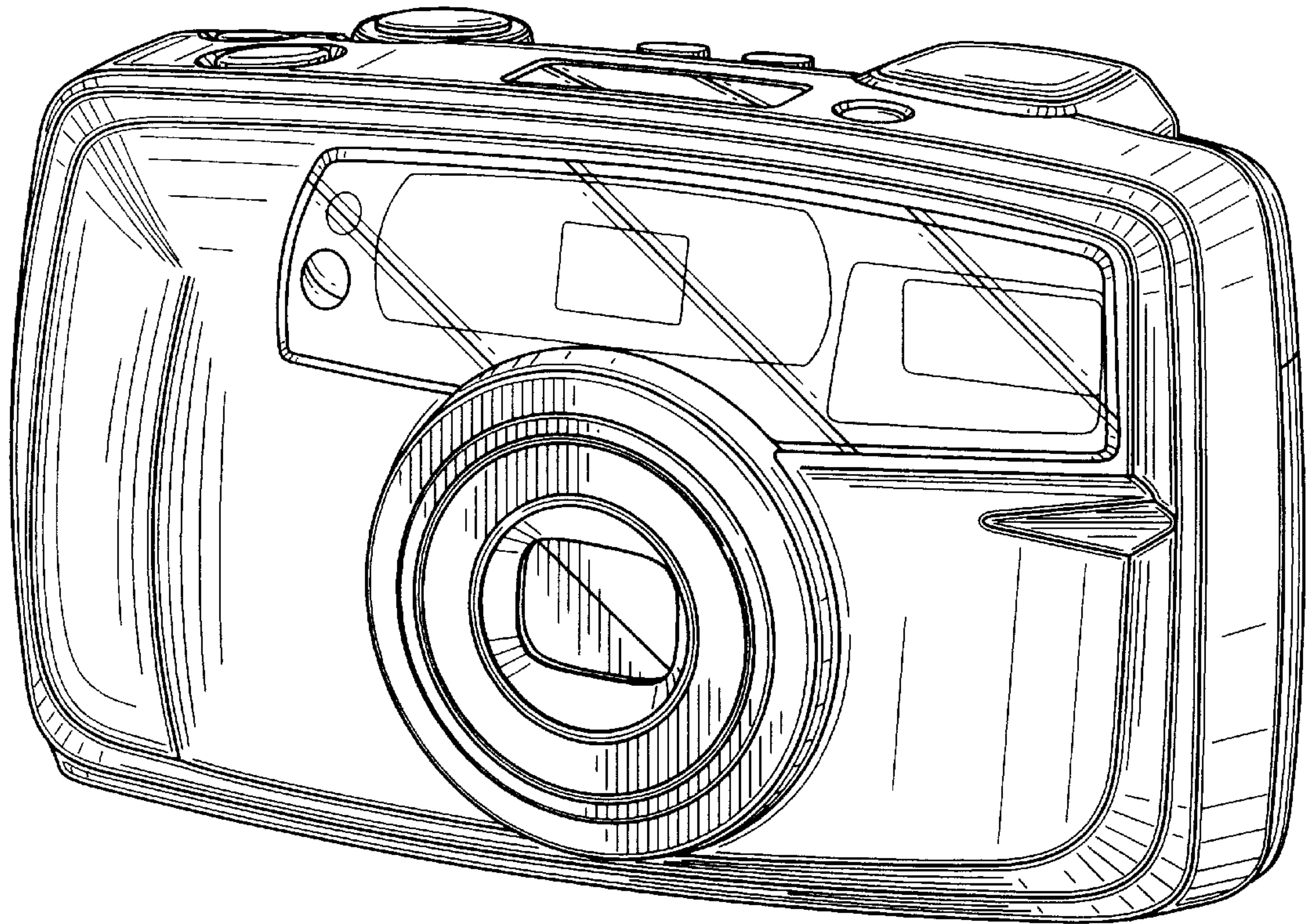
FIG. 1 is a perspective view of the front, top and left side of a 35mm camera showing my new design;  
 FIG. 2 is a front elevational view thereof;  
 FIG. 3 is a top plan view thereof;  
 FIG. 4 is a right side elevational view thereof;  
 FIG. 5 is a left side elevational view thereof;  
 FIG. 6 is a rear elevational view thereof;  
 FIG. 7 is a bottom plan view thereof;  
 FIG. 8 is a perspective view similar to FIG. 1 with the lens cover open and the lens partially extended; and,  
 FIG. 9 is a perspective view similar to FIG. 1 with the lens cover open and the lens fully extended.

**1 Claim, 4 Drawing Sheets**

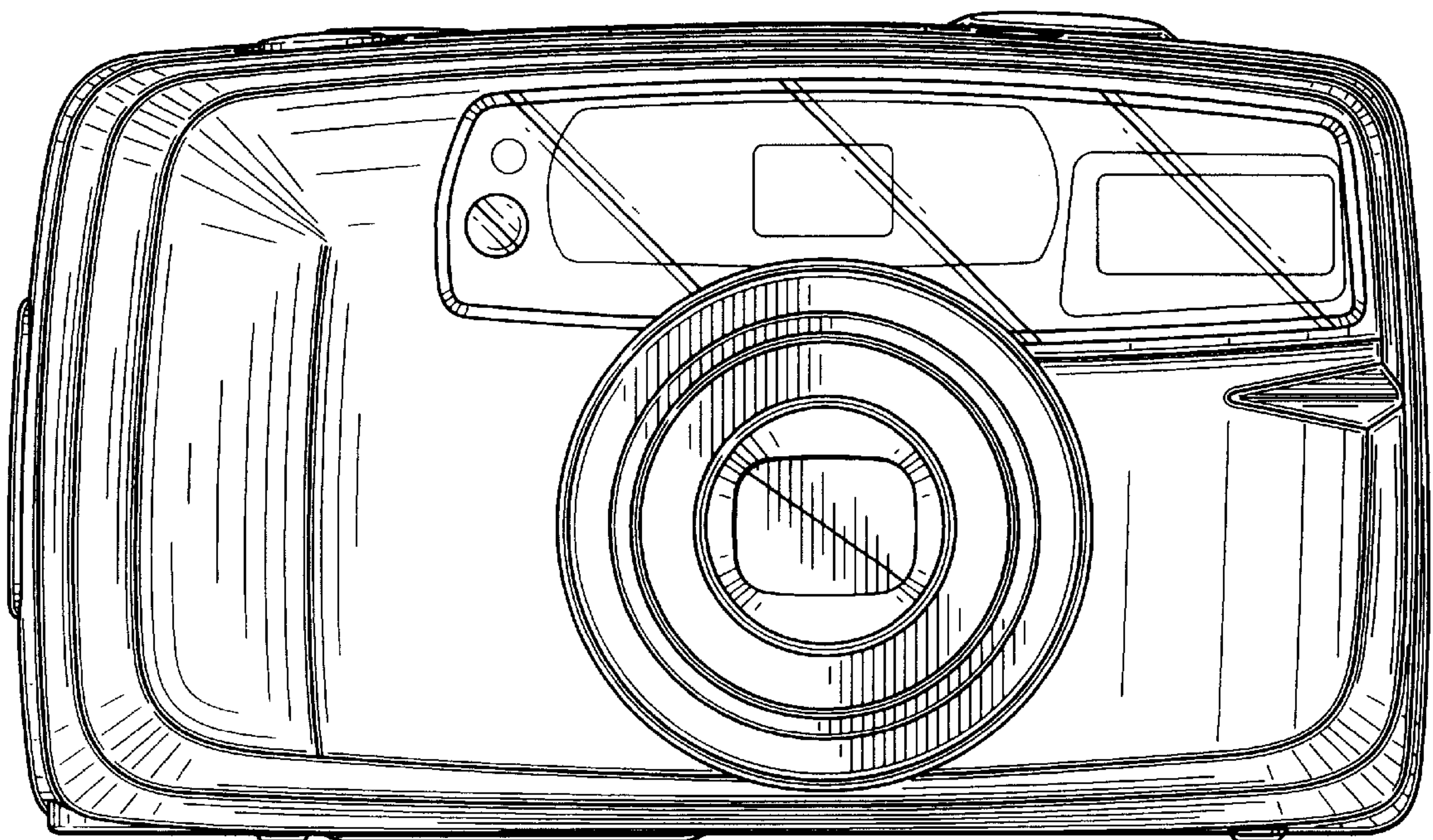




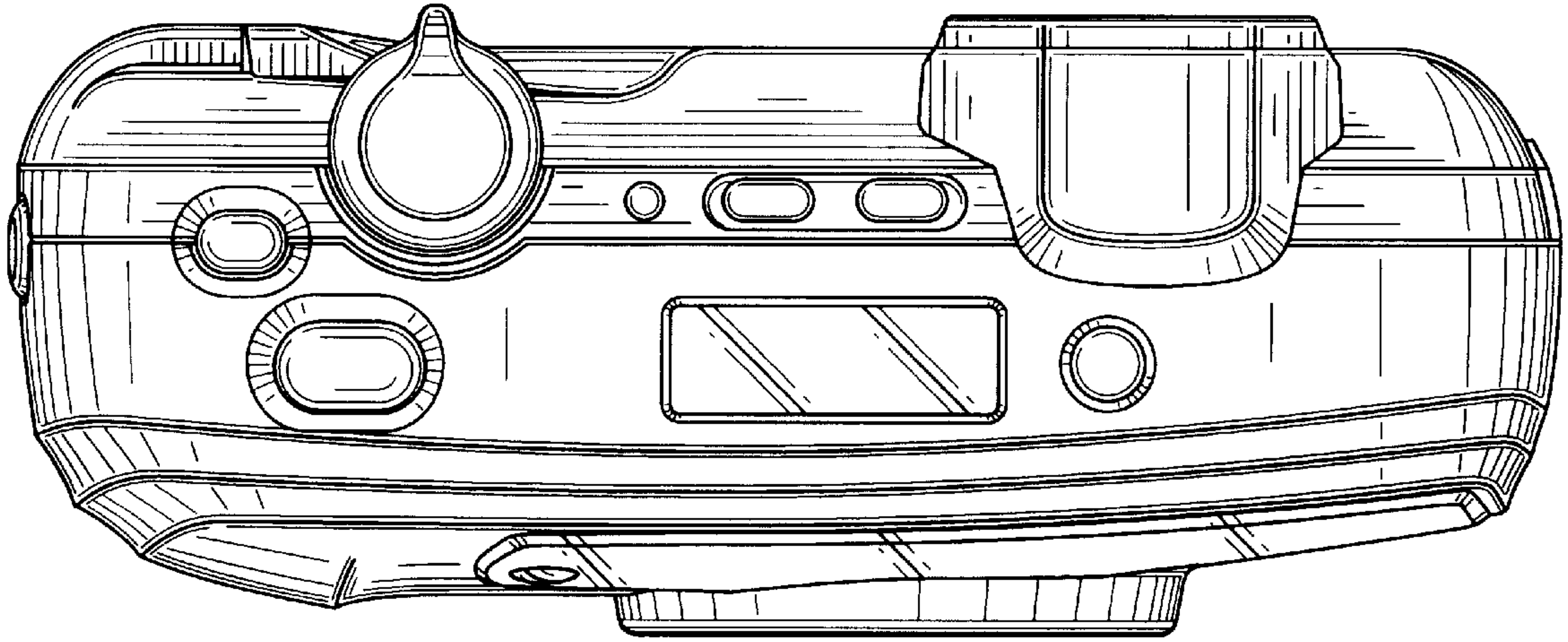
*FIG. 1*



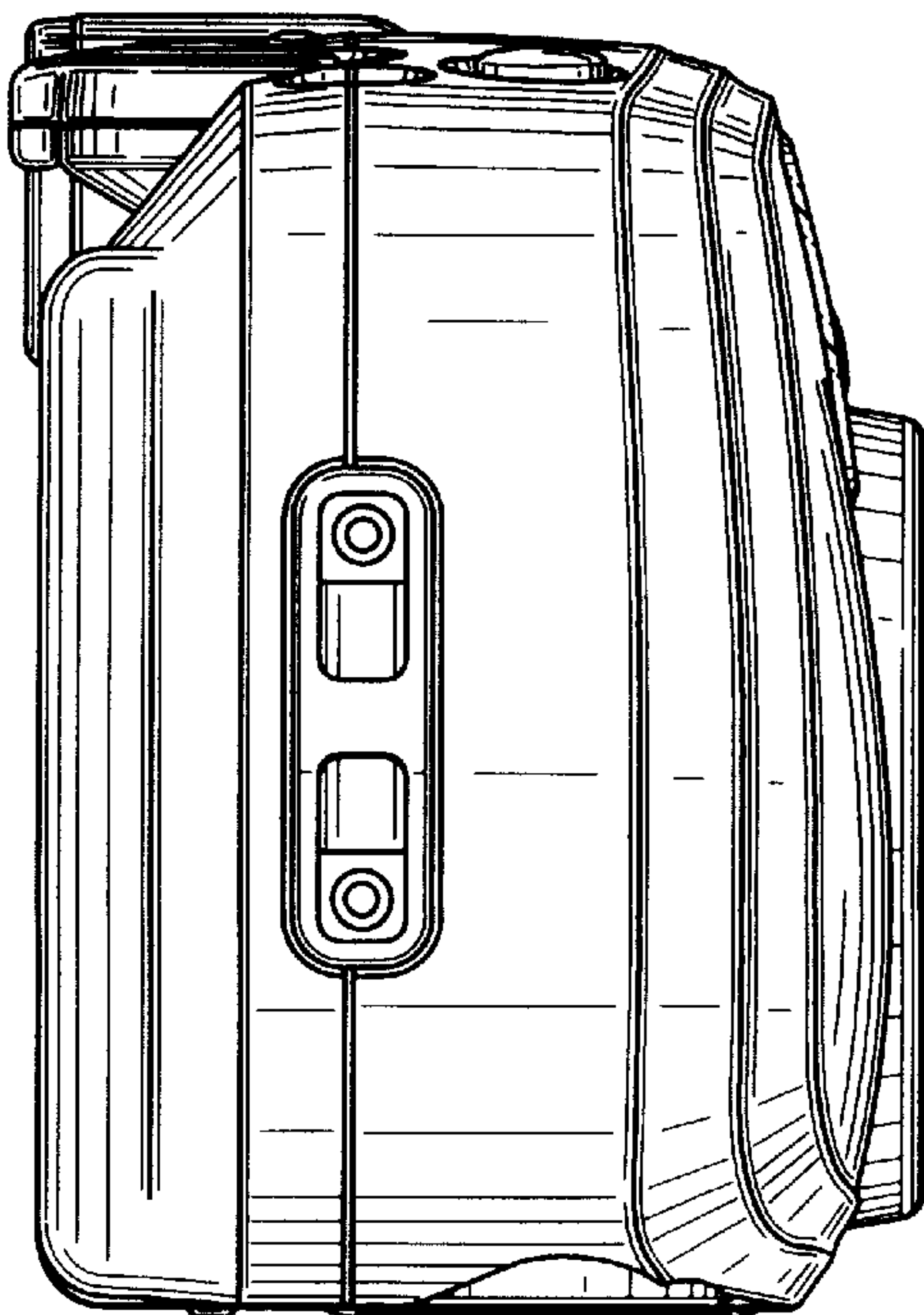
*FIG. 2*



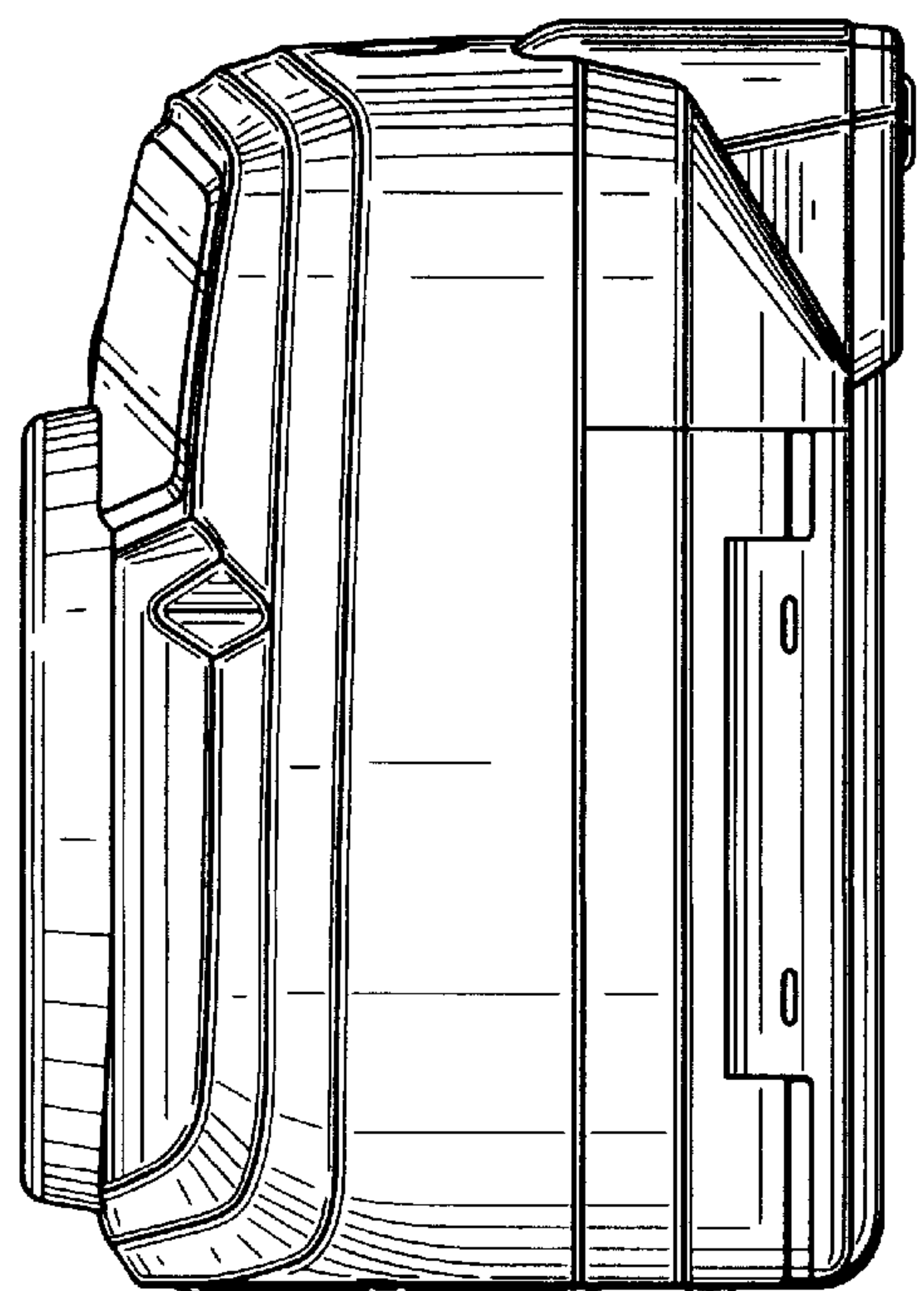
*FIG. 3*



*FIG. 4*

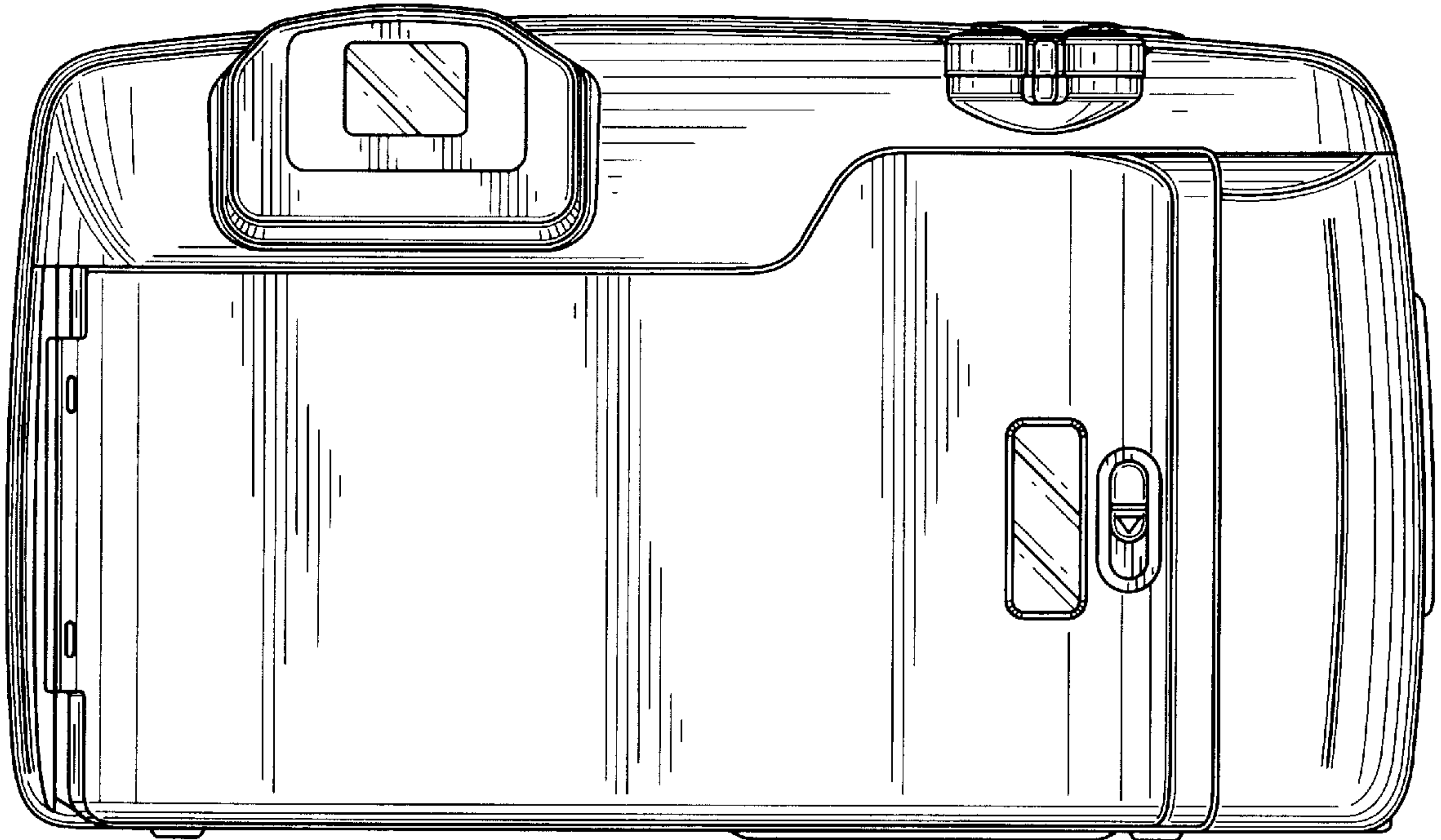


*FIG. 5*

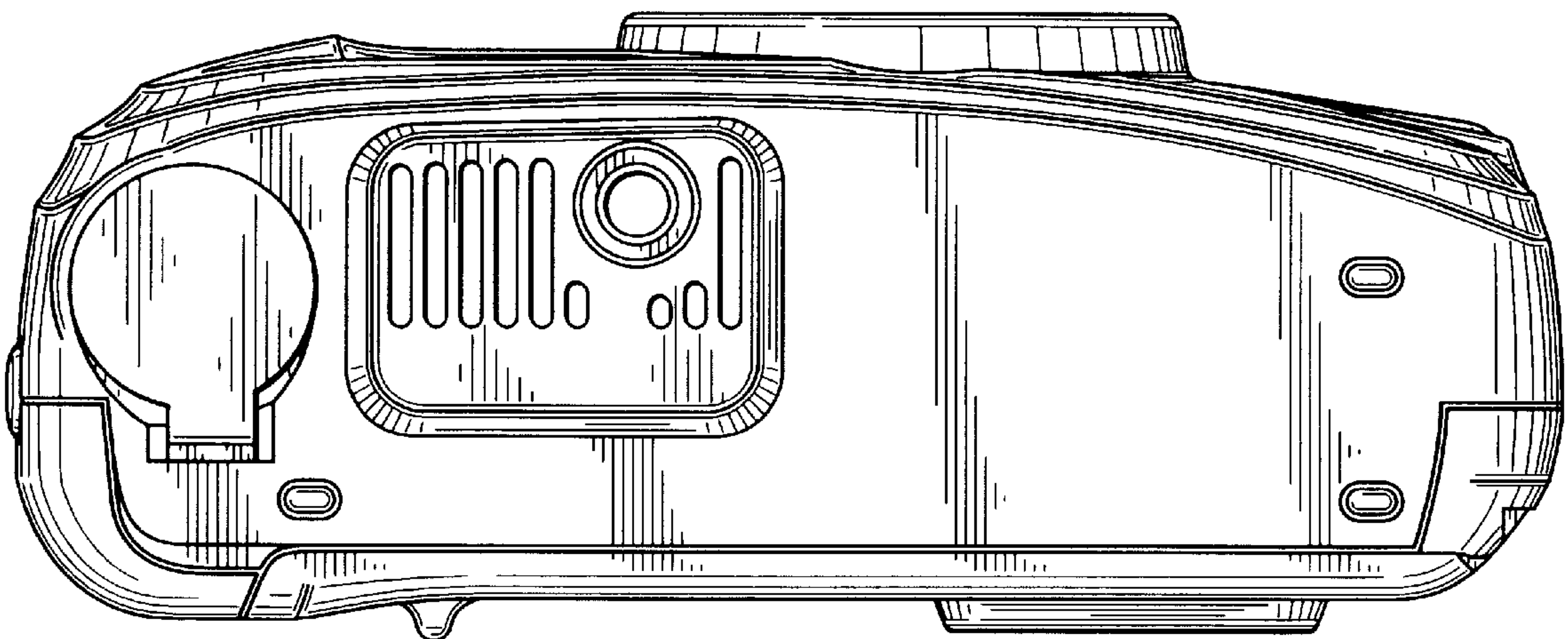




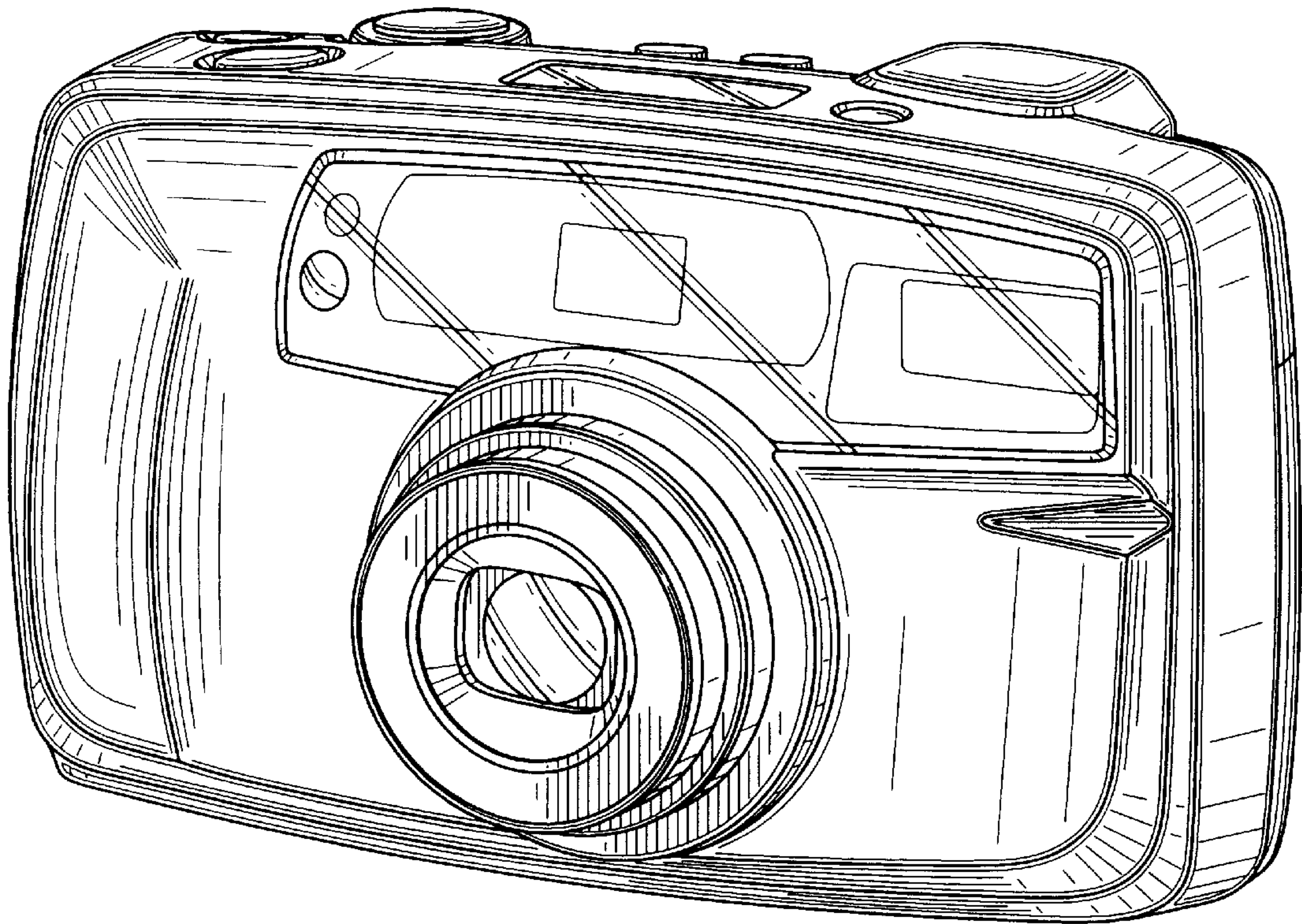
*FIG. 6*



*FIG. 7*



*FIG. 8*



*FIG. 9*

