



US00D440590S

(12) **United States Design Patent**  
**Yoshida**

(10) **Patent No.:** **US D440,590 S**

(45) **Date of Patent:** **\*\* Apr. 17, 2001**

(54) **CAMERA**

(75) Inventor: **Koji Yoshida**, Tokyo (JP)

(73) Assignee: **Fuji Photo Film Co., Ltd.**, Kanagawa (JP)

(\*\*) Term: **14 Years**

(21) Appl. No.: **29/126,508**

(22) Filed: **Jul. 19, 2000**

(30) **Foreign Application Priority Data**

Jan. 27, 2000 (JP) ..... 12-001048

(51) **LOC (7) Cl.** ..... **16-01**

(52) **U.S. Cl.** ..... **D16/209**

(58) **Field of Search** ..... D16/200-206,  
D16/208, 209, 217, 218; 396/535-541

(56) **References Cited**

**U.S. PATENT DOCUMENTS**

- D. 359,299 \* 6/1995 Moro et al. .... D16/209
- D. 383,146 \* 9/1997 Hashimoto et al. .... D16/209
- D. 385,569 \* 10/1997 Takimura ..... D16/202
- D. 410,482 \* 6/1999 Kawai ..... D16/218

- D. 412,517 \* 8/1999 Hayamizu ..... D16/209
- 4,943,822 \* 7/1990 Braunhut ..... 396/535

\* cited by examiner

*Primary Examiner*—Adir Aronovich

(74) *Attorney, Agent, or Firm*—Young & Thompson

(57) **CLAIM**

The ornamental design for a camera, as shown and described.

**DESCRIPTION**

FIG. 1 is a top, front and side perspective view of a camera, showing my new design;  
 FIG. 2 is a front elevational view thereof;  
 FIG. 3 is a rear elevational view thereof;  
 FIG. 4 is a top plan view thereof;  
 FIG. 5 is a bottom plan view thereof;  
 FIG. 6 is a side elevational view thereof from the right of FIG. 2;  
 FIG. 7 is a side elevational view thereof from the left of FIG. 2; and,  
 FIG. 8 is a view similar to FIG. 1 showing the lens in a retracted position.

**1 Claim, 4 Drawing Sheets**

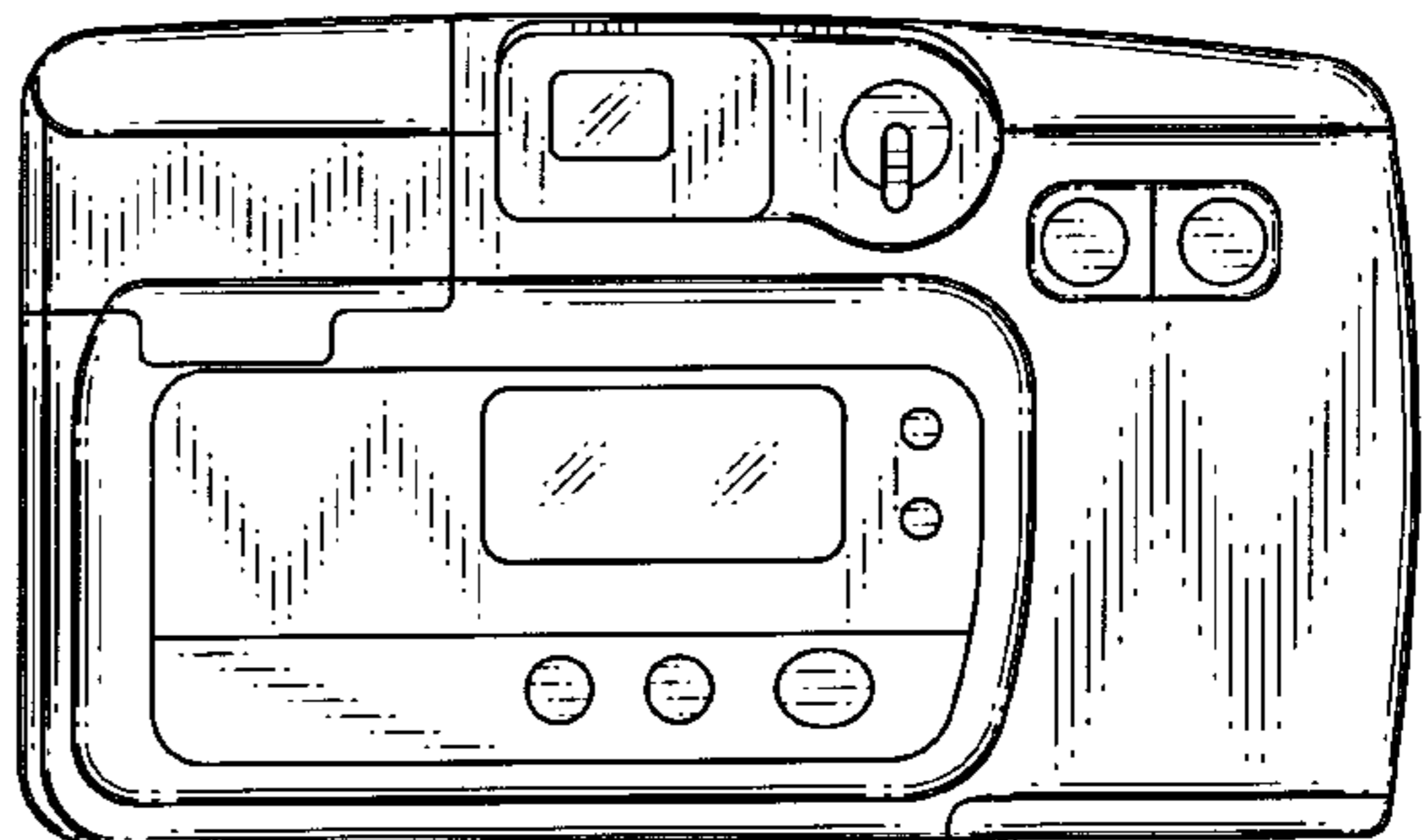
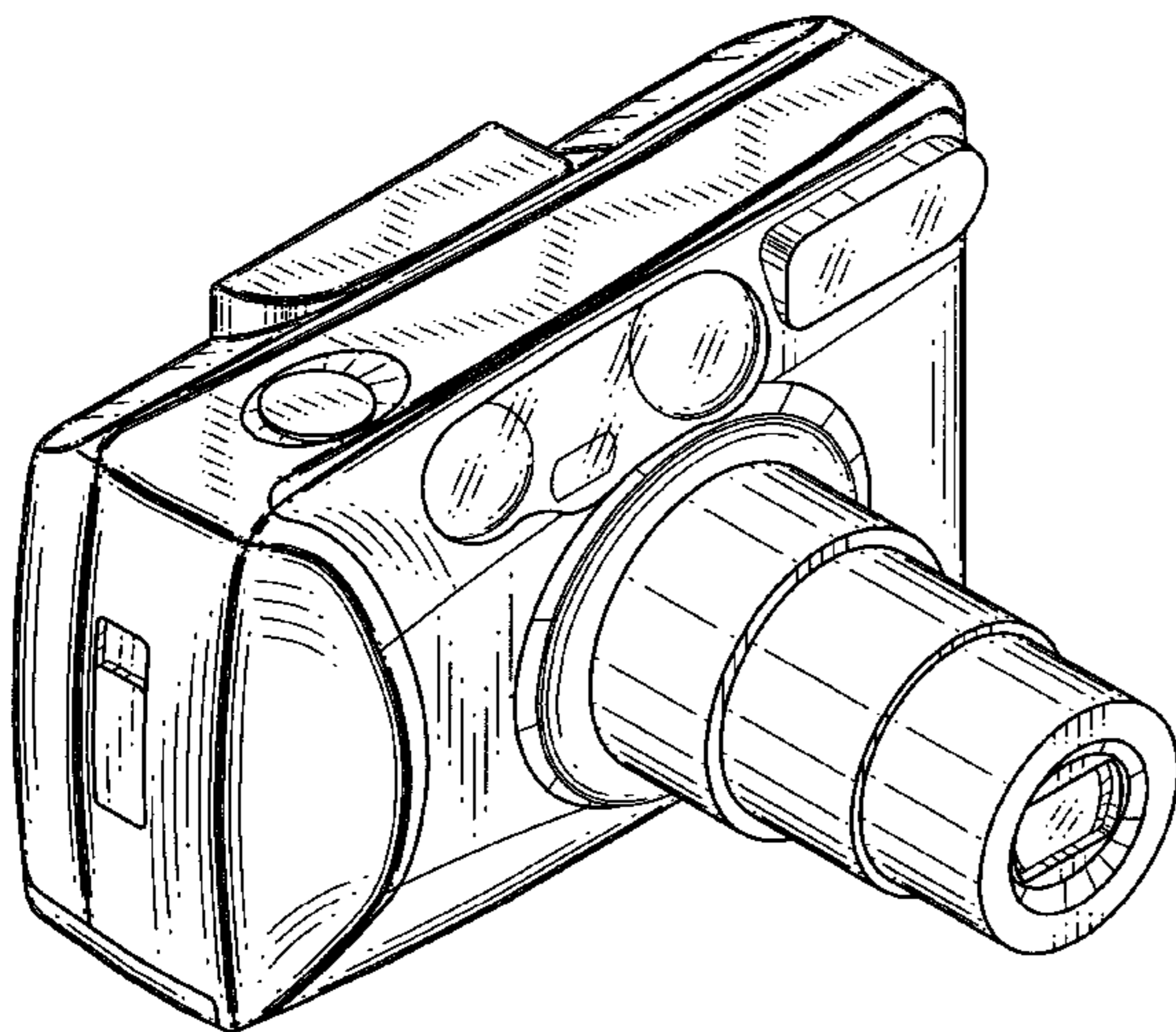


FIG. 1

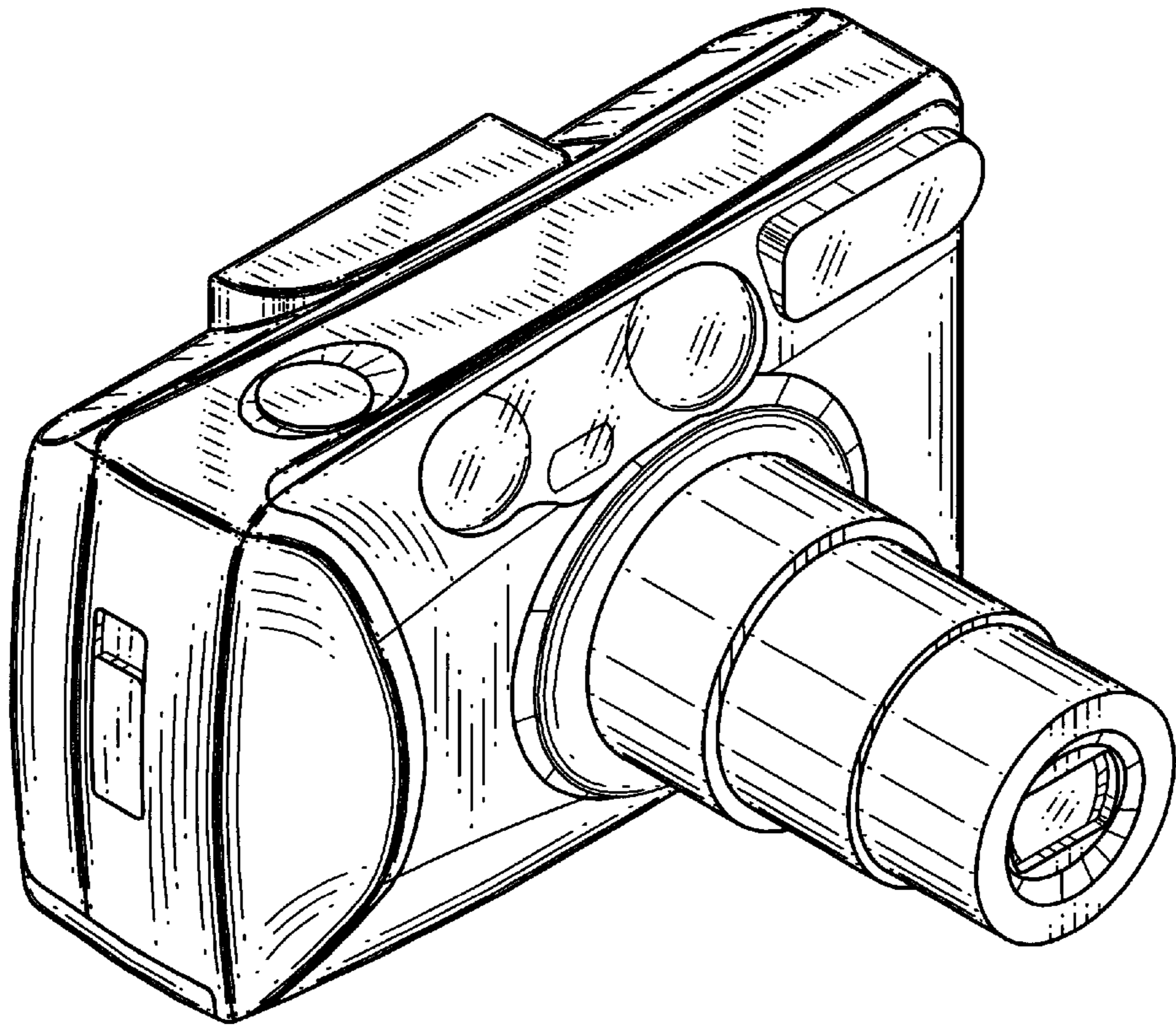


FIG. 2

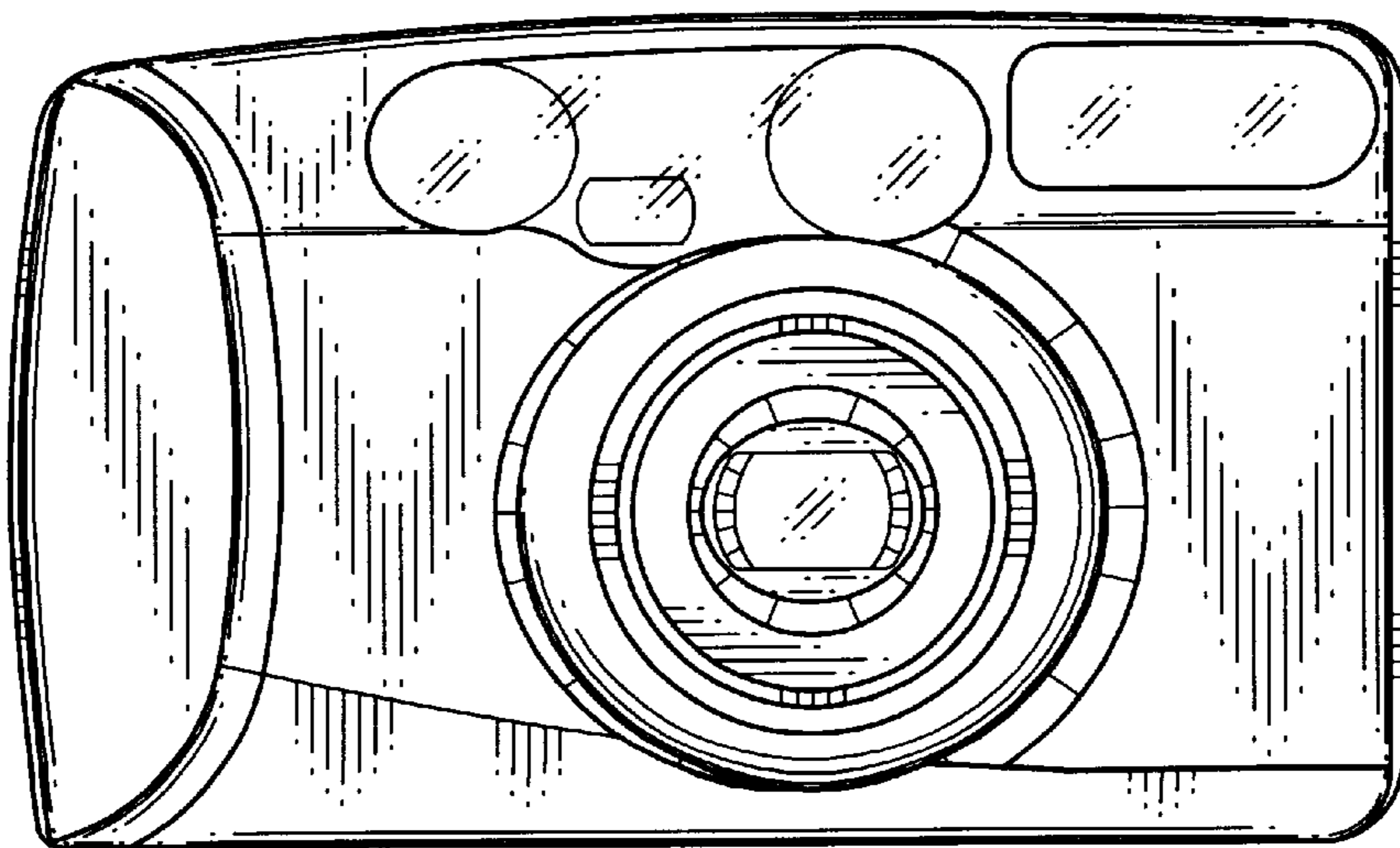


FIG. 3

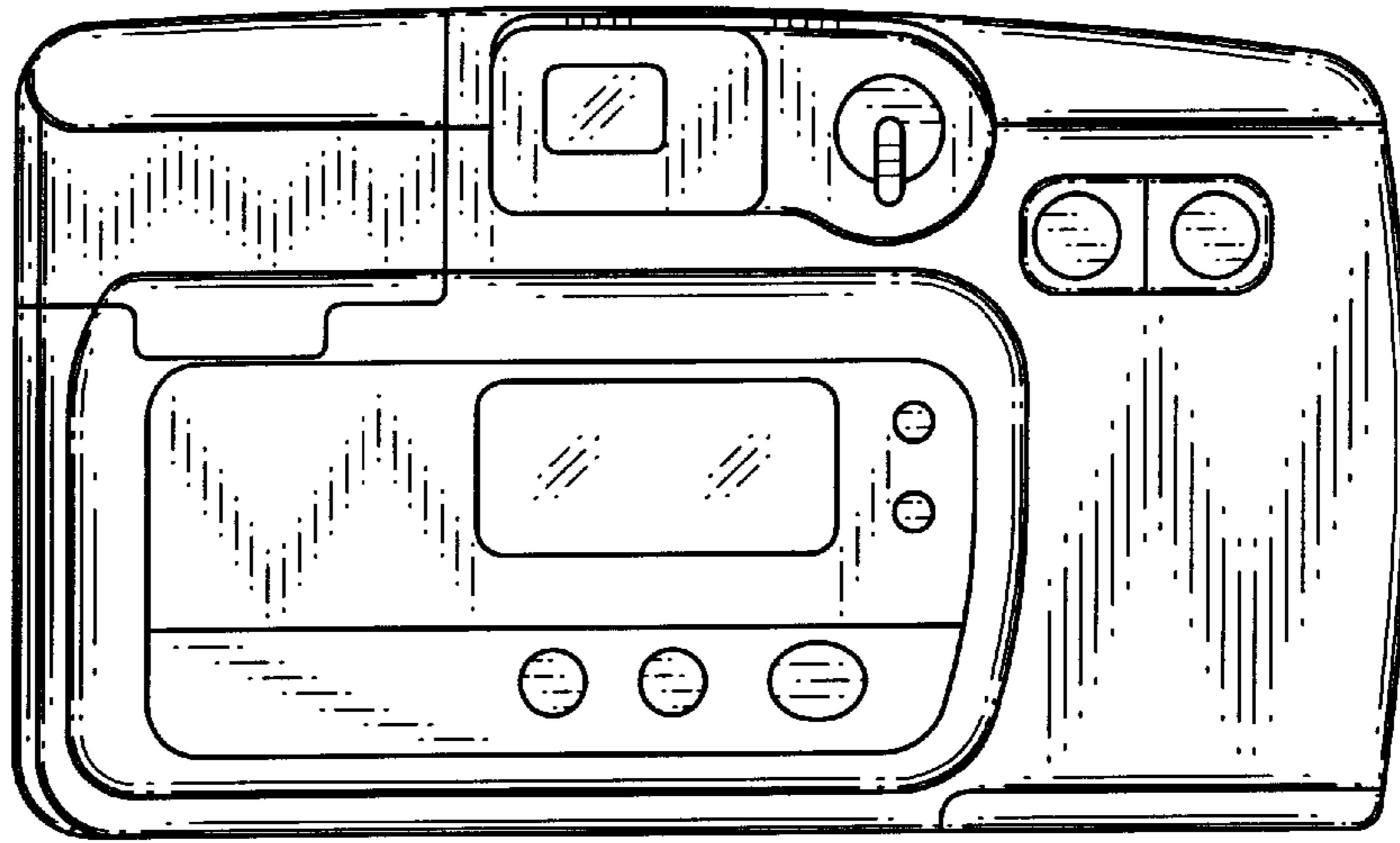


FIG. 4

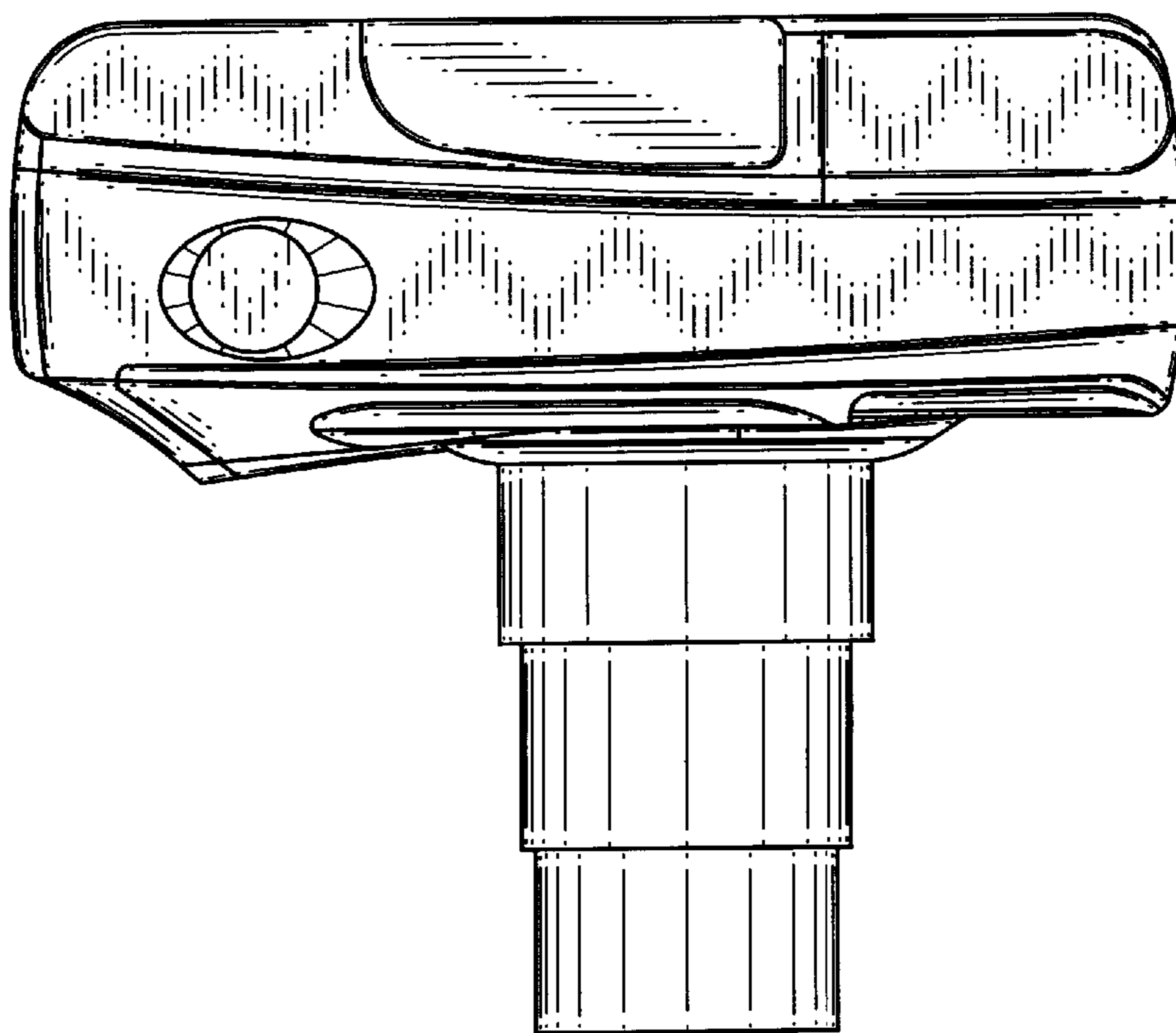


FIG. 5

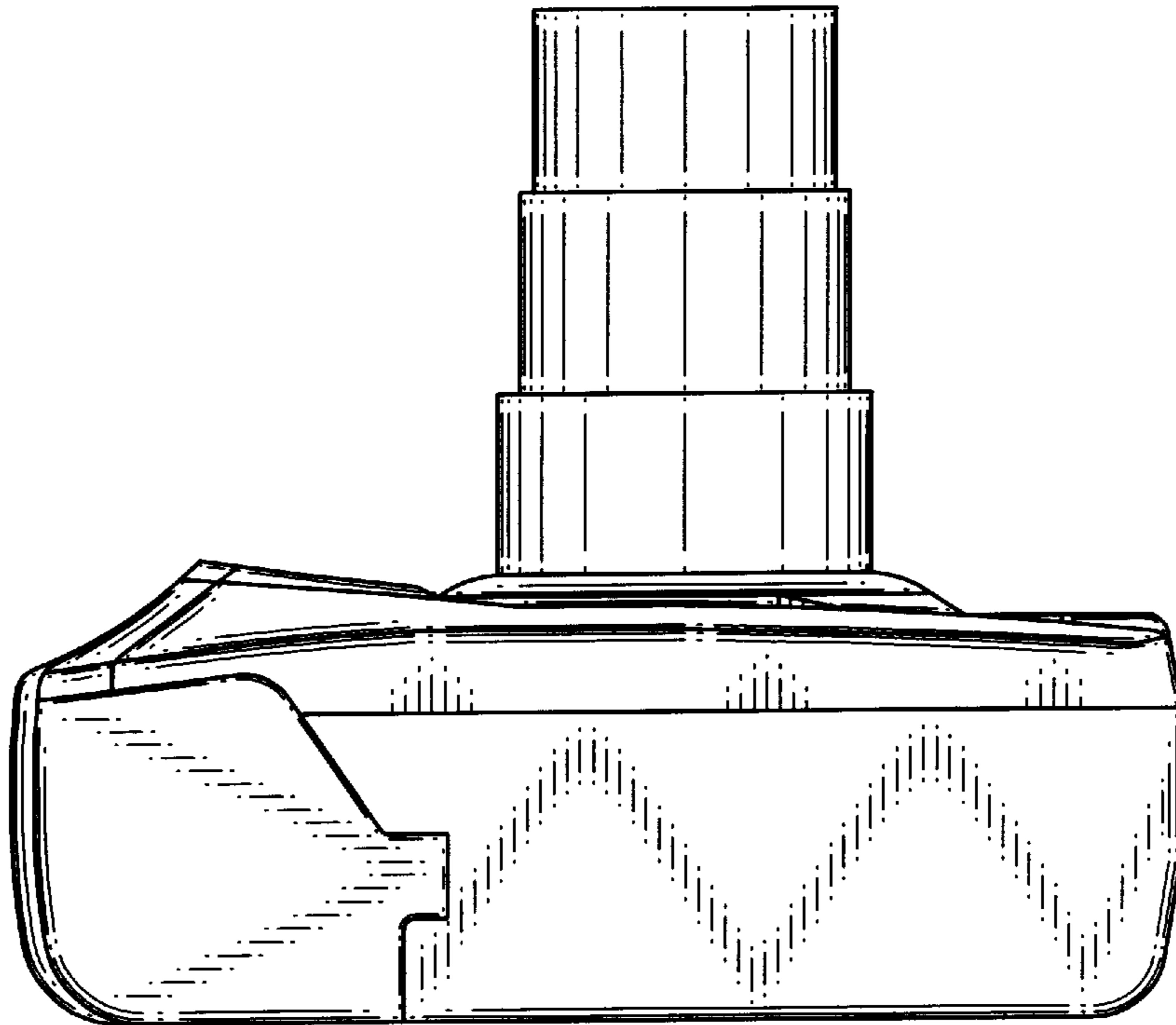


FIG. 6

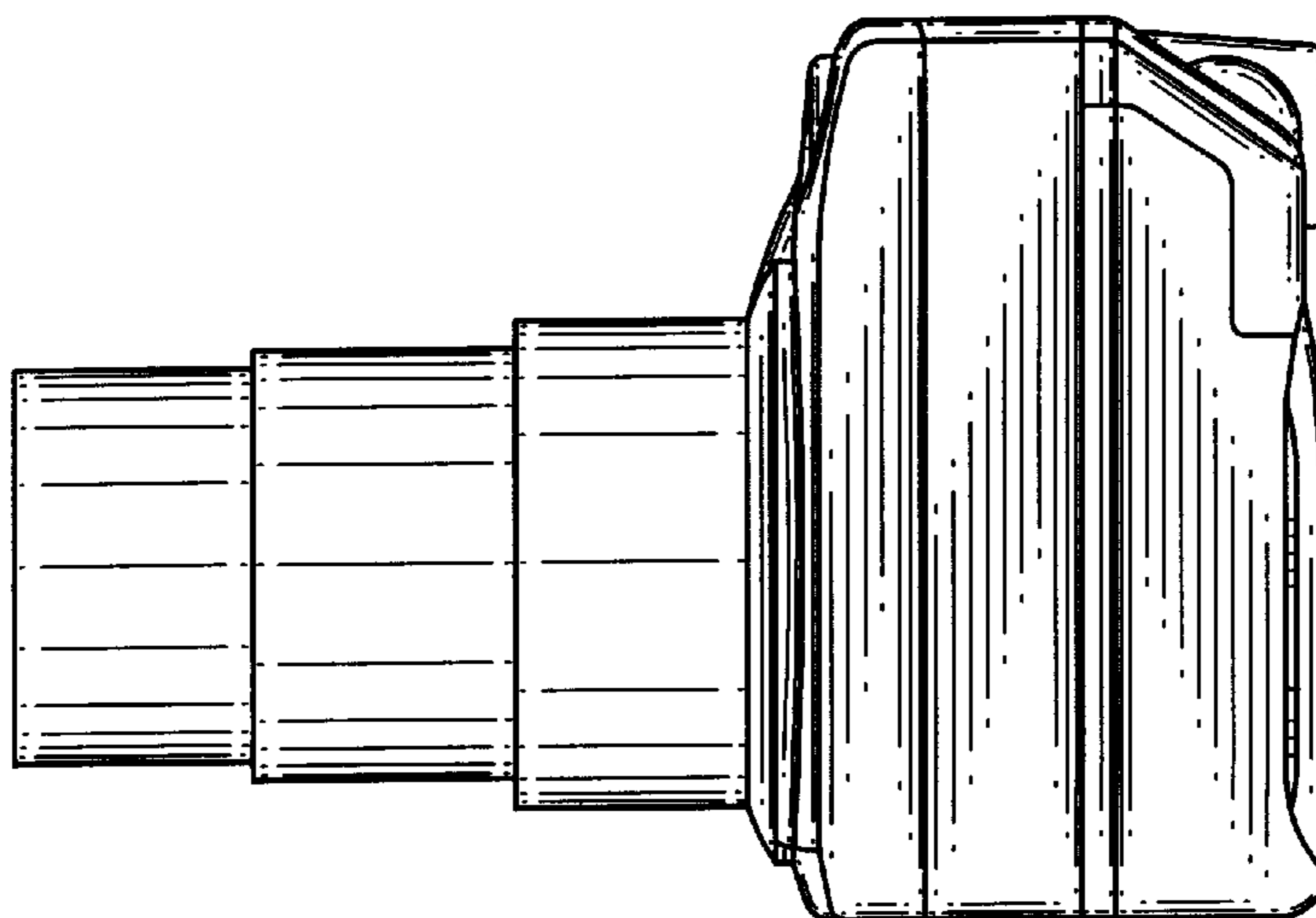




FIG. 7

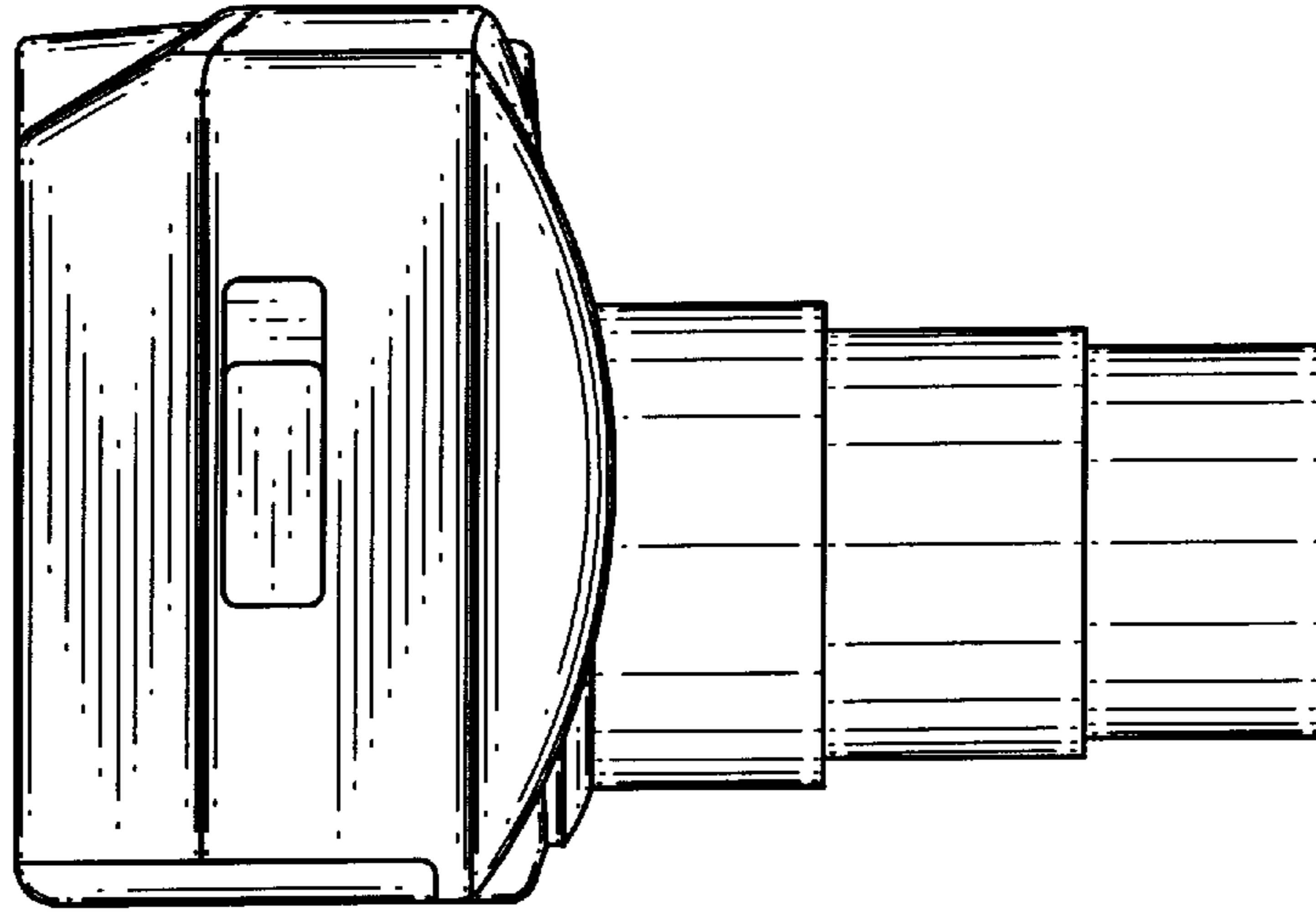


FIG. 8

