



US00D440589S

(12) **United States Design Patent**
Bernacki et al.

(10) **Patent No.:** **US D440,589 S**
(45) **Date of Patent:** **** Apr. 17, 2001**

(54) **MOBILE POOL CAMERA**

5,394,208 * 2/1995 Campbell 396/25
5,903,306 * 5/1999 Heckendorn et al. 348/82

(76) Inventors: **Robert H. Bernacki**, P.O. Box 3188,
Bloomington, IN (US) 47402; **John S. VanCura**, 777 Cypress Dr., Mansfield,
OH (US) 44903

OTHER PUBLICATIONS

(**) Term: **14 Years**

Total Performance Inc. Mansfield, OH. advertisement, Sep., 1997.

(21) Appl. No.: **29/129,113**

Watermark Submersibles, Oconomowoc, WI. advertise-
ment, Sep., 1997.

(22) Filed: **Sep. 8, 2000**

Sparta, Cohoes, NY. advertisement, Sep., 1997.

Motivational Concepts, Portsmouth, NH. advertisement
Sep. 1997.

Zoomers, San Carlos, CA. advertisement, Jun., 1997.

Related U.S. Application Data

* cited by examiner

(63) Continuation-in-part of application No. 29/087,906, filed on
May 11, 1998, now abandoned.

Primary Examiner—Adir Aronovich

(51) **LOC (7) Cl.** **16-01**

(57) **CLAIM**

(52) **U.S. Cl.** **D16/204**

The ornamental design for a mobile pool camera, as shown
and described.

(58) **Field of Search** D16/200–205,
D16/208; 348/81, 82; 396/25–28

DESCRIPTION

(56) **References Cited**

FIG. 1 A Perspective View of a mobile pool camera.

FIG. 2 A front view of a mobile pool camera.

FIG. 3 A right side view of a mobile pool camera.

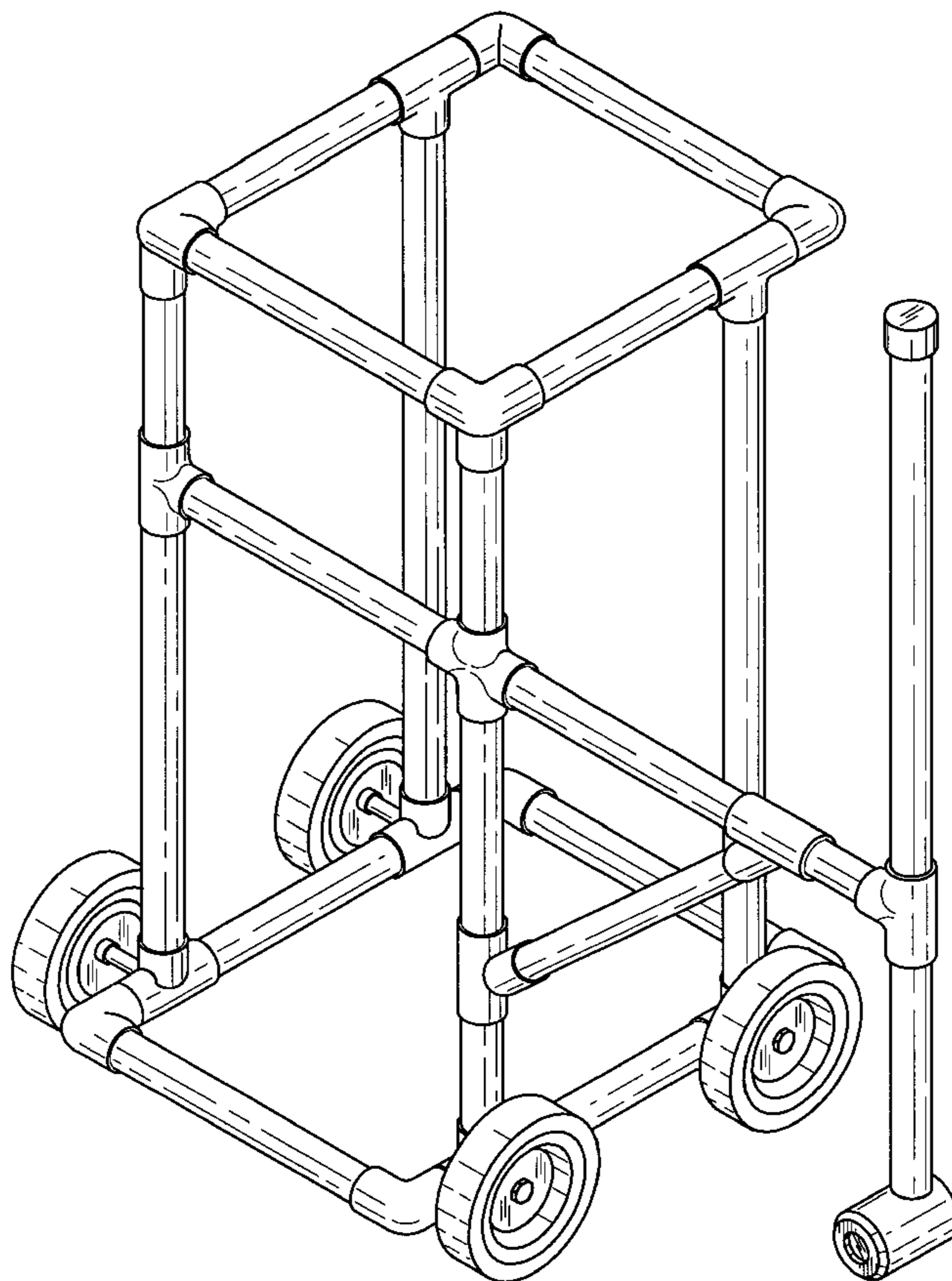
FIG. 4 A left side view of a mobile pool camera; and,

FIG. 5 A top view of a mobile pool camera.

U.S. PATENT DOCUMENTS

2,996,967	8/1961	Edgerton	396/28
3,184,541	5/1965	Foster et al.	348/81
3,738,248	6/1973	Fish et al.	396/28
5,350,033	9/1994	Kraft	180/167

1 Claim, 5 Drawing Sheets



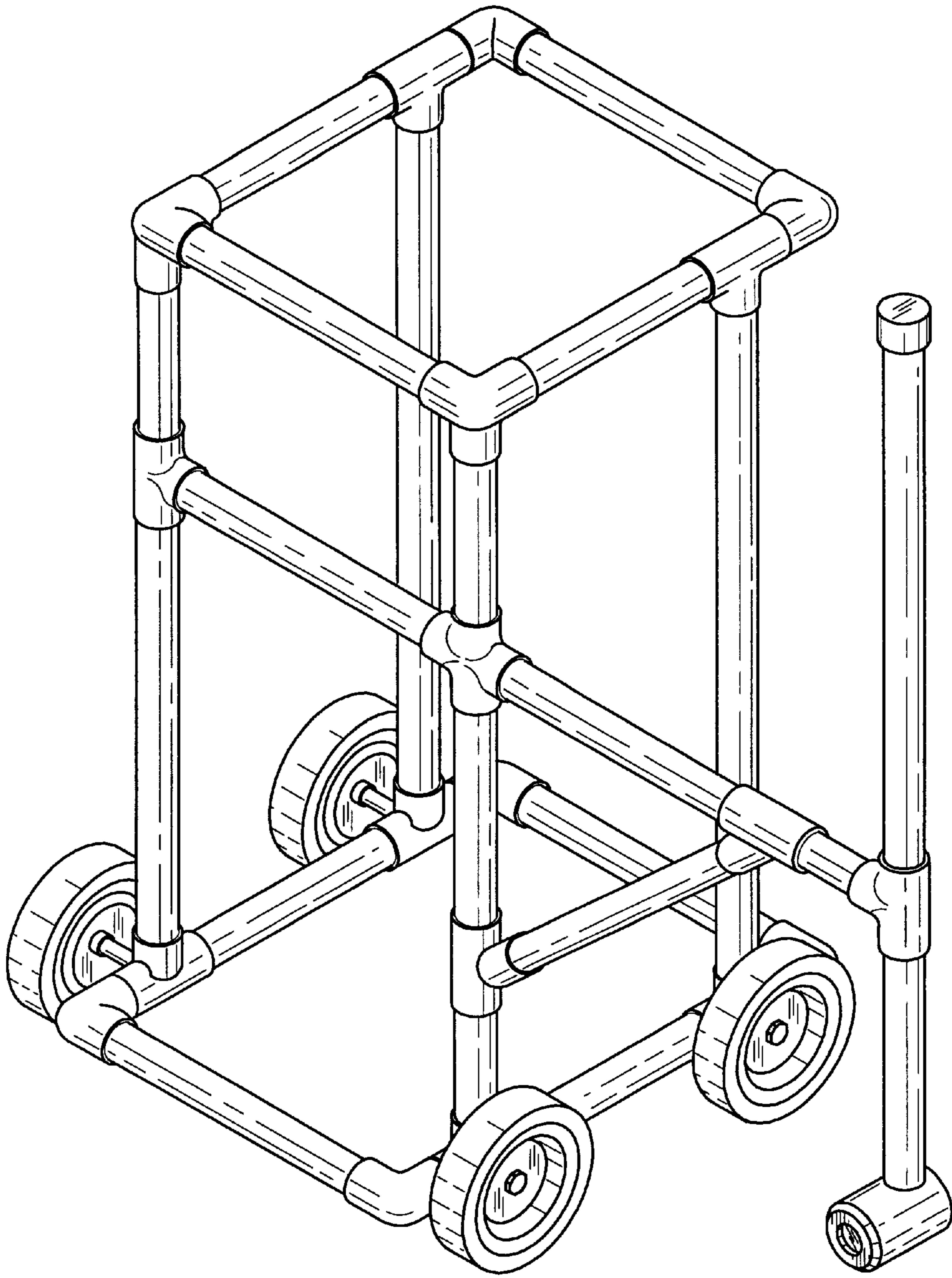


Fig. 1

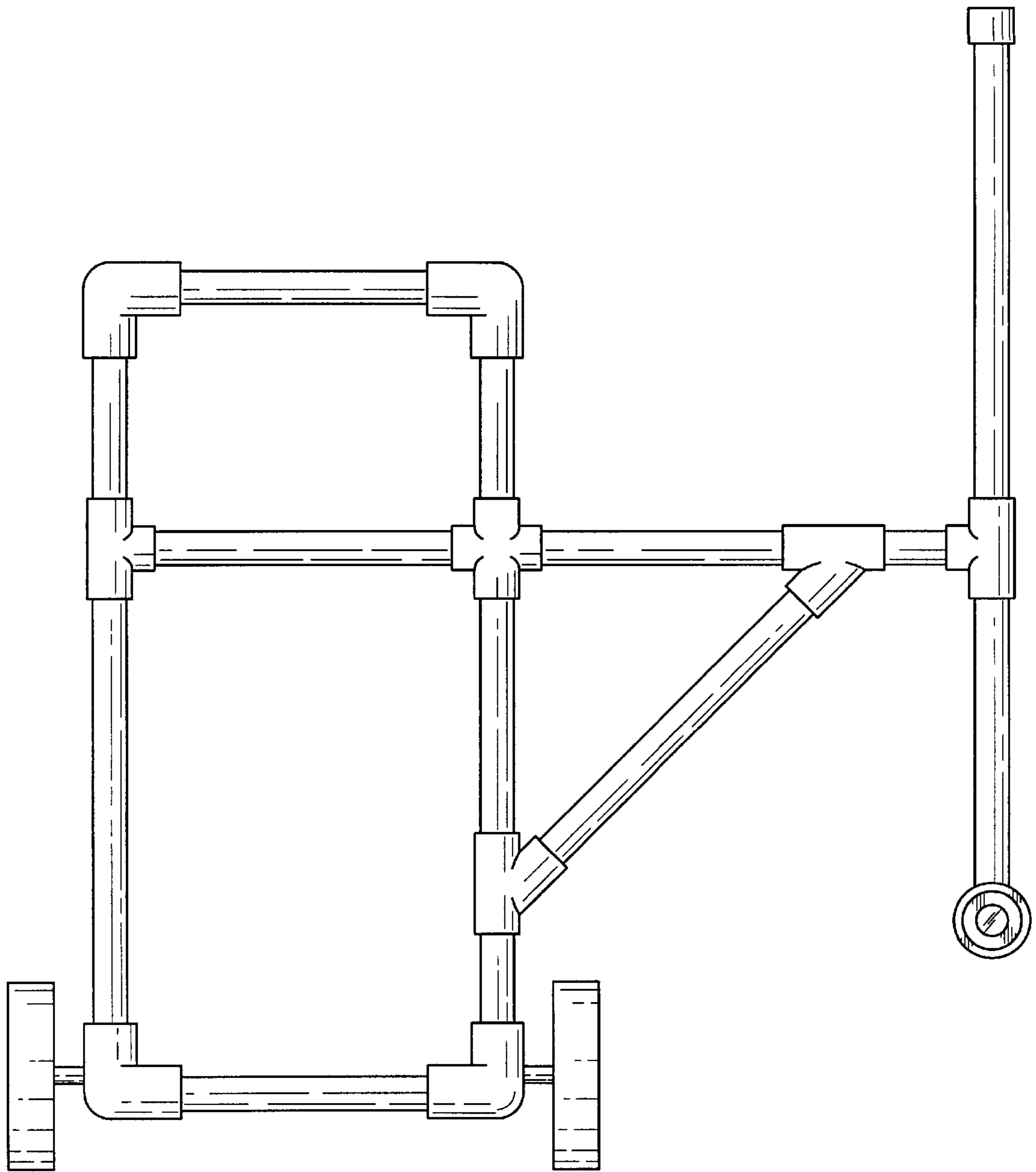


Fig. 2

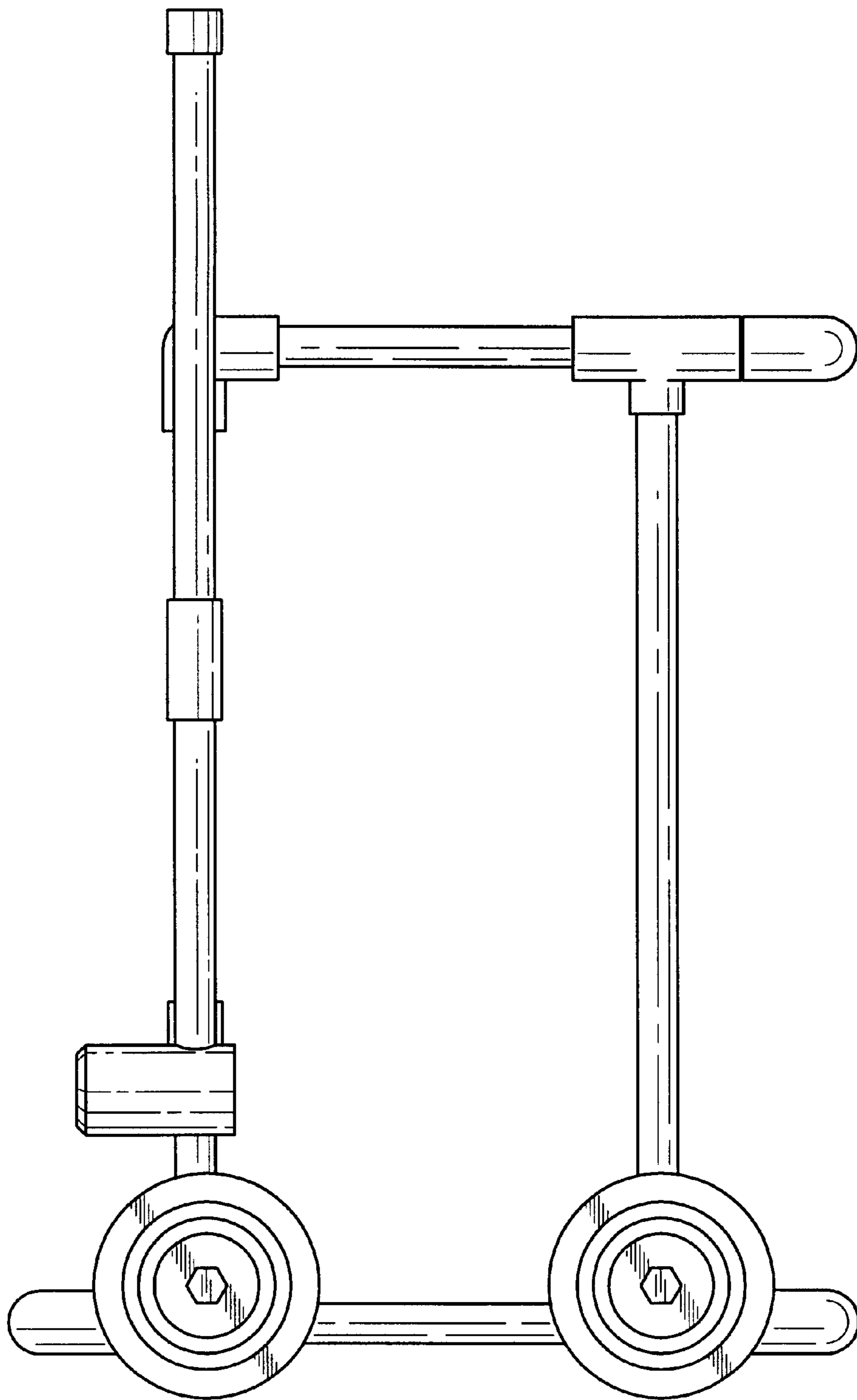


Fig. 3

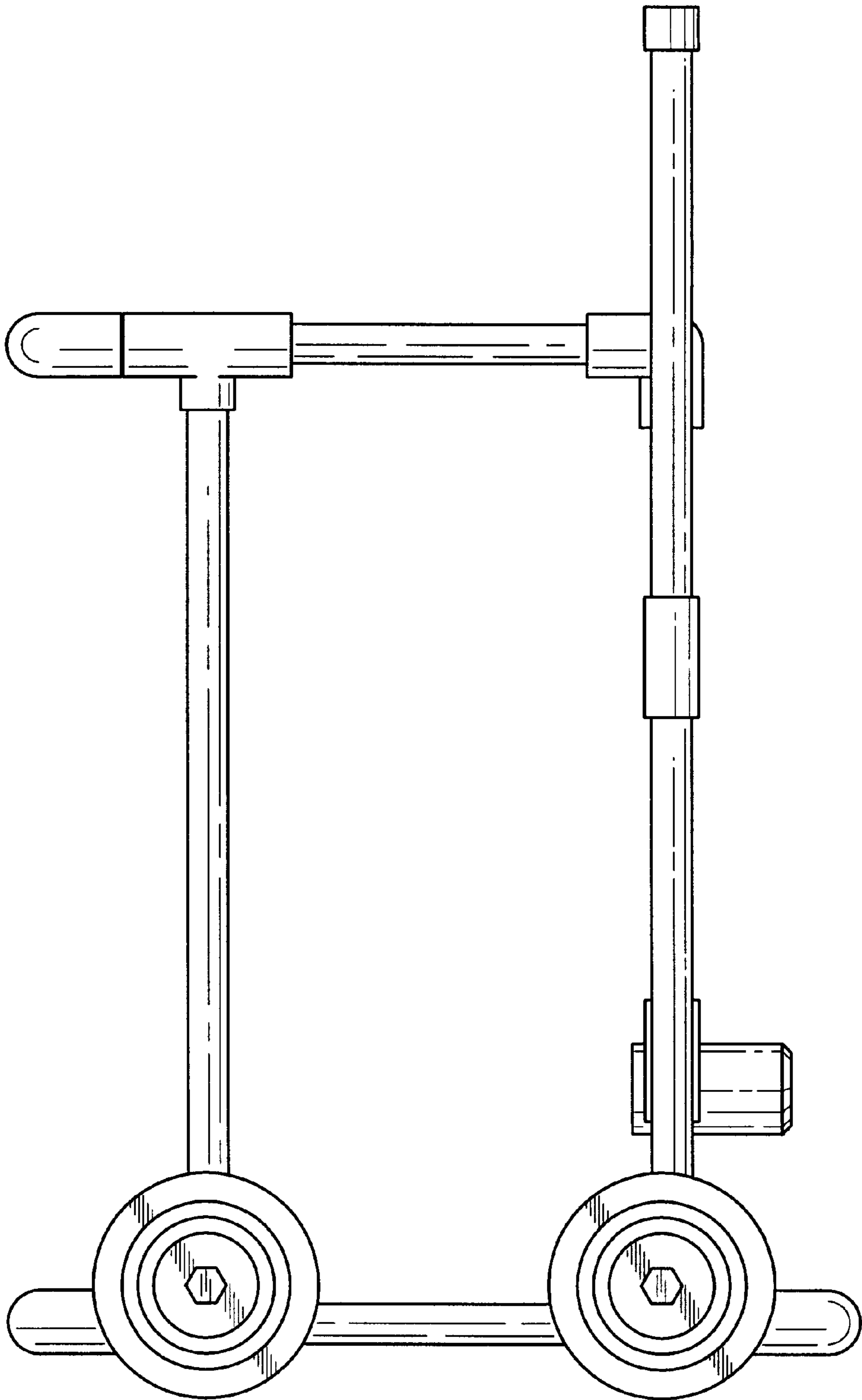


Fig. 4

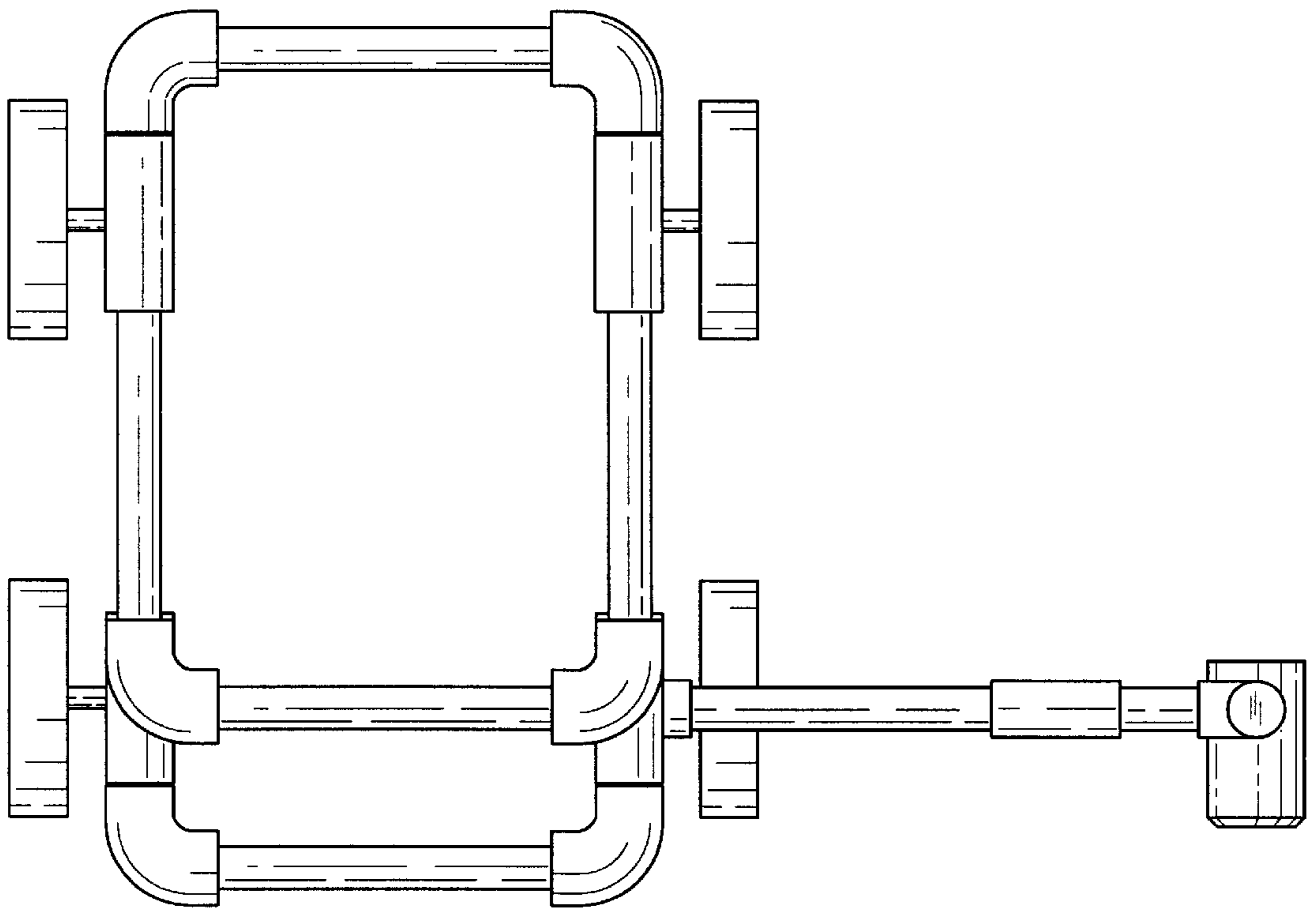


Fig. 5