



US00D440587S

(12) **United States Design Patent**
Morooka

(10) **Patent No.:** **US D440,587 S**

(45) **Date of Patent:** **** Apr. 17, 2001**

(54) **VIDEO CAMERA**

(75) Inventor: **Takashi Morooka**, Tokyo (JP)

(73) Assignee: **Sony Corporation**, Tokyo (JP)

(**) Term: **14 Years**

(21) Appl. No.: **29/122,581**

(22) Filed: **May 1, 2000**

(51) **LOC (7) Cl.** **16-01**

(52) **U.S. Cl.** **D16/202**

(58) **Field of Search** D16/200-205,
D16/208, 211, 212, 213, 218; 348/373-376;
358/906, 909.1; 396/535-541

(56) **References Cited**

U.S. PATENT DOCUMENTS

D. 296,551	*	7/1988	Mizogui	D16/202
D. 383,475	*	9/1997	Yamauchi et al.	D16/202
D. 391,590	*	3/1998	Sumita	D16/202
D. 422,569		4/2000	Ogasawara	D14/106
D. 428,430	*	7/2000	Ohi et al.	D16/202
5,657,084	*	8/1997	Kurokawa et al.	348/373

OTHER PUBLICATIONS

Toshiba Mobile Entertainment Catalog, "Librettoff 1100"; 2 pages, Jun., 1999.

* cited by examiner

Primary Examiner—Adir Aronovich

(74) *Attorney, Agent, or Firm*—Rader, Fishman & Grauer

(57) **CLAIM**

The ornamental design for a video camera, as shown and described.

DESCRIPTION

FIG. 1 is a perspective view of a video camera showing my design;

FIG. 2 is a top plan view thereof;

FIG. 3 is a bottom plan view thereof;

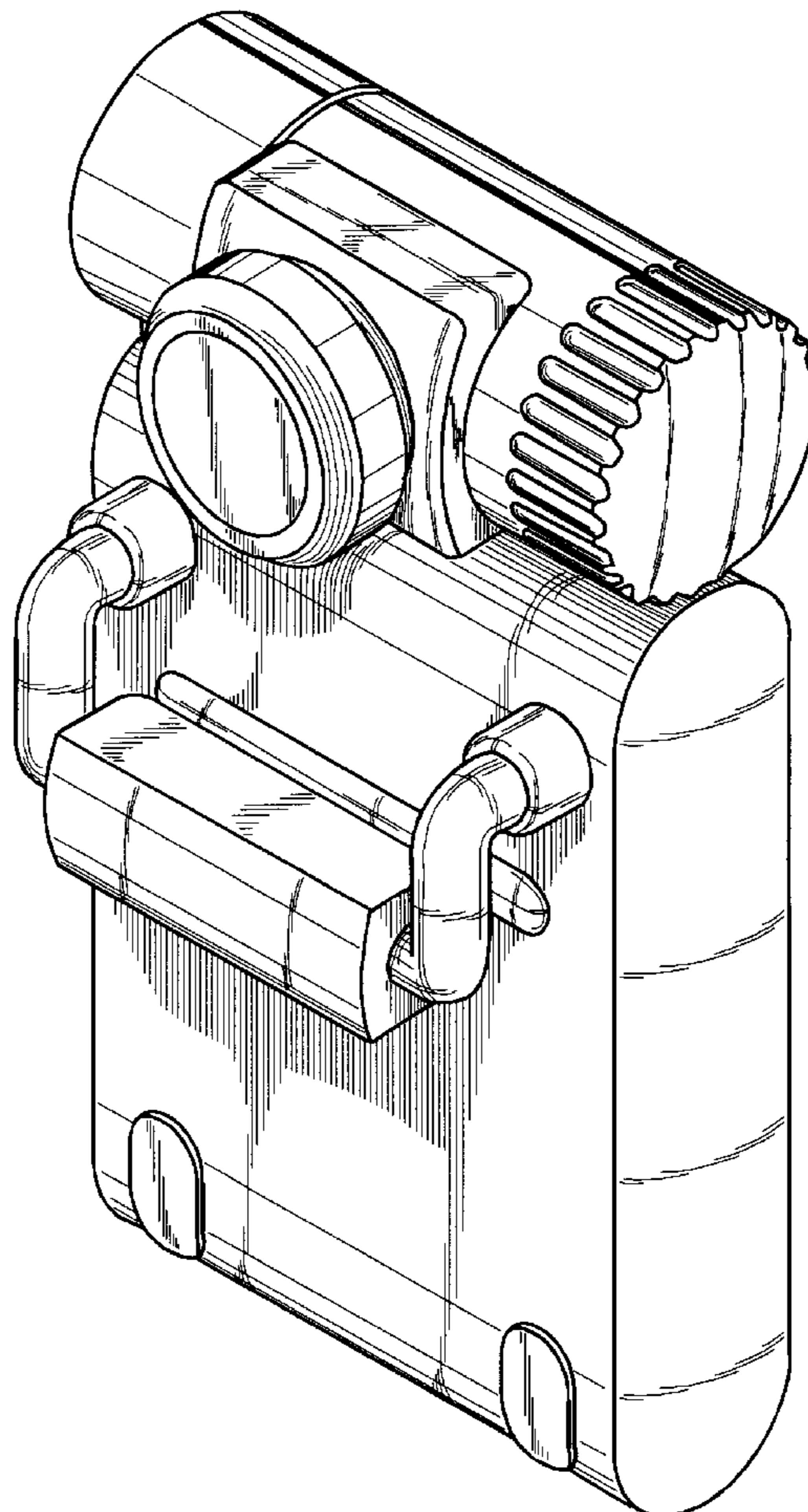
FIG. 4 is a left side elevational view thereof;

FIG. 5 is a right side elevational view thereof;

FIG. 6 is a front elevational view thereof; and,

FIG. 7 is a rear elevational view thereof.

1 Claim, 4 Drawing Sheets



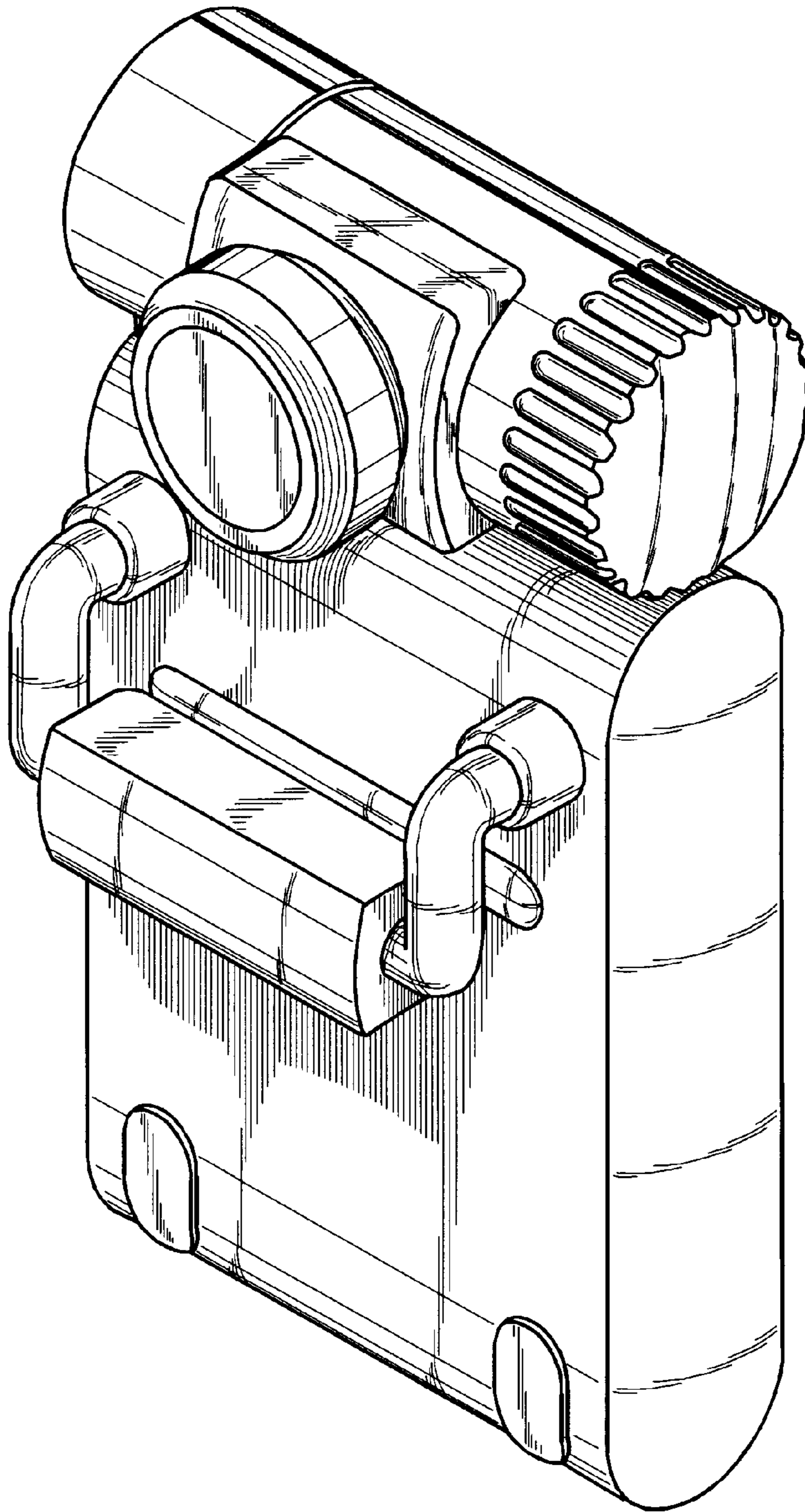


Fig. 1

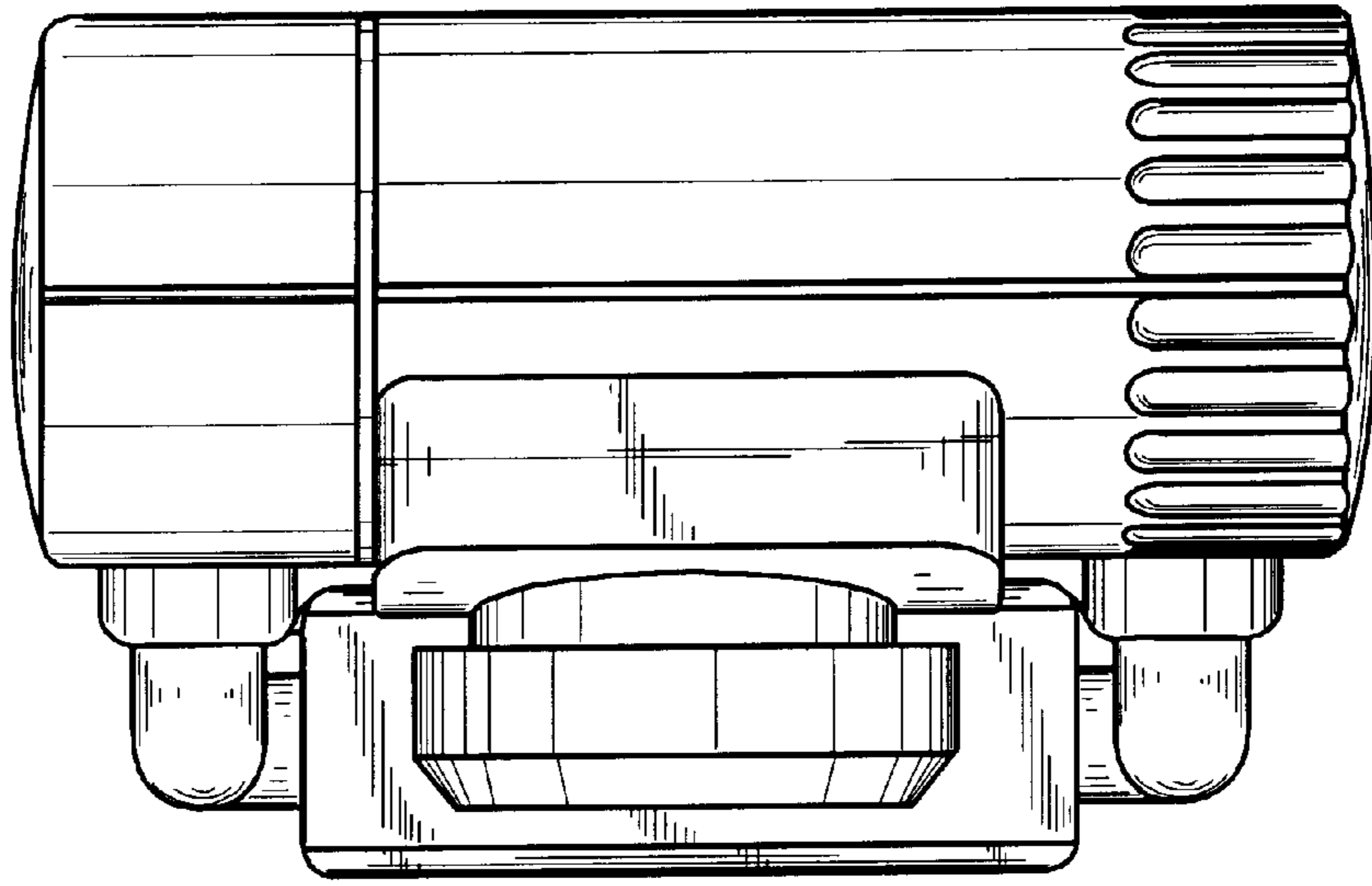


Fig. 2

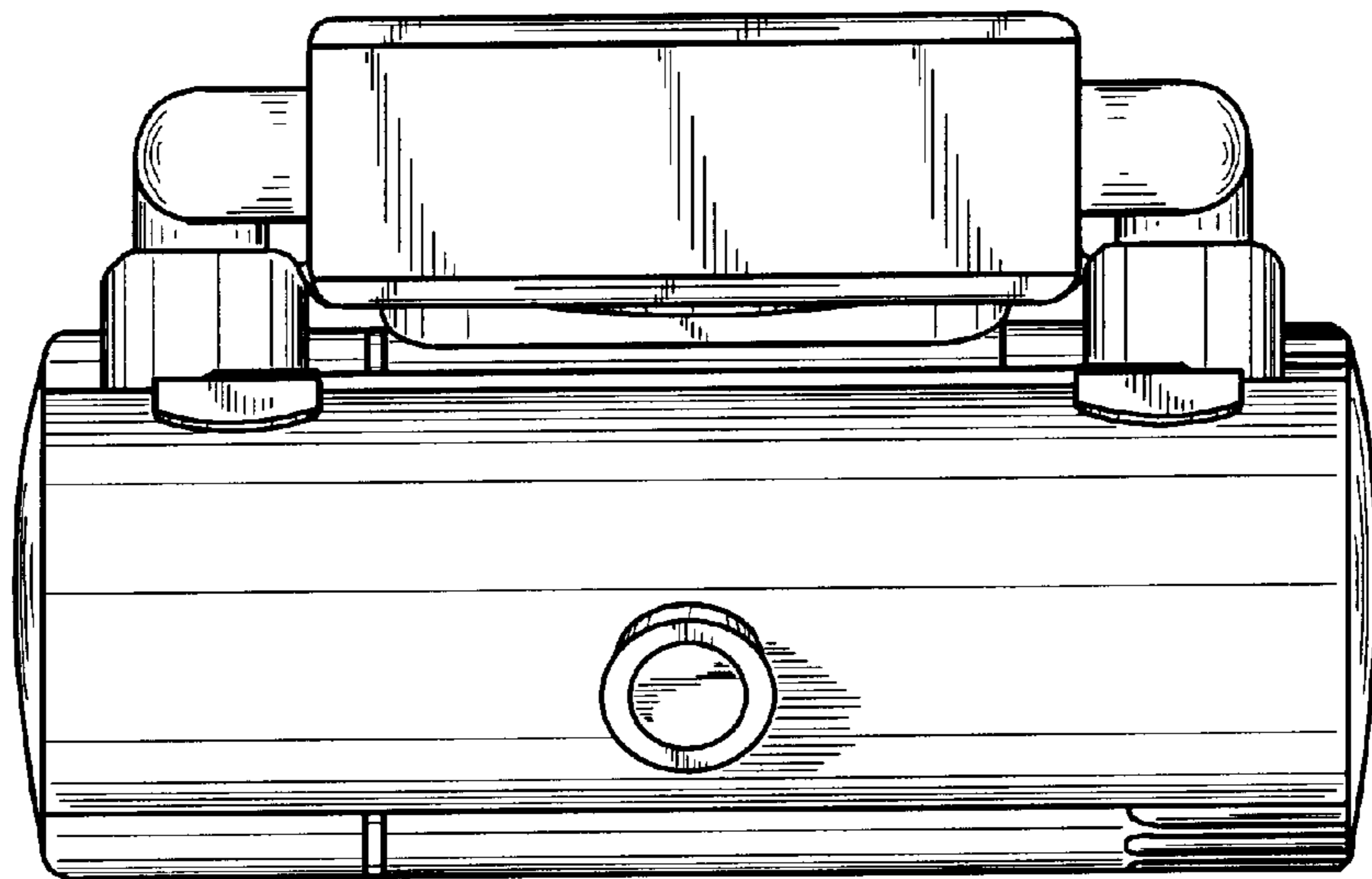


Fig. 3

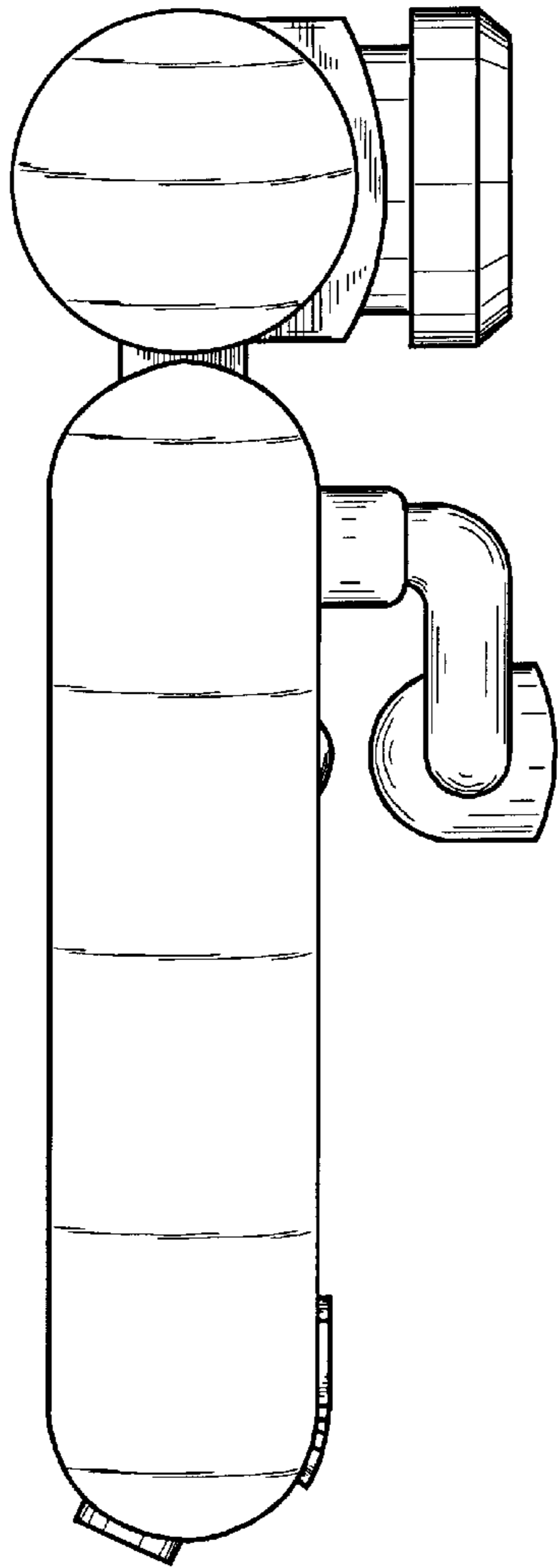


Fig. 4

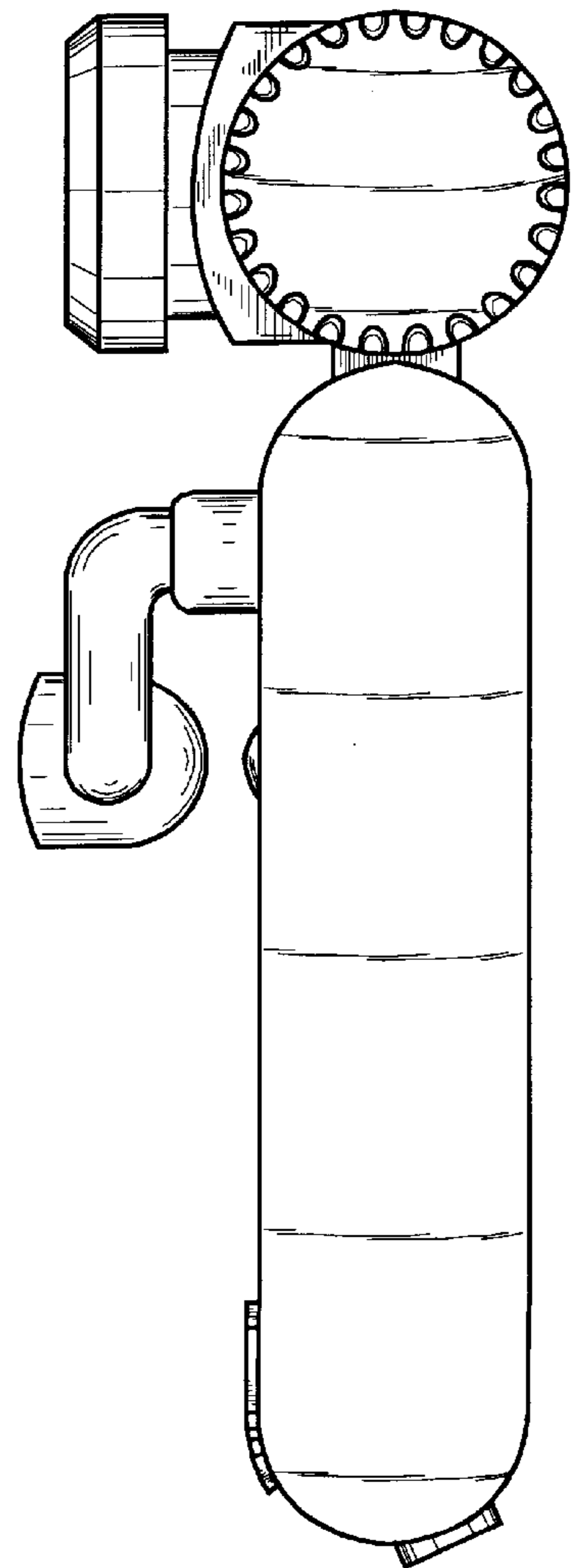


Fig. 5

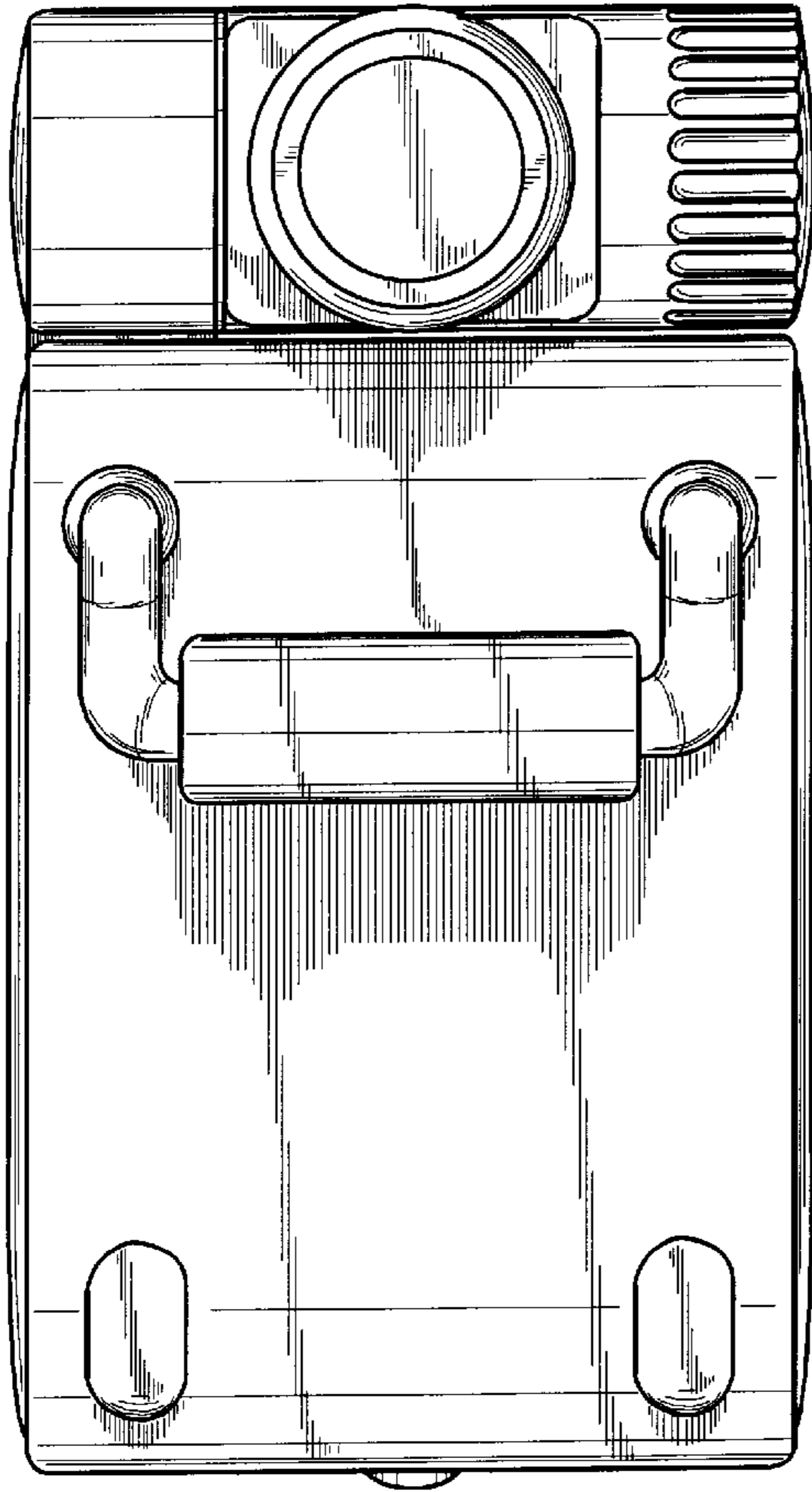


Fig. 6

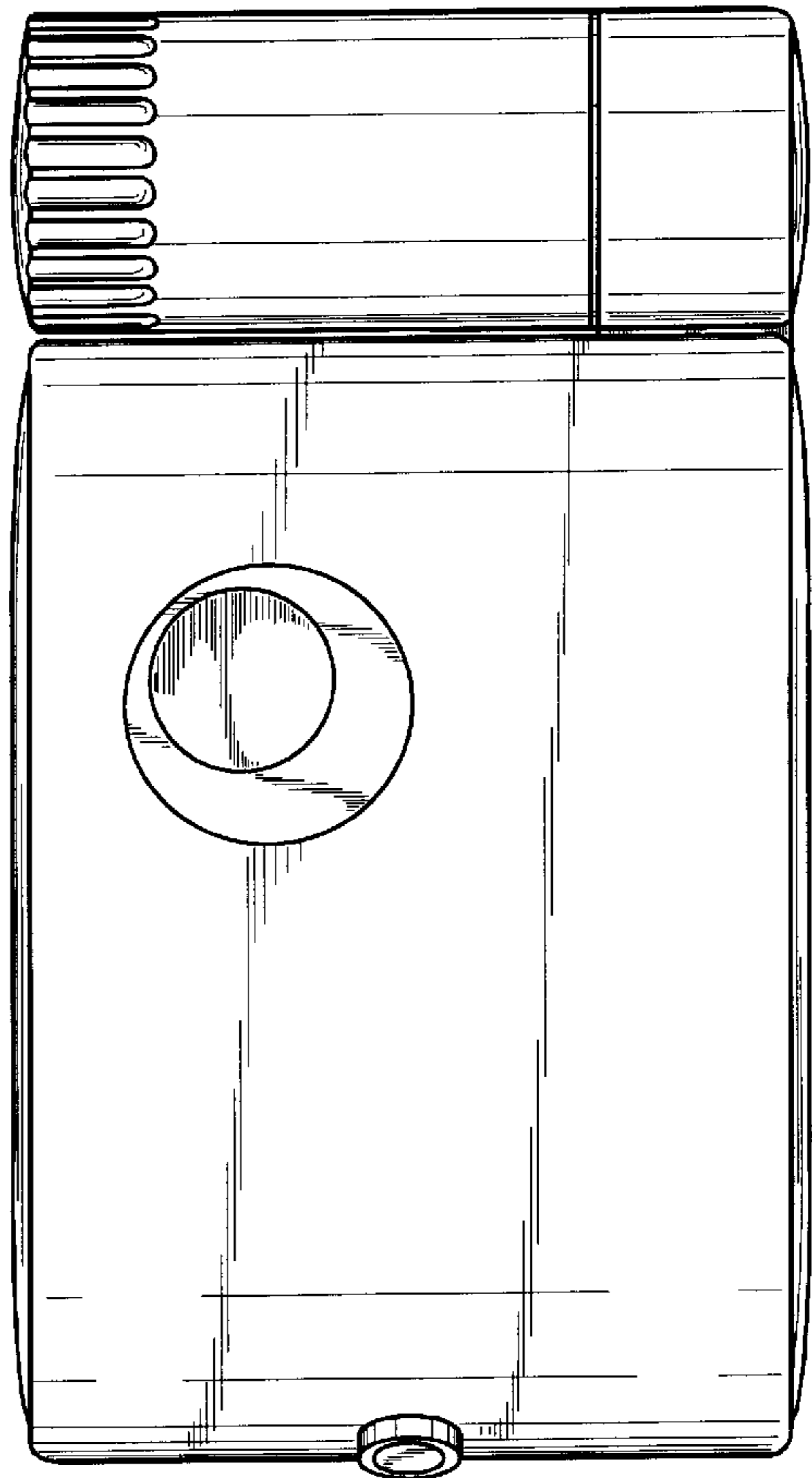


Fig. 7