



US00D440584S

(12) **United States Design Patent**
Lee

(10) **Patent No.:** **US D440,584 S**

(45) **Date of Patent:** **** Apr. 17, 2001**

(54) **BINOCULAR**

(76) **Inventor:** **Li-Hwa Lee**, 13th Fl., No. 94, Sec. 1,
Hsin-Tai Wu Rd., Hsichih City, Taipei
Hsien (TW)

(**) **Term:** **14 Years**

(21) **Appl. No.:** **29/124,206**

(22) **Filed:** **Jun. 1, 2000**

(51) **LOC (7) Cl.** **16-06**

(52) **U.S. Cl.** **D16/133**

(58) **Field of Search** D16/130, 133;
359/408, 409, 410, 411, 412, 413, 414,
415, 416, 418, 419

(56) **References Cited**

U.S. PATENT DOCUMENTS

- D. 298,261 * 10/1988 Ogasawara D16/133
- D. 307,154 * 4/1990 Shishikura D16/133
- D. 367,662 * 3/1996 Chan D16/133

- D. 387,077 * 12/1997 Lee D16/133
- D. 395,055 * 6/1998 Lee D16/133
- D. 412,921 * 8/1999 Hayamizu D16/133

* cited by examiner

Primary Examiner—Paula A. Mortimer
(74) *Attorney, Agent, or Firm*—Thorp Reed & Armstrong,
LLP

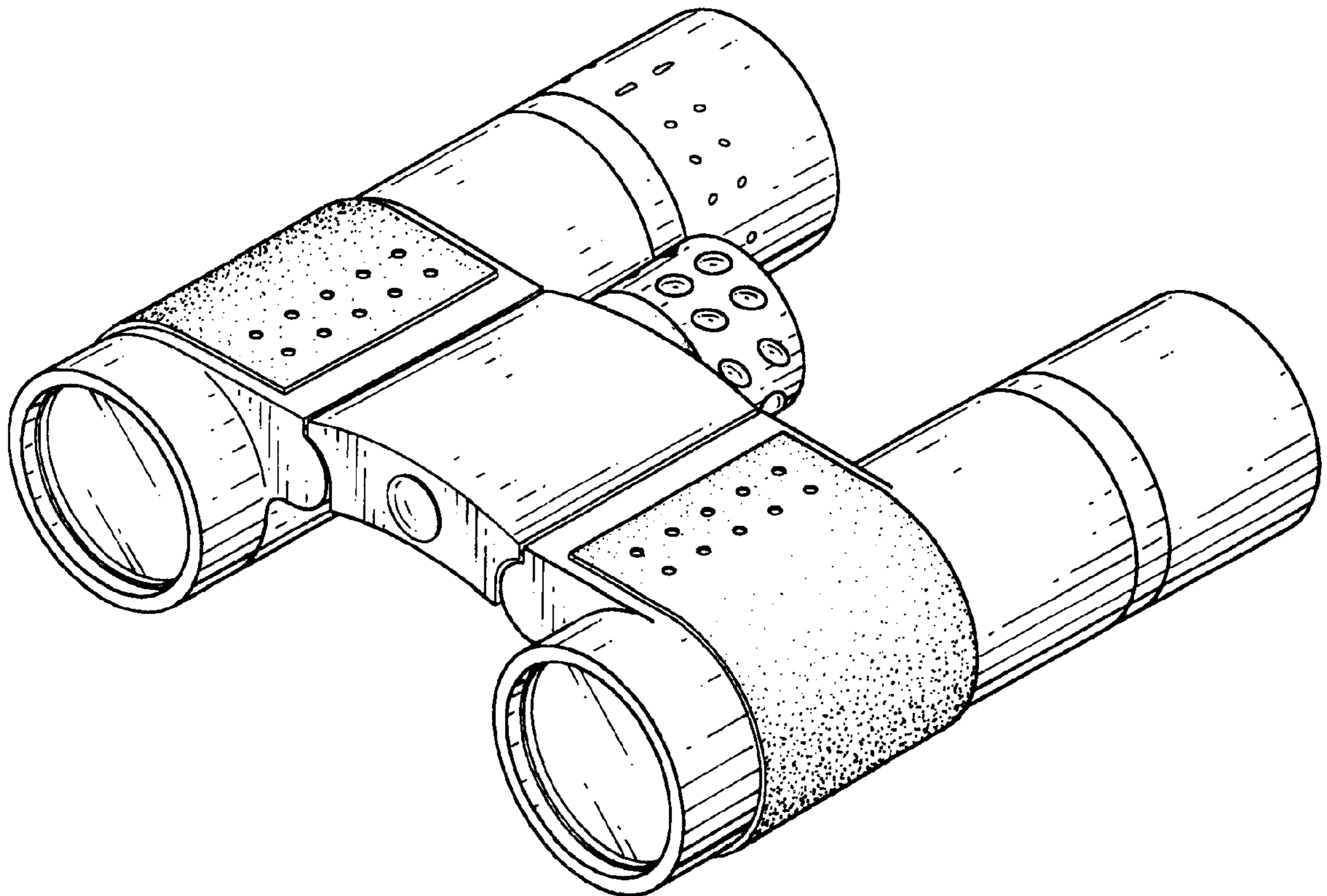
(57) **CLAIM**

The ornamental design for a binocular, as shown.

DESCRIPTION

FIG. 1 is a perspective view of a binocular, showing my new design;
FIG. 2 is a front elevational view thereof;
FIG. 3 is a rear elevational view thereof;
FIG. 4 is a left elevational view thereof;
FIG. 5 is a right elevational view thereof;
FIG. 6 is a top plan view thereof; and,
FIG. 7 is a bottom plan view thereof.

1 Claim, 4 Drawing Sheets



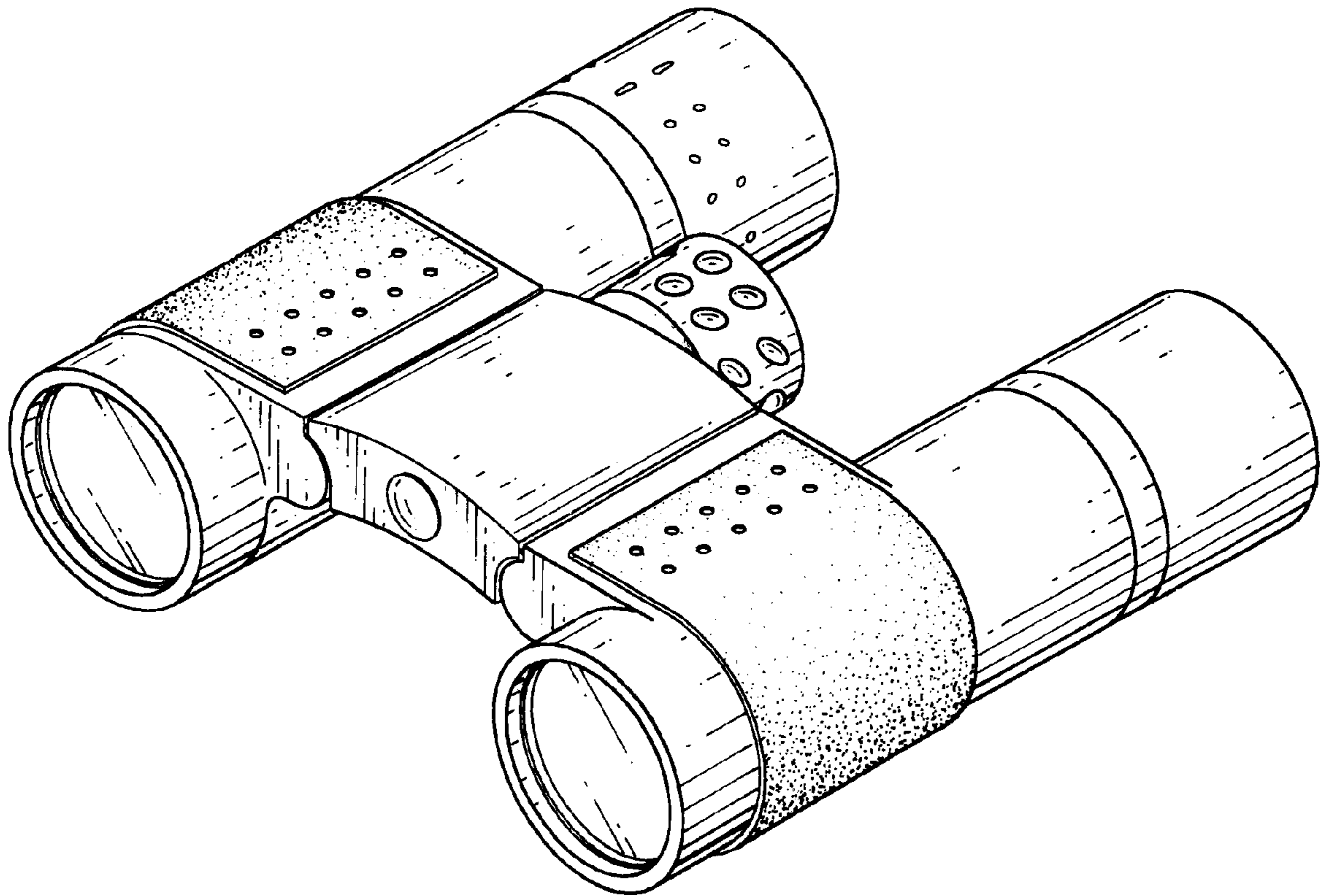


FIG.1

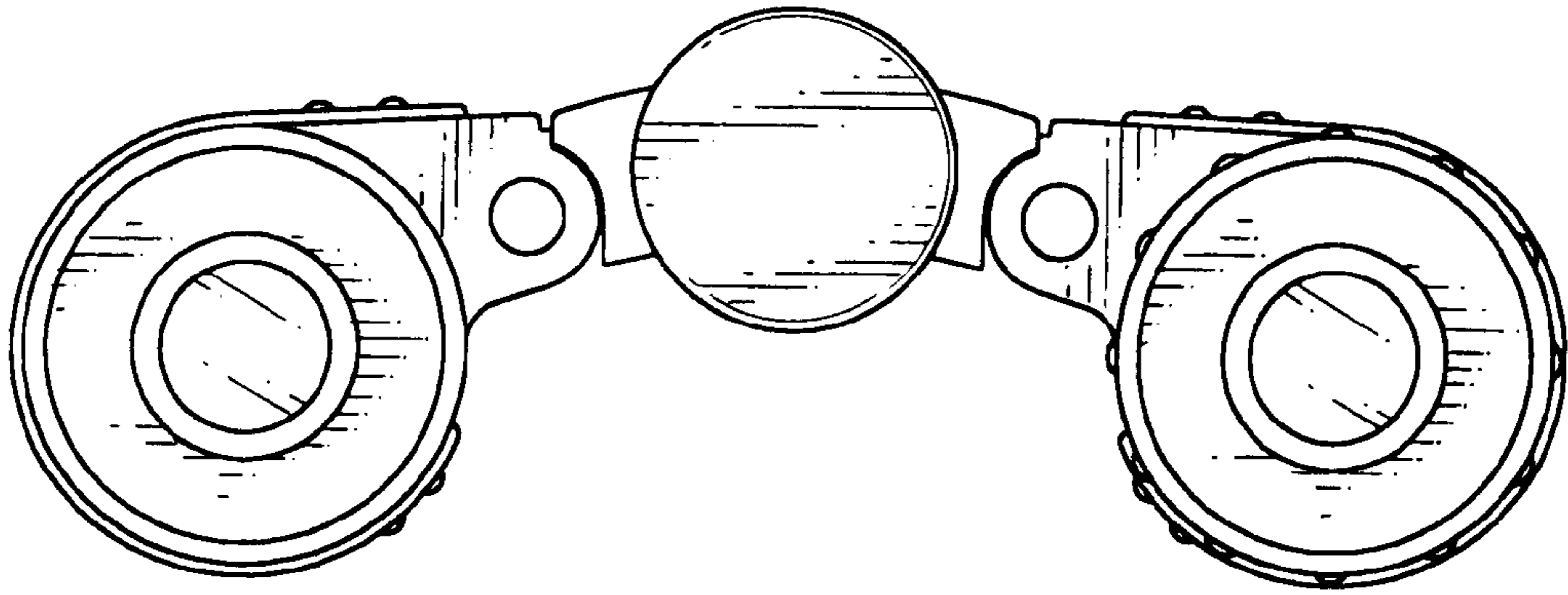


FIG. 3

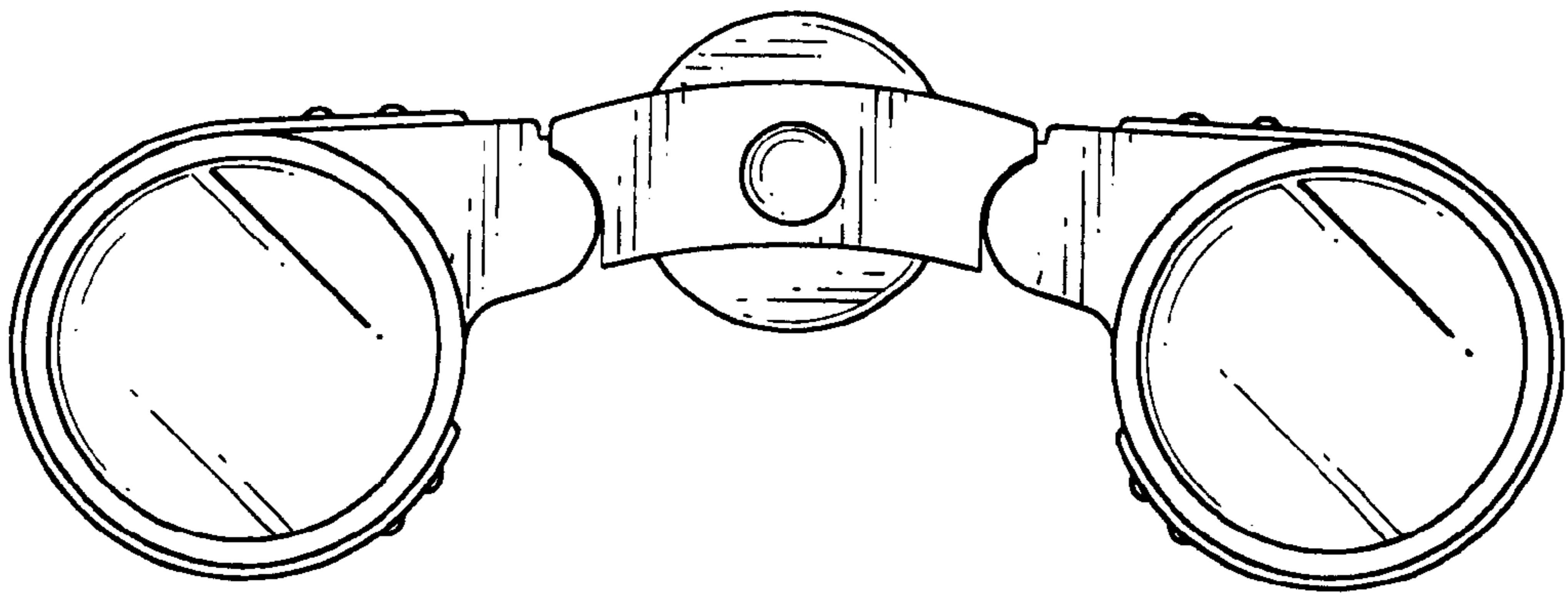


FIG. 2

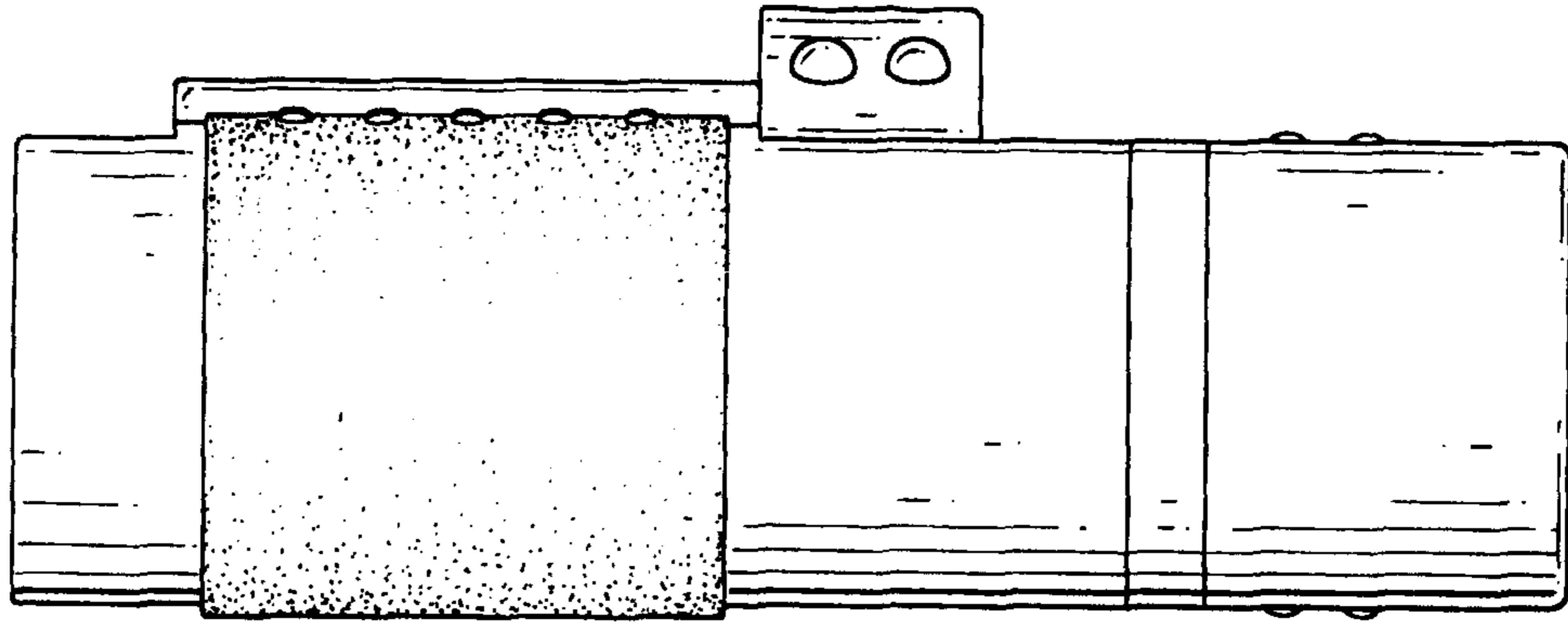


FIG. 4

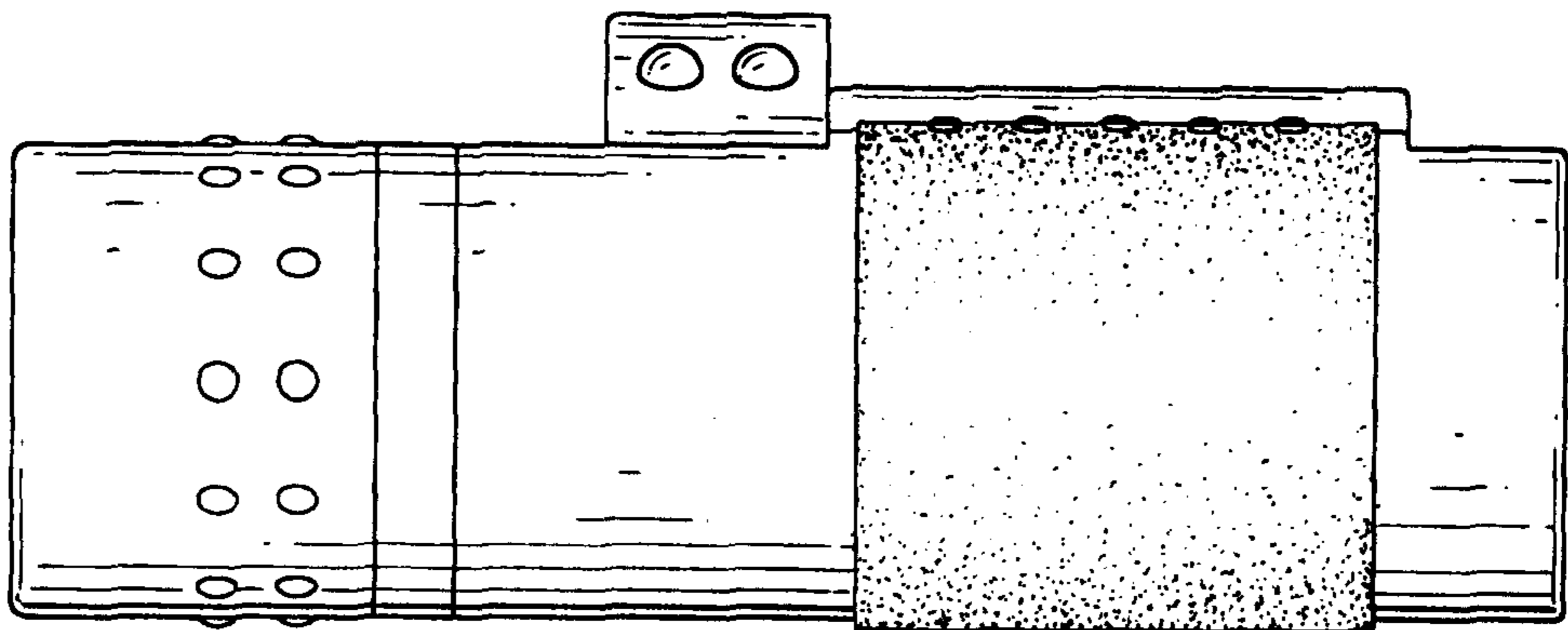


FIG. 5

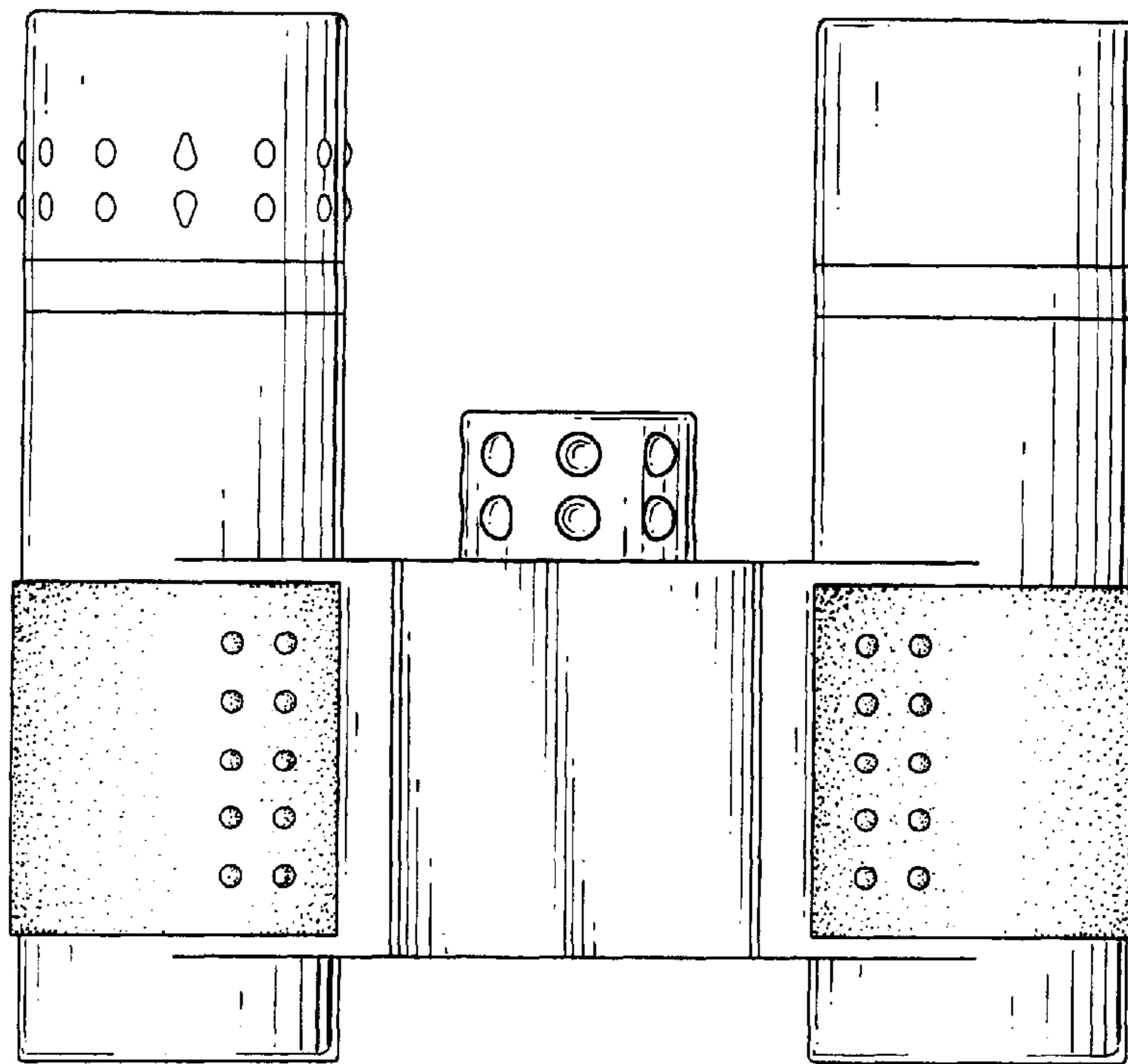


FIG. 6

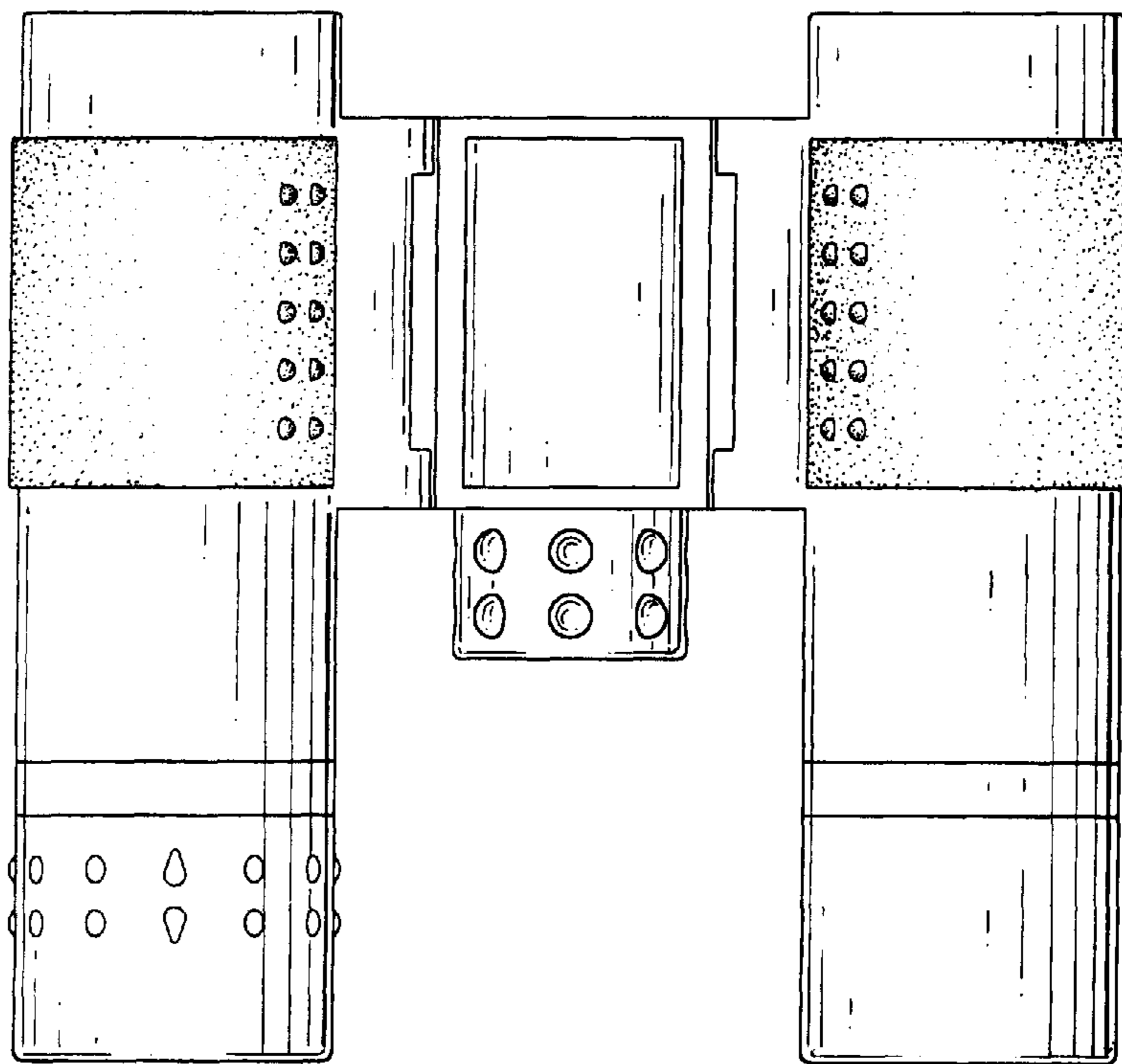


FIG. 7