



US00D440583S

(12) **United States Design Patent**  
**Greene, Jr.**

(10) **Patent No.:** **US D440,583 S**

(45) **Date of Patent:** **\*\* Apr. 17, 2001**

(54) **WATCH WINDER**

4,057,958 11/1977 Wuntch ..... 58/82 R

5,608,693 3/1997 Richards ..... 368/10

5,988,871 11/1999 Bonnet ..... 368/206

(76) Inventor: **George J. Greene, Jr.**, 19970 Holly Hills Dr., LaRue, TX (US) 75770-9756

(\*\*) Term: **14 Years**

*Primary Examiner*—Antoine Duval Davis

(74) *Attorney, Agent, or Firm*—C. W. Alworth

(21) Appl. No.: **29/124,745**

(57) **CLAIM**

(22) Filed: **Jun. 10, 2000**

The ornamental design for a watch winder, as shown and described.

(51) **LOC (7) Cl.** ..... **15-09**

**DESCRIPTION**

(52) **U.S. Cl.** ..... **D15/199**

(58) **Field of Search** ..... D15/199; 368/206–213, 368/10; 73/6; 81/7.5

FIG. 1, is an isometric view of a watch winder, showing my new design.

FIG. 2, is the left side elevational view of thereof.

FIG. 3, is the right side elevational view of thereof.

FIG. 4, is a front view of thereof.

FIG. 5, is a rear view of thereof; and,

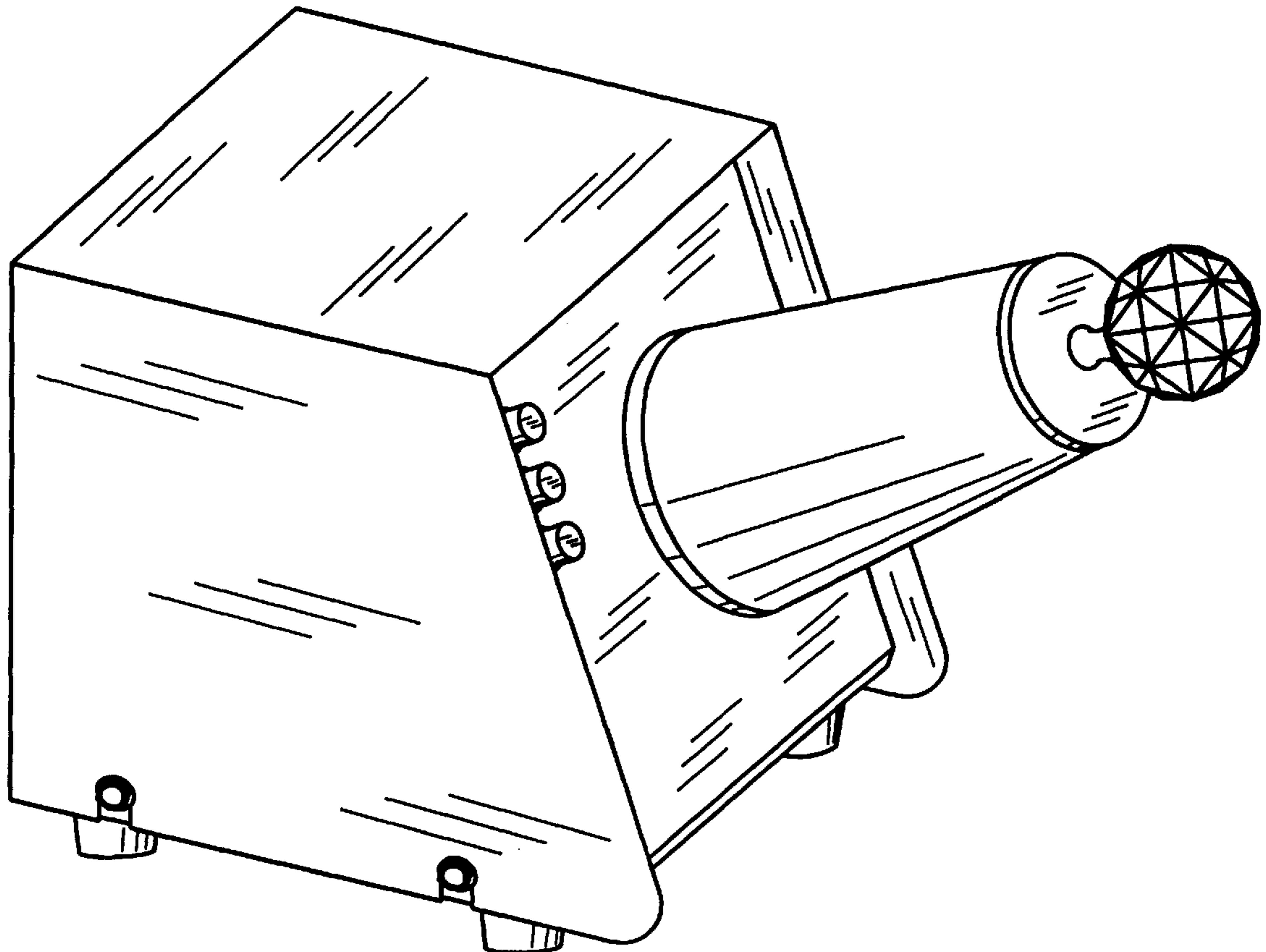
FIG. 6, is a bottom view of thereof.

(56) **References Cited**

**U.S. PATENT DOCUMENTS**

2,860,534	11/1958	Nelson	81/7.5
2,863,345	12/1958	Fiechter	81/75
2,917,955	12/1959	Leger	81/7.5
3,620,007	11/1971	Kauffman	58/80

**1 Claim, 6 Drawing Sheets**



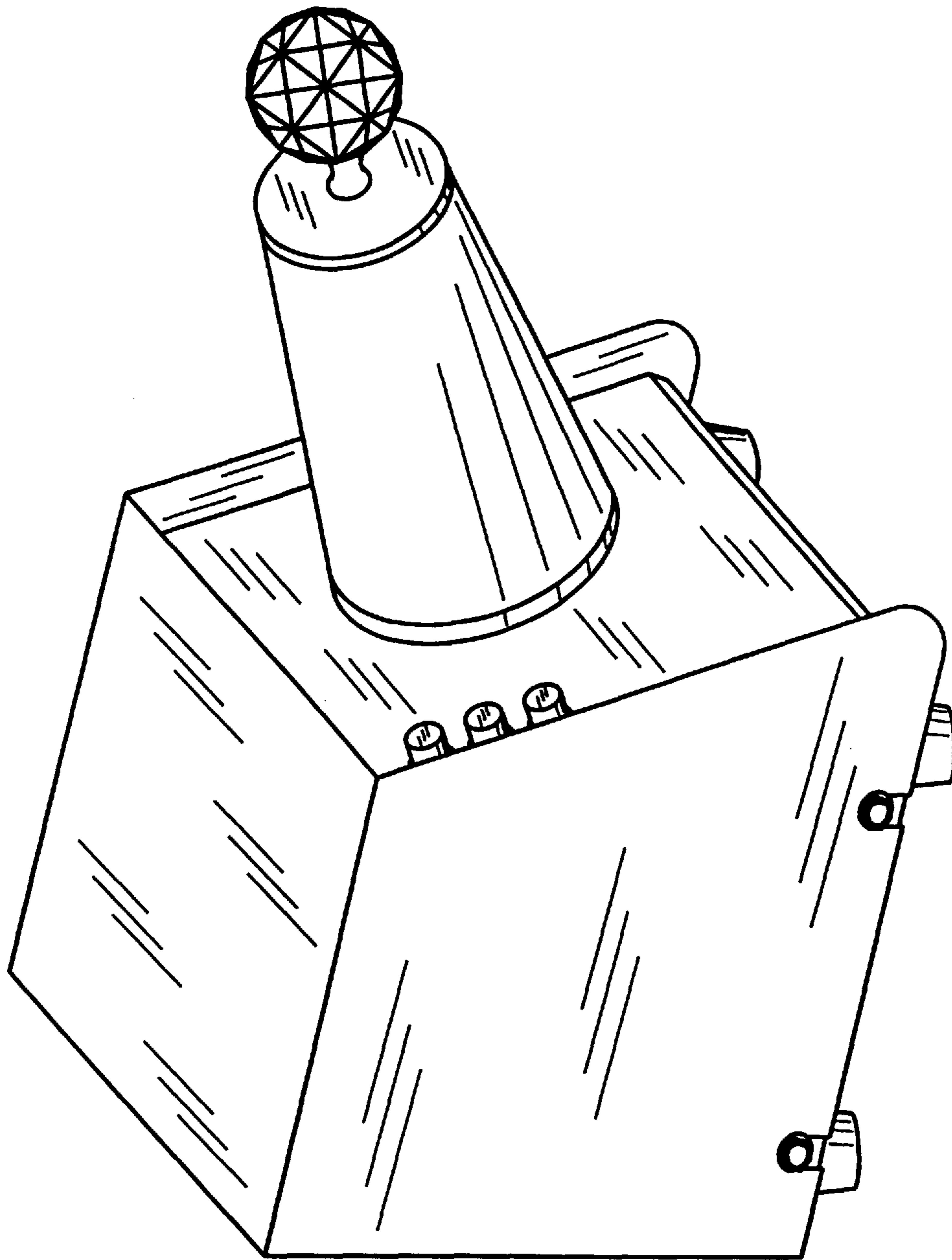


FIGURE 1

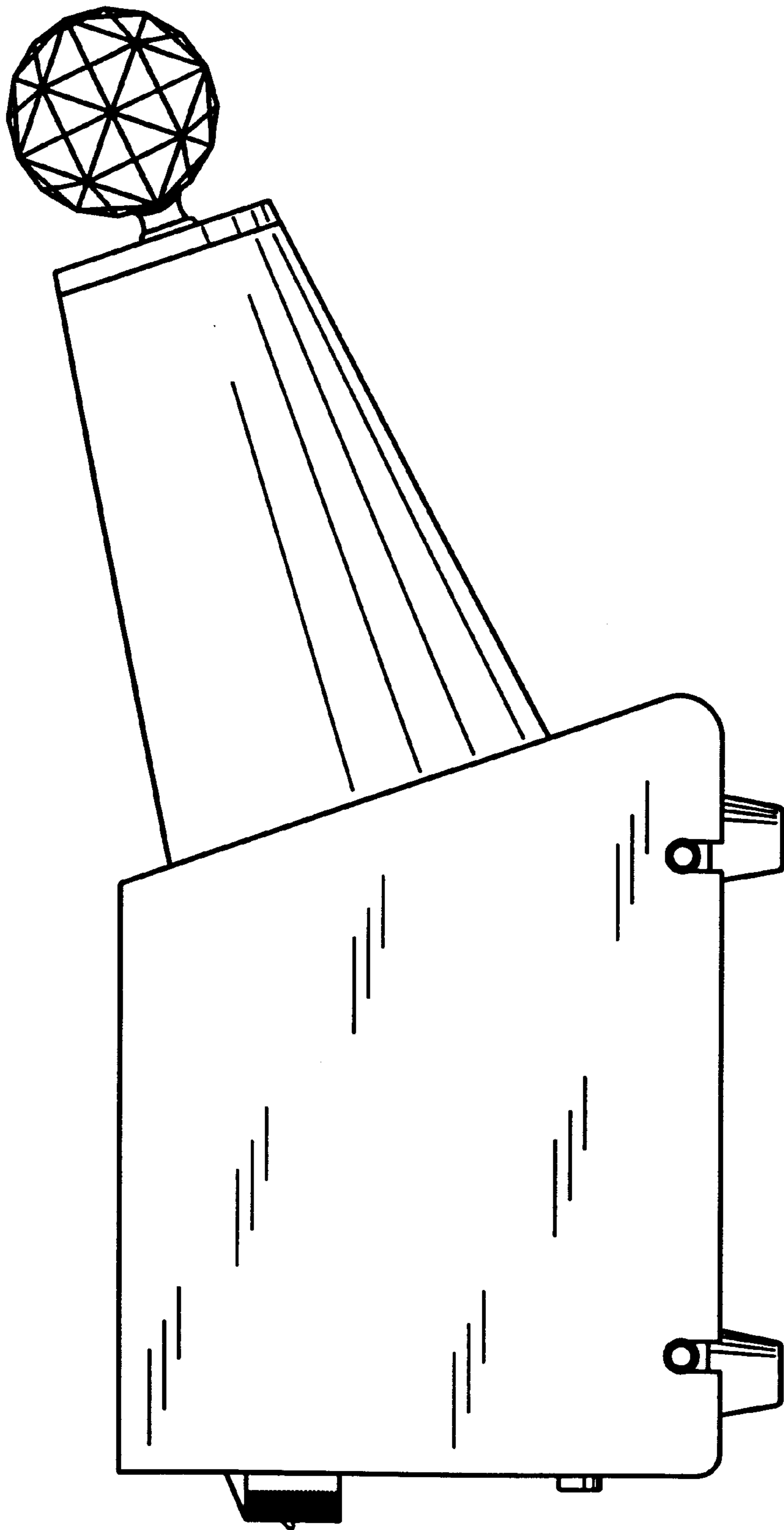


FIGURE 2

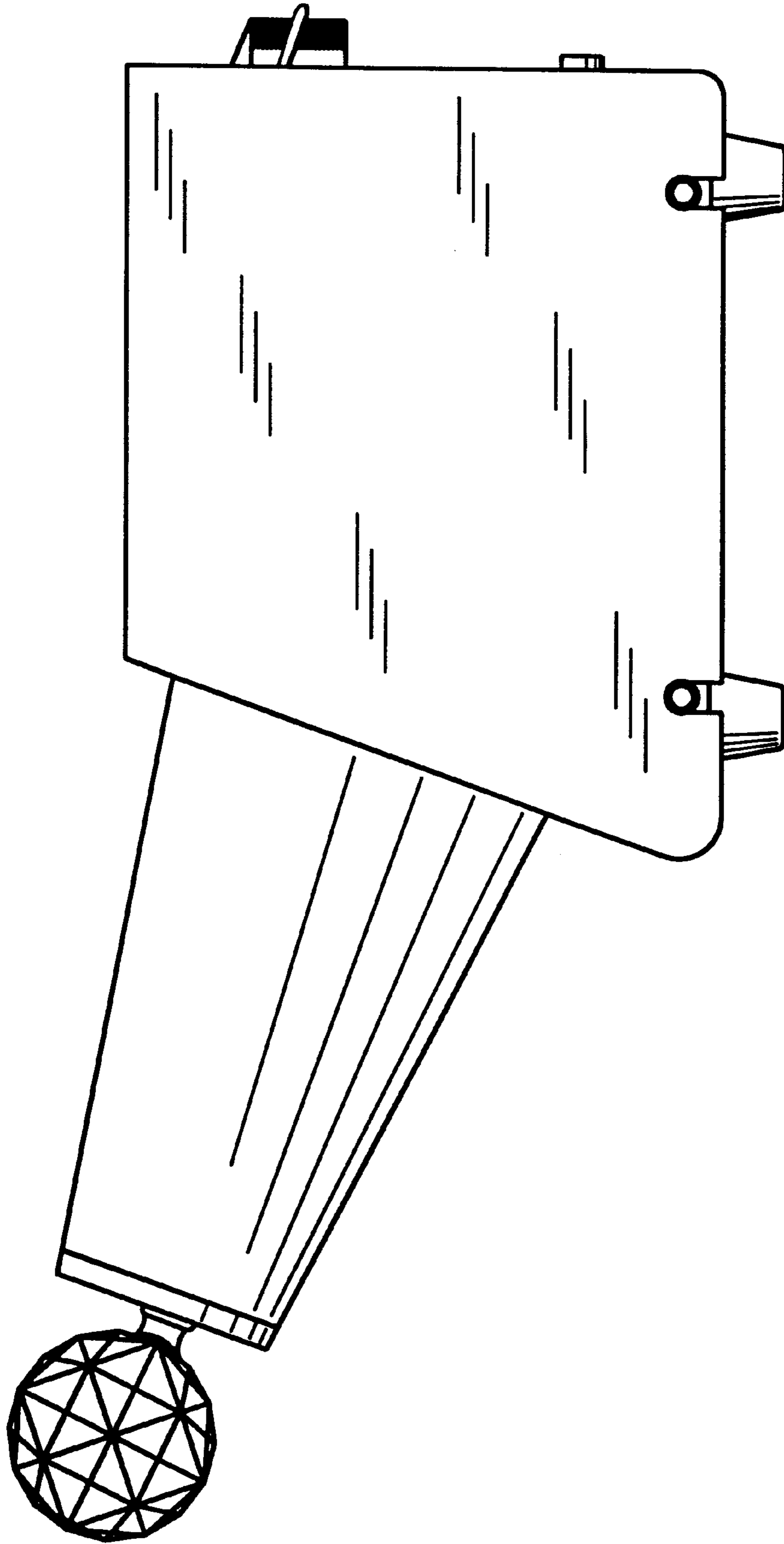


FIGURE 3

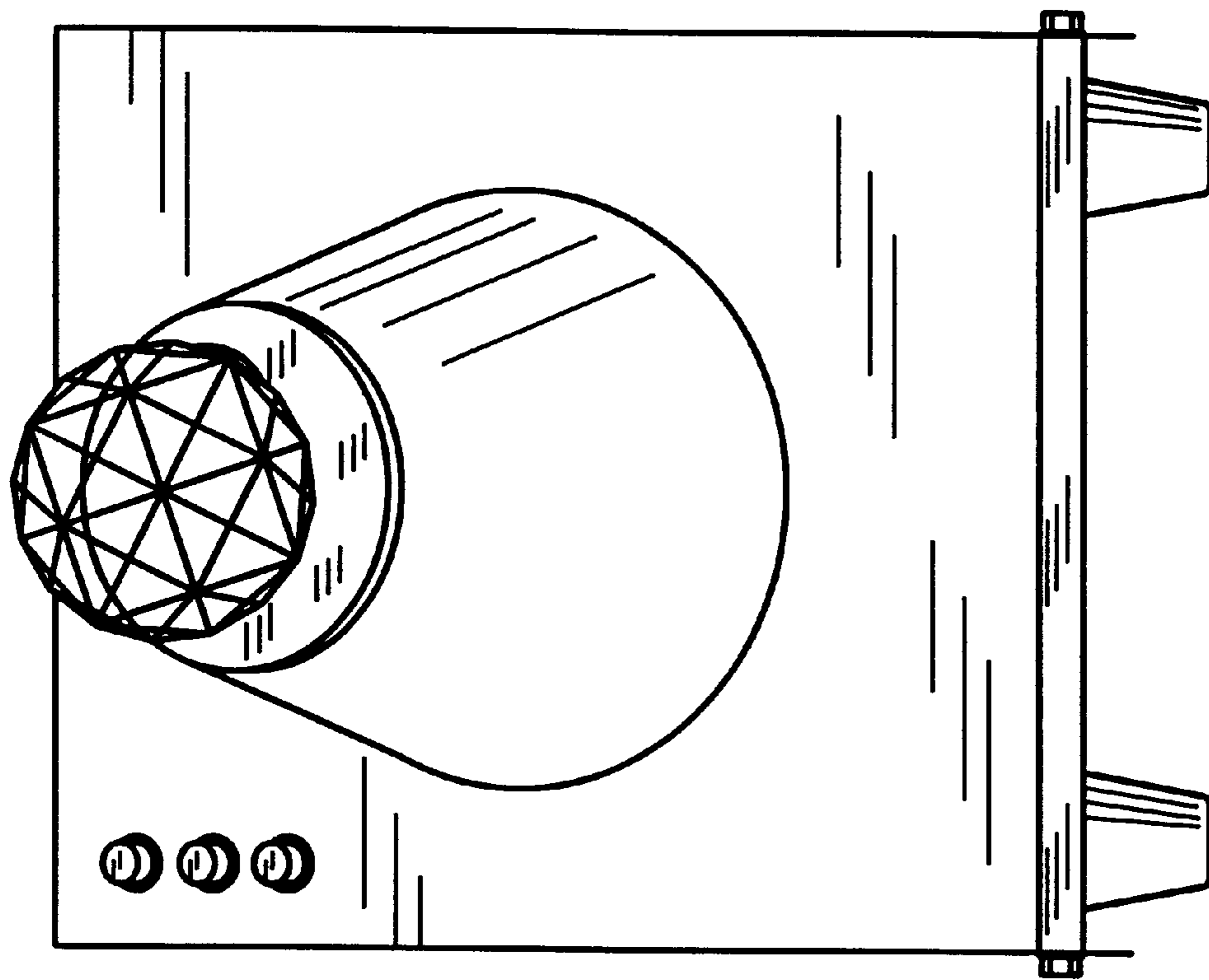


FIGURE 4

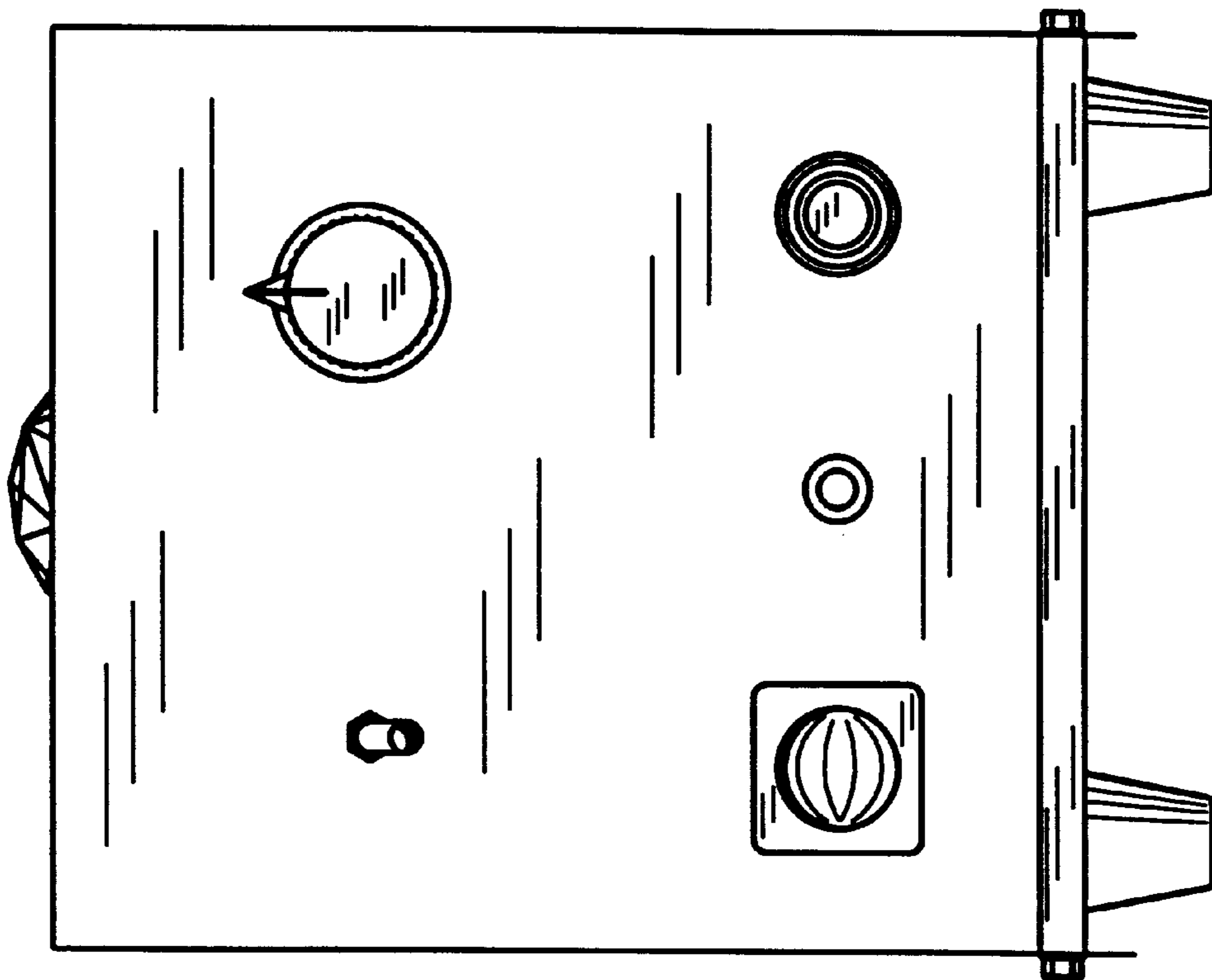


FIGURE 5

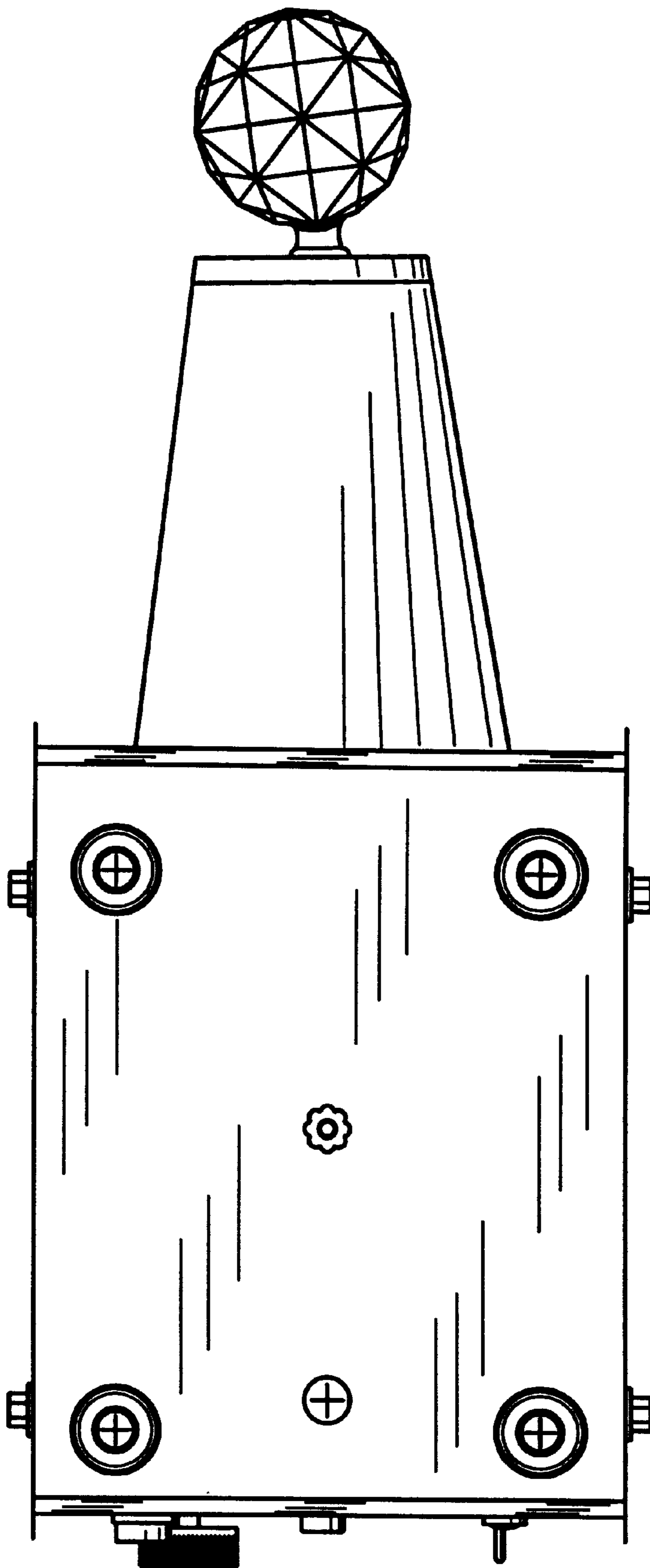


FIGURE 6