



US00D440581S

(12) **United States Design Patent**  
**Sherman, II et al.**

(10) **Patent No.:** **US D440,581 S**

(45) **Date of Patent:** **\*\* Apr. 17, 2001**

(54) **HOUSING FOR A BEARING**

6,045,268 \* 4/2000 Long et al. .... 384/412

(75) Inventors: **William Eugene Sherman, II**, South Bend, IN (US); **Randall Michael Zonca**, Livonia, MI (US); **Timothy James Posey**, Elkhart, IN (US); **David Thomas Sadanowicz**, Canton, MI (US)

\* cited by examiner

*Primary Examiner*—Antoine Duval Davis  
(74) *Attorney, Agent, or Firm*—Leo H. McCormick, Jr.; Warren Comstock

(73) Assignee: **Robert Bosch Corporation**, Broadview, IL (US)

(57) **CLAIM**

(\*\*) Term: **14 Years**

The ornamental design of a housing for a bearing, as shown and described.

(21) Appl. No.: **29/127,232**

**DESCRIPTION**

(22) Filed: **Jul. 31, 2000**

FIG. 1 is a front elevation view of a housing for a bearing showing our new design;

(51) **LOC (7) Cl.** ..... **15-09**

FIG. 2 is a left side elevation view of FIG. 1;

(52) **U.S. Cl.** ..... **D15/143**

FIG. 3 is a top elevation view of FIG. 1;

(58) **Field of Search** ..... D15/143; 384/412, 384/428, 537

FIG. 4 is a rear elevation view of FIG. 1;

FIG. 5 is a right side elevation view of FIG. 1; and,

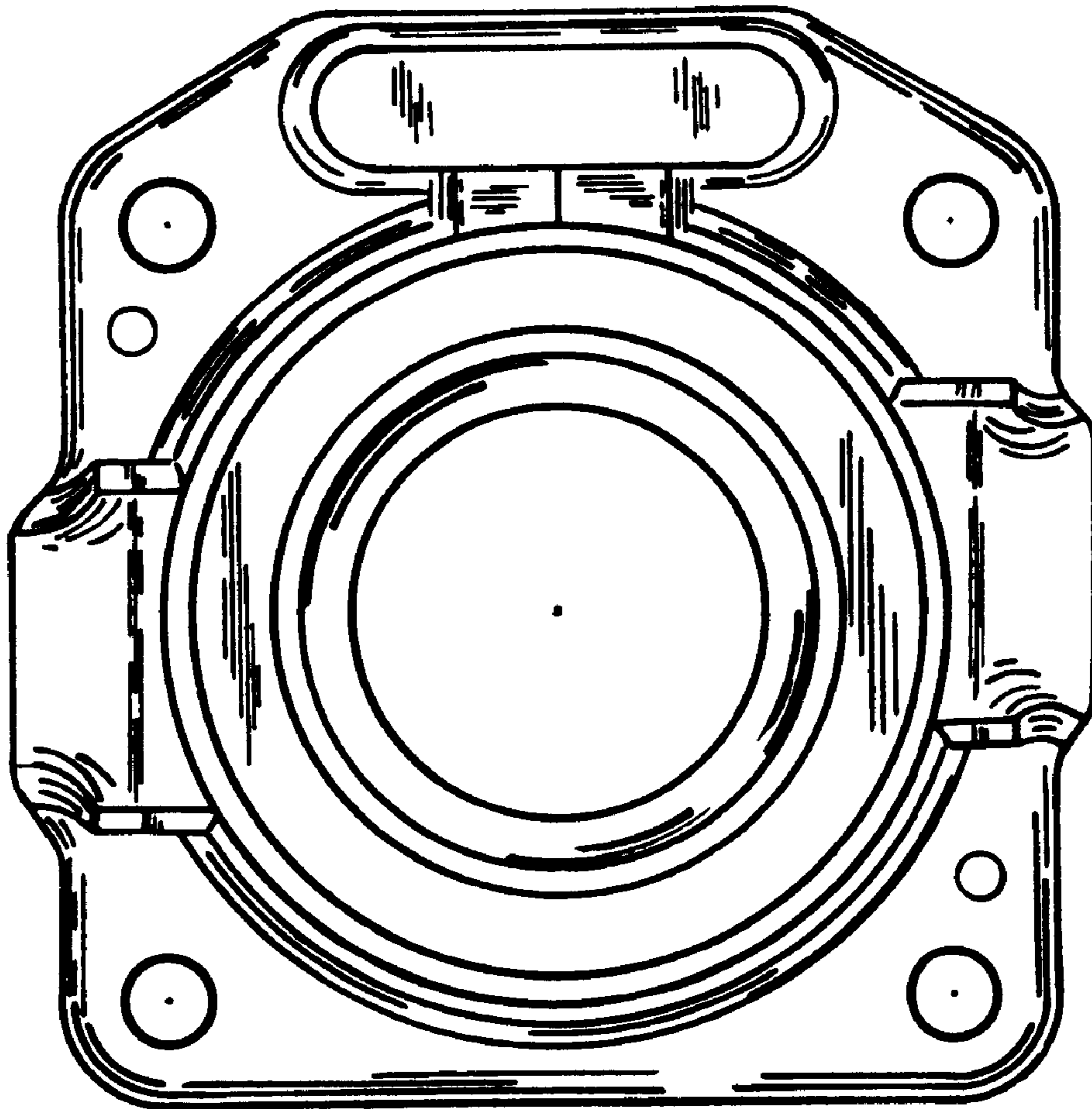
FIG. 6 is a bottom elevation view of FIG. 1.

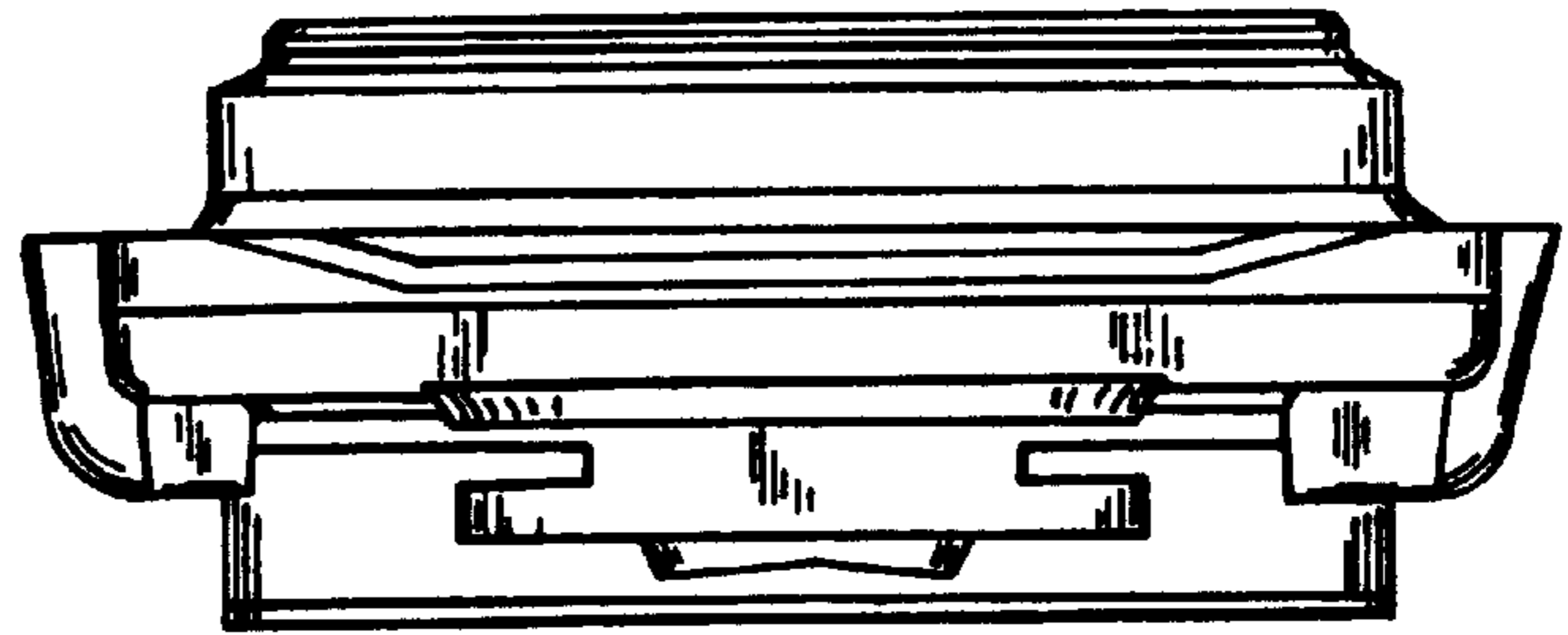
(56) **References Cited**

**U.S. PATENT DOCUMENTS**

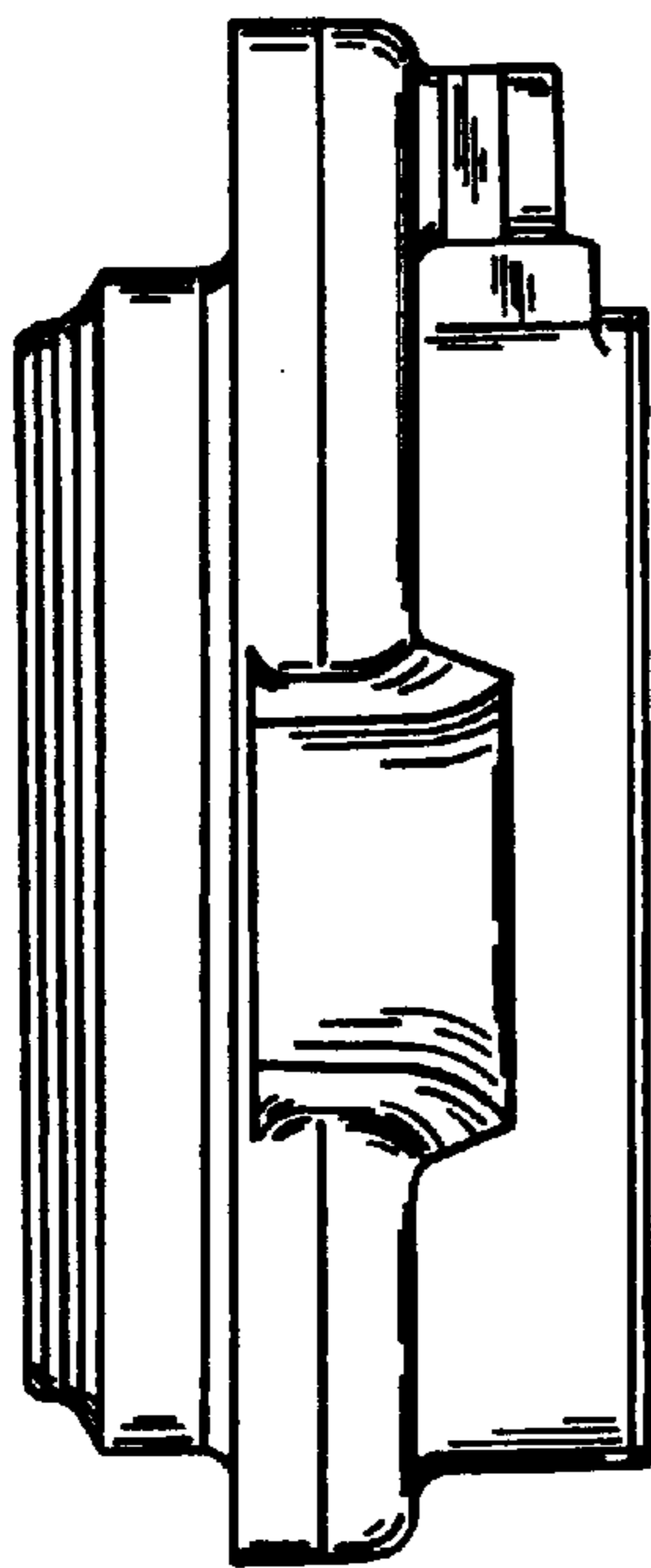
D. 371,138 \* 6/1996 Waskiewicz ..... D15/143

**1 Claim, 2 Drawing Sheets**

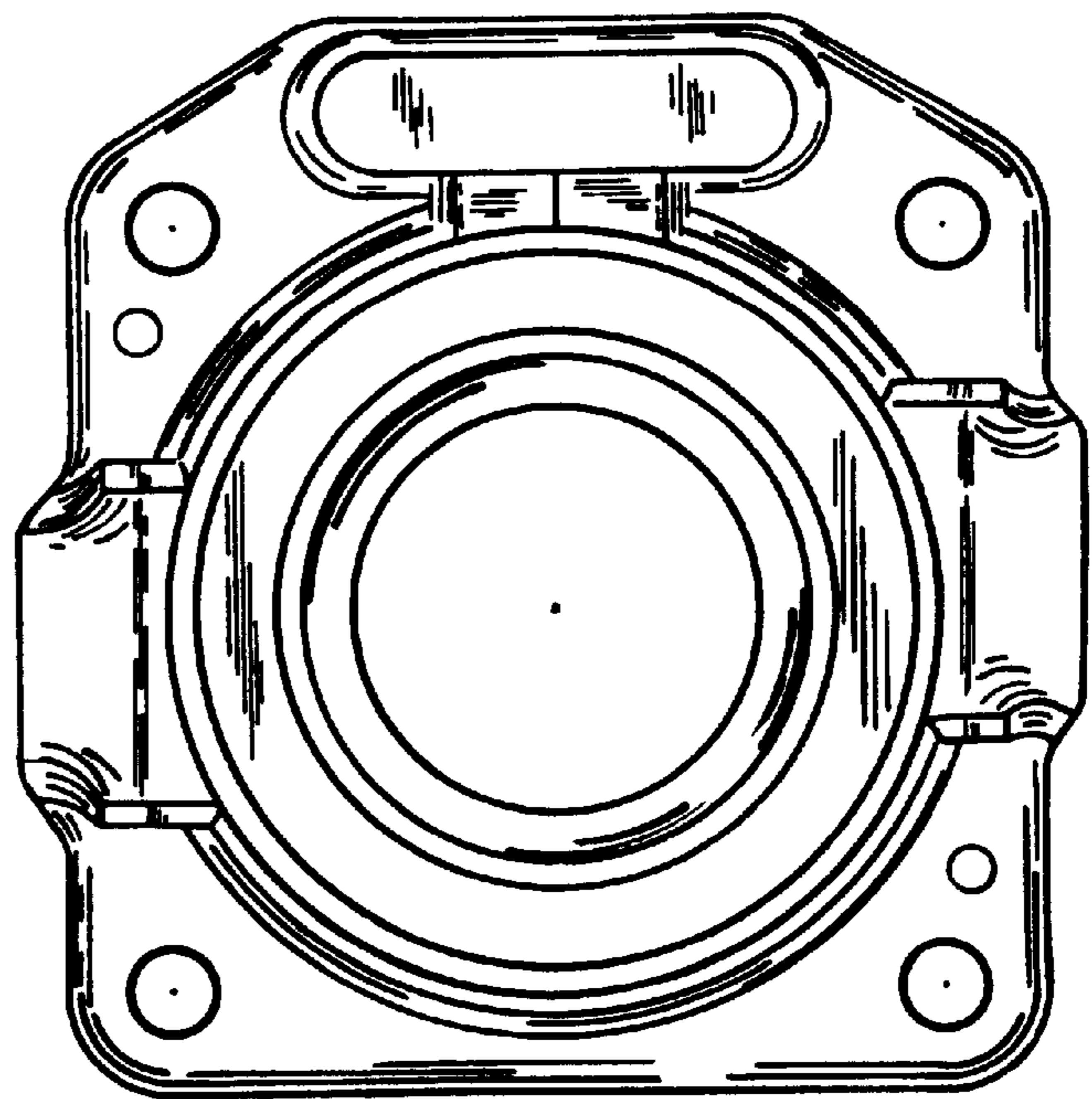




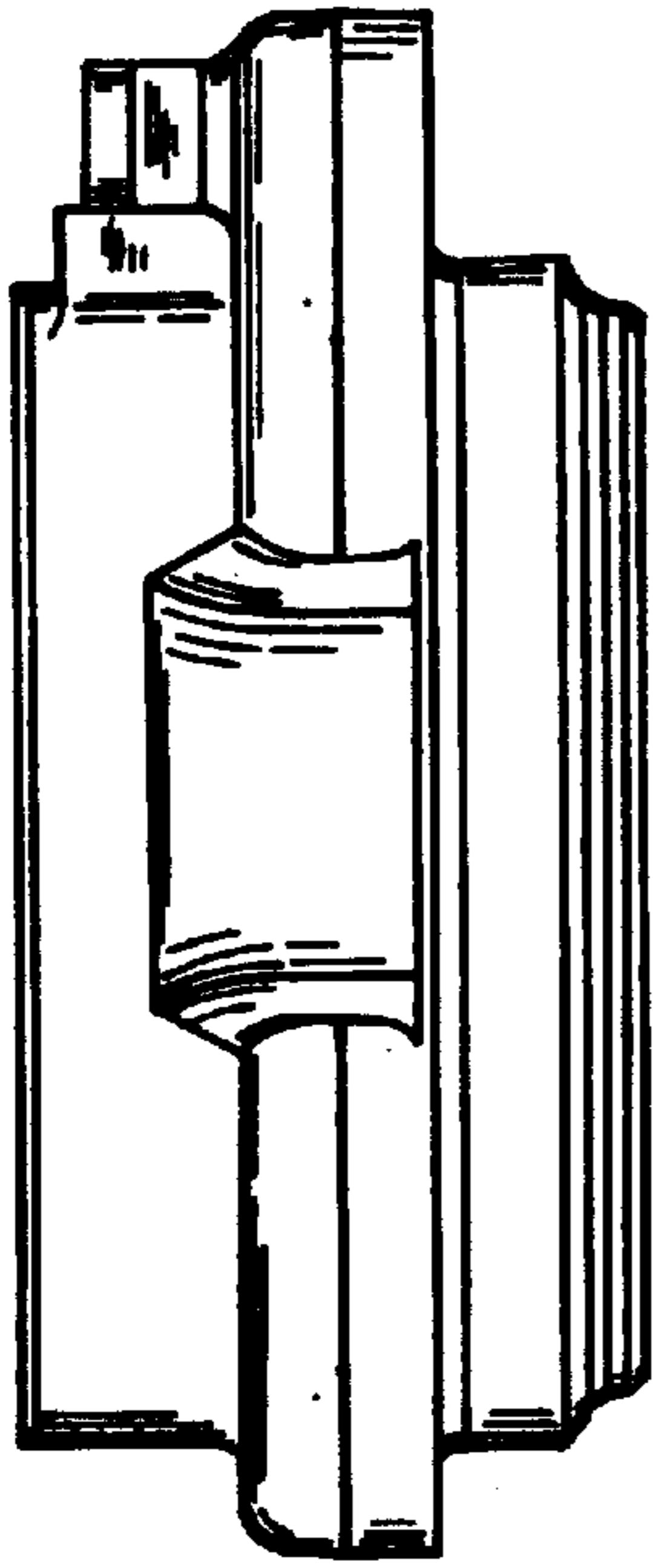
**FIG. 3**



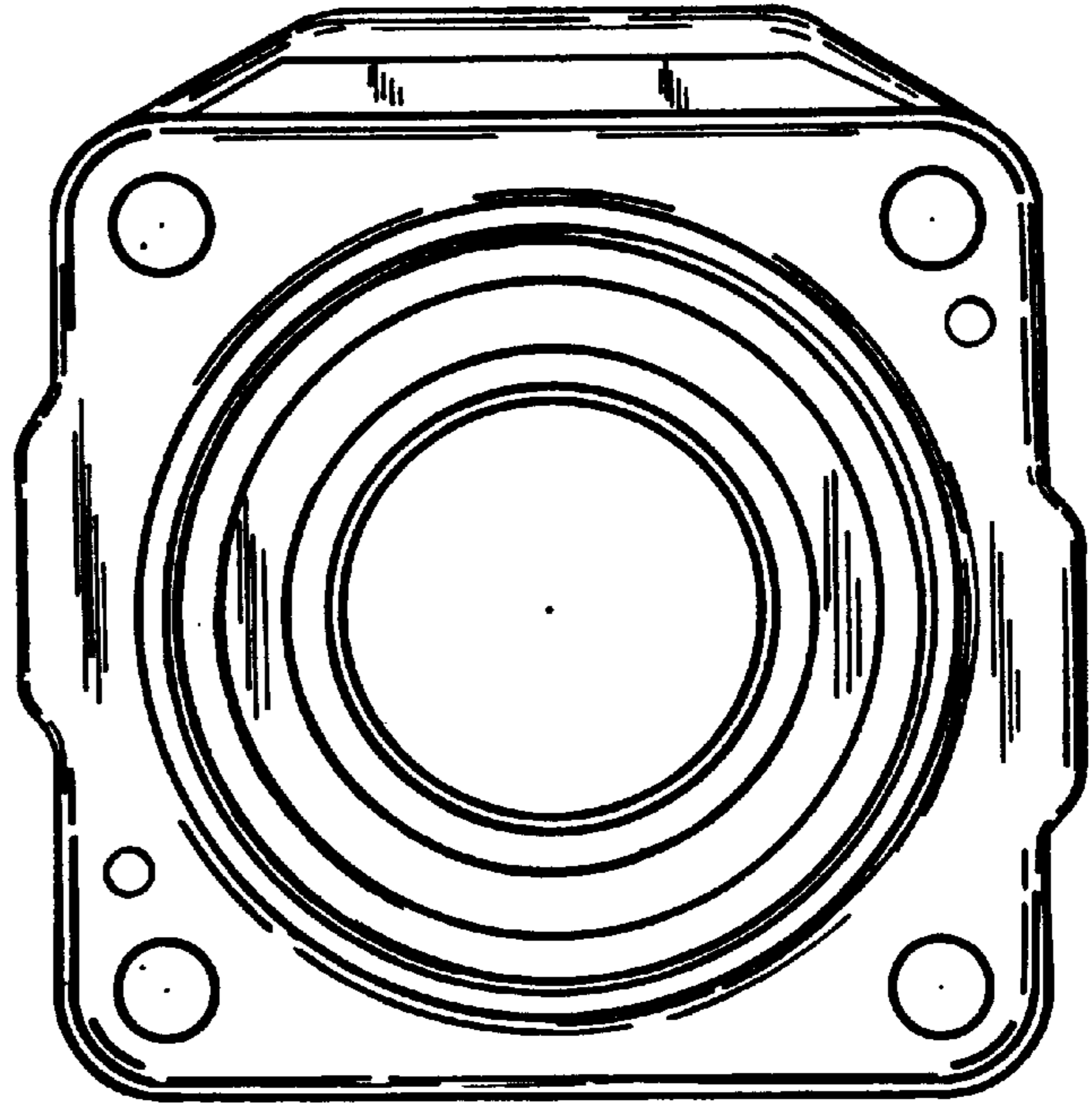
**FIG. 2**



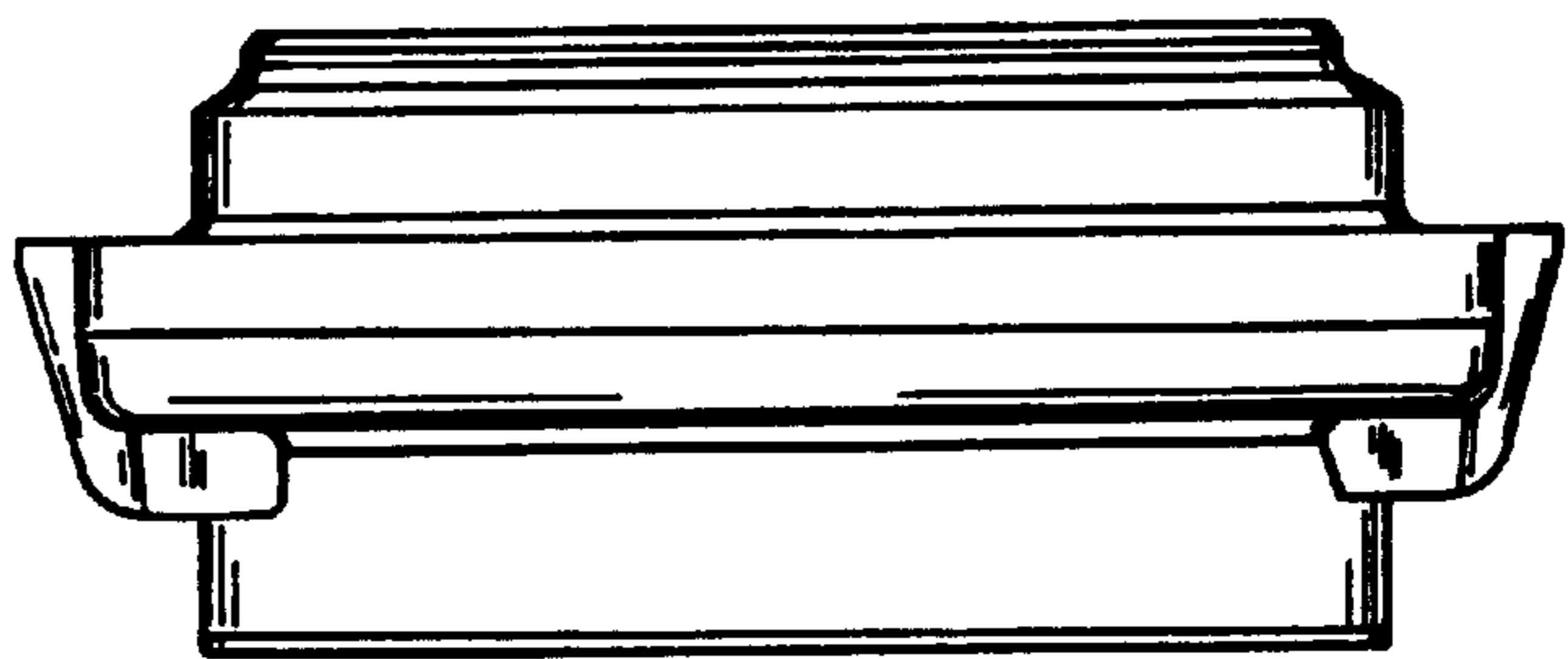
**FIG. 1**



**FIG. 5**



**FIG. 4**



**FIG. 6**