



US00D440580S

(12) **United States Design Patent**  
**Cooper et al.**

(10) **Patent No.:** **US D440,580 S**

(45) **Date of Patent:** **\*\* Apr. 17, 2001**

(54) **BLADE**

(75) Inventors: **Vincent P. Cooper**, Baltimore, MD  
(US); **Jacob R. Prosper**, Brockville  
(CA)

(73) Assignee: **Black & Decker, Inc.**, Newark, DE  
(US)

(\*\*) Term: **14 Years**

(21) Appl. No.: **29/109,393**

(22) Filed: **Aug. 13, 1999**

(51) **LOC (7) Cl.** ..... **15-03**

(52) **U.S. Cl.** ..... **D15/17**

(58) **Field of Search** ..... D15/17; D8/20,  
D8/70, 98; 56/17.5, 255, 295, 289, DIG. 17,  
DIG. 20, 503; 30/276, 347

(56) **References Cited**

**U.S. PATENT DOCUMENTS**

- D. 163,562 \* 6/1951 Bjork .
- D. 191,308 9/1961 Key .
- D. 268,641 4/1983 Bonforte .
- D. 347,150 5/1994 Falconbridge .

- D. 372,408 8/1996 Robbins .
- D. 389,382 1/1998 Houle .
- 3,022,621 \* 2/1962 Zavarella .
- 3,343,351 \* 9/1967 Freedlander et al. .
- 5,383,329 \* 1/1995 Cornell, III et al. .... 56/255
- 5,899,053 \* 5/1999 Roth ..... 56/255

\* cited by examiner

*Primary Examiner*—B. J. Bullock

(74) *Attorney, Agent, or Firm*—Ajay K. Gambhir

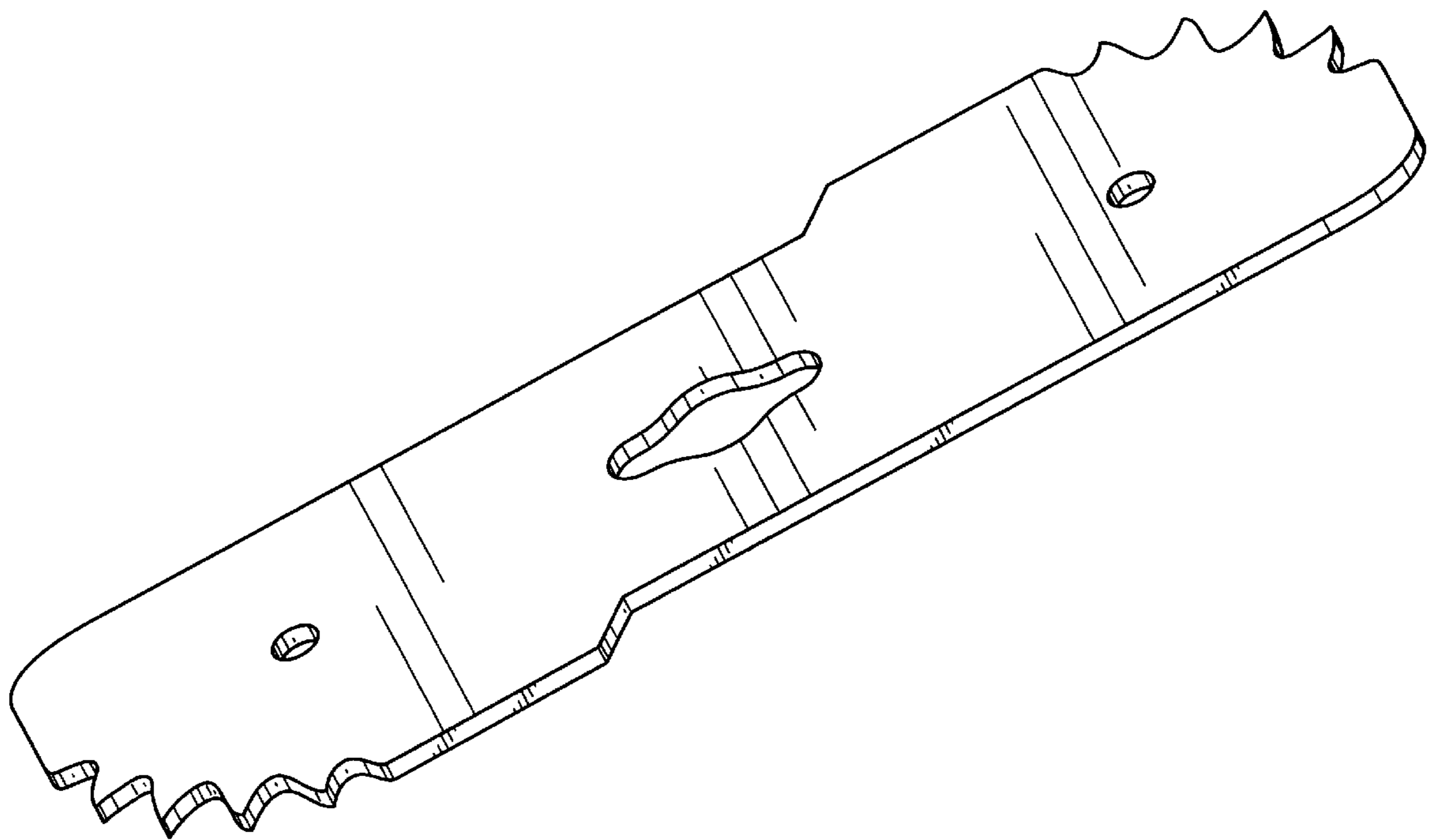
(57) **CLAIM**

The ornamental design for a blade, as shown and described.

**DESCRIPTION**

FIG. 1 is a perspective view of a blade taken from above and one side;  
 FIG. 2 is a top plan view thereof;  
 FIG. 3 is a bottom plan view thereof;  
 FIG. 4 is a side elevational view thereof, taken from the side opposite that illustrated in FIG. 1;  
 FIG. 5 is a side elevational view thereof, taken from the side illustrated in FIG. 1;  
 FIG. 6 is a rear elevational view thereof; and,  
 FIG. 7 is a front elevational view thereof.

**1 Claim, 5 Drawing Sheets**



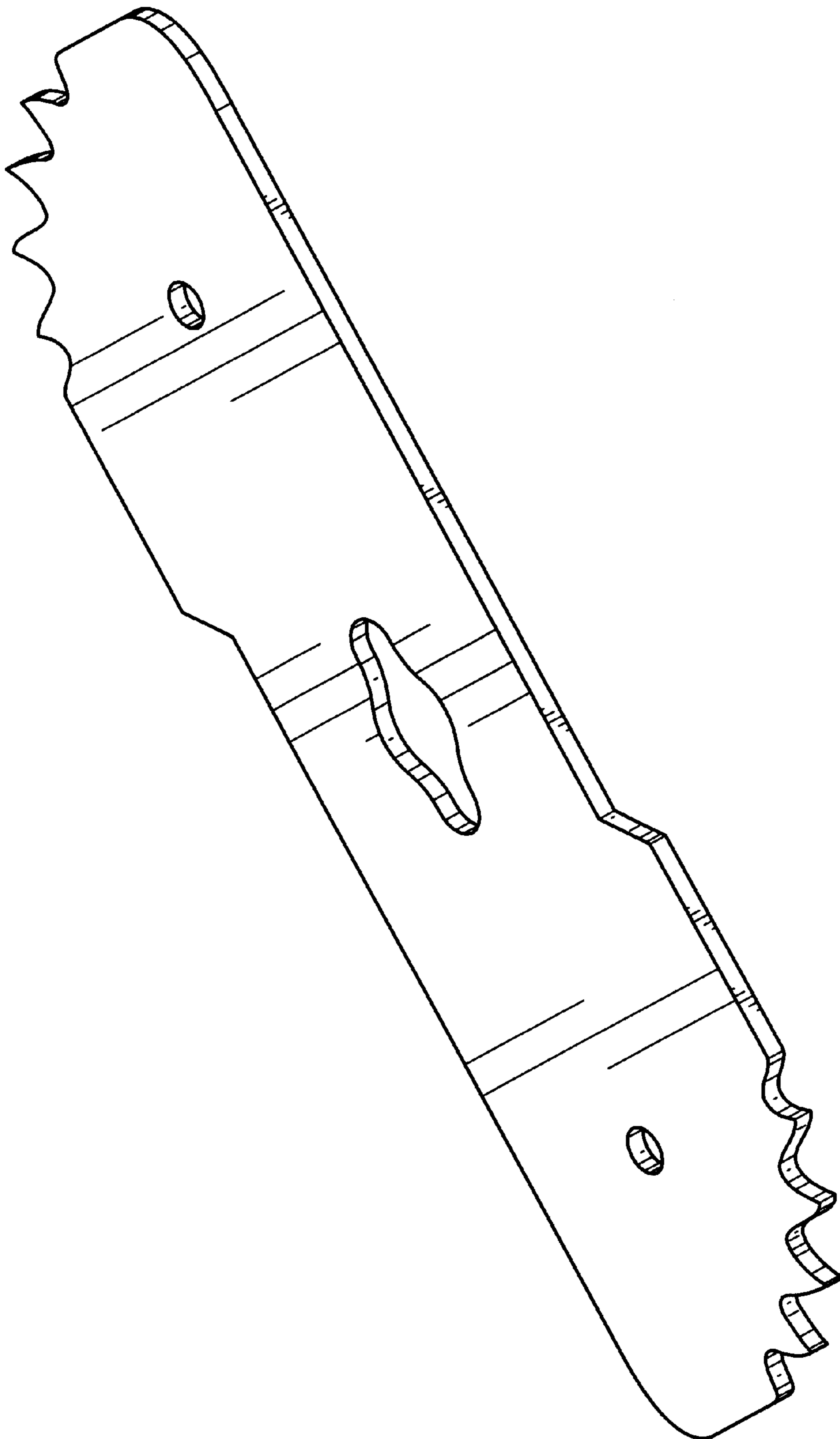


FIG. 1

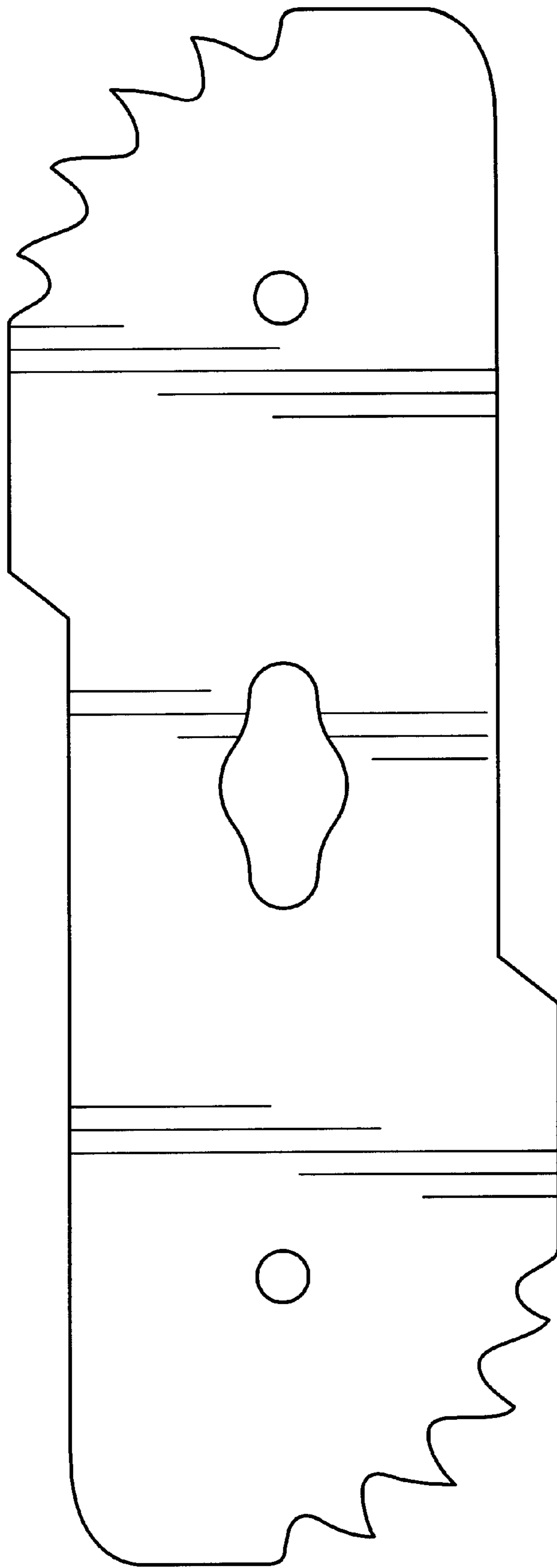


FIG. 2

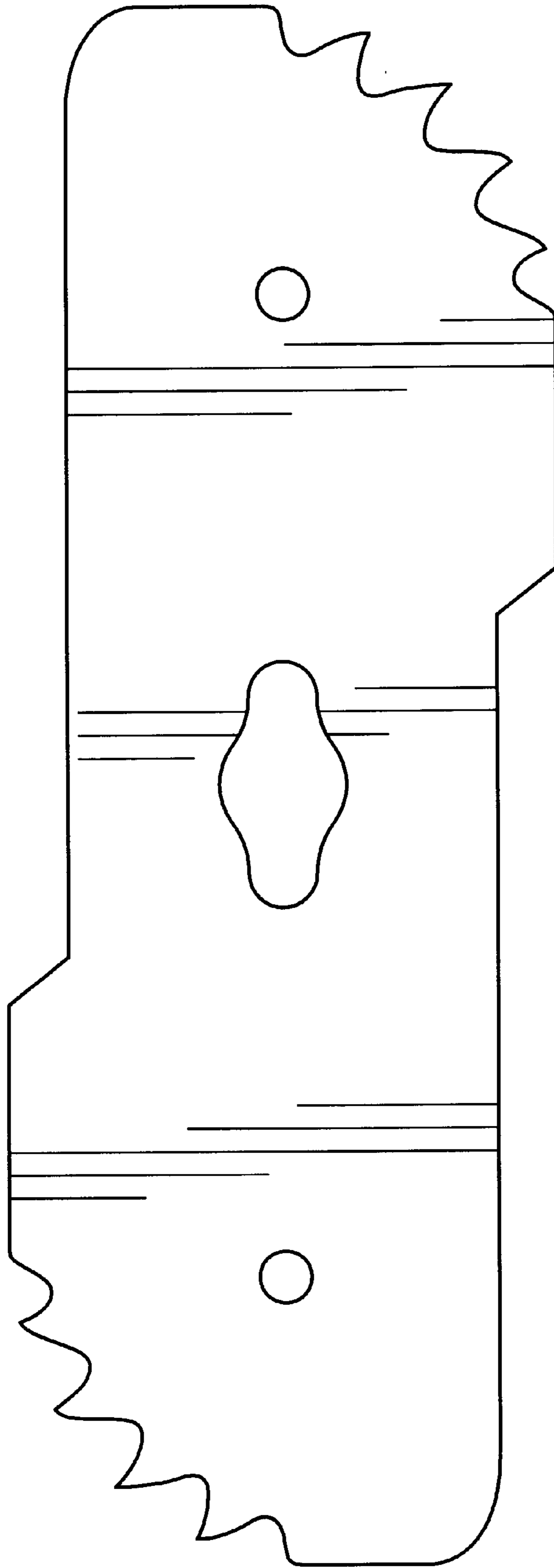


FIG. 3



FIG. 4



FIG. 5



FIG. 6



FIG. 7