



US00D440578S

(12) **United States Design Patent**
Nolan

(10) **Patent No.:** **US D440,578 S**

(45) **Date of Patent:** **** Apr. 17, 2001**

(54) **EXTERIOR SURFACE CONFIGURATION OF AN AIR COMPRESSOR COVER**

(75) Inventor: **Patrick B. Nolan**, Shelton, CT (US)

(73) Assignee: **Stanley Fastening Systems, LP**, East Greenwich, RI (US)

(**) Term: **14 Years**

(21) Appl. No.: **29/118,105**

(22) Filed: **Feb. 4, 2000**

(51) **LOC (7) Cl.** **15-02**

(52) **U.S. Cl.** **D15/9**

(58) **Field of Search** D15/1-9.2; D26/38; 417/234, 415; 415/201, 213.1, 800

(56) **References Cited**

U.S. PATENT DOCUMENTS

D. 54,619	3/1920	Hazard .	
D. 113,845	3/1939	Karstadt .	
D. 113,846	3/1939	Karstadt .	
D. 222,789	12/1971	Giacosa .	
D. 249,264	9/1978	Bingler .	
D. 314,773 *	2/1991	Tash et al.	D15/7
D. 328,305	7/1992	Wong .	
D. 367,280 *	2/1996	Richardson et al.	D15/9

D. 381,339 * 7/1997 Wightley D15/7

* cited by examiner

Primary Examiner—Ralf Seifert

(74) *Attorney, Agent, or Firm*—Pillsbury Winthrop LLP

(57) **CLAIM**

The ornamental design for an exterior surface configuration of an air compressor cover, as shown and described.

DESCRIPTION

FIG. 1 is a perspective view of the exterior surface configuration of an air compressor cover, looking down at the top and right side thereof, the other components of a power operated air compressor assembly in which the cover is embodied being shown in phantom lines;

FIG. 2 is an another perspective view looking down on the top and left side thereof without the phantom line showing;

FIG. 3 is a front elevational view thereof;

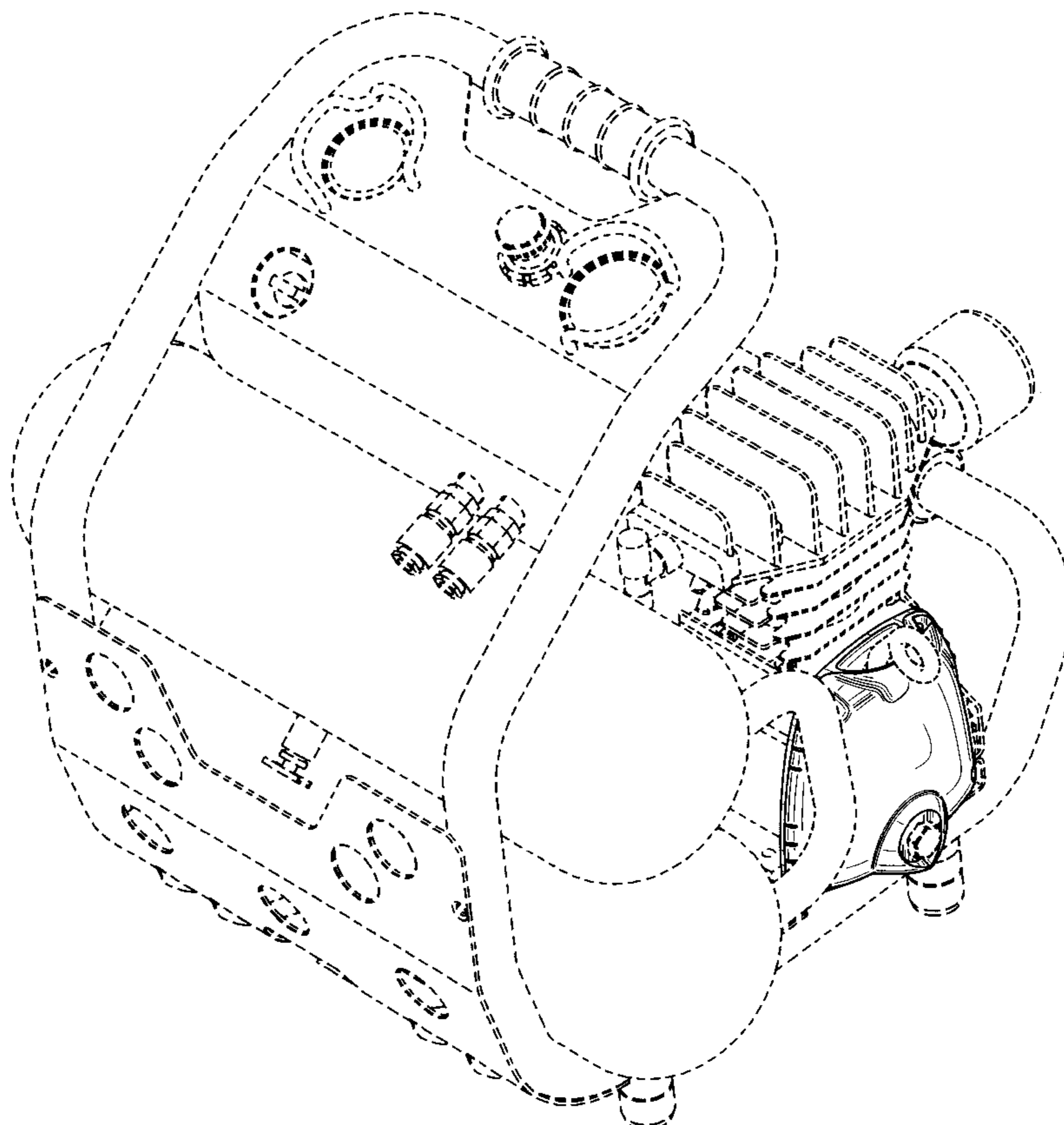
FIG. 4 is a left side elevational view thereof, the right side elevational view being a mirror image thereof;

FIG. 5 is a top plan view thereof; and,

FIG. 6 is a bottom plan view thereof.

It being understood that the broken lines are for illustrative purposes only.

1 Claim, 5 Drawing Sheets



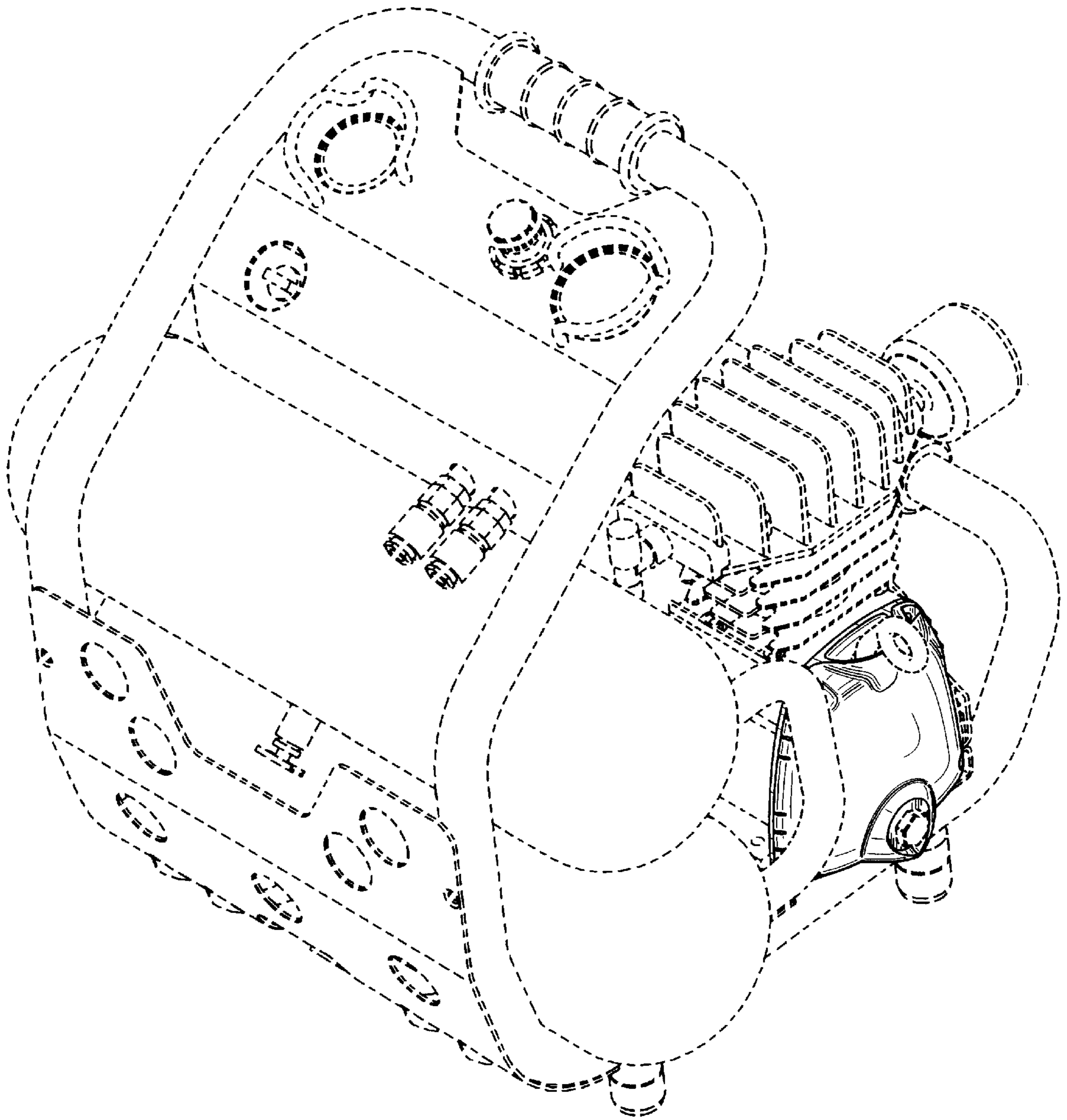


FIG. 1

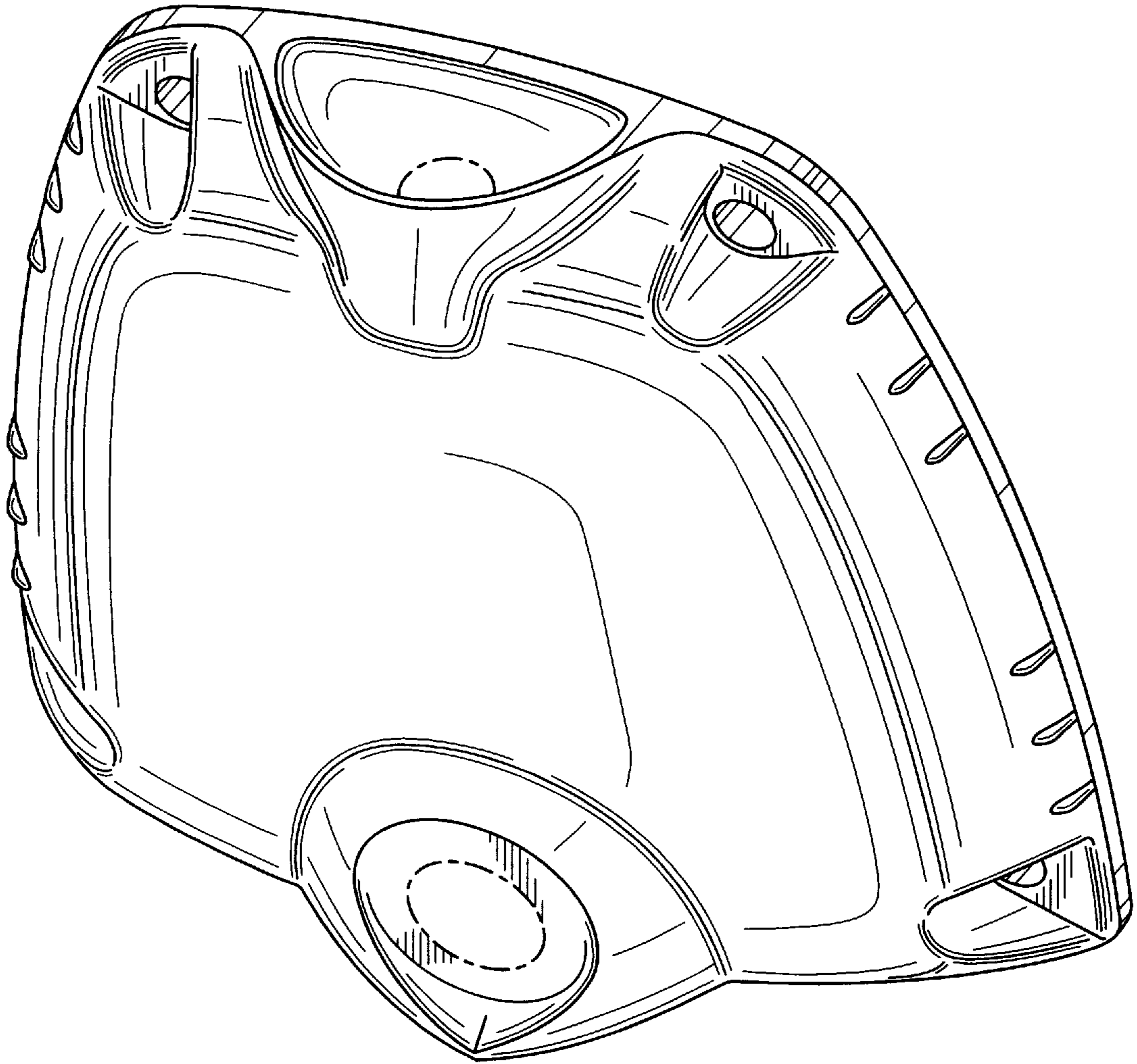


FIG. 2

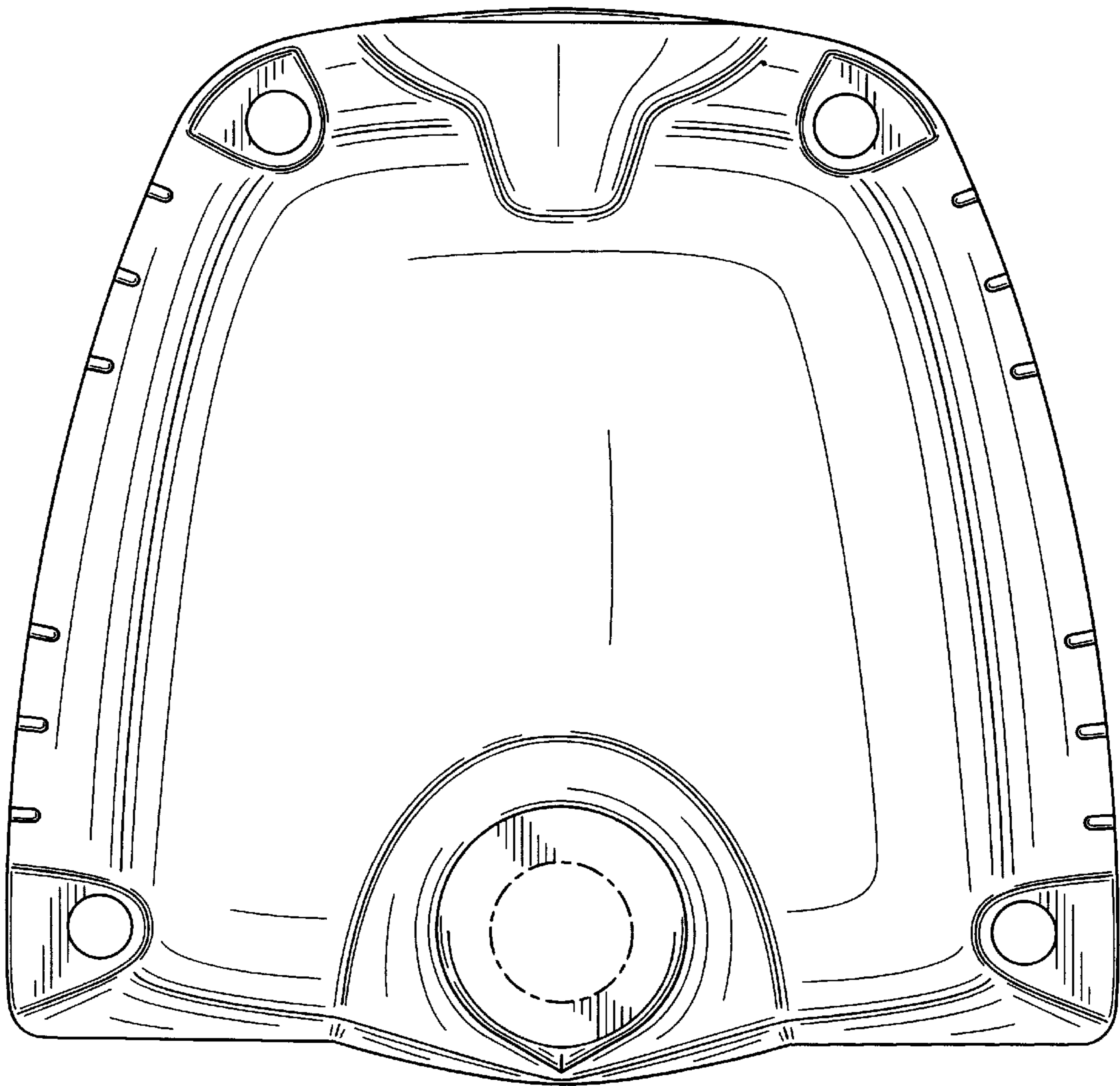


FIG. 3

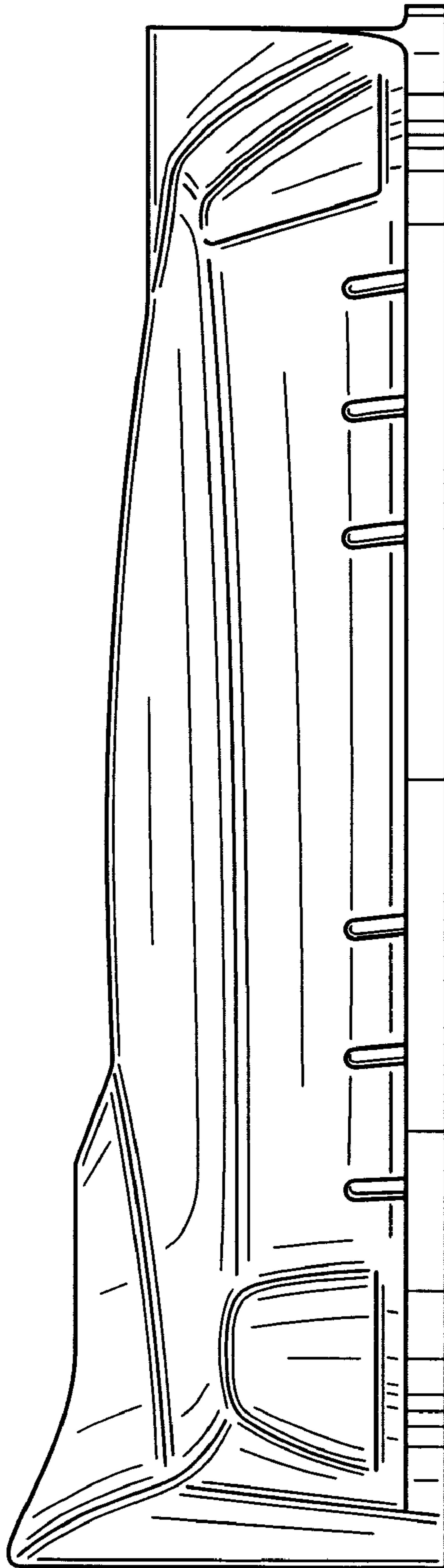


FIG. 4

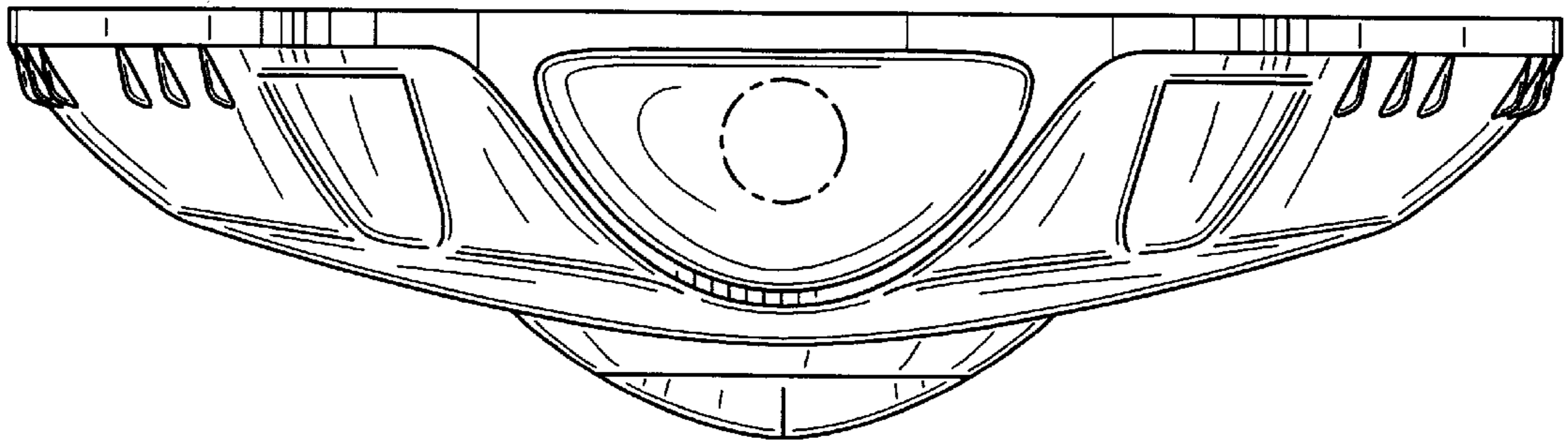


FIG. 5

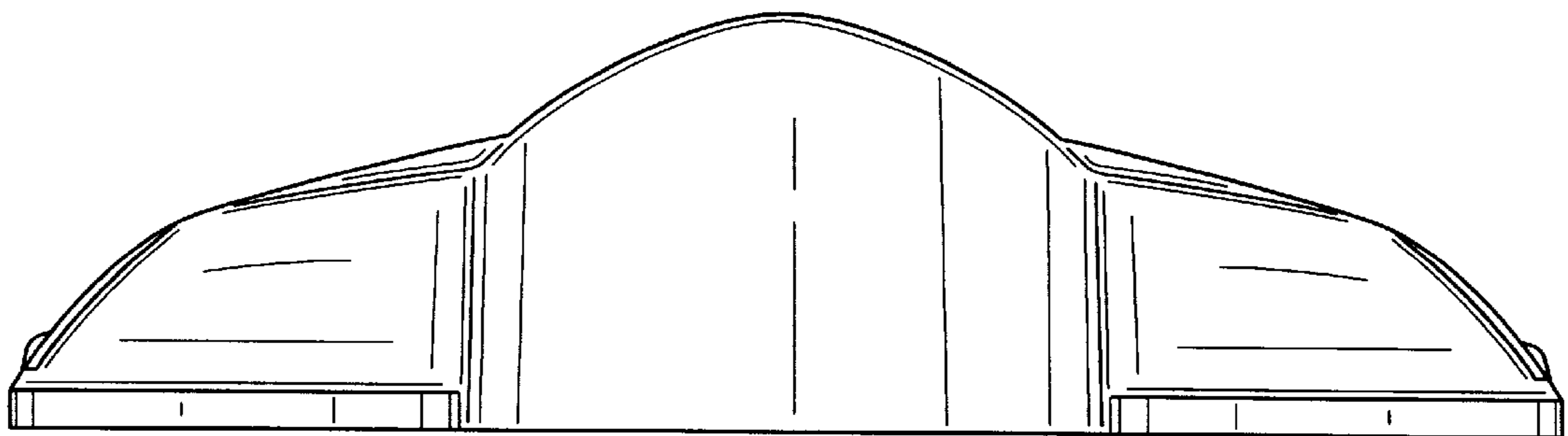


FIG. 6