



US00D440573S

(12) **United States Design Patent**  
**Knaub et al.**

(10) **Patent No.:** **US D440,573 S**

(45) **Date of Patent:** **\*\* Apr. 17, 2001**

(54) **CLAMP FOR ATTACHING A COMPUTER GAME CONTROLLER TO A DESKTOP**

(75) Inventors: **David R. Knaub; Philip A. Frank; Jason E. Denner**, all of Portland; **Michael D. Holloway**, Beaverton, all of OR (US)

(73) Assignee: **Guillemot Corporation (FR)**

(\*\*) Term: **14 Years**

(21) Appl. No.: **29/088,527**

(22) Filed: **May 26, 1998**

(51) **LOC (7) Cl.** ..... **14-02**

(52) **U.S. Cl.** ..... **D14/454; D14/457**

(58) **Field of Search** ..... D14/114, 117.1, D14/454, 457; D8/349, 382, 394, 373; 24/516

(56) **References Cited**

**U.S. PATENT DOCUMENTS**

- D. 347,841 \* 6/1994 Rossman et al. .... D14/114
- D. 367,477 \* 2/1996 Rosen ..... D14/114
- D. 415,410 \* 10/1999 An et al. .... D8/394

**OTHER PUBLICATIONS**

Formula T2 product marketing flyer, Feb. 1995, Thrustmaster, Inc., Hillsboro, Oregon.

Grand Prix 1 Racing Wheel product marketing flyer, Jun. 1996, Thrustmaster, Inc., Hillsboro, Oregon.

\* cited by examiner

*Primary Examiner*—Kay H. Chin

(74) *Attorney, Agent, or Firm*—Marger Johnson & McCollom

(57) **CLAIM**

The ornamental design for a clamp for attaching a computer game controller to a desktop, as shown and described.

**DESCRIPTION**

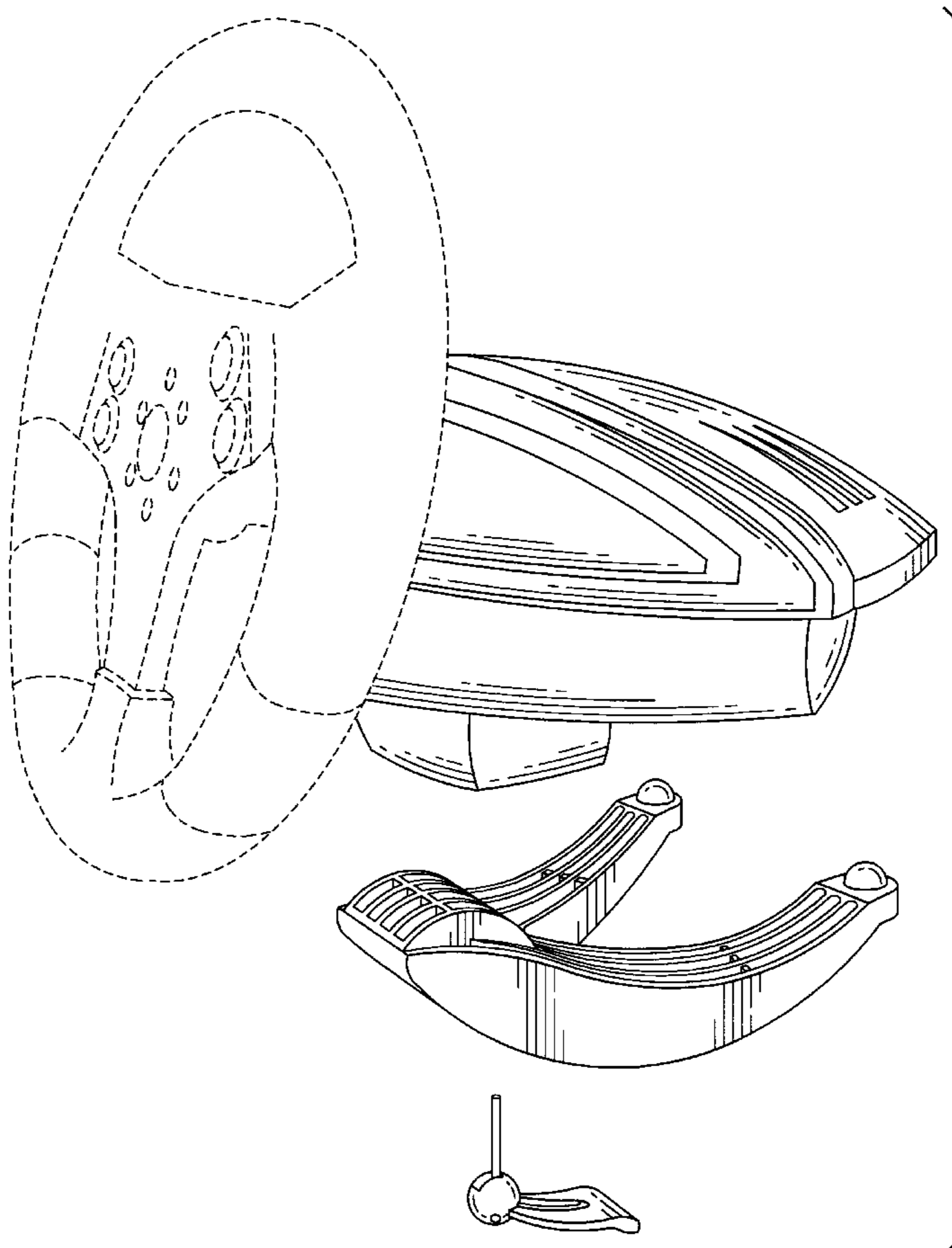
FIG. 1 is an exploded right side perspective view of a clamp for attaching a computer game controller to a desktop showing my new design, the broken lines illustration of a steering wheel form no part of the claimed design;

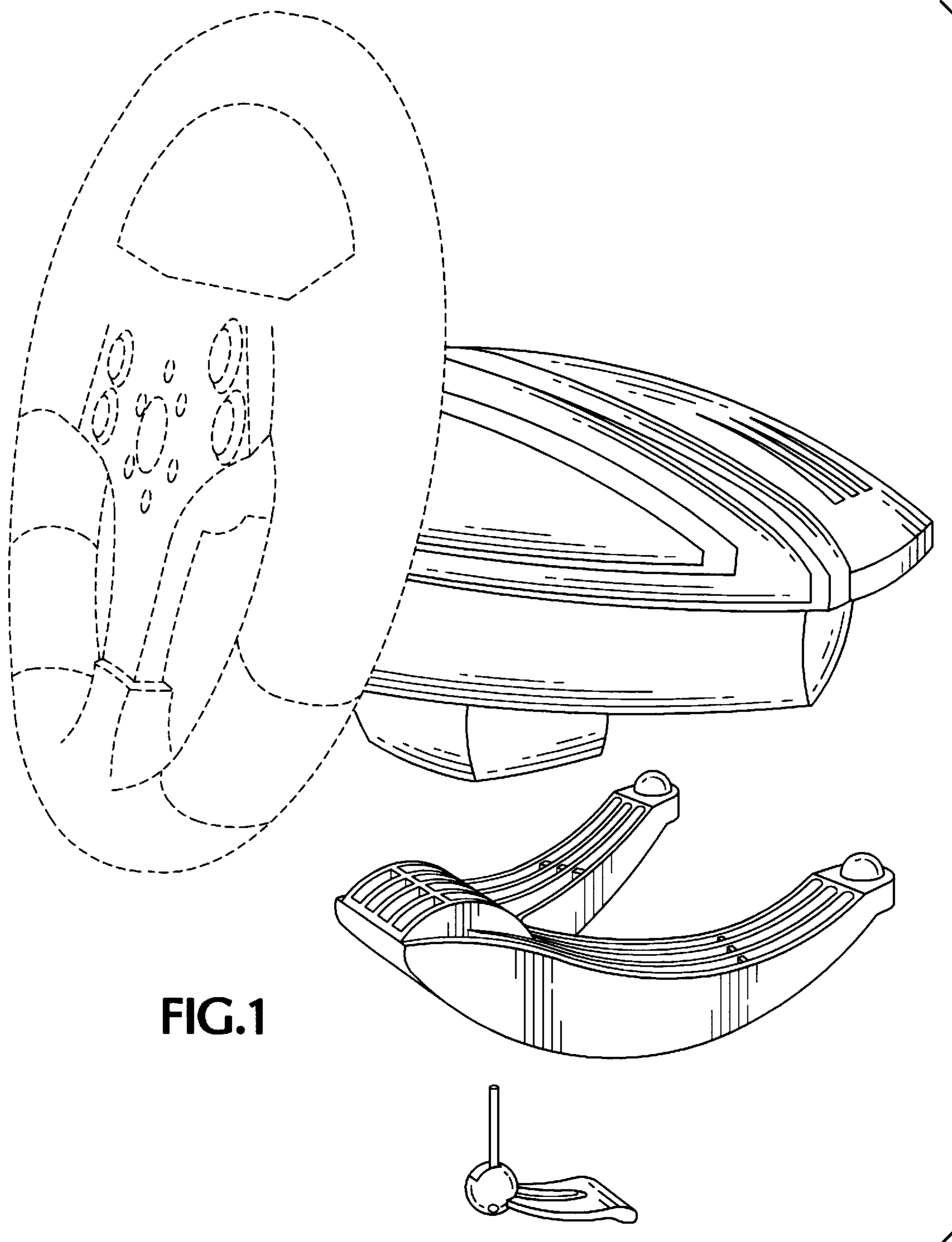
FIG. 2 is a rear perspective view thereof;

FIG. 3 is an enlarged rear perspective view of the clamp arm thereof; and,

FIG. 4 is an enlarged top perspective view of the clamp handle thereof.

**1 Claim, 3 Drawing Sheets**





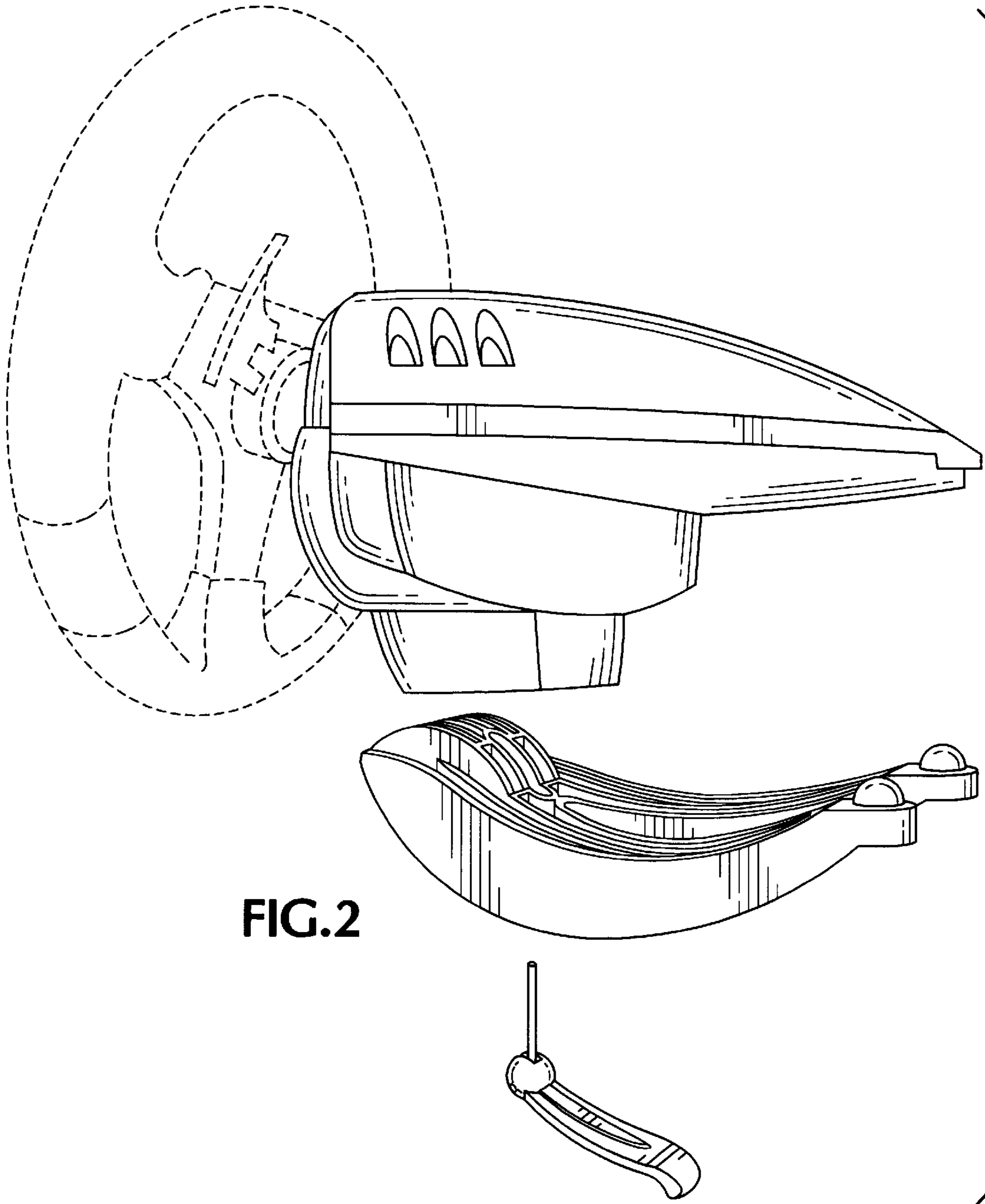


FIG. 2

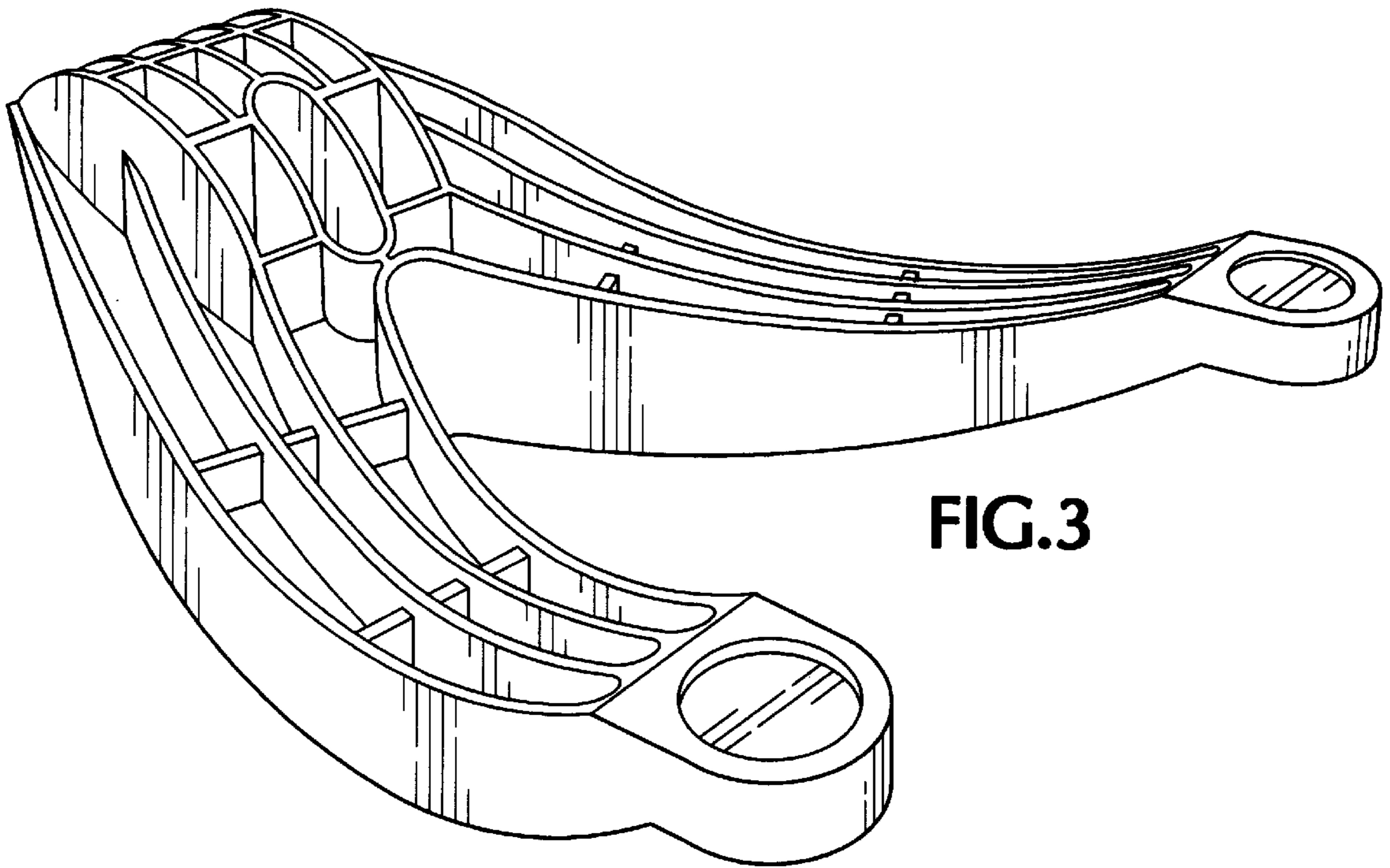


FIG.3

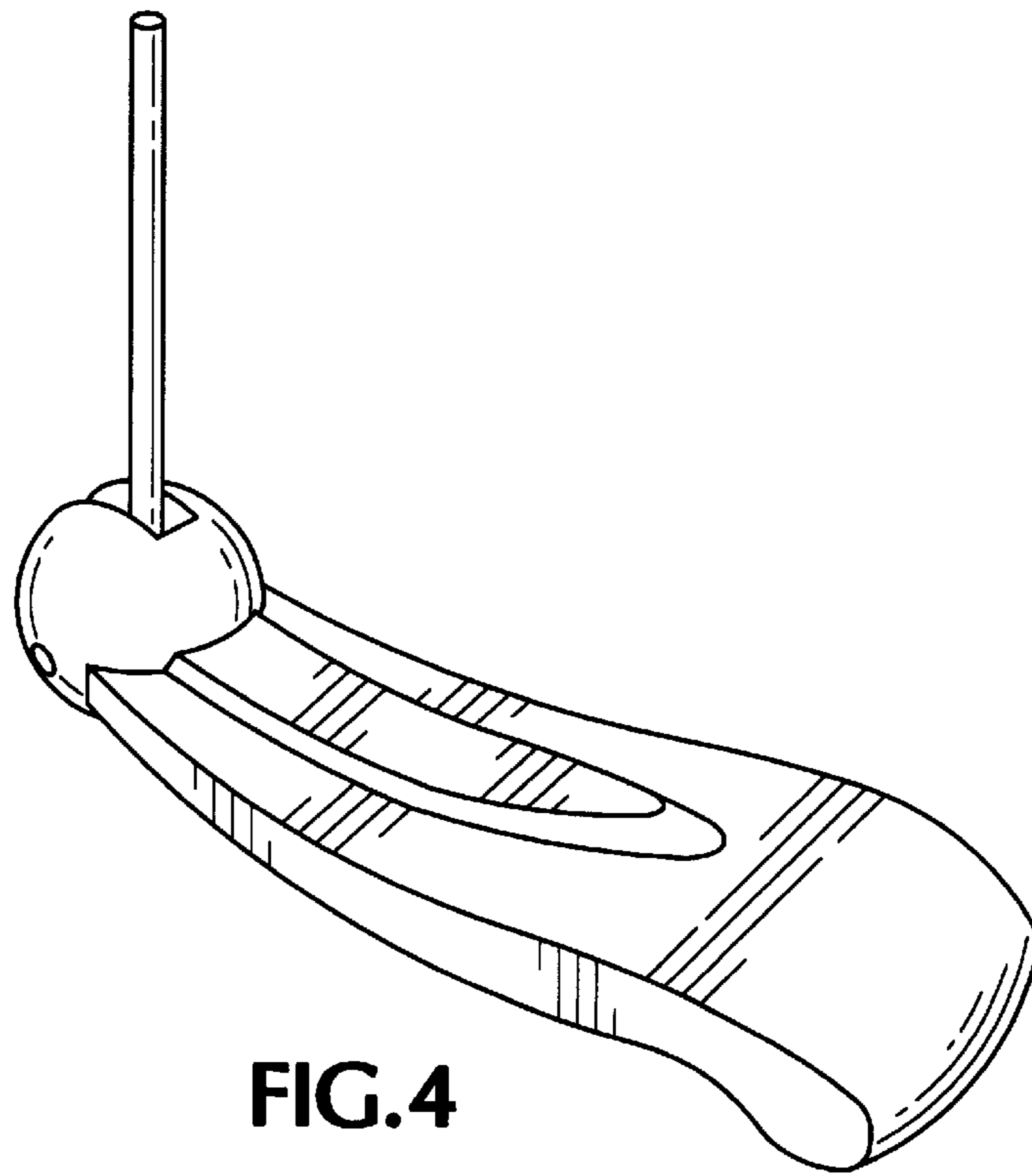


FIG.4