



US00D440572S

(12) **United States Design Patent**
Jean et al.

(10) **Patent No.:** **US D440,572 S**

(45) **Date of Patent:** **** Apr. 17, 2001**

(54) **COMPUTER FRONT BEZEL**

(75) Inventors: **Paul Jean**, Taipei; **Ko Chien Kan**,
Tau-Yuan; **Ying Sheng Yeh**, Taipei, all
of (TW)

(73) Assignee: **Hon Hai Precision Ind. Co., Ltd.**,
Taipei Hsien (TW)

(**) Term: **14 Years**

(21) Appl. No.: **29/126,027**

(22) Filed: **Jul. 7, 2000**

(30) **Foreign Application Priority Data**

May 23, 2000 (TW) 89303464

(51) **LOC (7) Cl.** **14-02**

(52) **U.S. Cl.** **D14/445**

(58) **Field of Search** D14/441-446,
D14/257, 258; D13/162, 184, 199, 164,
177; 312/223.2; 361/690-696

(56) **References Cited**

U.S. PATENT DOCUMENTS

D. 314,568 * 2/1991 Martin D14/445

D. 363,477 * 10/1995 Tinsley, Jr. et al. D14/445

D. 374,439 * 10/1996 Paterson et al. D14/444

D. 408,386 * 4/1999 Yeh et al. D14/445

* cited by examiner

Primary Examiner—Freda Nunn

(74) *Attorney, Agent, or Firm*—Wei Te Chung

(57) **CLAIM**

The ornamental design for computer front bezel, as shown
and described.

DESCRIPTION

FIG. 1 is a perspective view of a computer front bezel
showing our new design;

FIG. 2 is a front elevational view thereof;

FIG. 3 is a rear elevational view thereof;

FIG. 4 is a left side elevational view thereof;

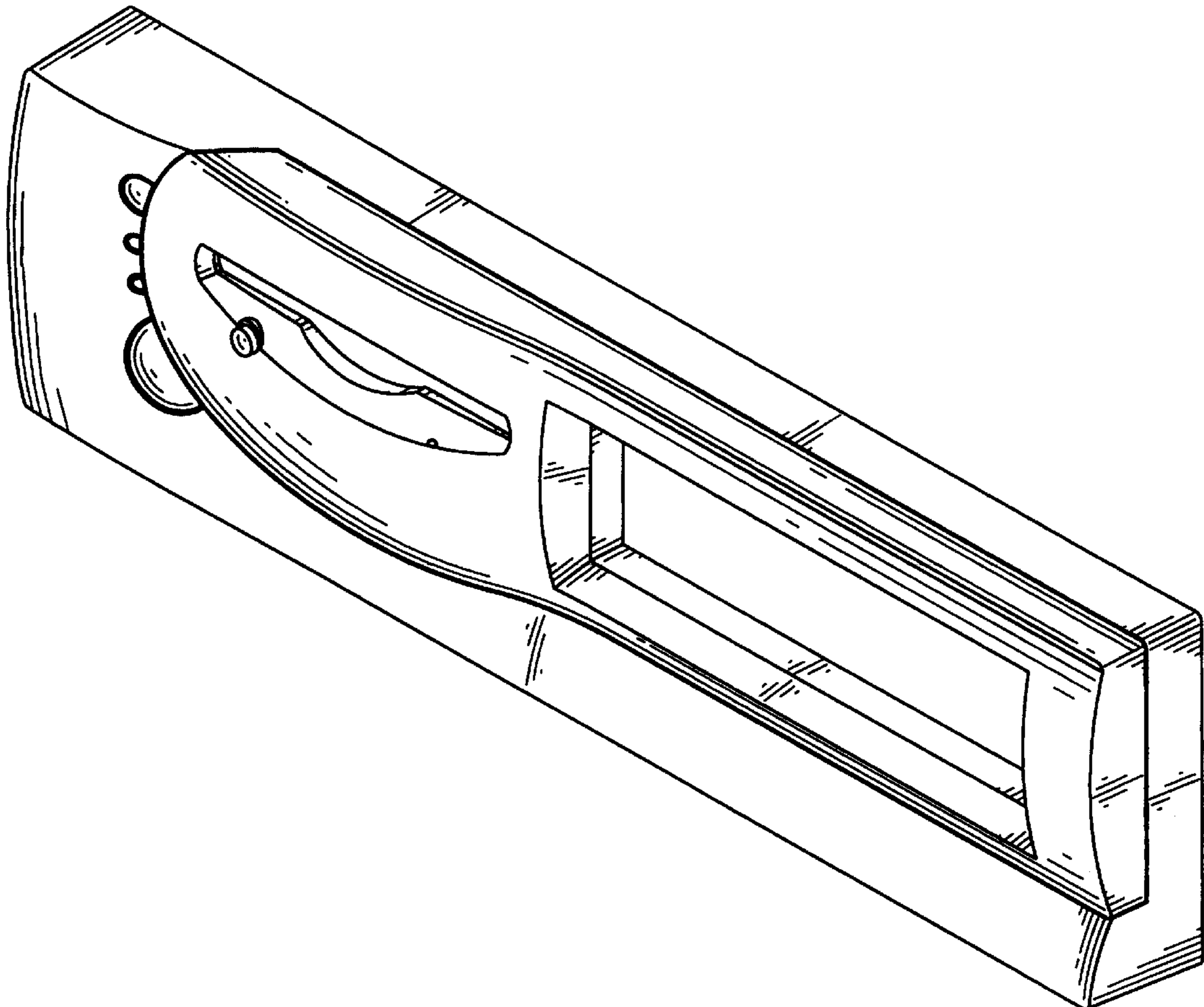
FIG. 5 is a right side elevational view thereof;

FIG. 6 is a top plan view thereof;

FIG. 7 is a bottom plan view thereof; and,

FIG. 8 is a perspective view thereof being mounted to a
computer case which is shown in broken lines for illustrative
purposes only and forms no part of the claimed design.

1 Claim, 6 Drawing Sheets



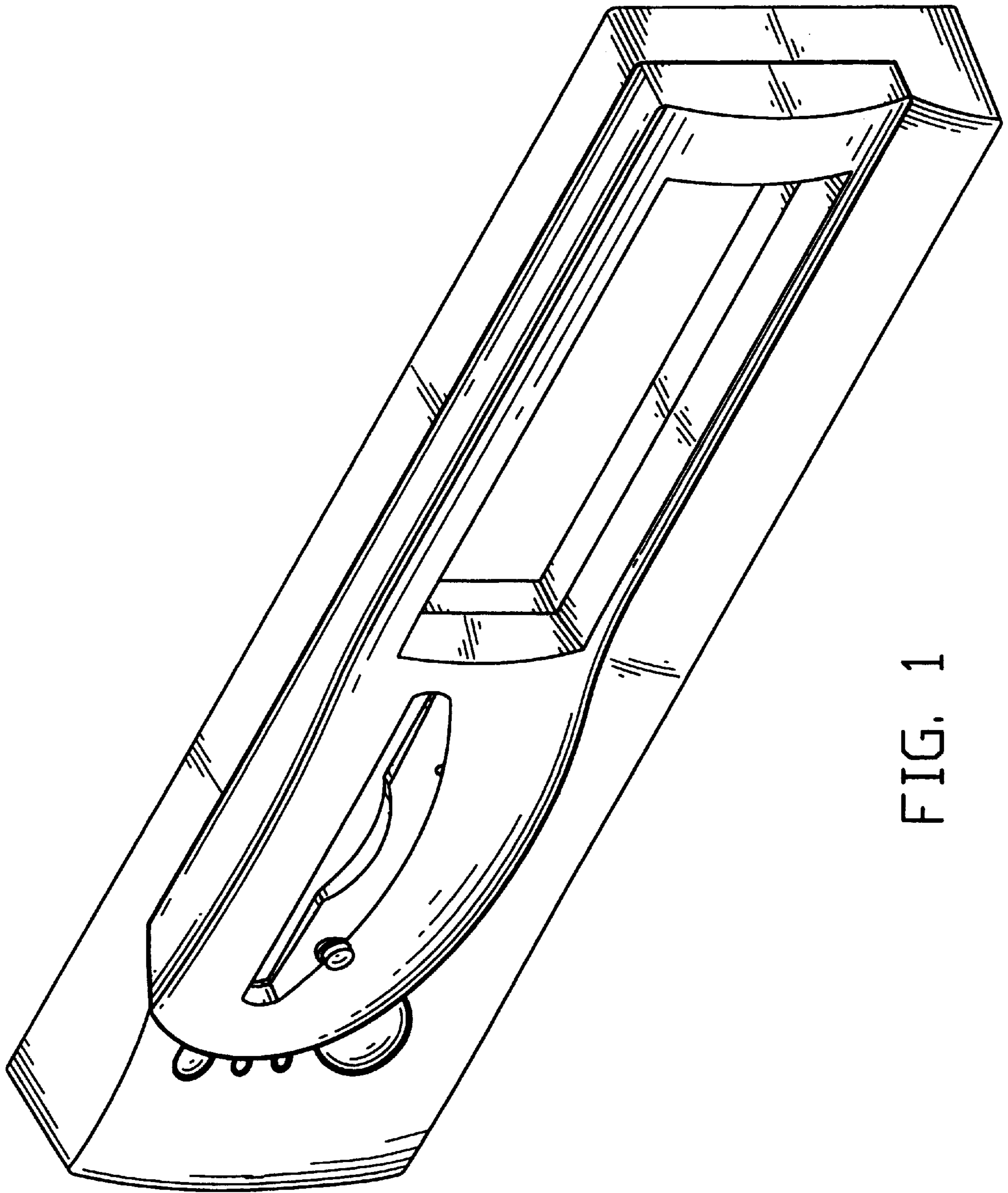


FIG. 1

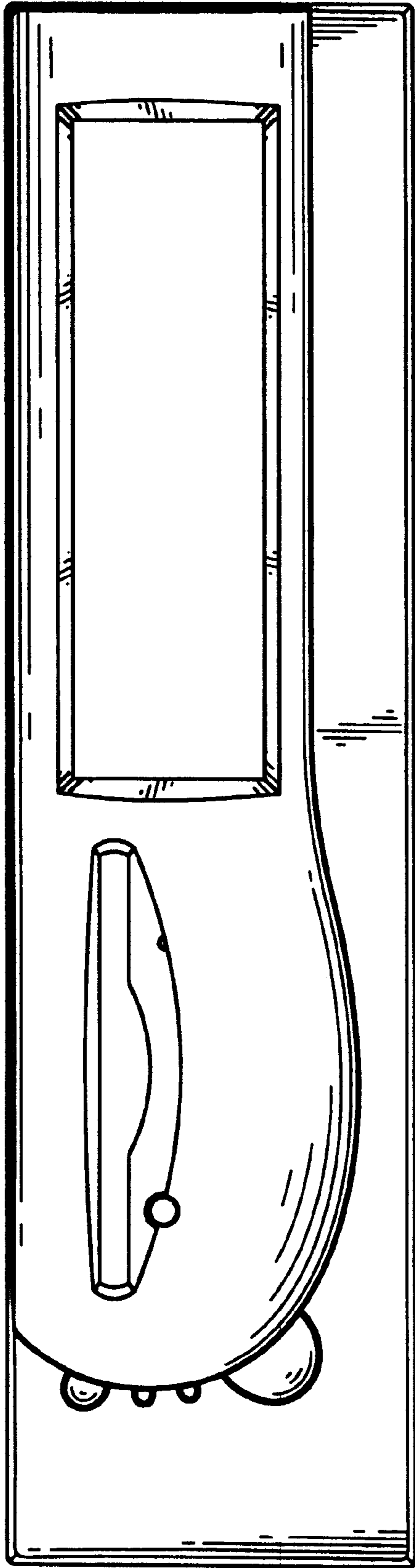


FIG. 2

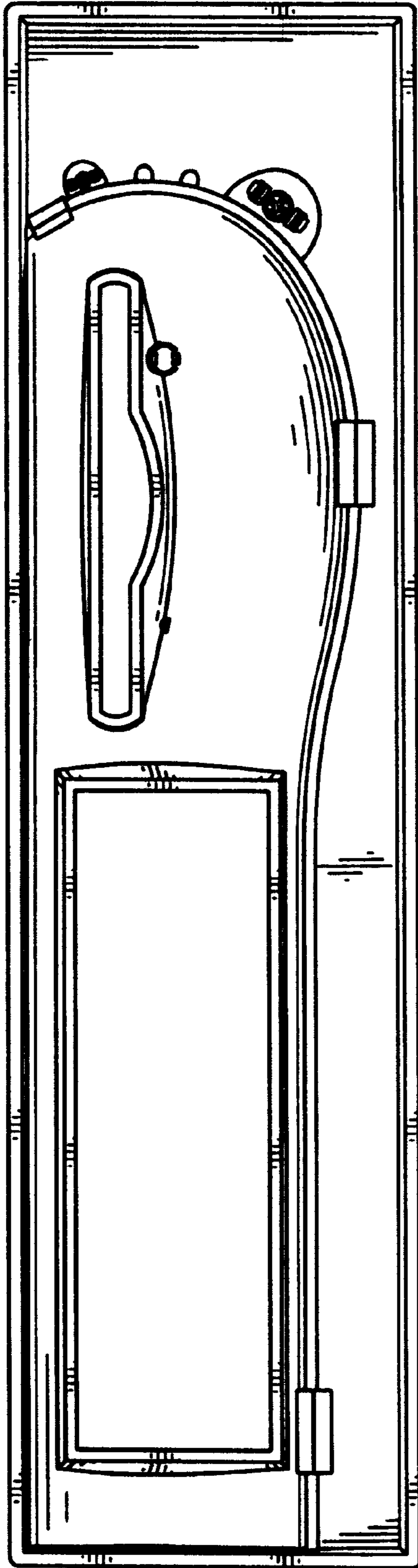


FIG. 3

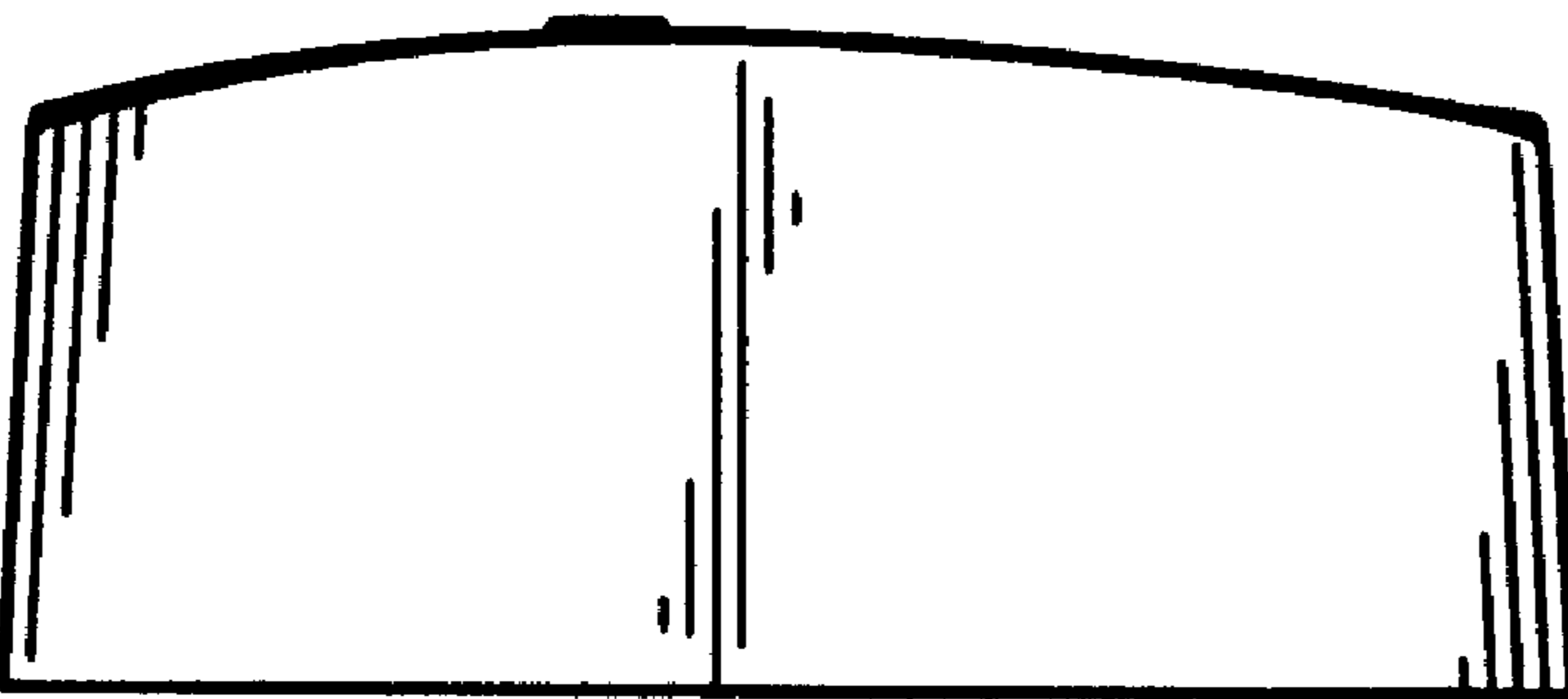


FIG. 4



FIG. 5

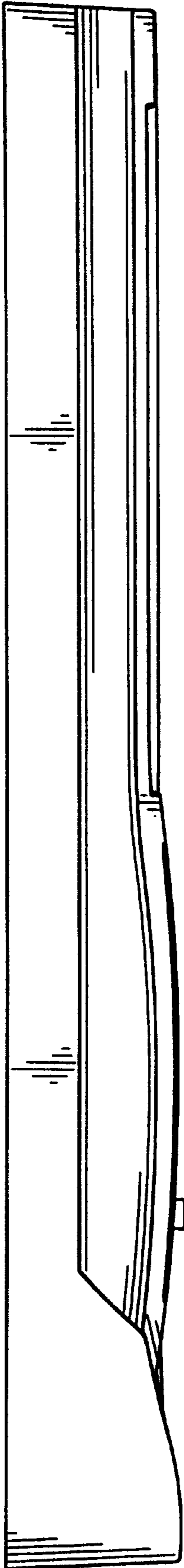


FIG. 6

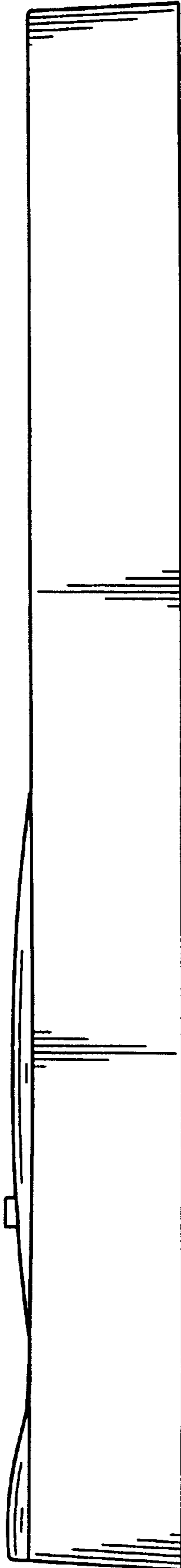


FIG. 7

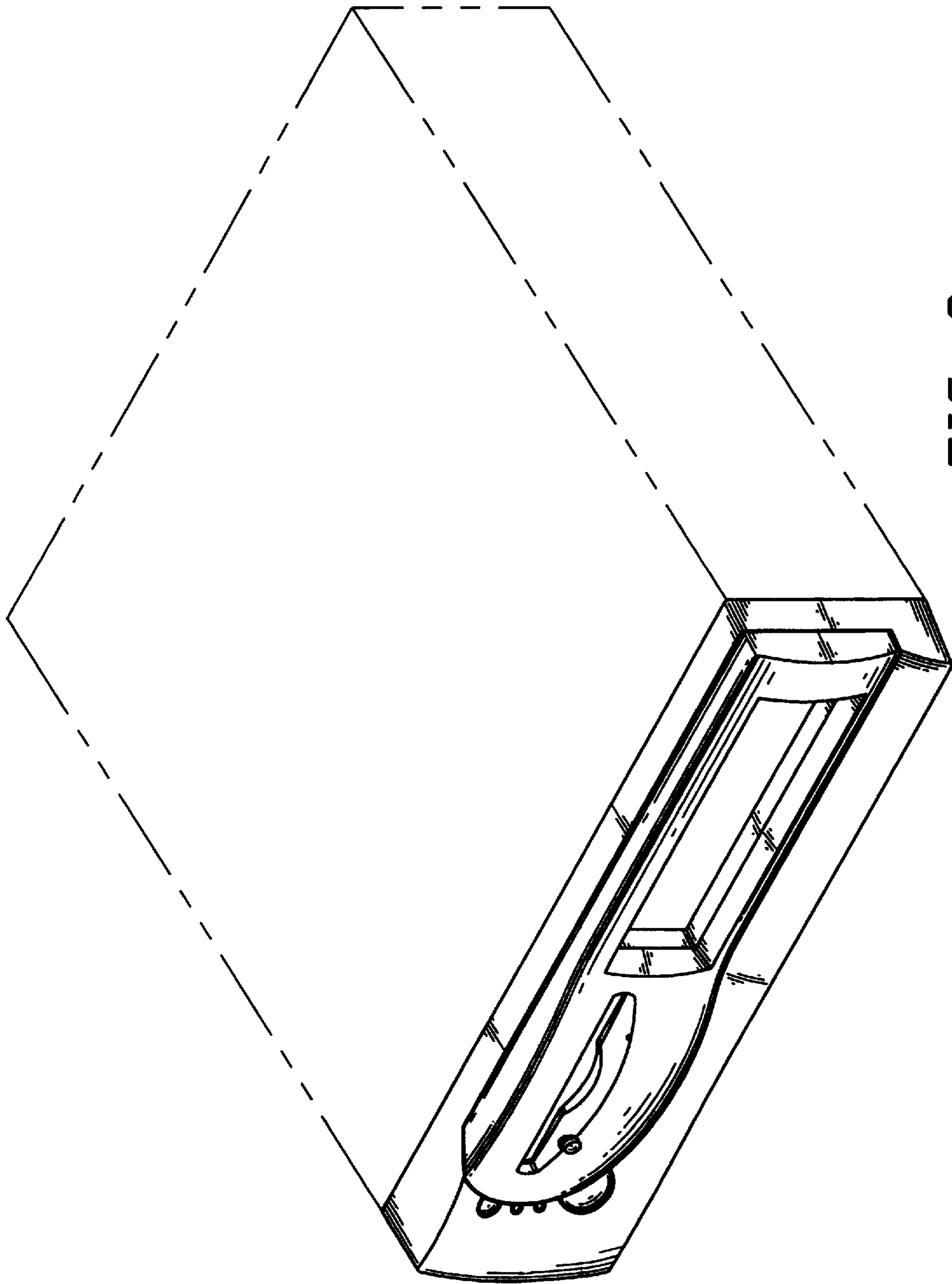


FIG. 8