



US00D440570S

(12) **United States Design Patent**
Schneider

(10) **Patent No.:** **US D440,570 S**

(45) **Date of Patent:** **** Apr. 17, 2001**

(54) **ADJUSTABLE FINGER STYLUS**

(76) **Inventor:** **Marc Lawrence Schneider**, 14 Davey Dr., West Orange, NJ (US) 07052

(**) **Term:** **14 Years**

(21) **Appl. No.:** **29/127,230**

(22) **Filed:** **Aug. 3, 2000**

(51) **LOC (7) Cl.** **14-02**

(52) **U.S. Cl.** **D14/411; D19/41; D19/36**

(58) **Field of Search** **D14/411, 342; D19/35, 36, 41-51, 53-58, 81-85; 401/6, 7, 8, 209; 345/156, 158, 179-183; 178/19.01-19.07**

(56) **References Cited**

U.S. PATENT DOCUMENTS

- D. 212,981 * 12/1968 Laybourne D19/41
- D. 217,745 * 6/1970 Silson D19/41
- D. 246,904 * 1/1978 MacIntosh D19/41
- D. 253,416 * 11/1979 MacIntosh D19/41

- D. 418,484 * 1/2000 Kane D13/182
- 2,921,590 * 1/1960 Holton 401/8
- 4,738,556 * 4/1988 Brown 401/7
- 5,453,759 * 9/1995 Seebach 345/158
- 5,885,018 * 3/1999 Sato 401/8

* cited by examiner

Primary Examiner—Martia Thompson

(57) **CLAIM**

The ornamental design for an adjustable finger stylus, as shown and described.

DESCRIPTION

FIG. 1 is a perspective side view of an adjustable finger stylus showing my new design;
 FIG. 2 is a side view thereof;
 FIG. 3 is a rear perspective view thereof;
 FIG. 4 is a bottom view thereof; and,
 FIG. 5 is a front view thereof.

1 Claim, 2 Drawing Sheets

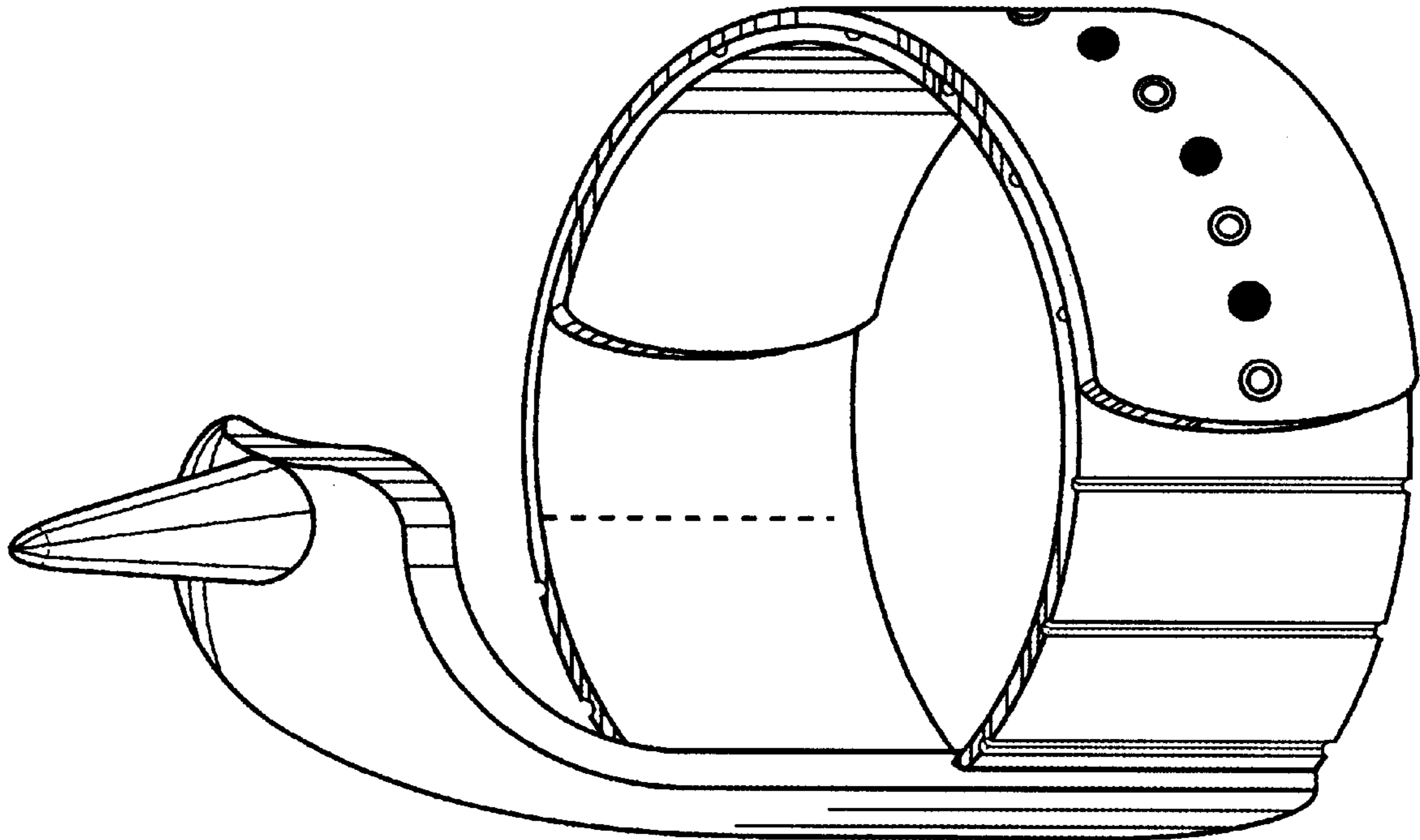


Fig. 1

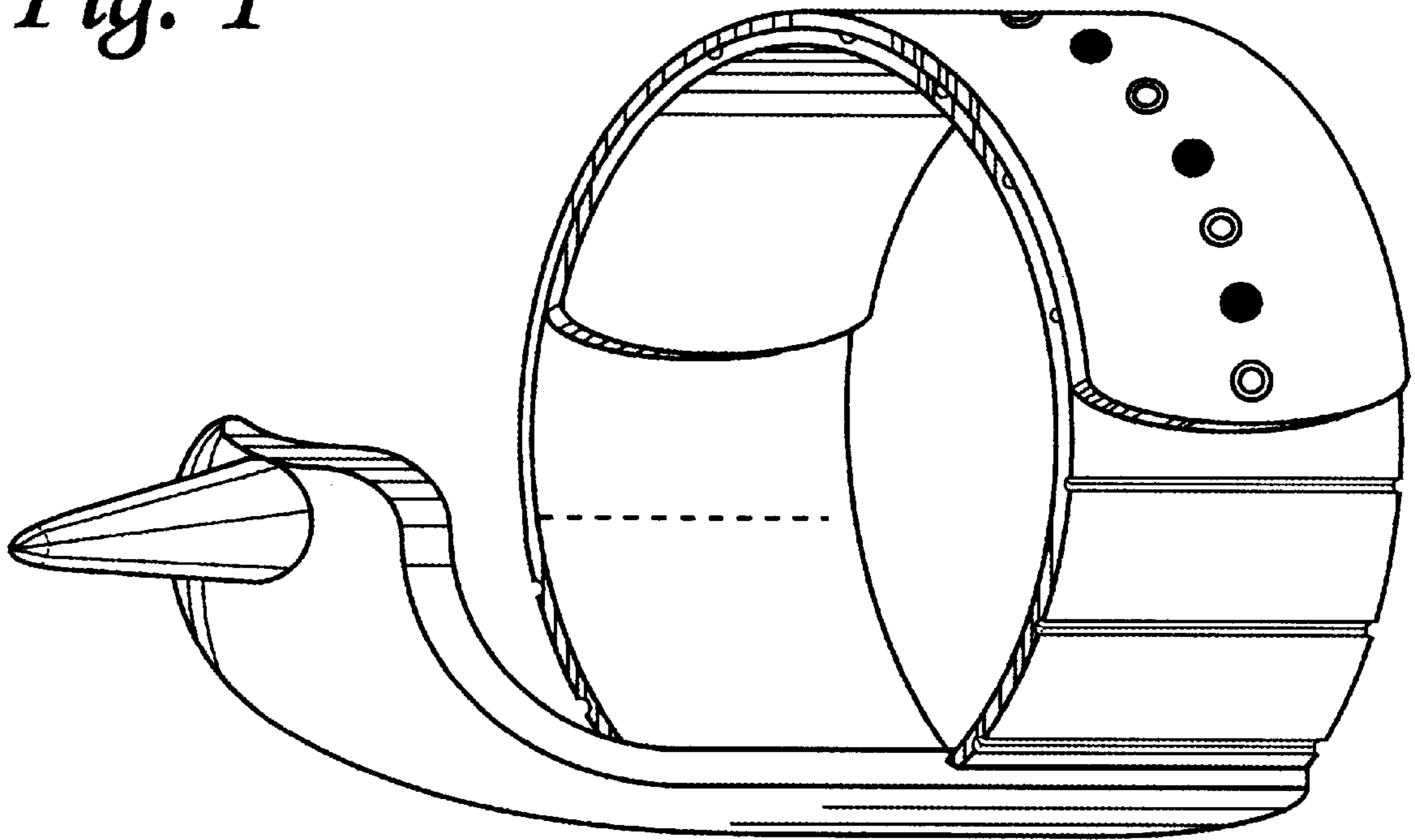


Fig. 2

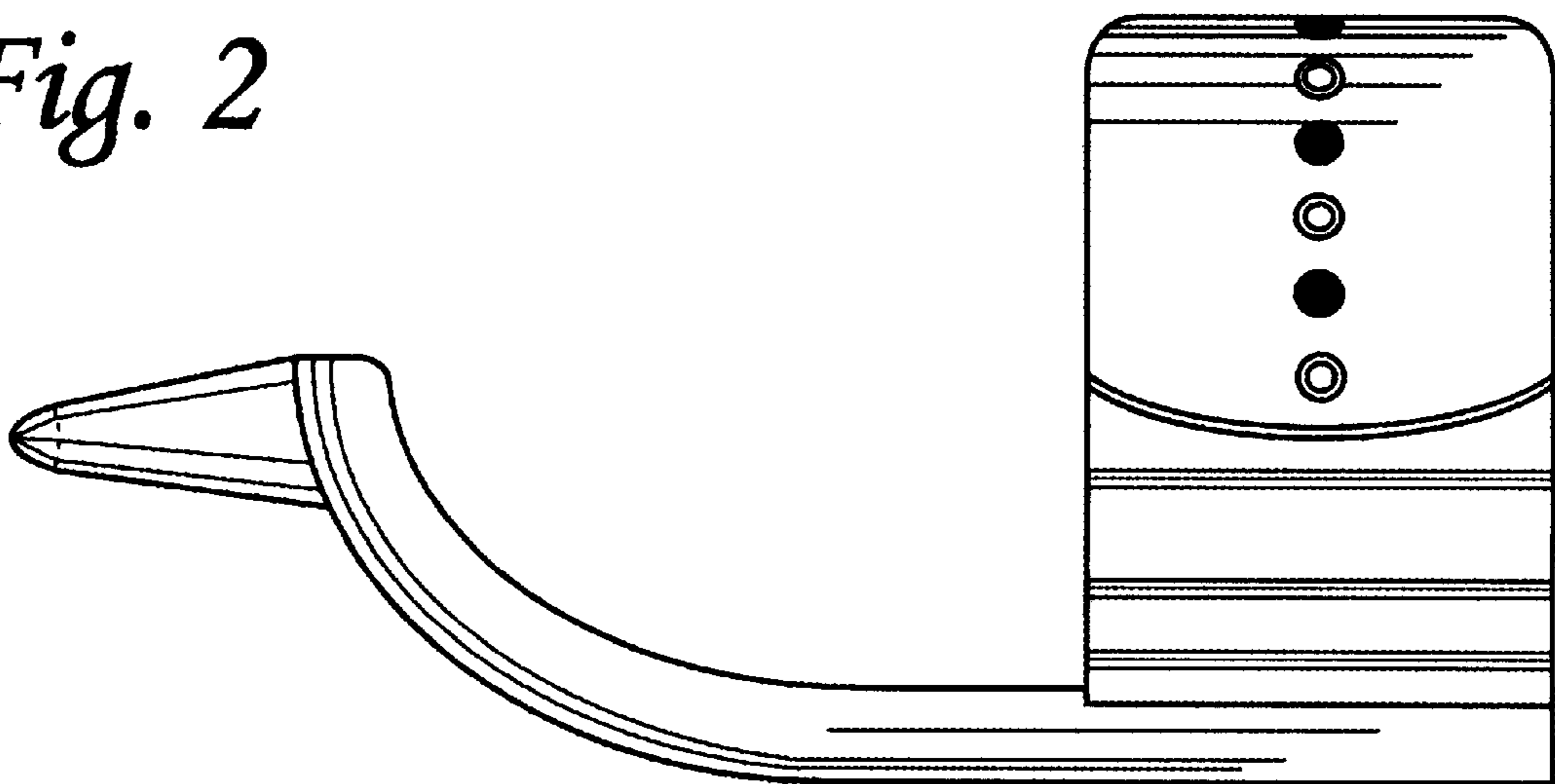


Fig. 3

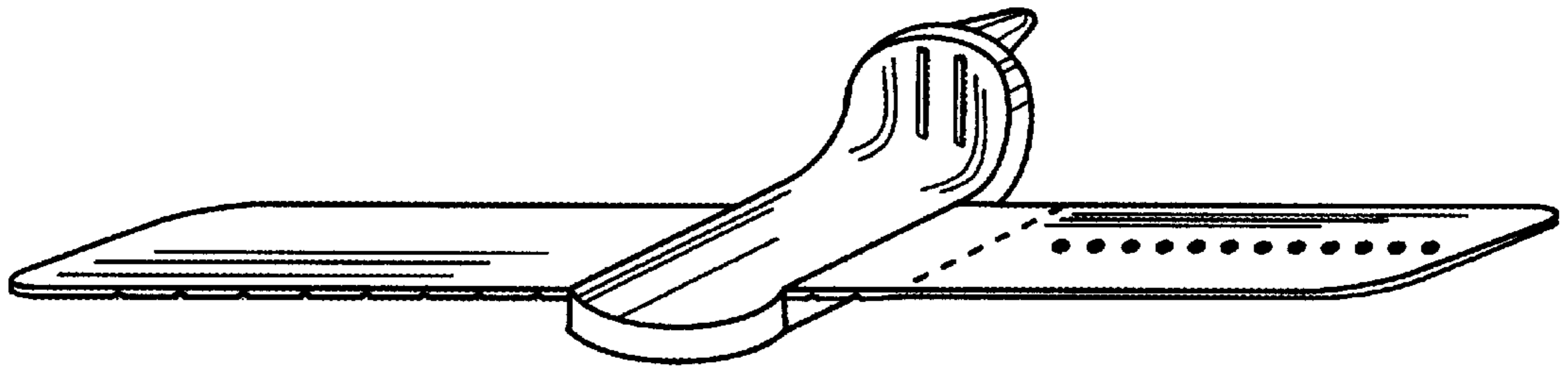


Fig. 4

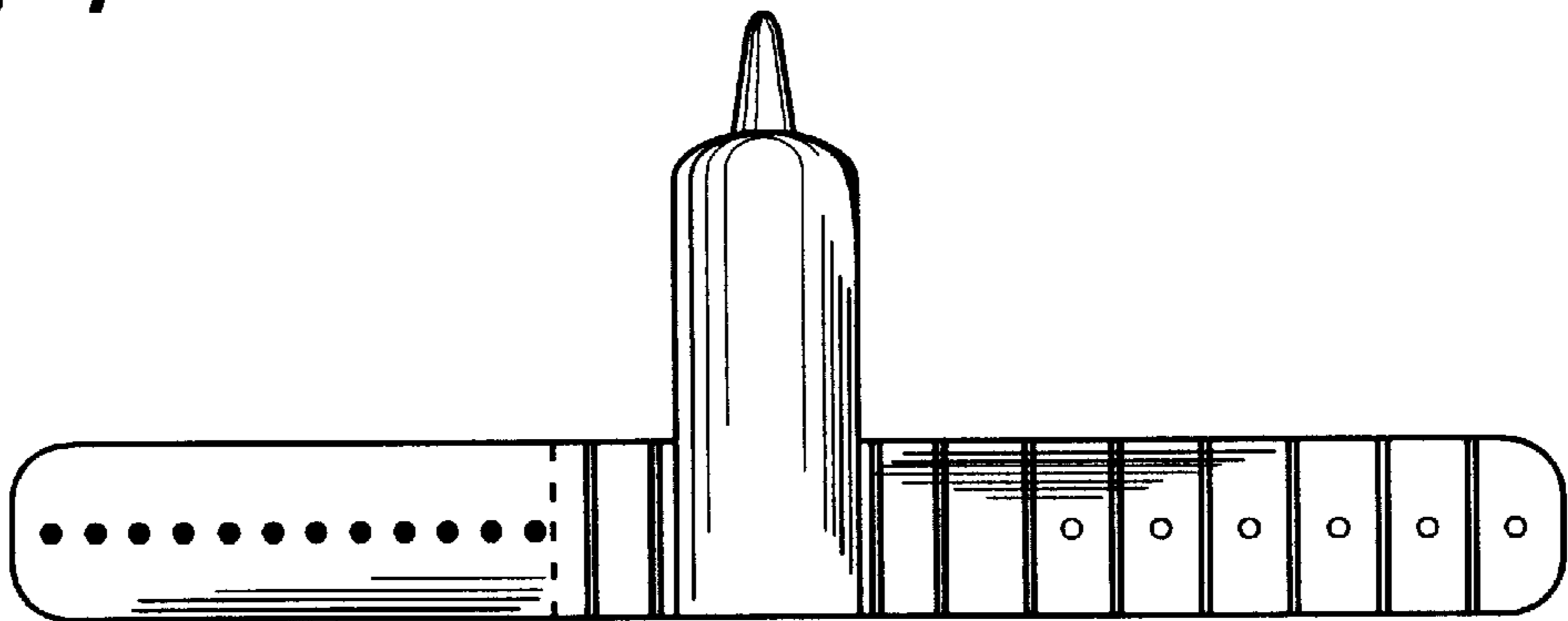


Fig. 5

