



US00D440565S

(12) **United States Design Patent**
Ono et al.

(10) **Patent No.:** **US D440,565 S**

(45) **Date of Patent:** **** Apr. 17, 2001**

(54) **DISPLAY HAVING INPUT MEANS**

(75) Inventors: **Yasuhiro Ono**, Yokohama; **Katsuhiro Yoshida**, Akishima, both of (JP)

(73) Assignee: **Toshiba Tec Kabushiki Kaisha**, Tokyo (JP)

(**) Term: **14 Years**

(21) Appl. No.: **29/128,144**

(22) Filed: **Aug. 21, 2000**

Related U.S. Application Data

(62) Division of application No. 29/114,591, filed on Nov. 30, 1999.

(30) **Foreign Application Priority Data**

Sep. 29, 1999 (JP) 11-26301
Sep. 29, 1999 (JP) 11-26302

(51) **LOC (7) Cl.** **14-02**

(52) **U.S. Cl.** **D14/375; D14/383**

(58) **Field of Search** D14/374, 375,
D14/336, 337, 383, 126-129; 345/104,
133, 156, 168, 173; 348/180, 184, 325,
739; 349/1, 2, 11, 62

(56) **References Cited**

U.S. PATENT DOCUMENTS

D. 354,949 * 1/1995 Yao D14/337

D. 387,040 * 12/1997 Iino D14/375
D. 396,217 * 7/1998 Suzuki D14/336
D. 403,670 * 1/1999 Liao D14/375
D. 408,383 * 4/1999 Carter et al. D14/374

* cited by examiner

Primary Examiner—Freda Nunn

(74) *Attorney, Agent, or Firm*—Oblon, Spivak, McClelland, Maier & Neustadt, P.C.

(57) **CLAIM**

The ornamental design for a display having input means, as shown and described.

DESCRIPTION

FIG. 1 is a top, front and right side perspective view of a display having input means showing our new design;

FIG. 2 is a front elevational view thereof;

FIG. 3 is a rear elevational view thereof;

FIG. 4 is a top plan view thereof;

FIG. 5 is a bottom plan view thereof;

FIG. 6 is a left side elevational view thereof;

FIG. 7 is a right side elevational view thereof; and,

FIG. 8 is a left side elevational view thereof showing the display portion when rotated.

1 Claim, 5 Drawing Sheets

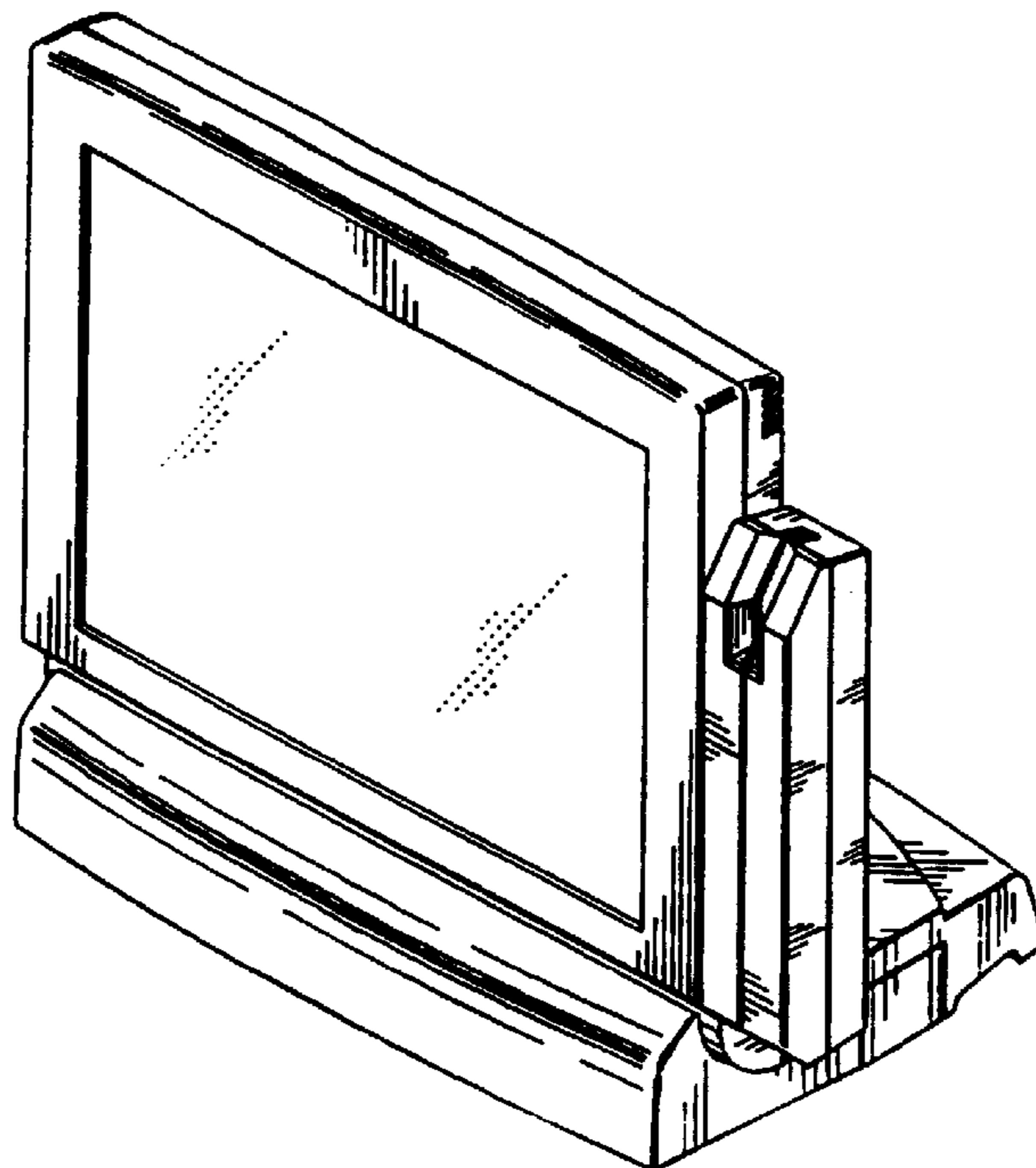


FIG. 1

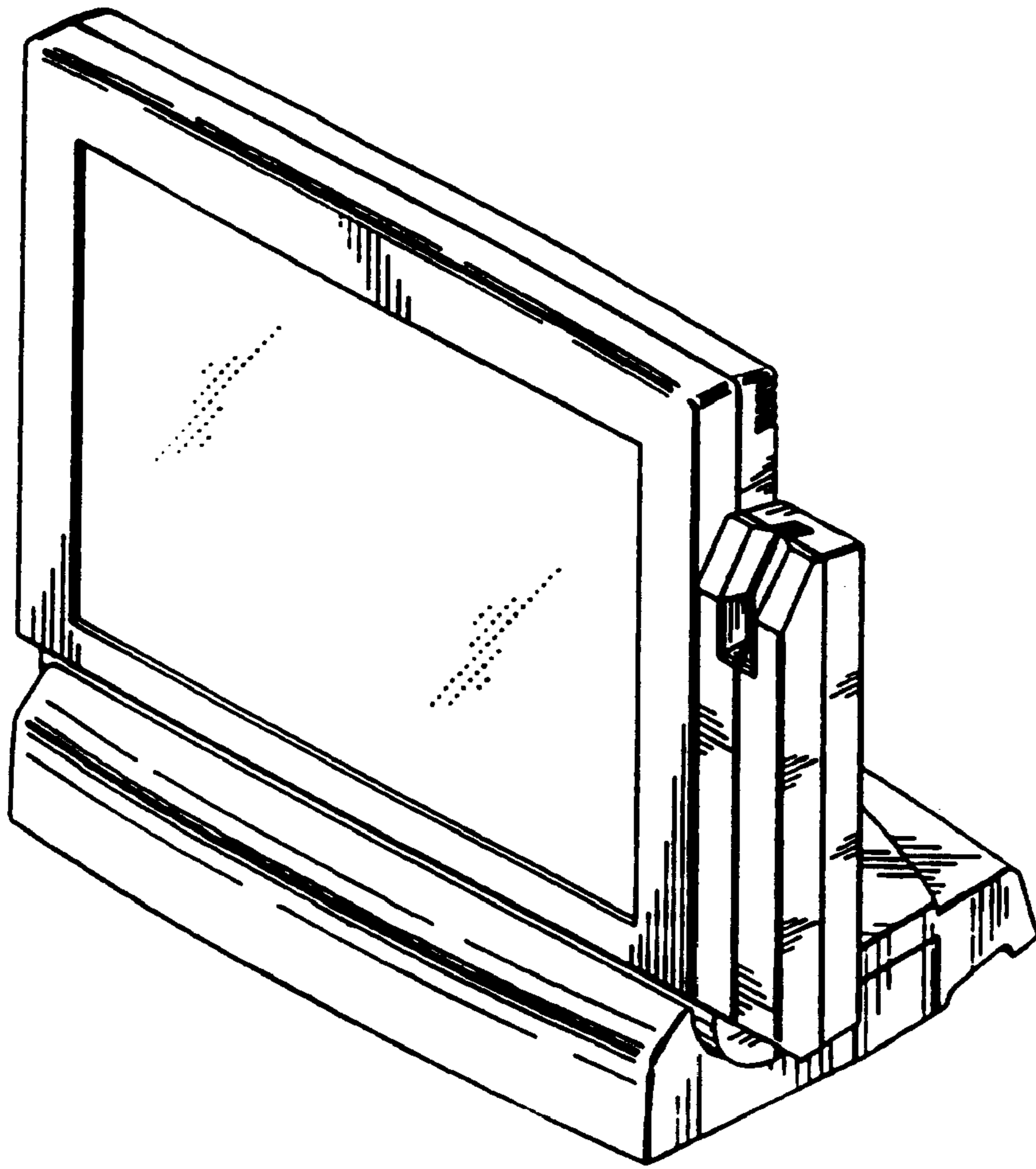


FIG.2

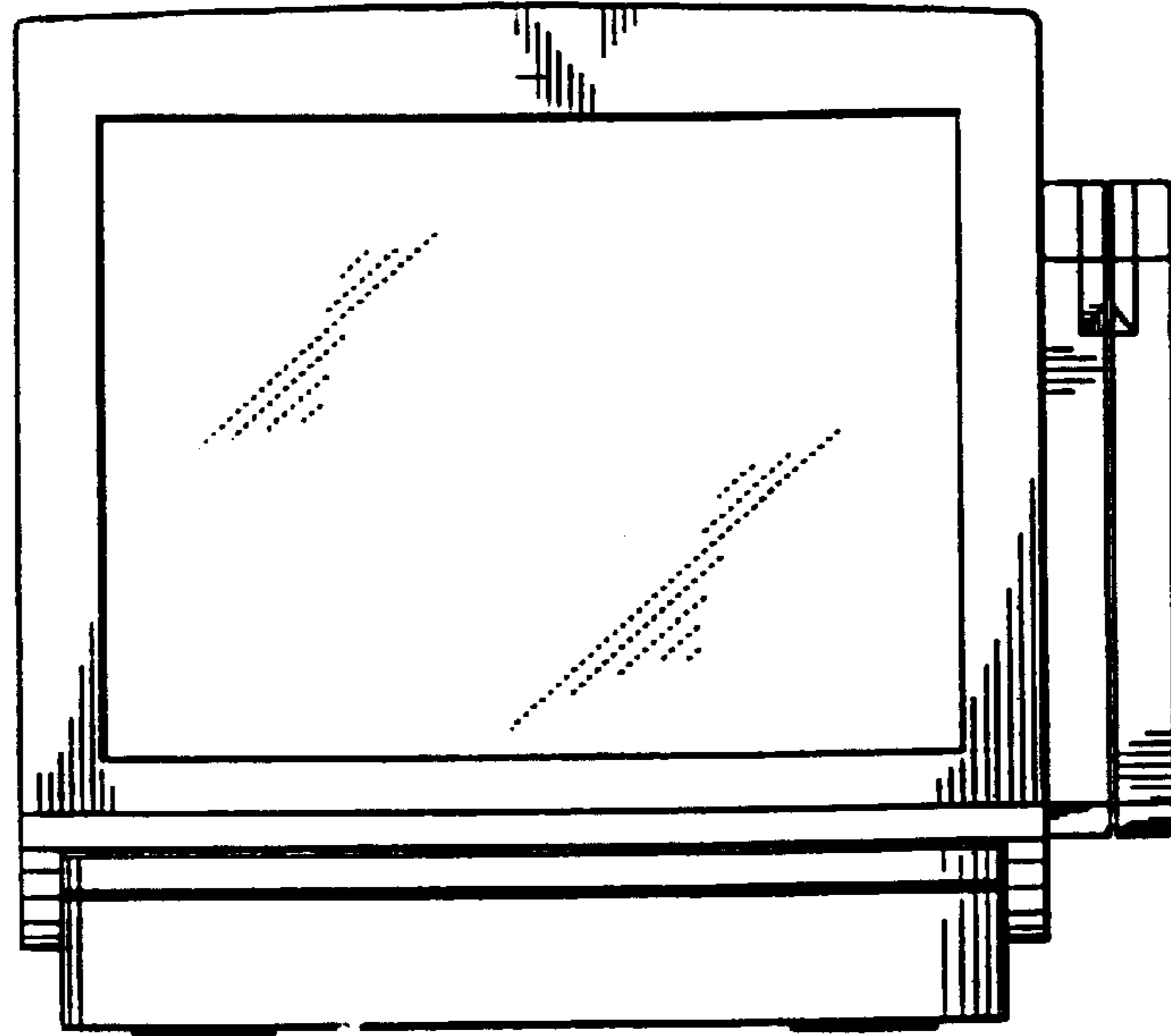


FIG.3

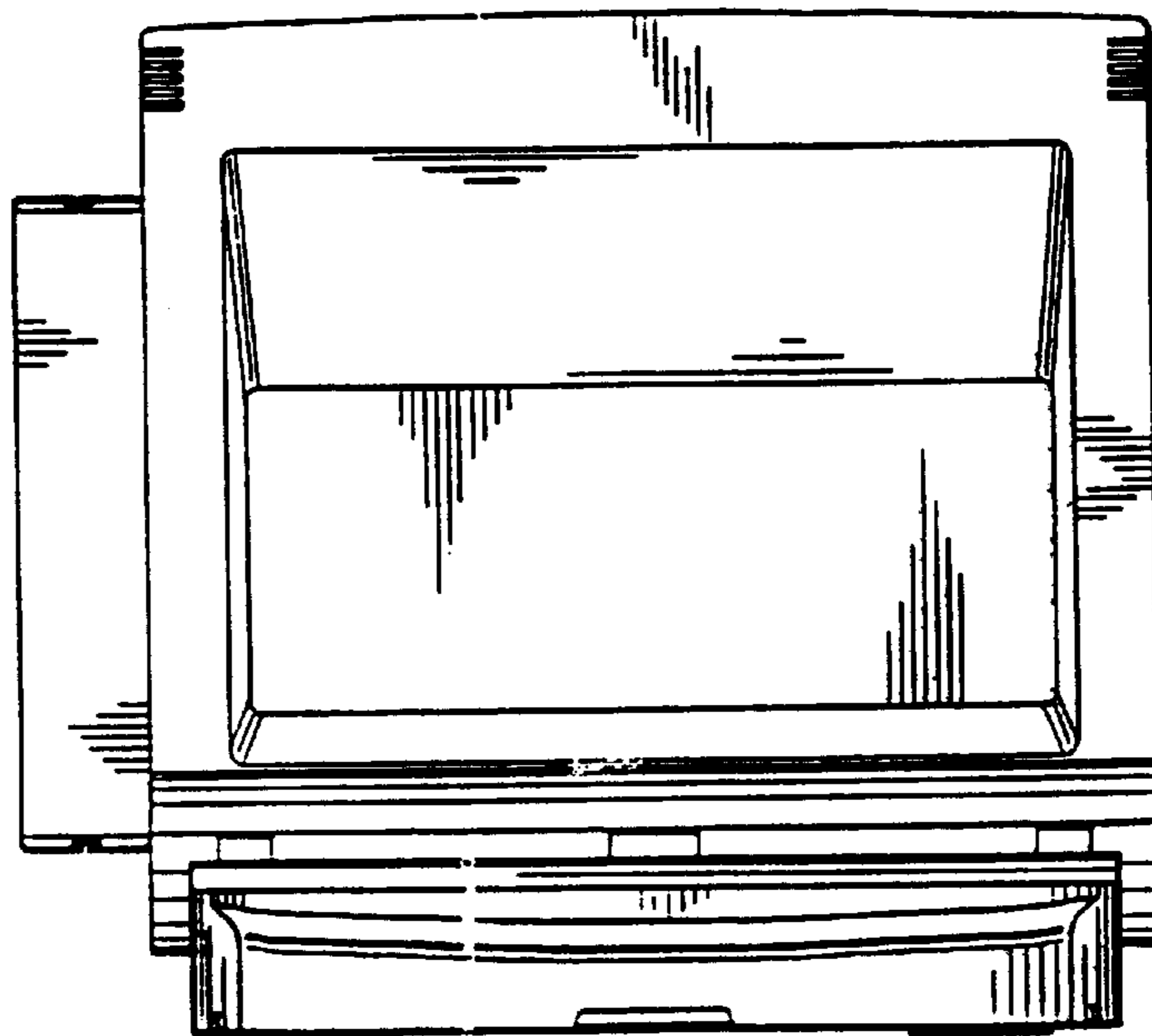


FIG. 4

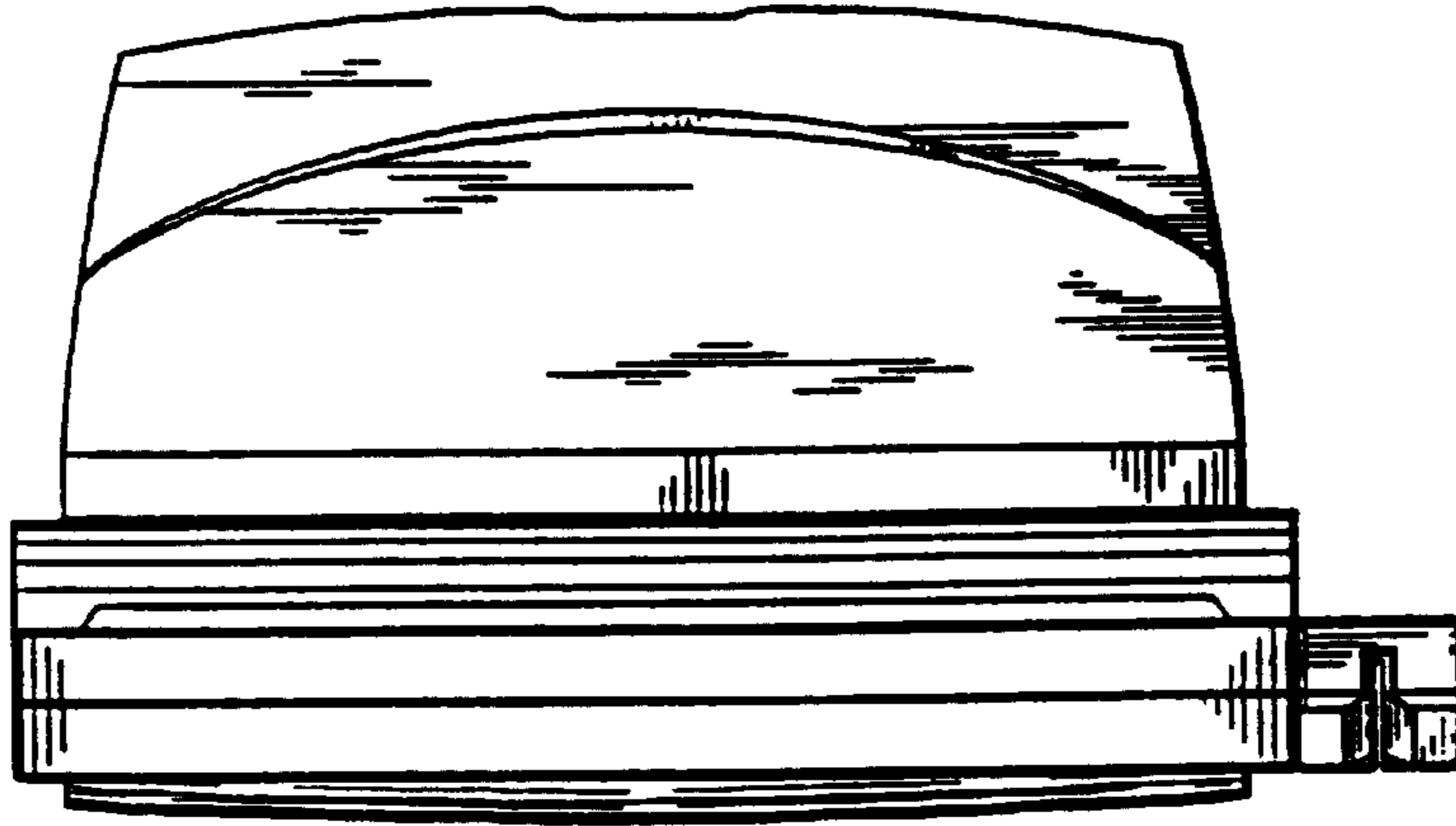


FIG. 5

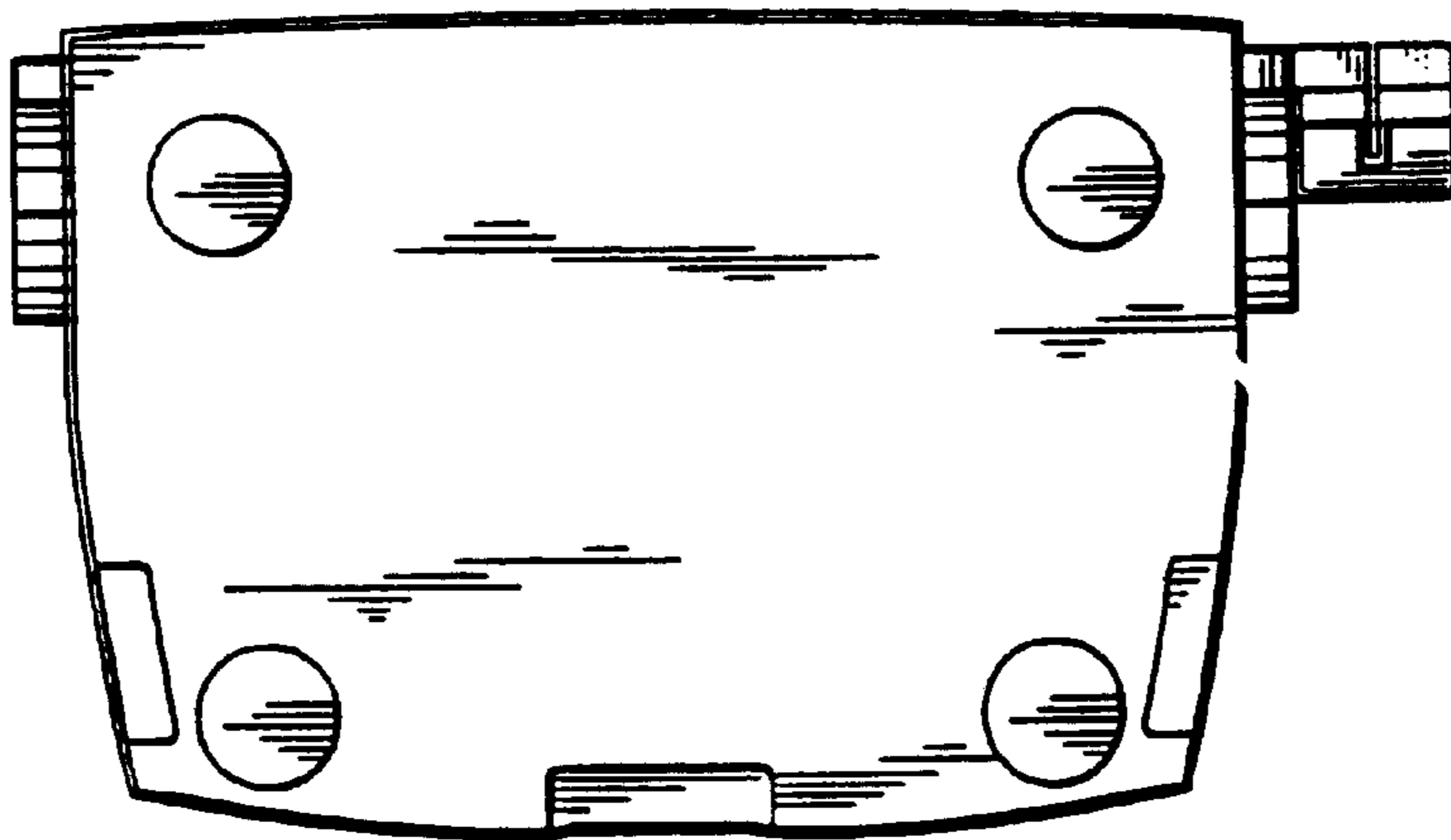


FIG. 6

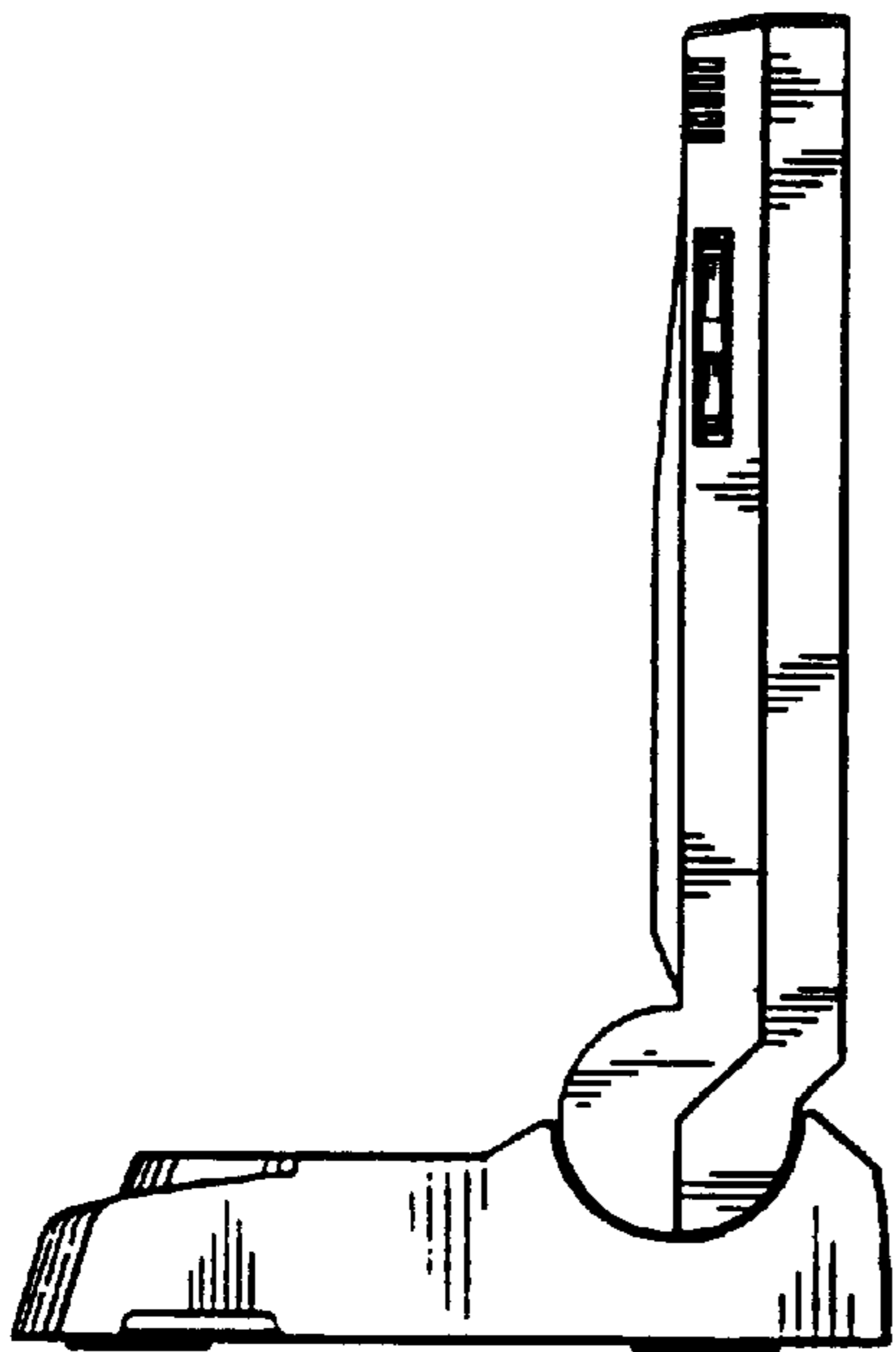


FIG. 7

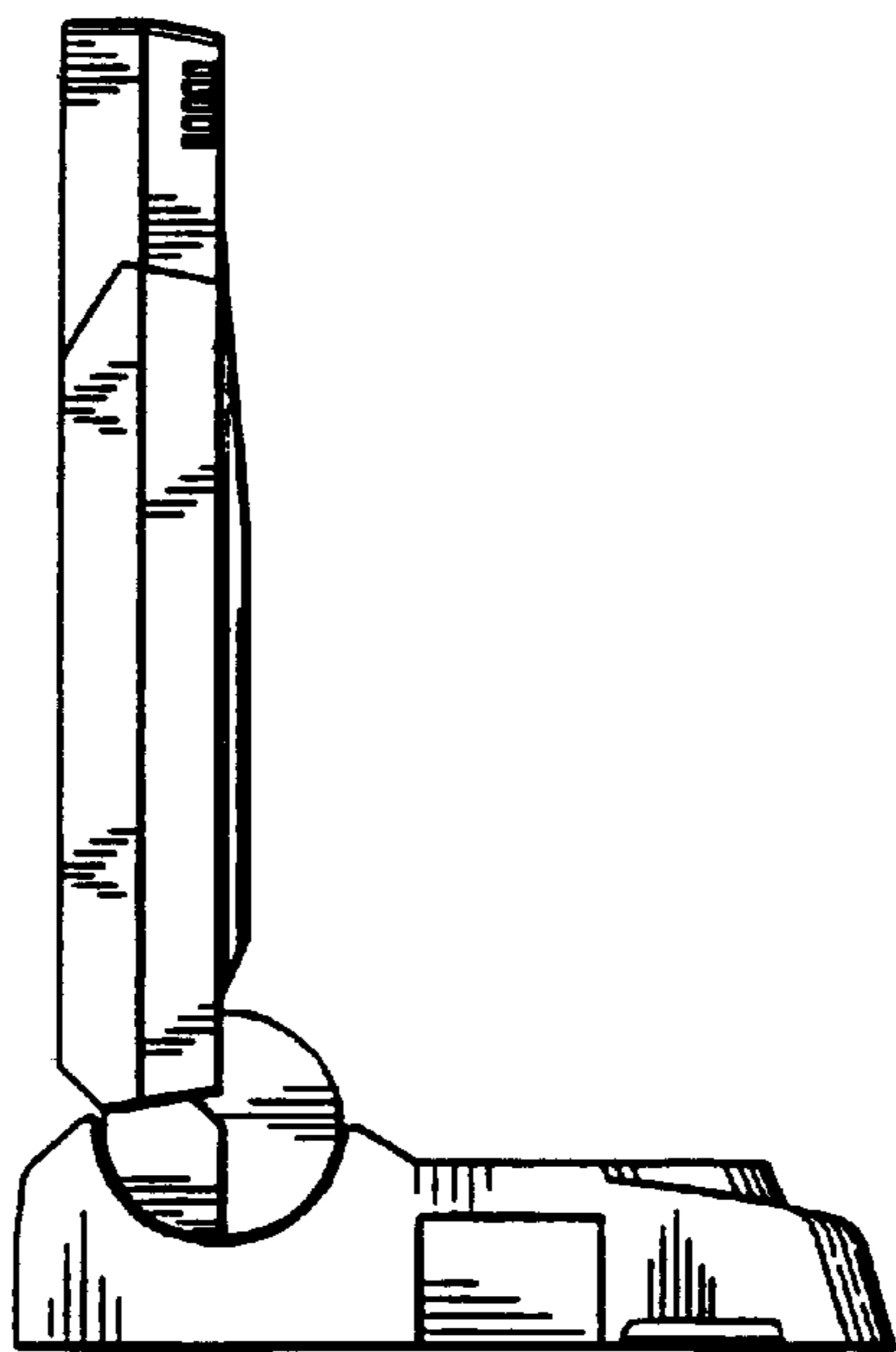


FIG. 8

