



US00D440560S

(12) **United States Design Patent**  
**Tokiyama et al.**

(10) **Patent No.:** **US D440,560 S**

(45) **Date of Patent:** **\*\* Apr. 17, 2001**

(54) **DUAL-TONE MULTI-FREQUENCY  
MICROPHONE**

D. 388,094 \* 12/1997 Tokiyama ..... D14/226  
2,587,684 \* 3/1952 Bauer ..... 381/157 X

(75) Inventors: **Masaru Tokiyama**, Coral Springs, FL  
(US); **Marc H. Pullman**, Bartlett, IL  
(US)

\* cited by examiner

*Primary Examiner*—Nanda Bondade  
(74) *Attorney, Agent, or Firm*—Frank M. Scutch, III

(73) Assignee: **Motorola, Inc.**, Schaumburg, IL (US)

(57) **CLAIM**

(\*\*) Term: **14 Years**

The ornamental design for a dual-tone multi-frequency microphone, as shown and described.

(21) Appl. No.: **29/126,645**

**DESCRIPTION**

(22) Filed: **Jul. 18, 2000**

(51) **LOC (7) Cl.** ..... **14-01**

(52) **U.S. Cl.** ..... **D14/225**

(58) **Field of Search** ..... D14/225–229;  
181/158, 242; 381/355–360, 369, 181

FIG. 1 is a top, front left isometric view of one embodiment of a dual-tone multi-frequency microphone showing our new design;

FIG. 2 is a front elevational view thereof;

FIG. 3 is a left side elevational view thereof;

FIG. 4 is a right side elevational view thereof;

FIG. 5 is a top plan view thereof;

FIG. 6 is a bottom plan view thereof; and,

FIG. 7 is a rear elevational view thereof.

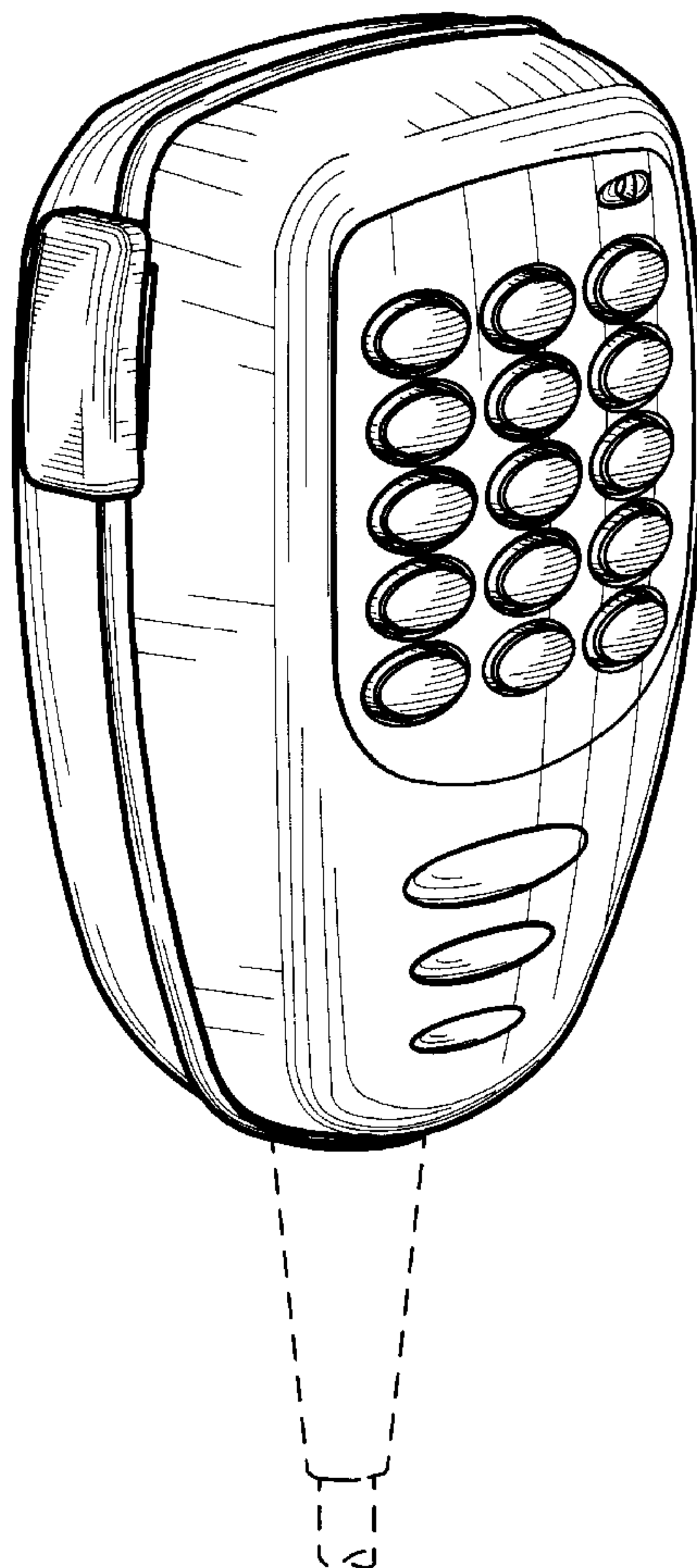
The broken lines shown in FIGS. 1–4 and 6–7 are included for the purpose of illustrating environmental elements only and form no part of the claimed design.

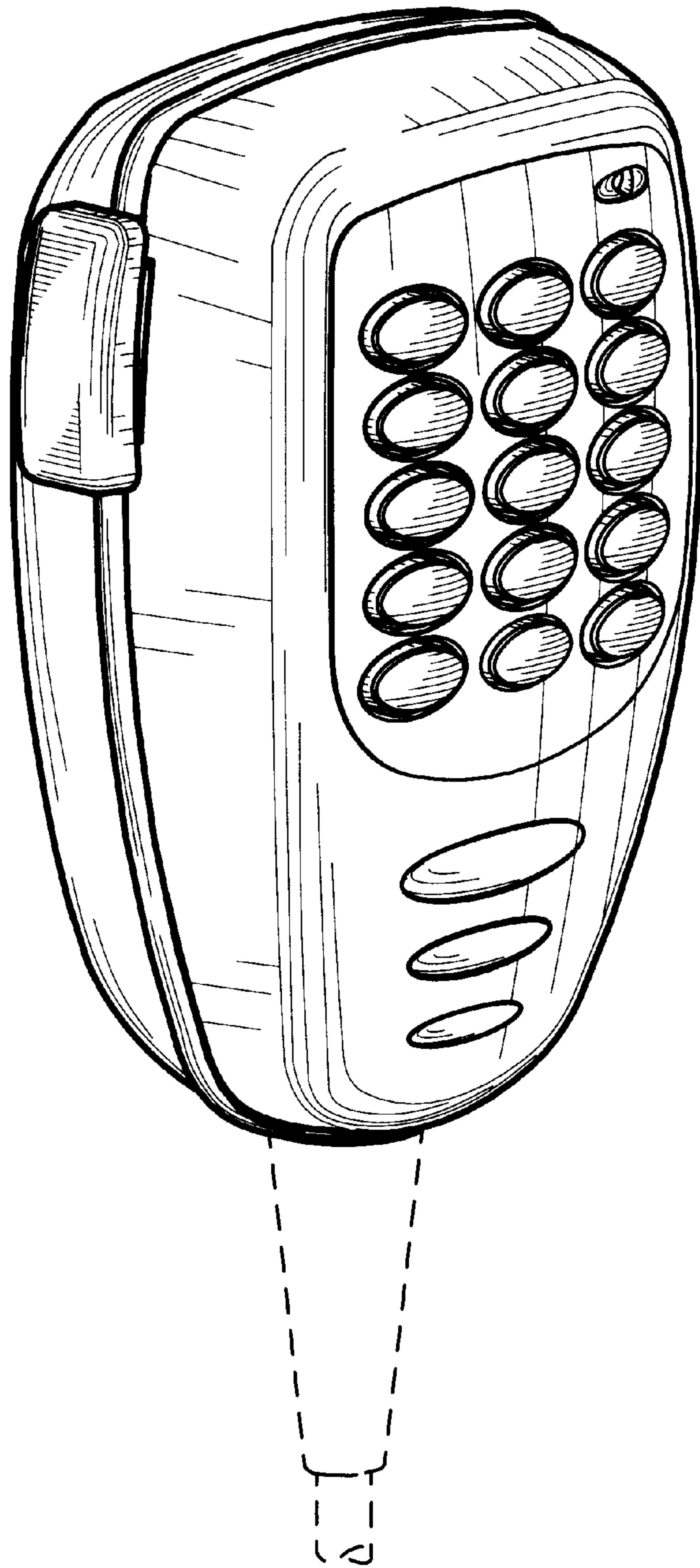
(56) **References Cited**

**U.S. PATENT DOCUMENTS**

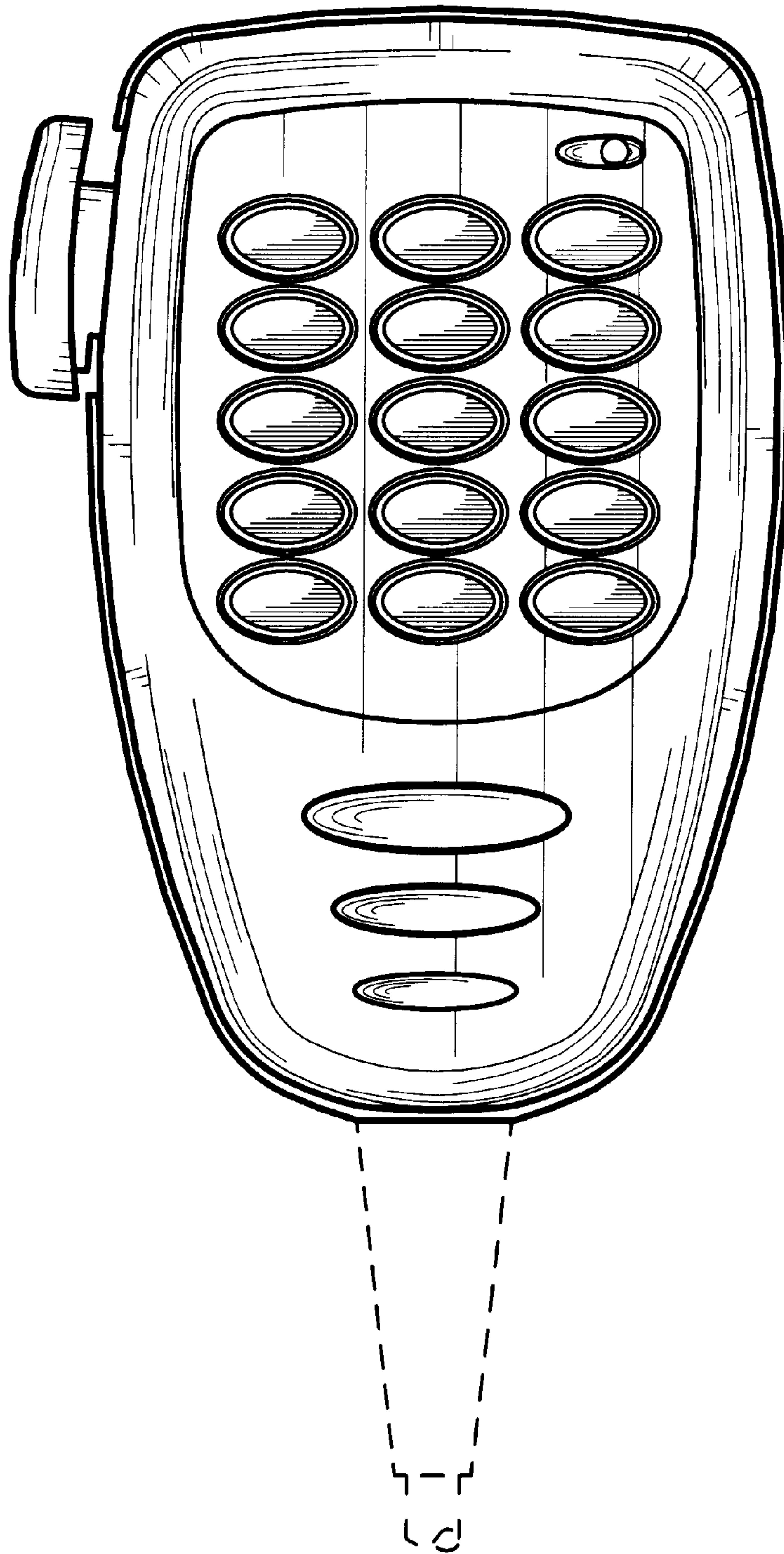
D. 253,767	12/1979	Peterson	.....	D14/12
D. 281,419	11/1985	Nagele	.....	D14/12
D. 303,116	* 8/1989	Richards et al.	.....	D14/225 X
D. 376,599	12/1996	Lindeman et al.	.....	D14/225
D. 378,820	4/1997	Tokiyama et al.	.....	D14/225

**1 Claim, 5 Drawing Sheets**

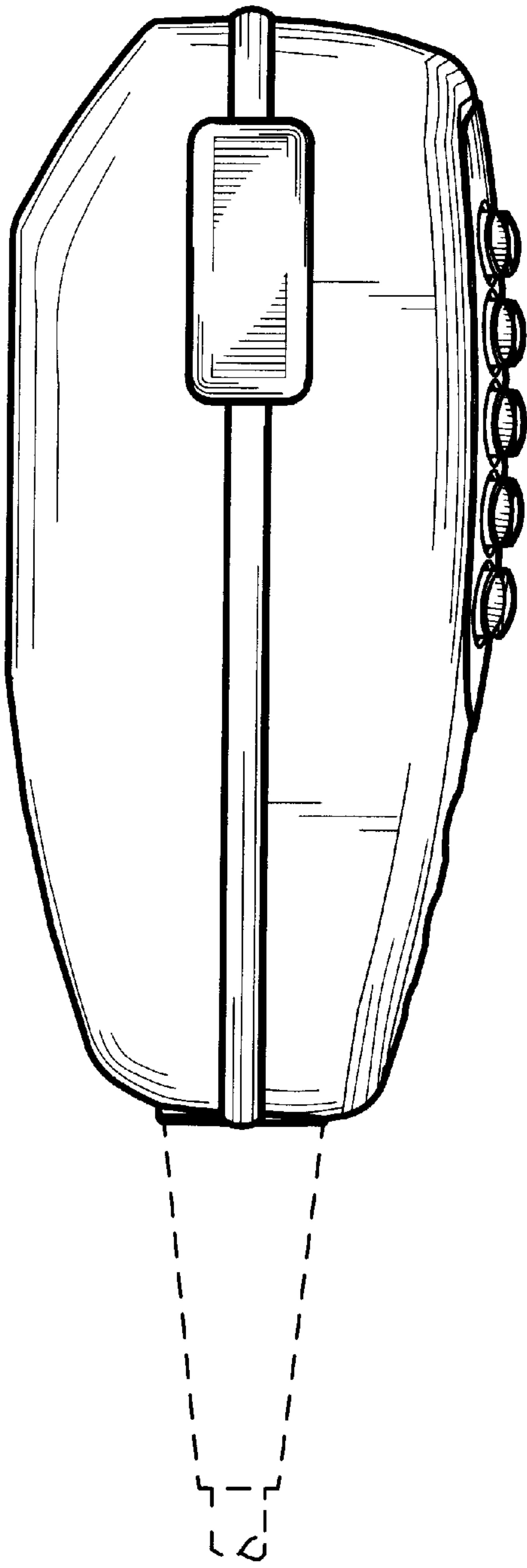




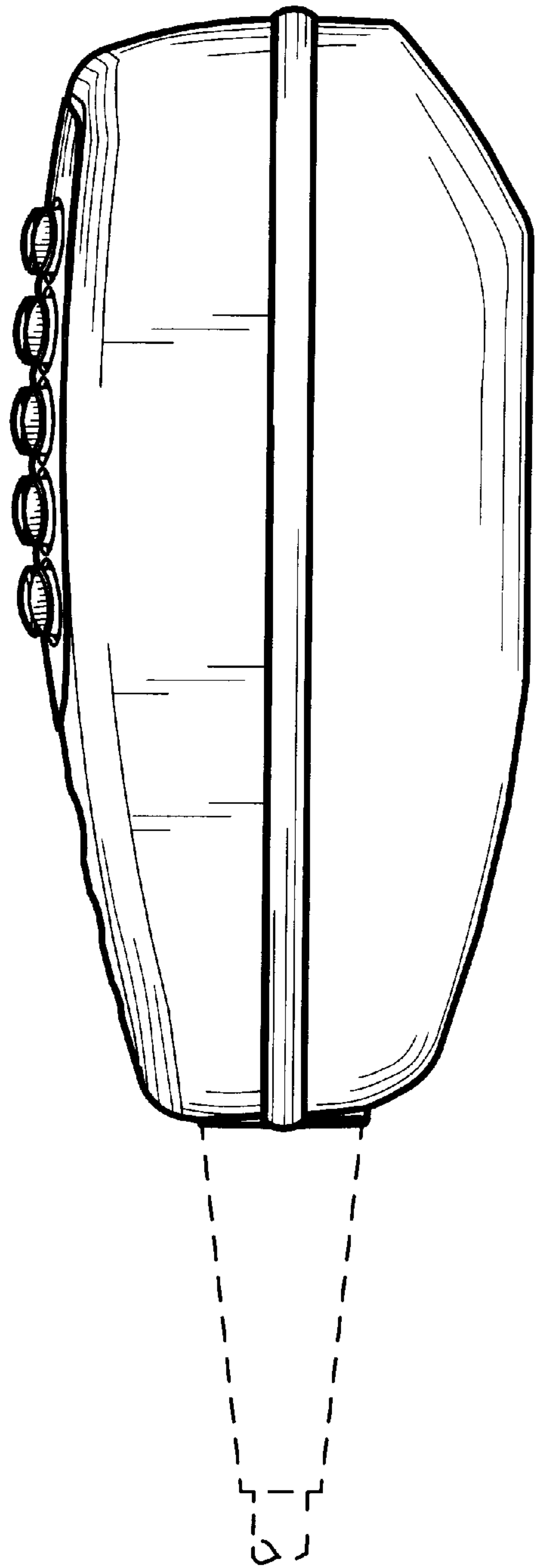
***FIG. 1***



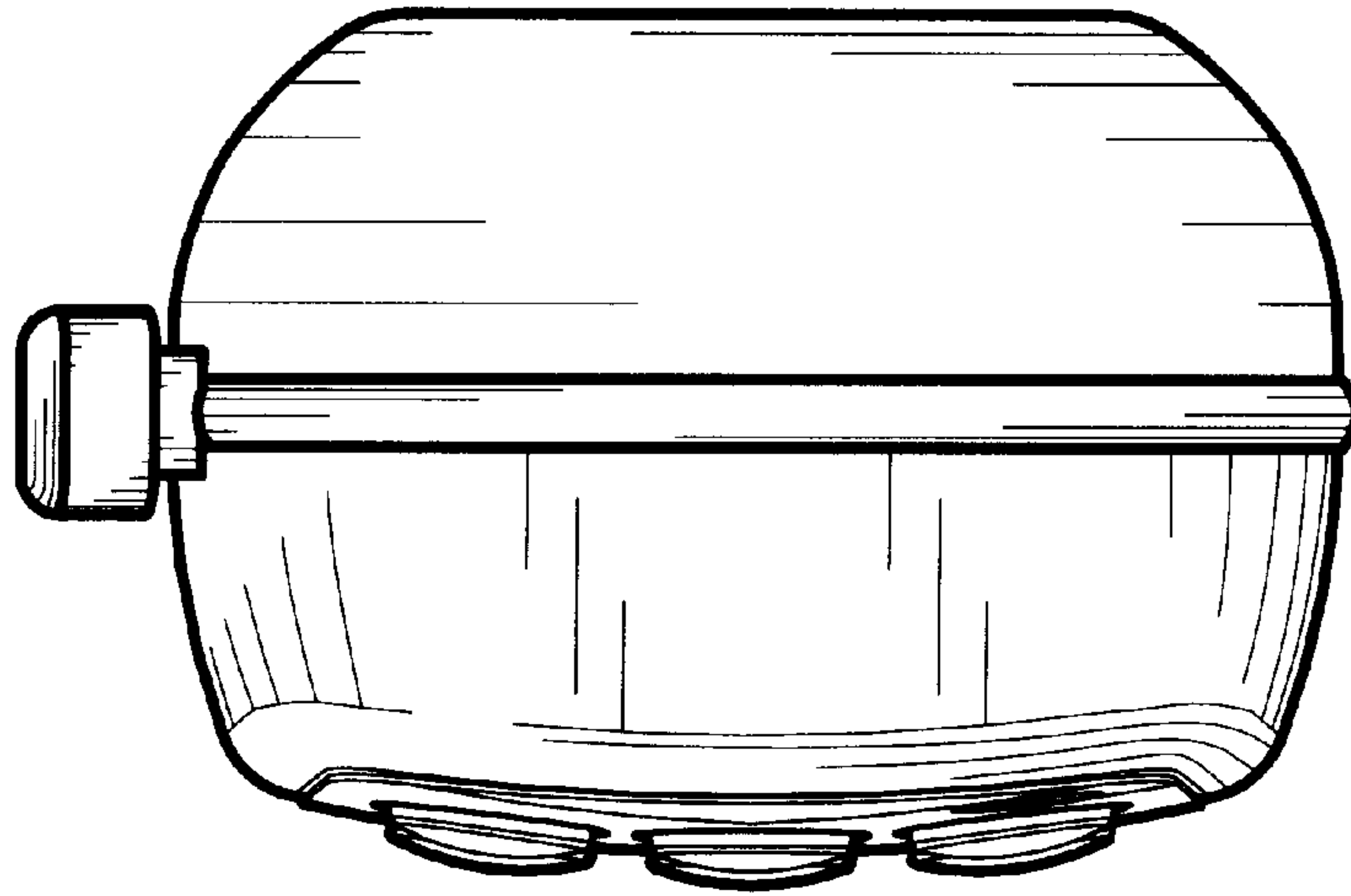
***FIG. 2***



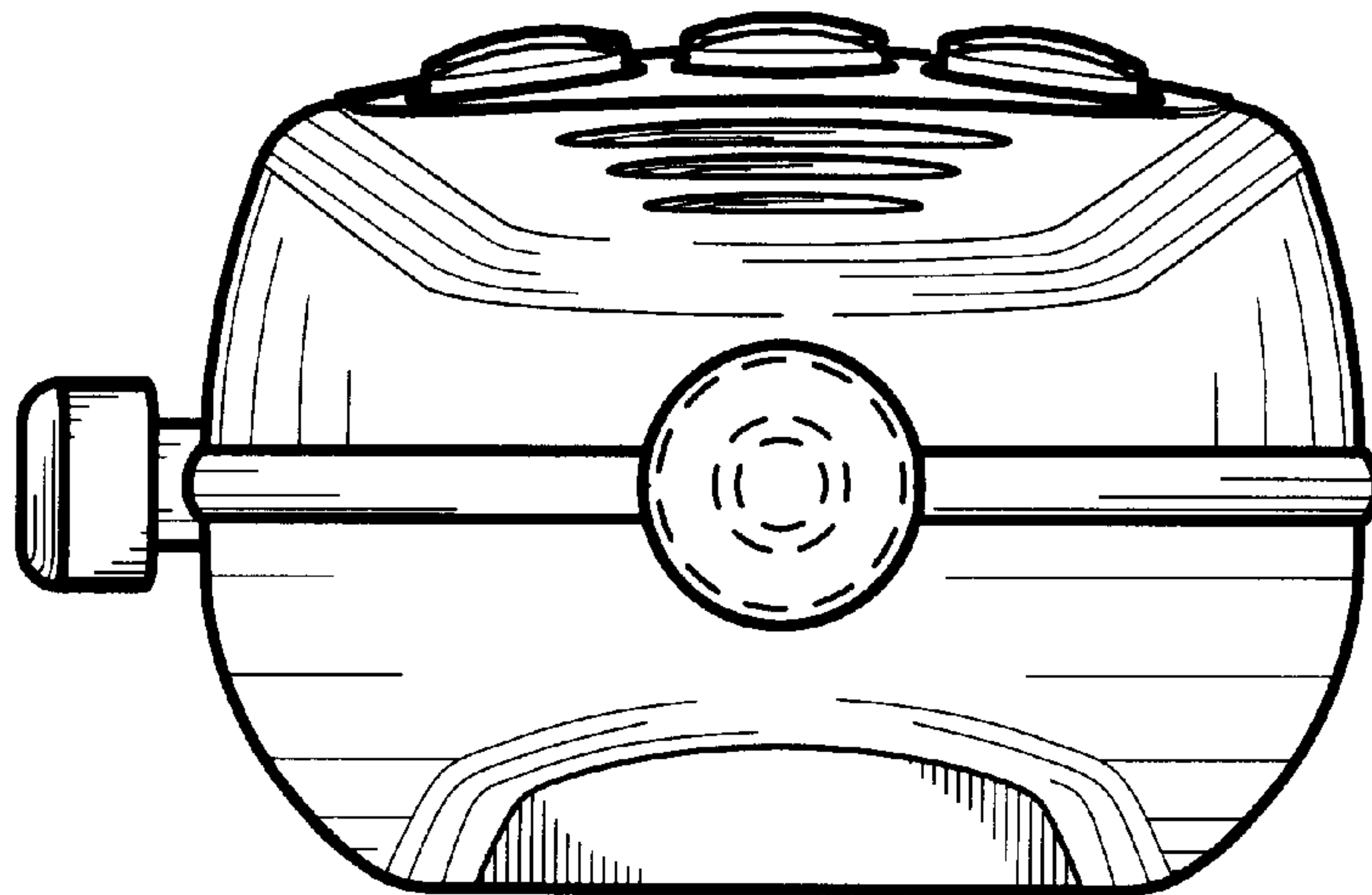
**FIG. 3**



**FIG. 4**

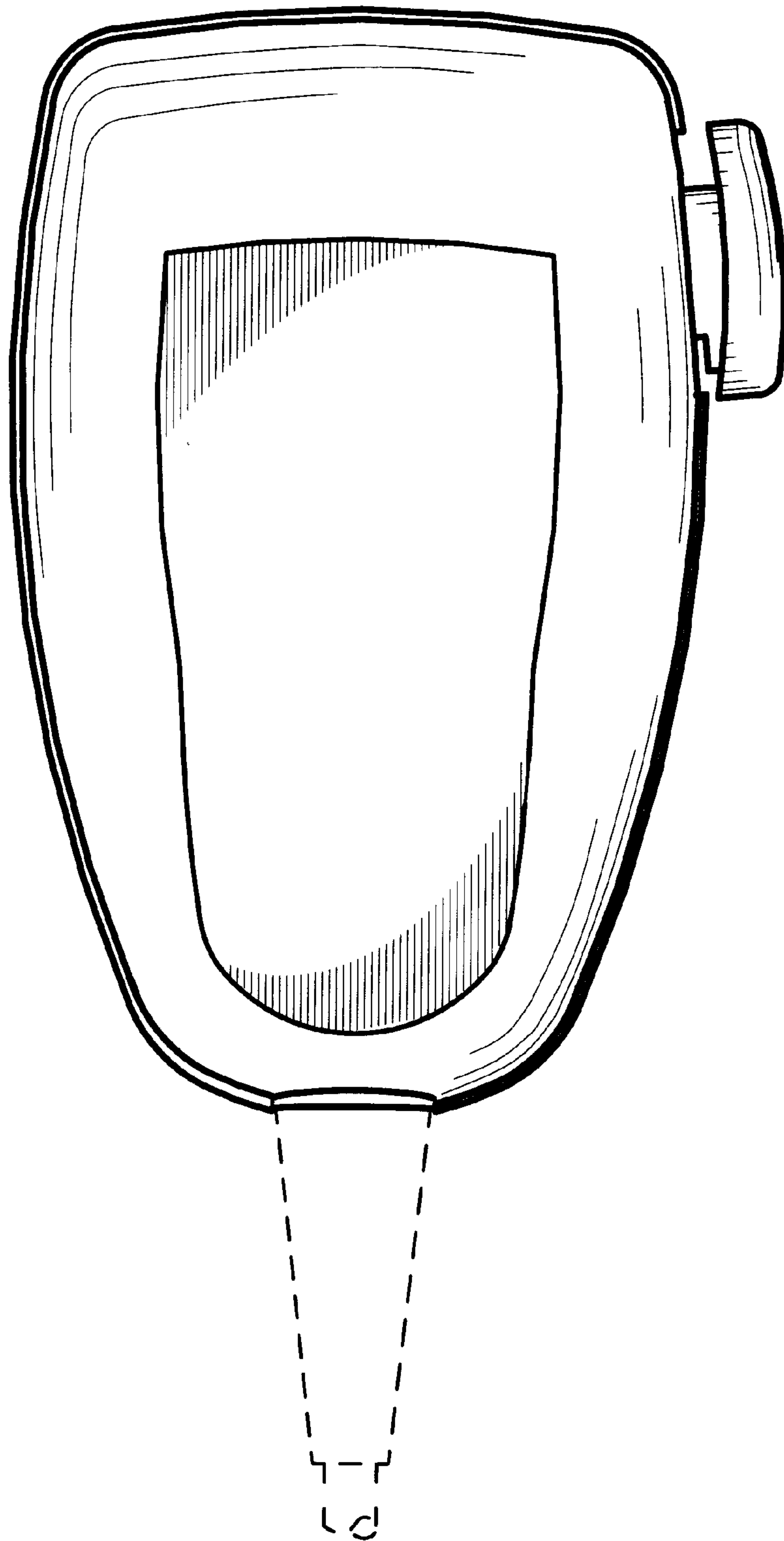


*FIG. 5*



*FIG. 6*





**FIG. 7**