



US00D440558S

(12) **United States Design Patent**
Fishman

(10) **Patent No.:** **US D440,558 S**

(45) **Date of Patent:** **** Apr. 17, 2001**

(54) **COVER FOR TV CONTROL PANEL**

4,532,162 * 7/1985 Neece D14/258 X
5,076,461 * 12/1991 Nichols D14/239 X

(76) Inventor: **Gary Lee Fishman**, 15 Chestnut Way,
Manalapan, NJ (US) 07079

OTHER PUBLICATIONS

(**) Term: **14 Years**

Provisional Patent Application 60/054,620 filed Aug. 4,
1997, Inv.: Gary L. Fishman.

(21) Appl. No.: **29/091,679**

* cited by examiner

(22) Filed: **Aug. 4, 1998**

Primary Examiner—Nanda Bondade

(51) **LOC (7) Cl.** **14-99**

(57) **CLAIM**

(52) **U.S. Cl.** **D14/217**

The ornamental design for a cover for TV control panel, as
shown and described.

(58) **Field of Search** D14/115, 124-129,
D14/135-136, 156, 160-165, 167-168,
188, 197-198, 239, 257-258, 299; D10/108;
D13/164; 455/73, 89-90, 128, 345-347;
348/825, 836, 838

DESCRIPTION

(56) **References Cited**

FIG. 1 is a perspective view of the cover for TV control
panel of my new design, as seen from the top, front and left
side;

U.S. PATENT DOCUMENTS

FIG. 2 is a left side elevational view thereof, the right side
elevation being a mirror image;

- D. 225,012 * 10/1972 Katz D14/257
- D. 251,785 * 5/1979 Abernathy D14/239
- D. 321,192 * 10/1991 Ito et al. D14/156 X
- D. 350,139 * 8/1994 Fowler et al. D14/258
- D. 369,161 * 4/1996 Park D14/126
- D. 371,123 * 6/1996 Amundsen D14/115
- D. 375,908 * 11/1996 Schumaker et al. D14/258 X
- D. 384,665 * 10/1997 Ito et al. D14/156
- D. 394,017 * 5/1998 Liao et al. D14/258 X

FIG. 3 is a top pan view thereof, the bottom plan view being
a mirror image;

FIG. 4 is a front elevational view thereof;

FIG. 5 is a rear elevational view thereof; and,

FIG. 6. is a perspective view thereof, wherein the broken
line showing is for illustrative purposes only and forms no
part of the claimed design.

1 Claim, 3 Drawing Sheets

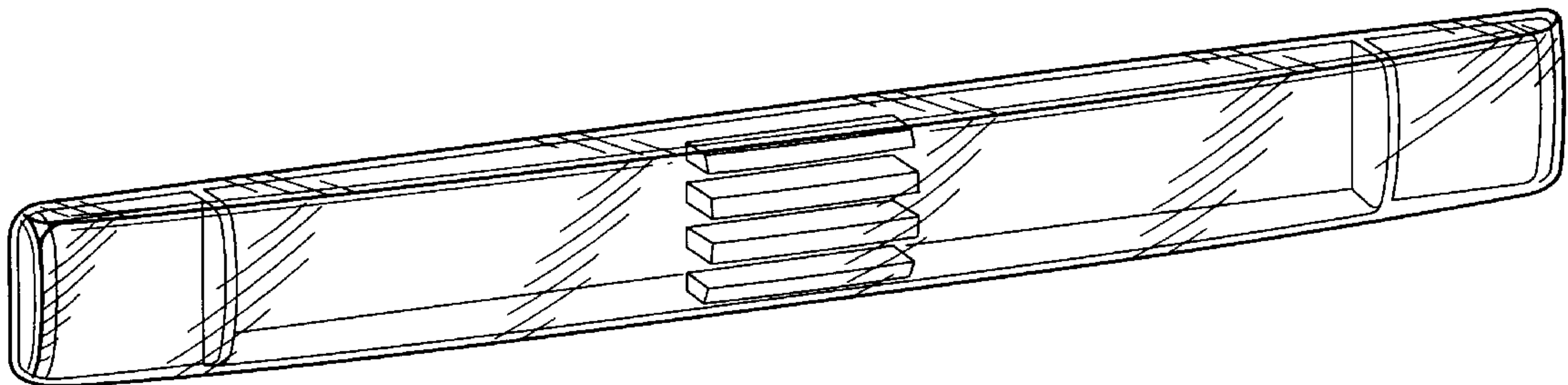


FIG. 1

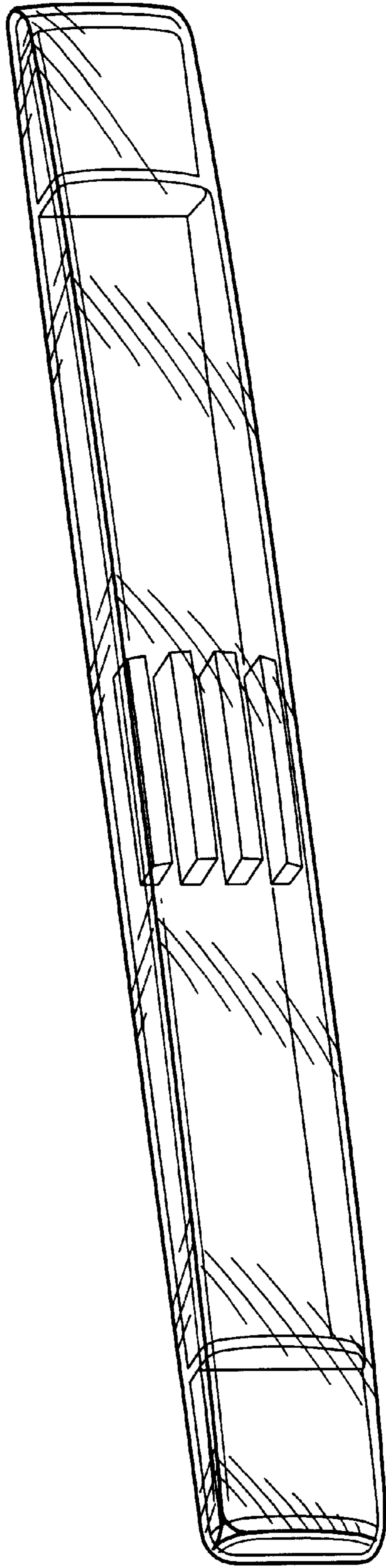


FIG. 2

FIG. 3



FIG. 4

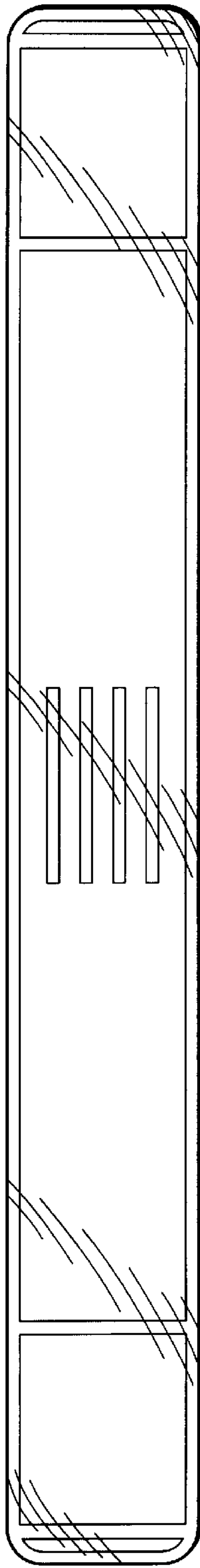
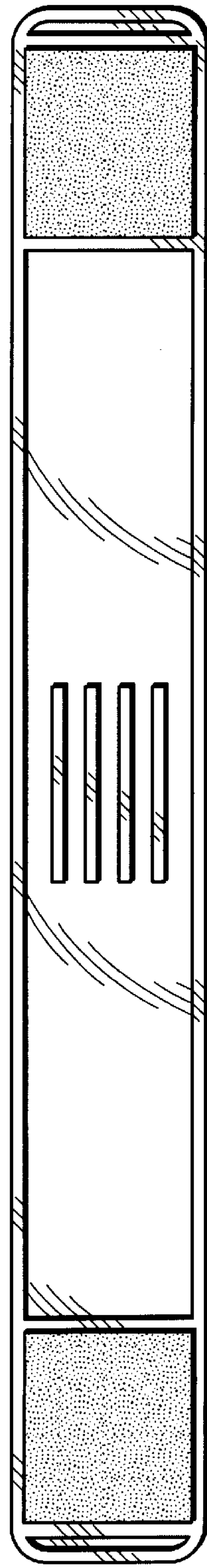


FIG. 5



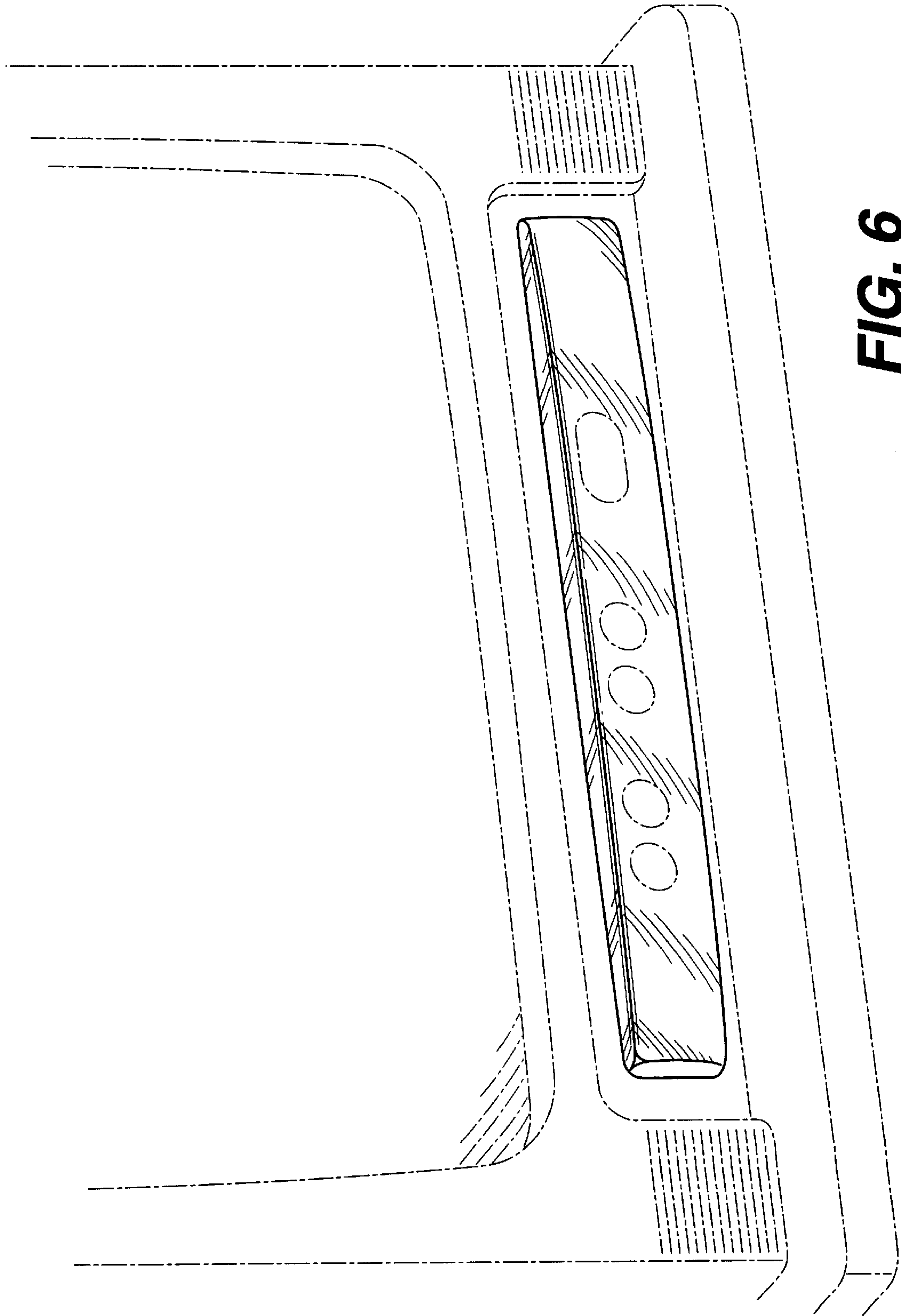


FIG. 6