



US00D440556S

(12) **United States Design Patent**  
**Kobayashi et al.**

(10) **Patent No.:** **US D440,556 S**

(45) **Date of Patent:** **\*\* Apr. 17, 2001**

(54) **SPEAKER BOX**

(75) Inventors: **Masaharu Kobayashi; Akihiro Akiyama**, both of Tokyo (JP)

(73) Assignee: **Sony Corporation**, Tokyo (JP)

(\*\*) Term: **14 Years**

(21) Appl. No.: **29/119,079**

(22) Filed: **Feb. 23, 2000**

(30) **Foreign Application Priority Data**

Aug. 23, 1999 (JP) ..... 11-22544

(51) **LOC (7) Cl.** ..... **14-01**

(52) **U.S. Cl.** ..... **D14/215**

(58) **Field of Search** ..... D14/204, 207,  
D14/210-216; 181/144-145, 147-148,  
150, 198-199; 381/300-302, 307, 357,  
386

(56) **References Cited**

**U.S. PATENT DOCUMENTS**

D. 369,806 \* 5/1996 Ichikawa ..... D14/216 X

D. 374,444 \* 10/1996 Blessing ..... D14/216  
4,696,037 \* 9/1987 Fierens ..... 381/300  
5,802,194 \* 9/1998 Yamagishi et al. .... 381/386

**OTHER PUBLICATIONS**

Catalog "92"; Sony; Jul. 1999; p. 165.

\* cited by examiner

*Primary Examiner*—Nanda Bondade

(74) *Attorney, Agent, or Firm*—Rader, Fishman & Grauer

(57) **CLAIM**

The ornamental design for a speaker box, as shown and described.

**DESCRIPTION**

FIG. 1 is a perspective view of a speaker box showing our design;

FIG. 2 is a top plan view thereof;

FIG. 3 is a bottom plan view thereof;

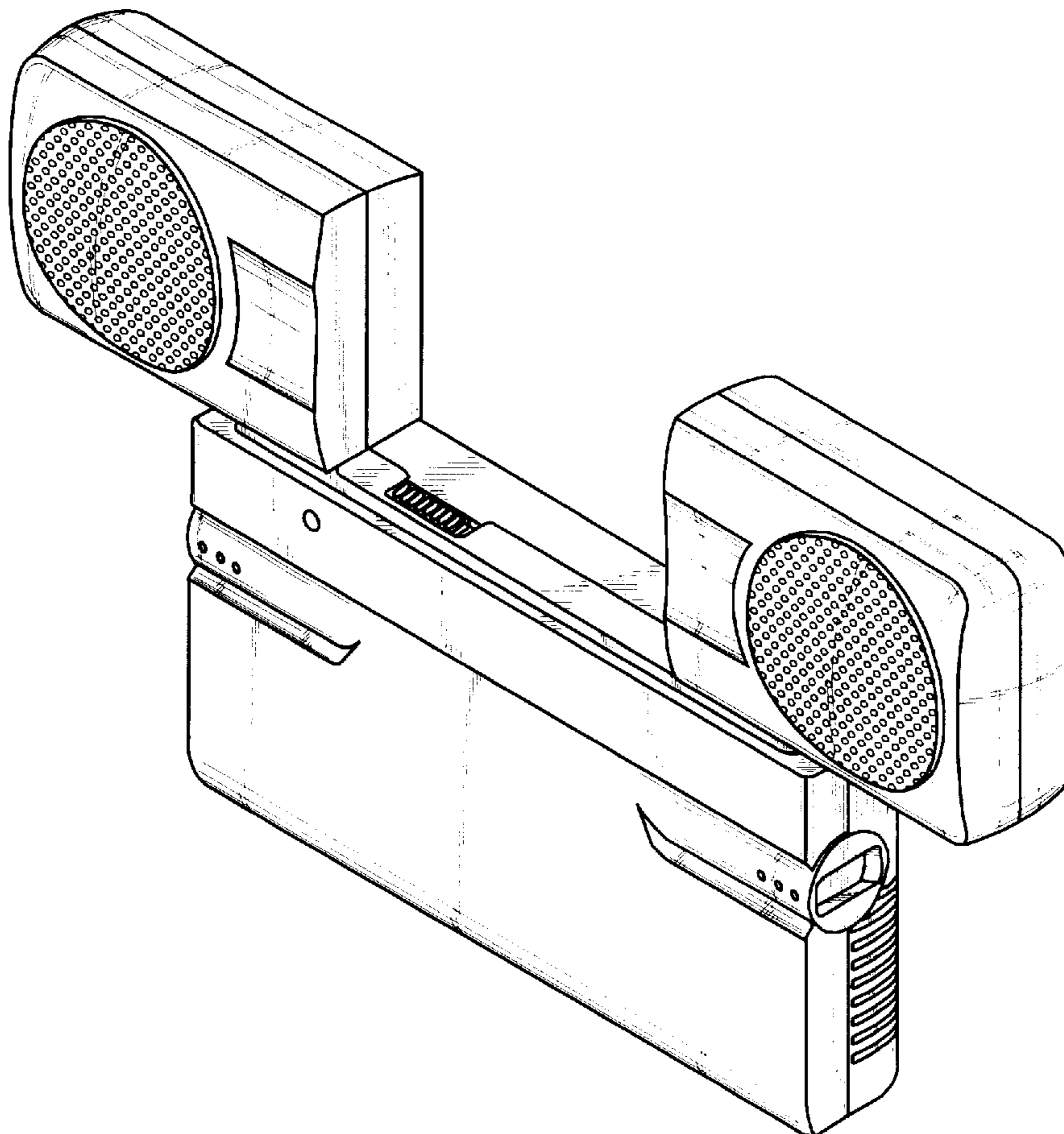
FIG. 4 is a left side elevational view thereof;

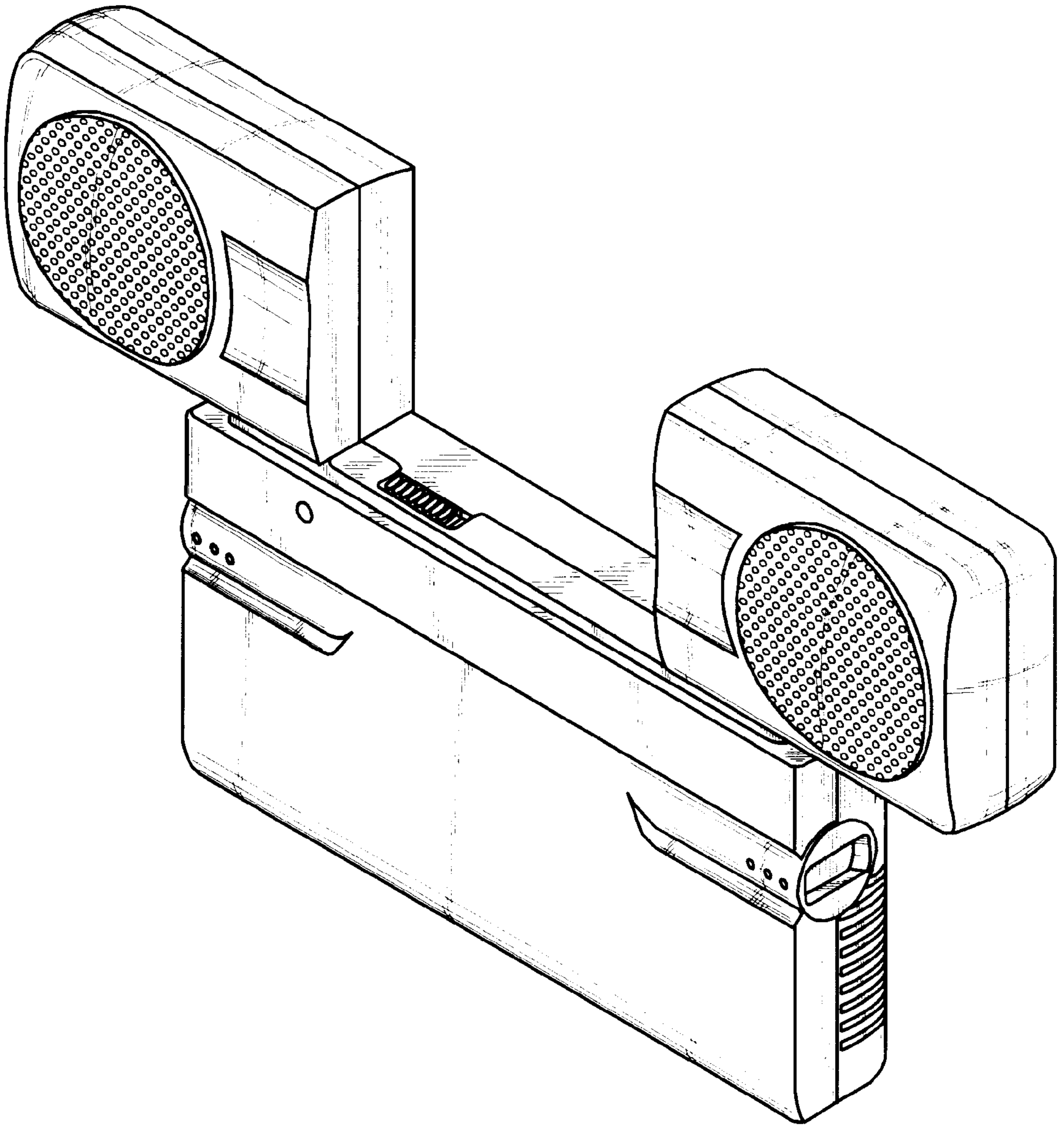
FIG. 5 is a right side elevational view thereof;

FIG. 6 is a front elevational view thereof; and,

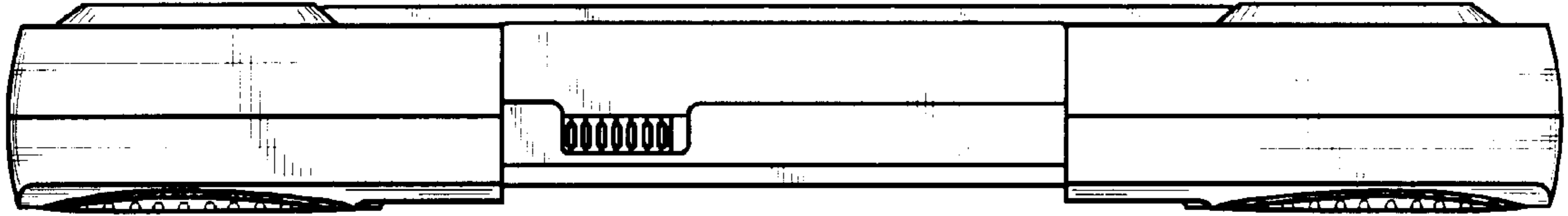
FIG. 7 is a rear elevational view thereof.

**1 Claim, 4 Drawing Sheets**

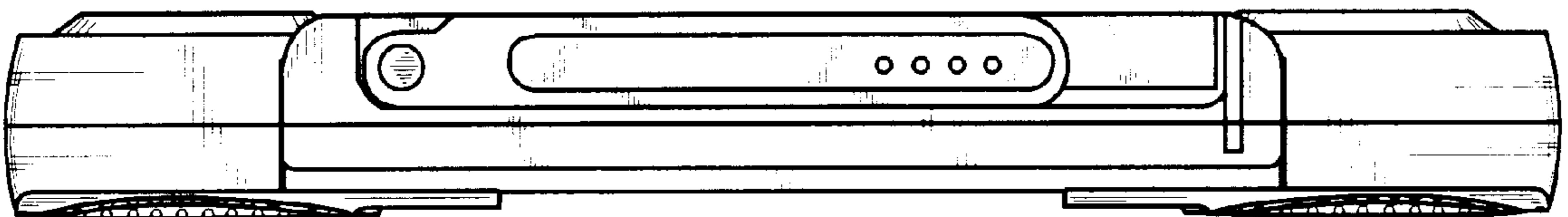




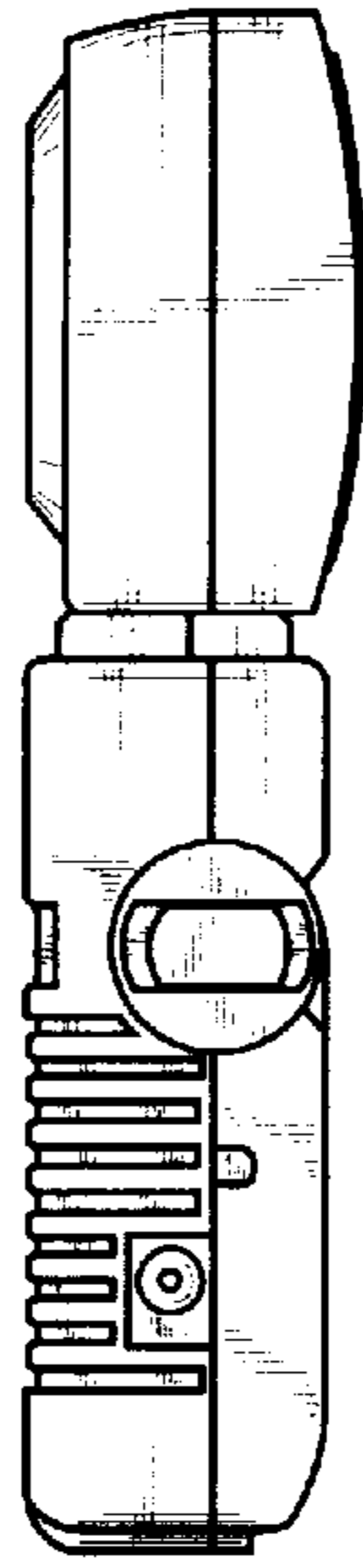
**Fig. 1**



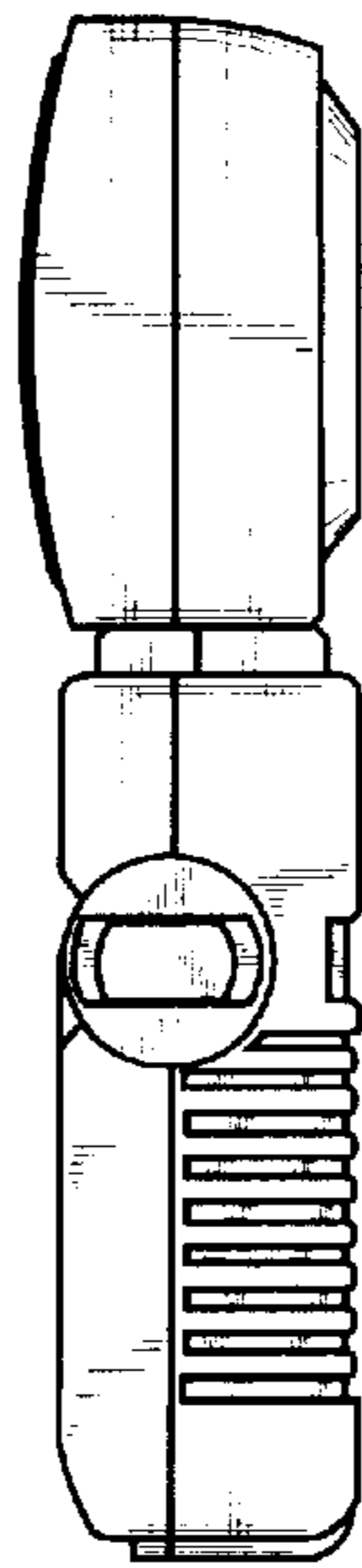
**Fig. 2**



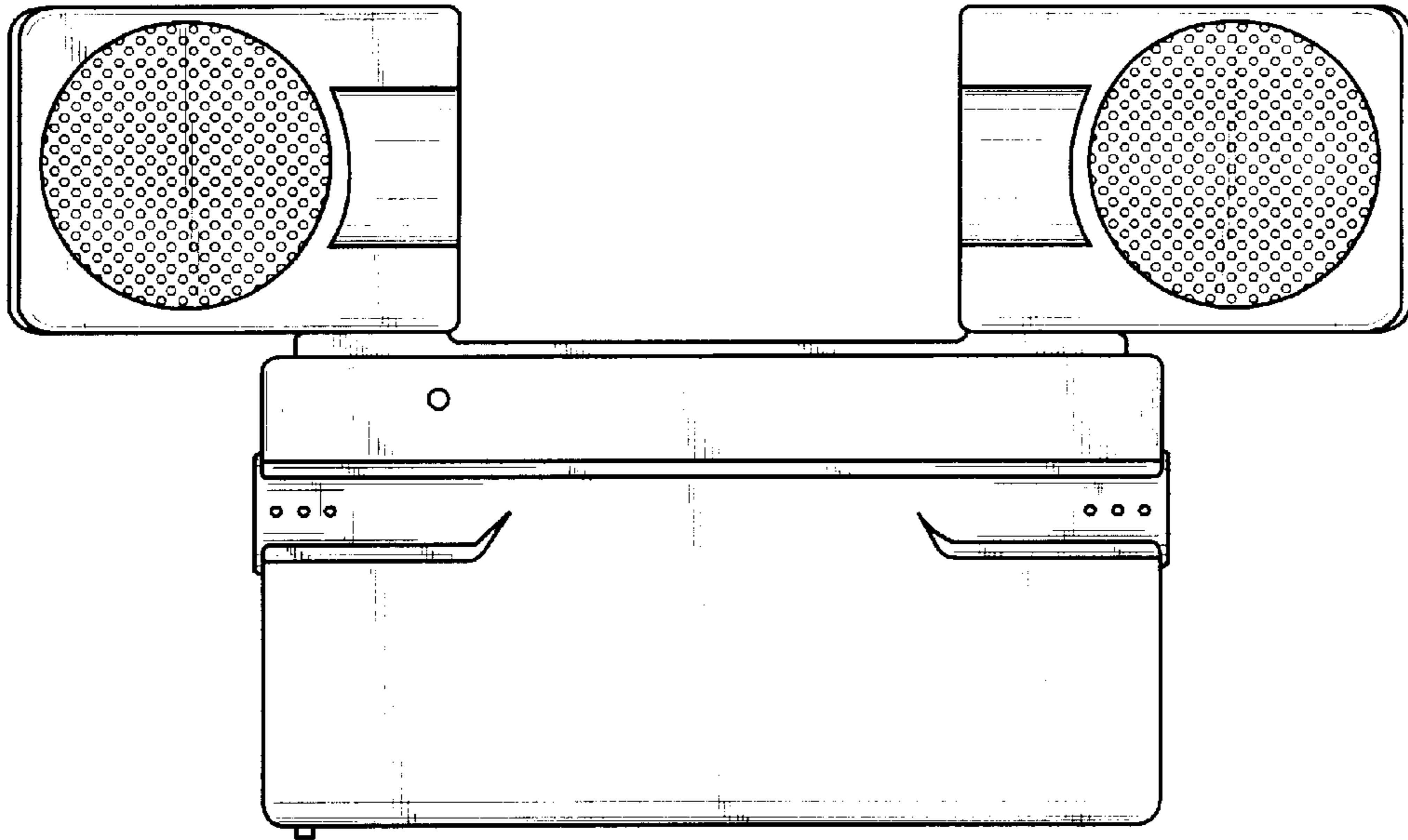
**Fig. 3**



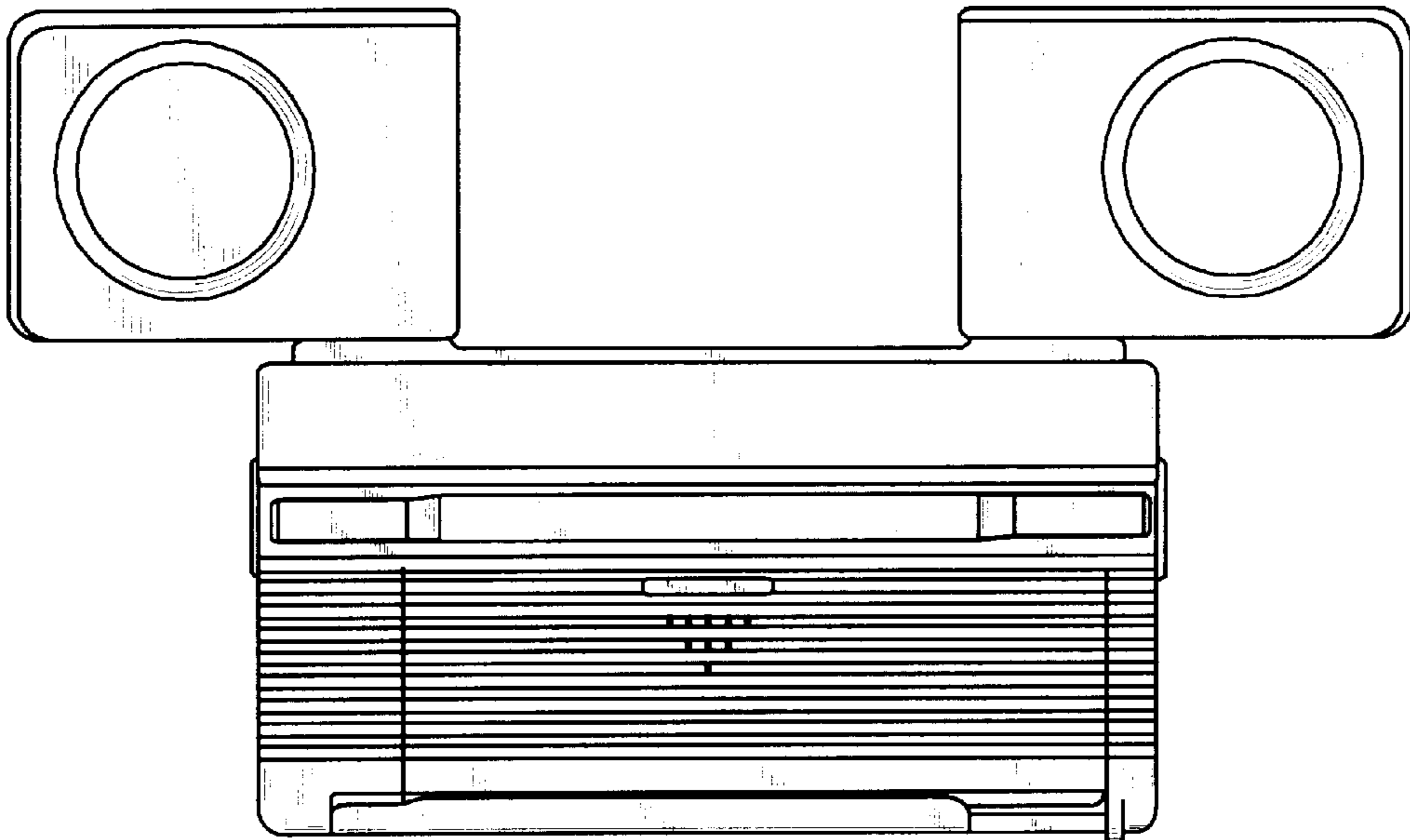
**Fig. 4**



**Fig. 5**



**Fig. 6**



**Fig. 7**