



US00D440555S

(12) **United States Design Patent**
Dietz et al.

(10) **Patent No.:** **US D440,555 S**

(45) **Date of Patent:** **** Apr. 17, 2001**

(54) **SPEAKER**

(75) Inventors: **David S. Dietz**, Camas, WA (US);
Joseph M. Westrup, Portland, OR (US)

(73) Assignee: **Cyber Acoustics, LLC**, Vancouver, WA (US)

(**) Term: **14 Years**

(21) Appl. No.: **29/125,974**

(22) Filed: **Jul. 5, 2000**

(51) **LOC (7) Cl.** **14-01**

(52) **U.S. Cl.** **D14/214**

(58) **Field of Search** D14/204, 207,
D14/210-216; 181/144-145, 147-148,
150, 153, 198-199; 381/300-302, 307,
332-336, 386

(56) **References Cited**

U.S. PATENT DOCUMENTS

D. 302,979 * 8/1989 Snders D14/214

D. 355,418 * 2/1995 Parsey D14/214

D. 378,591 * 3/1997 Brezovar D14/214

D. 416,259 * 11/1999 Hoyt et al. D14/214

4,805,730 * 2/1989 O'neill et al. 181/148

* cited by examiner

Primary Examiner—Nanda Bondade

(74) *Attorney, Agent, or Firm*—Chernoff, Vilhauer,
McClung & Stenzel, LLC

(57) **CLAIM**

The ornamental design for a speaker, as shown.

DESCRIPTION

FIG. 1 is a perspective view of the speaker embodying our new design.

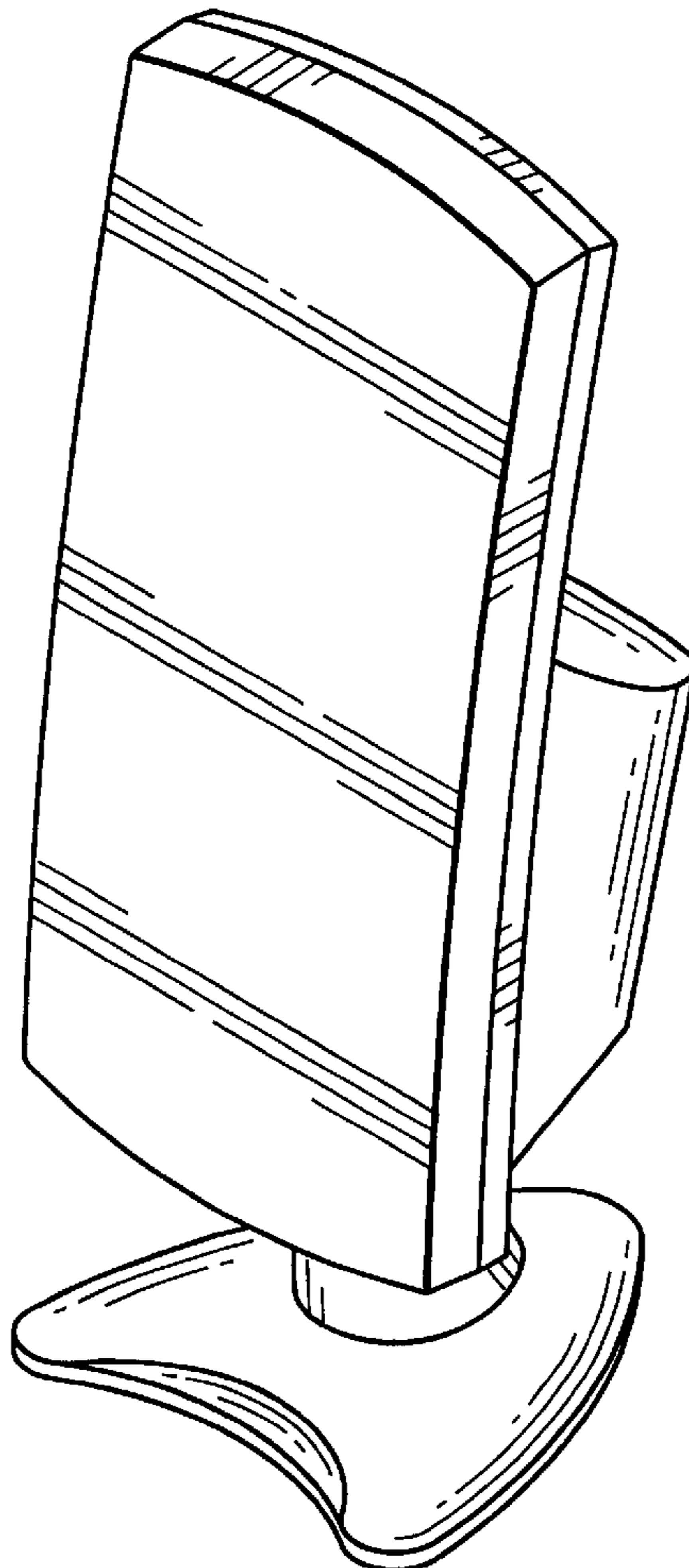
FIG. 2 is a front view thereof.

FIG. 3 is a side view thereof.

FIG. 4 is a rear view thereof; and,

FIG. 5 is a top view thereof.

1 Claim, 2 Drawing Sheets



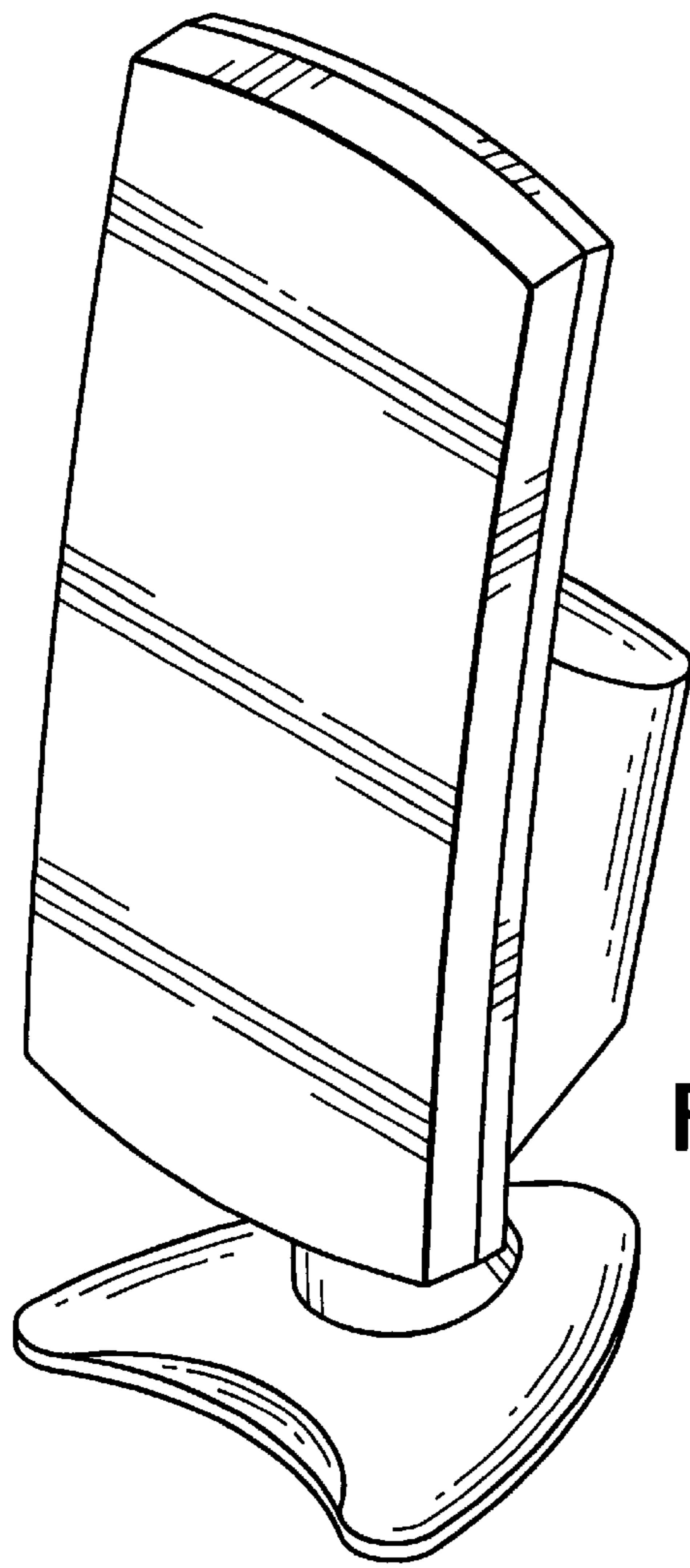


FIG. 1

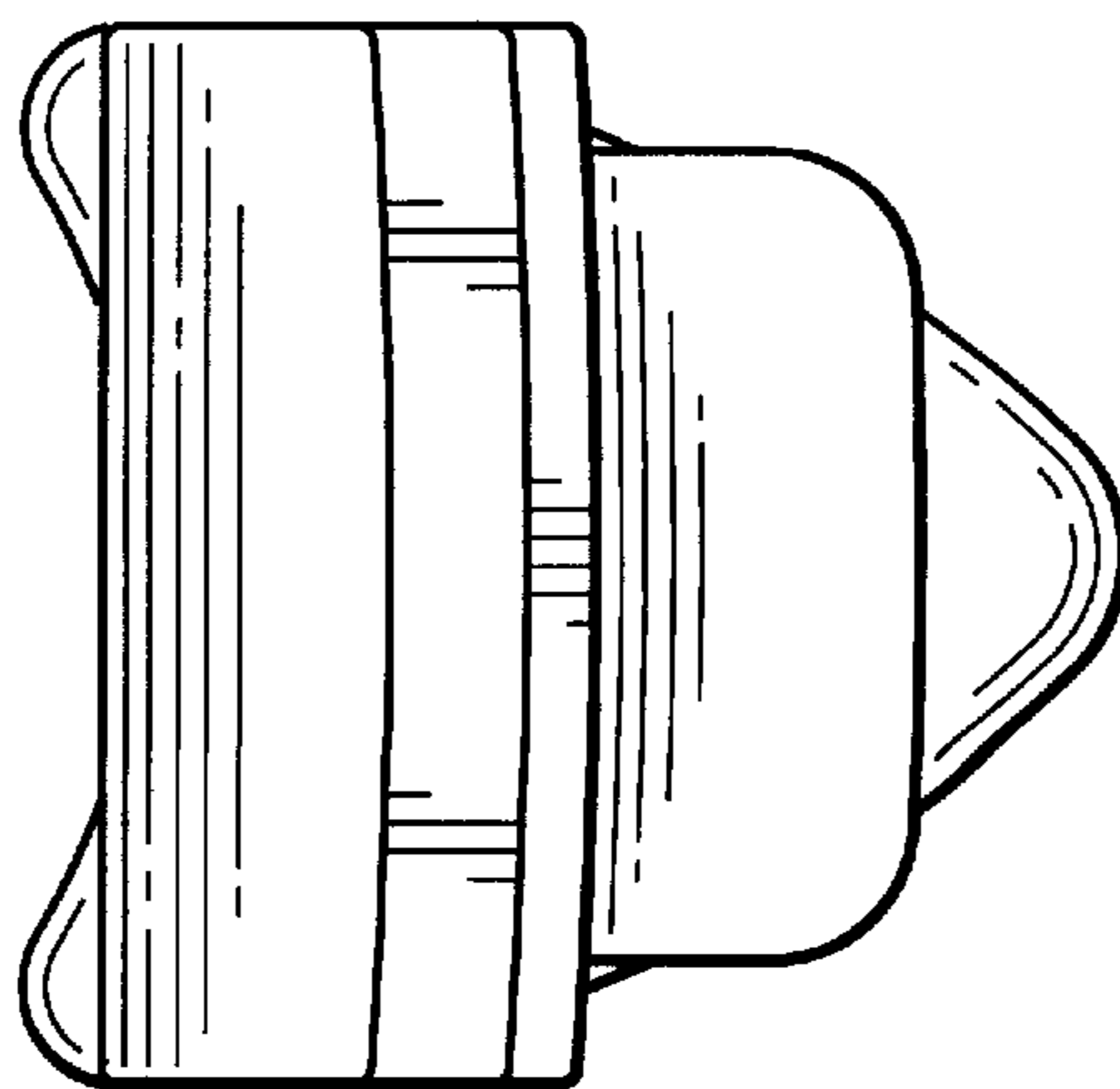


FIG. 5

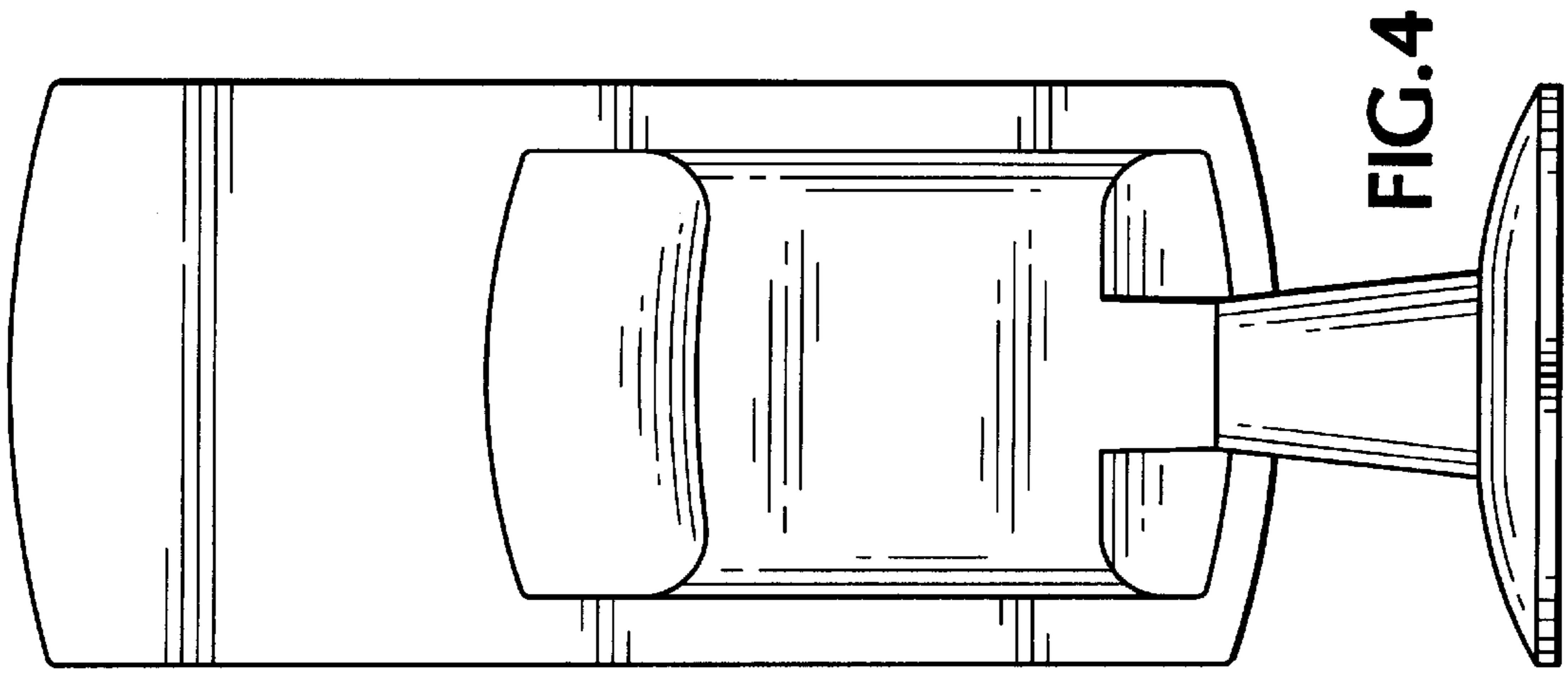


FIG. 4

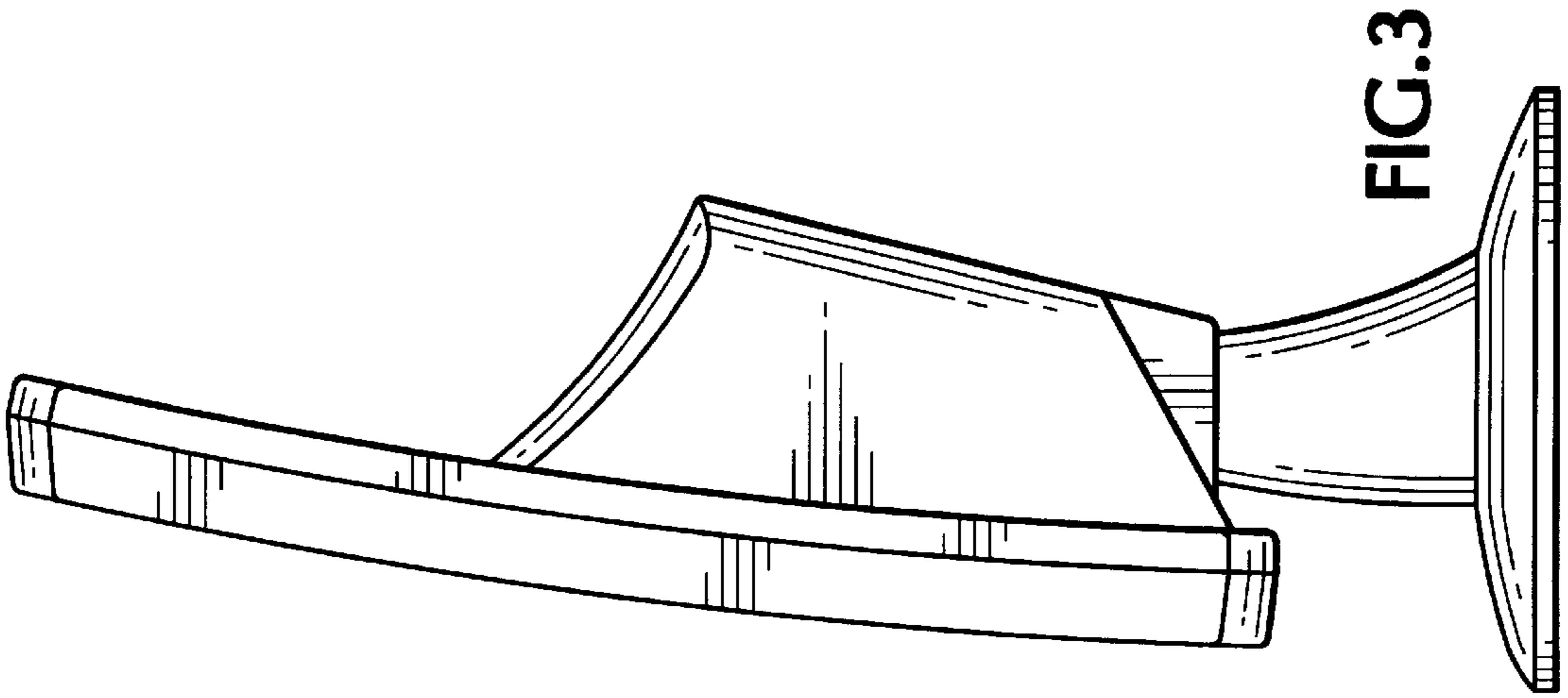


FIG. 3

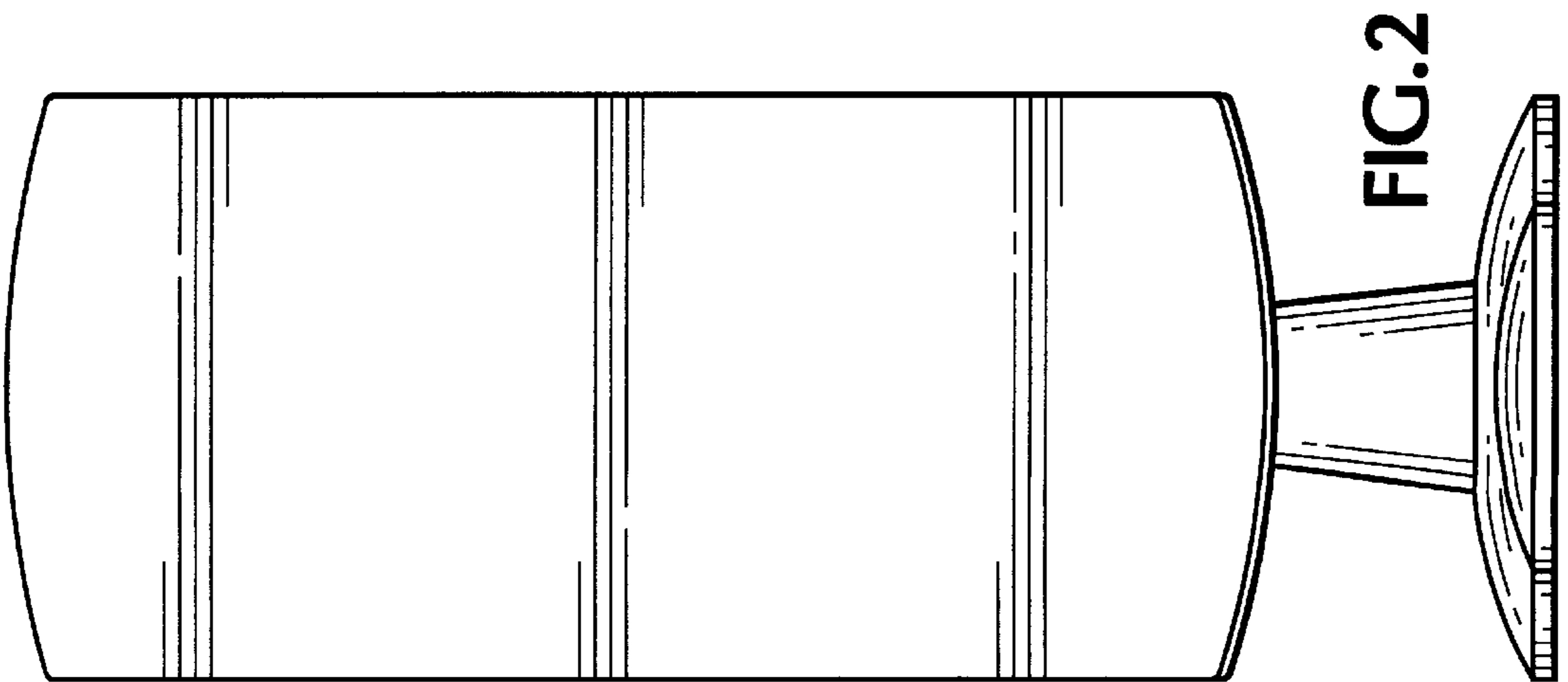


FIG. 2