



US00D440550S

(12) **United States Design Patent**
Nakano

(10) **Patent No.:** **US D440,550 S**
(45) **Date of Patent:** **** Apr. 17, 2001**

(54) **DISC PLAYER COMBINED WITH RADIO RECEIVER AND TAPE RECORDER**

5,146,618 * 9/1992 Wenner 455/345

OTHER PUBLICATIONS

(75) Inventor: **Rumi Nakano**, Tokyo (JP)

Catalog "78"; Sony; Nov. 1994.

(73) Assignee: **Sony Corporation**, Tokyo (JP)

Catalog "Sony Style"; 1998; p. 86.

(**) Term: **14 Years**

* cited by examiner

(21) Appl. No.: **29/119,083**

Primary Examiner—Nanda Bondade

(22) Filed: **Feb. 23, 2000**

(74) *Attorney, Agent, or Firm*—Rader, Fishman & Grauer

(30) **Foreign Application Priority Data**

(57) **CLAIM**

Aug. 23, 1999 (JP) 11-22545

The ornamental design for a disc player combined with radio receiver and tape recorder, as shown and described.

(51) **LOC (7) Cl.** **14-01**

DESCRIPTION

(52) **U.S. Cl.** **D14/168**

(58) **Field of Search** D14/124, 156,
D14/157, 162, 164, 168, 197, 198; 455/344,
347-351

FIG. 1 is a perspective view of the front portion of a disc player combined with a radio receiver and a tape recorder showing my design;

FIG. 2 is a top plan view thereof;

FIG. 3 is a bottom plan view thereof;

FIG. 4 is a left side elevational view thereof;

FIG. 5 is a right side elevational view thereof;

FIG. 6 is a front elevational view thereof; and,

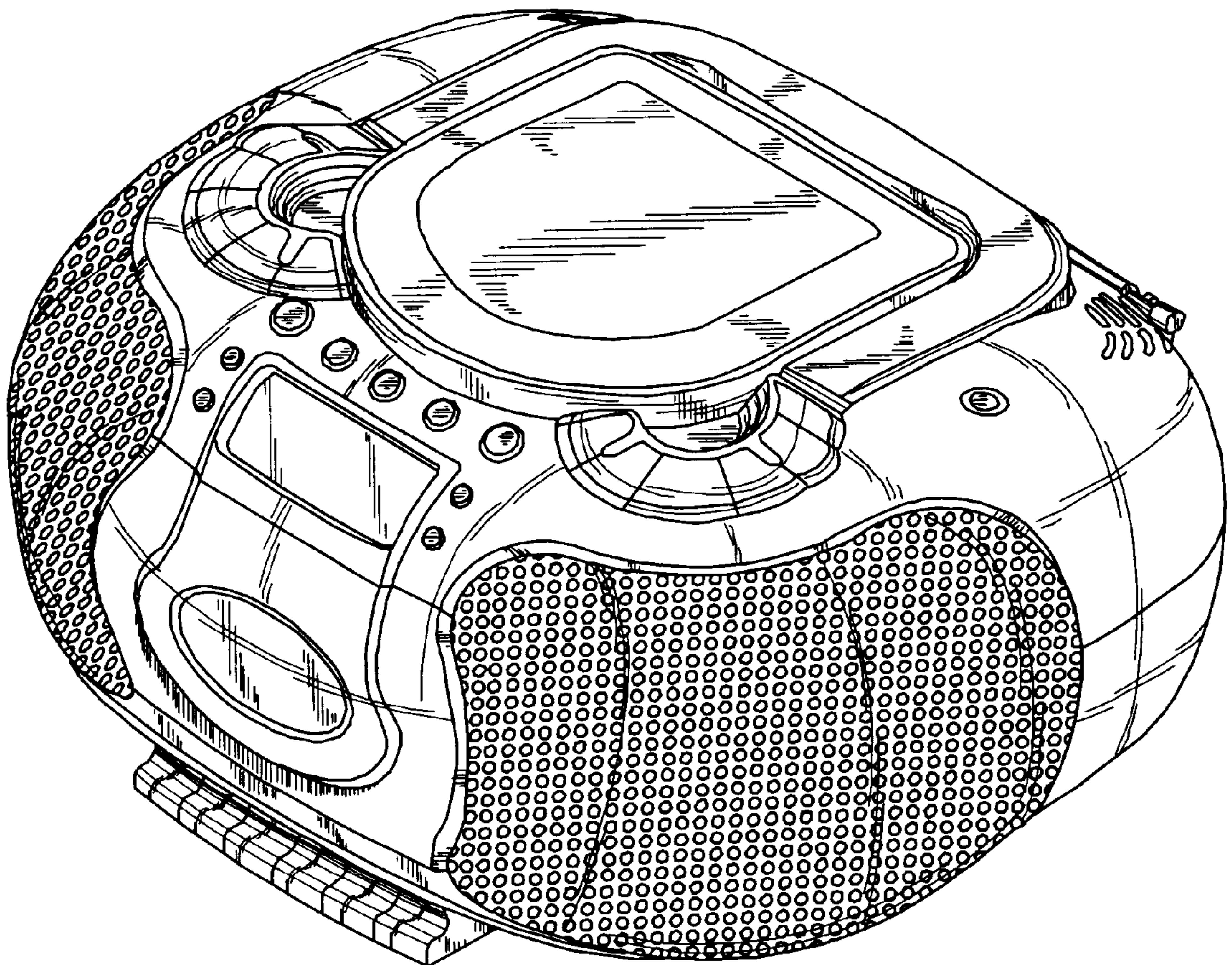
FIG. 7 is a rear elevational view thereof.

(56) **References Cited**

U.S. PATENT DOCUMENTS

- D. 329,850 * 9/1992 Kang D14/164
- D. 350,753 * 9/1994 Oka D14/156 X
- D. 366,658 * 1/1996 Fukutome D14/168
- D. 408,410 * 4/1999 Zeitman D14/162

1 Claim, 4 Drawing Sheets



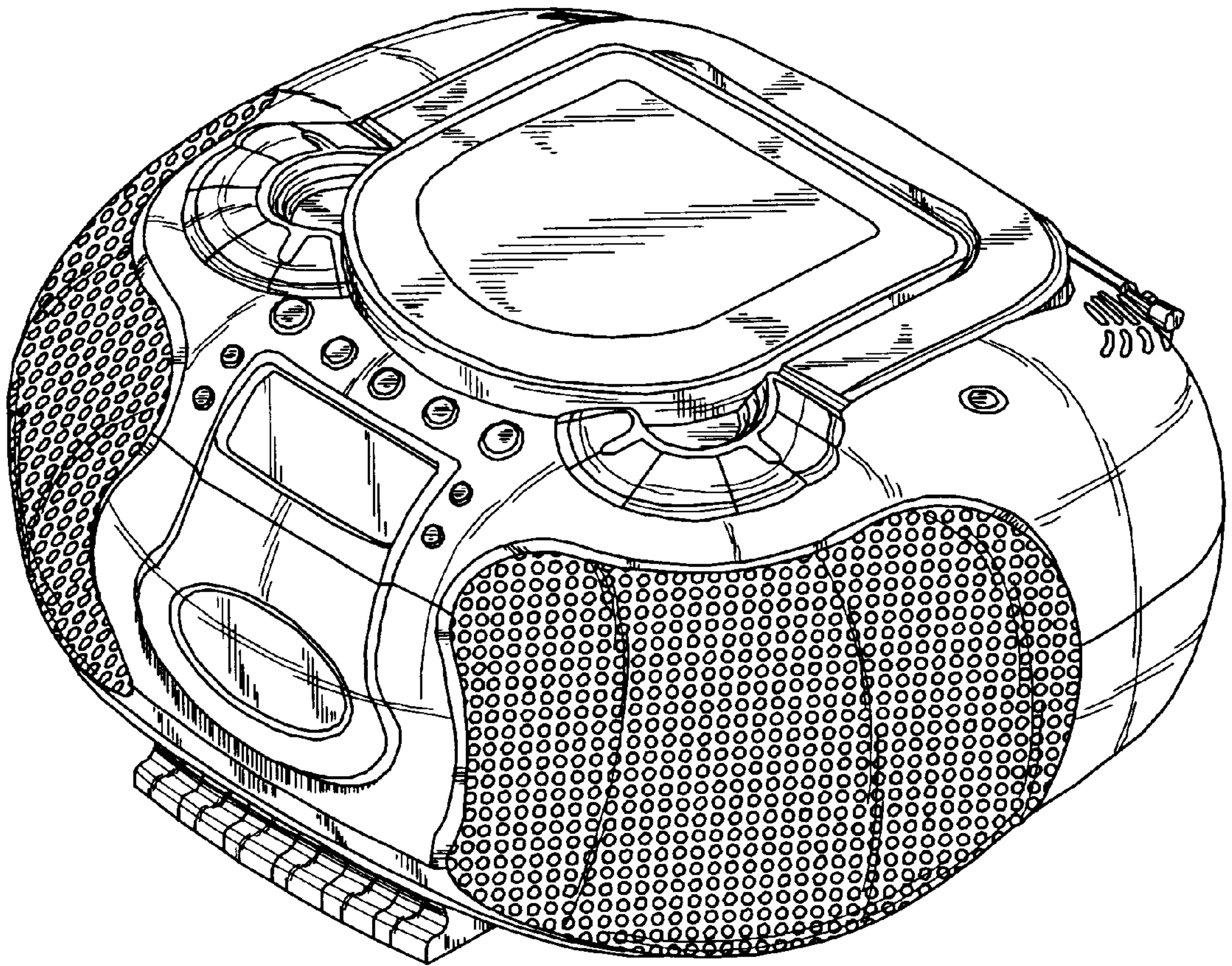


Fig. 1

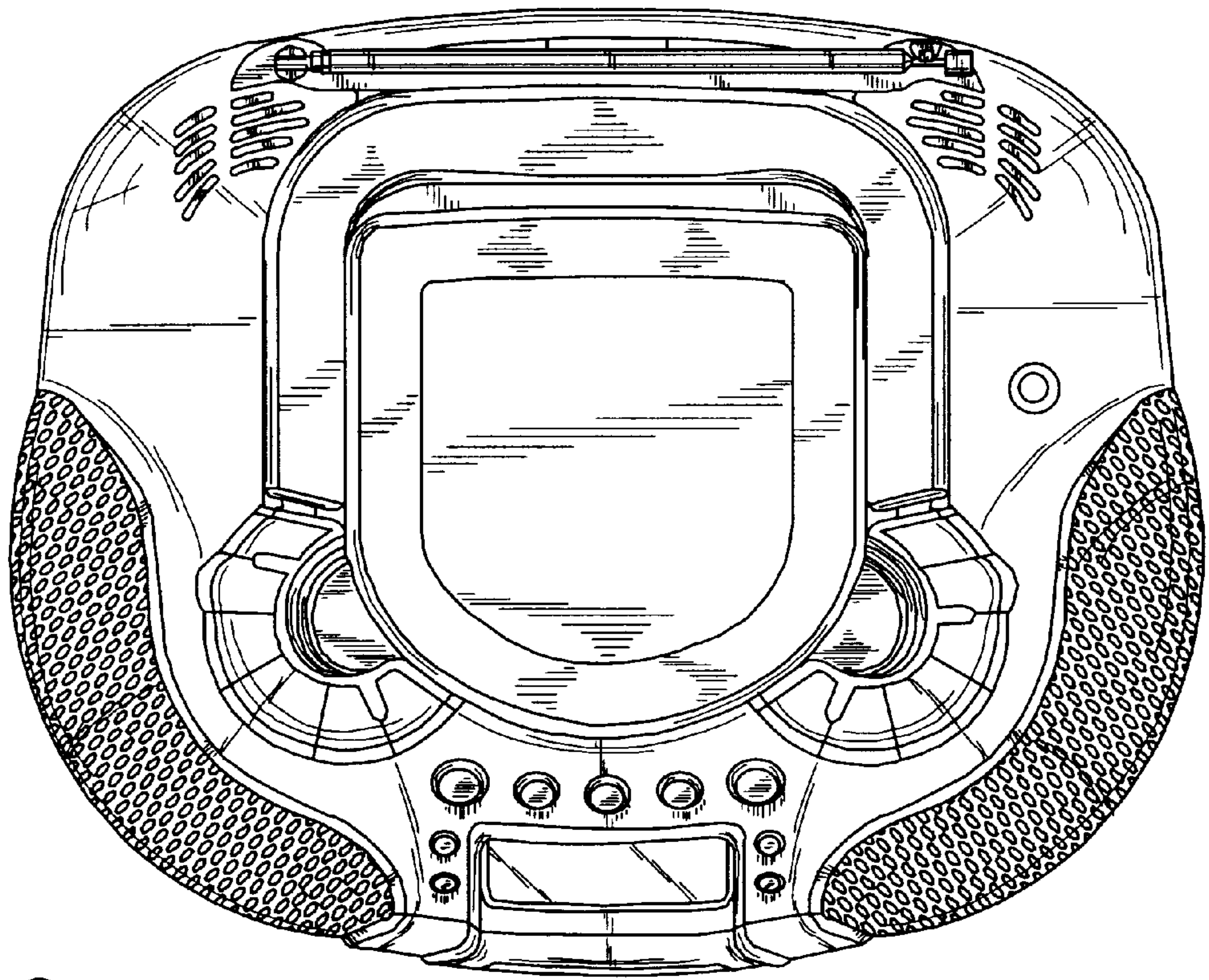


Fig. 2

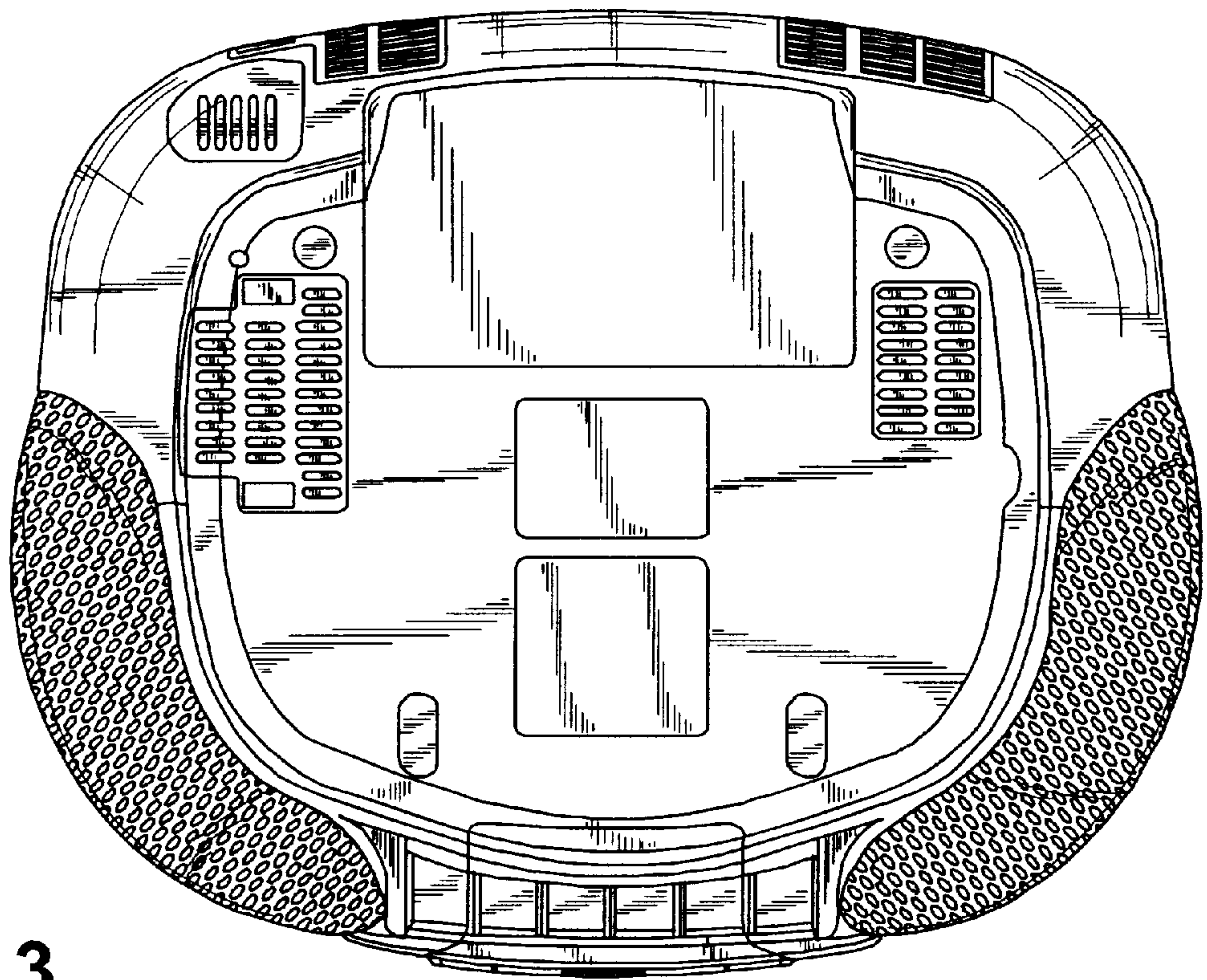


Fig. 3

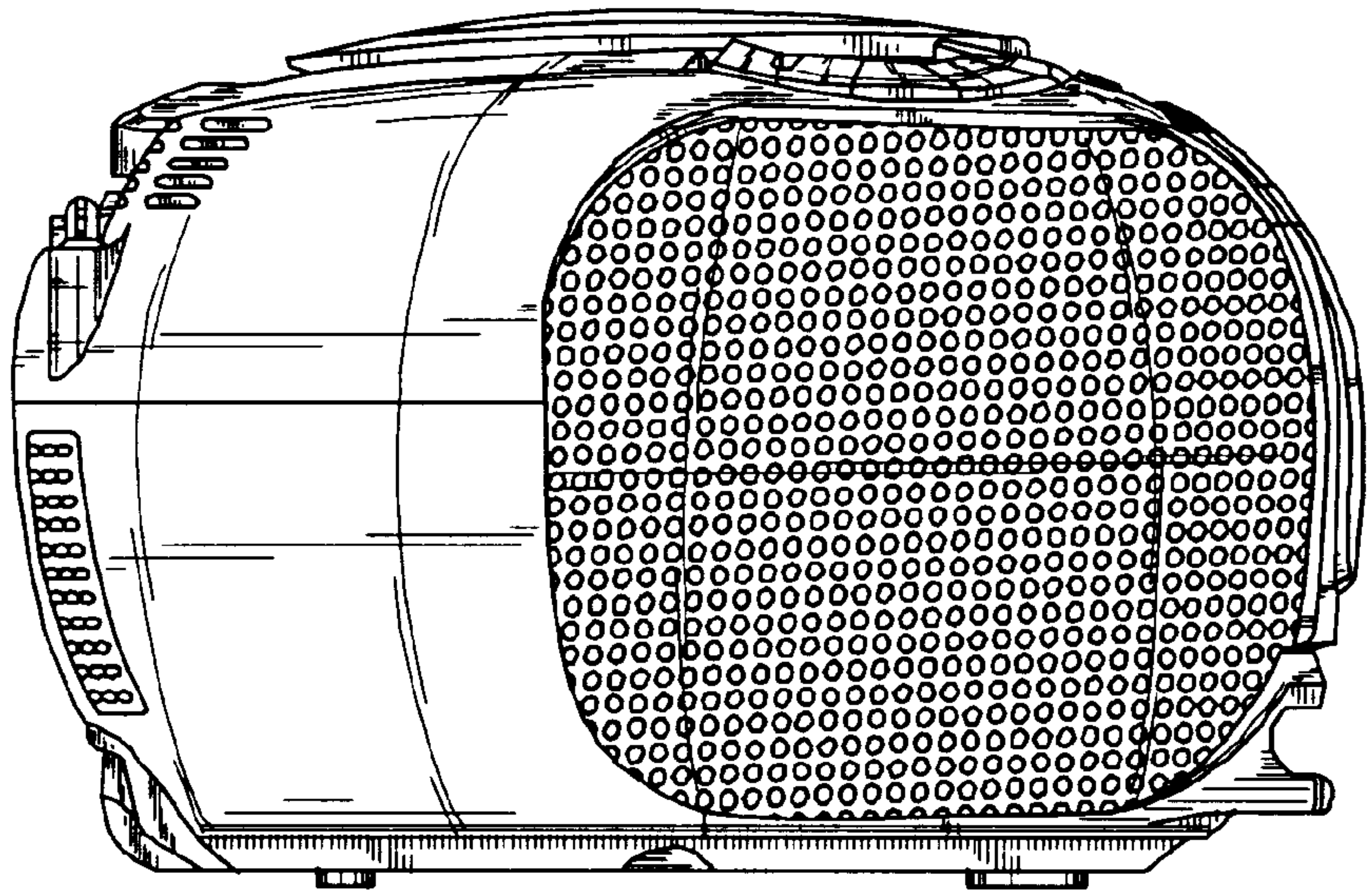


Fig. 4

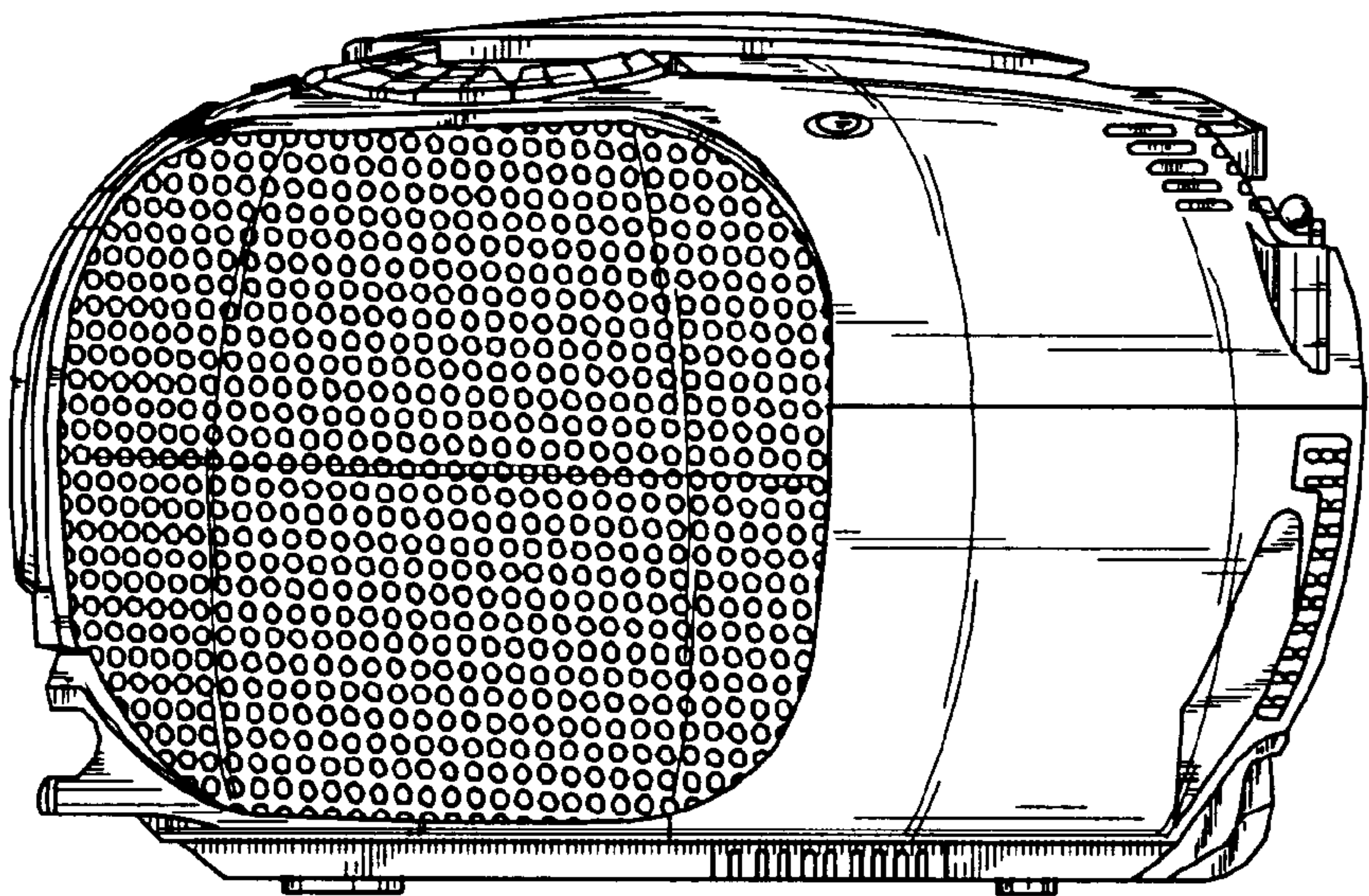


Fig. 5

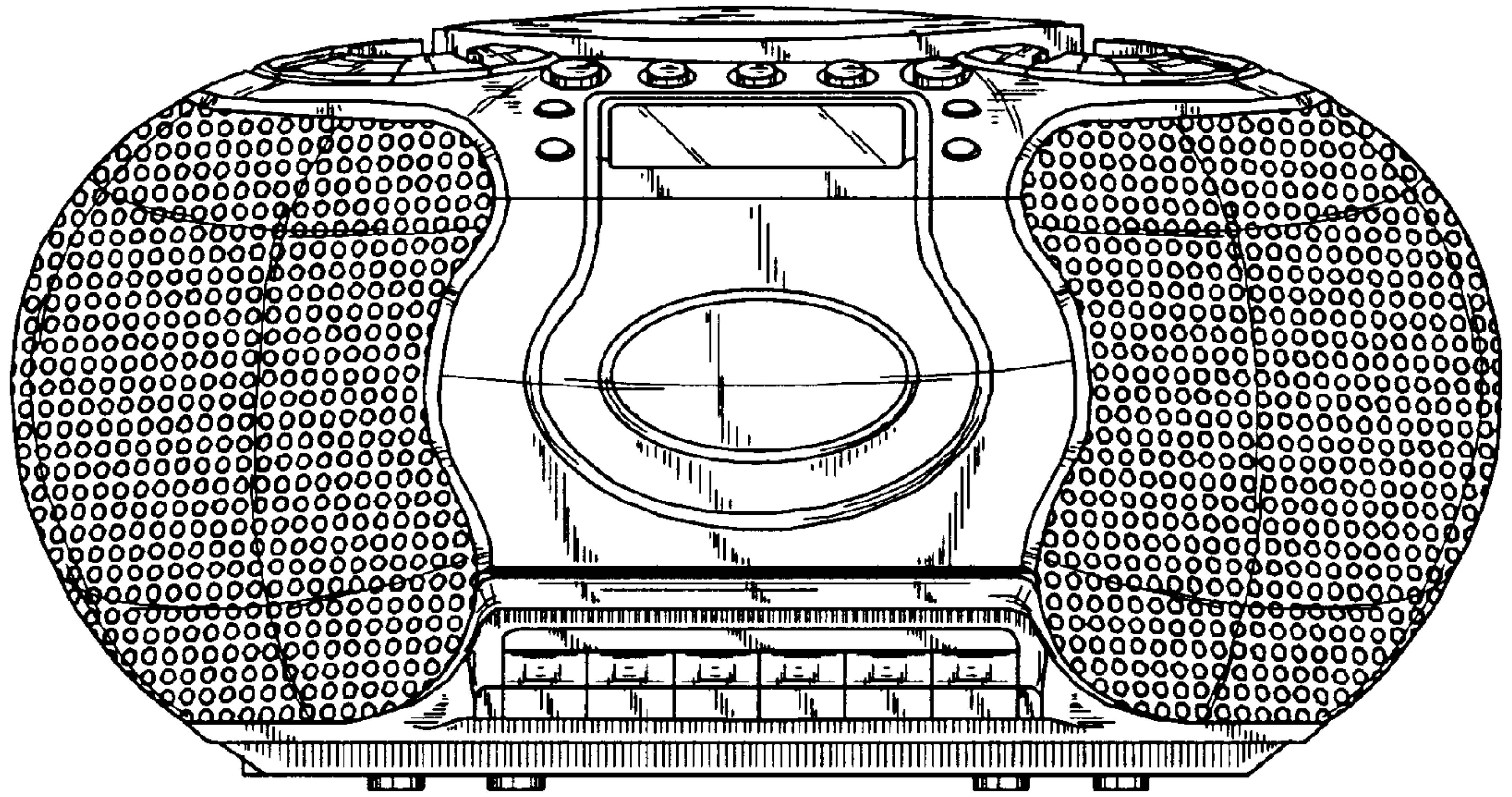


Fig. 6

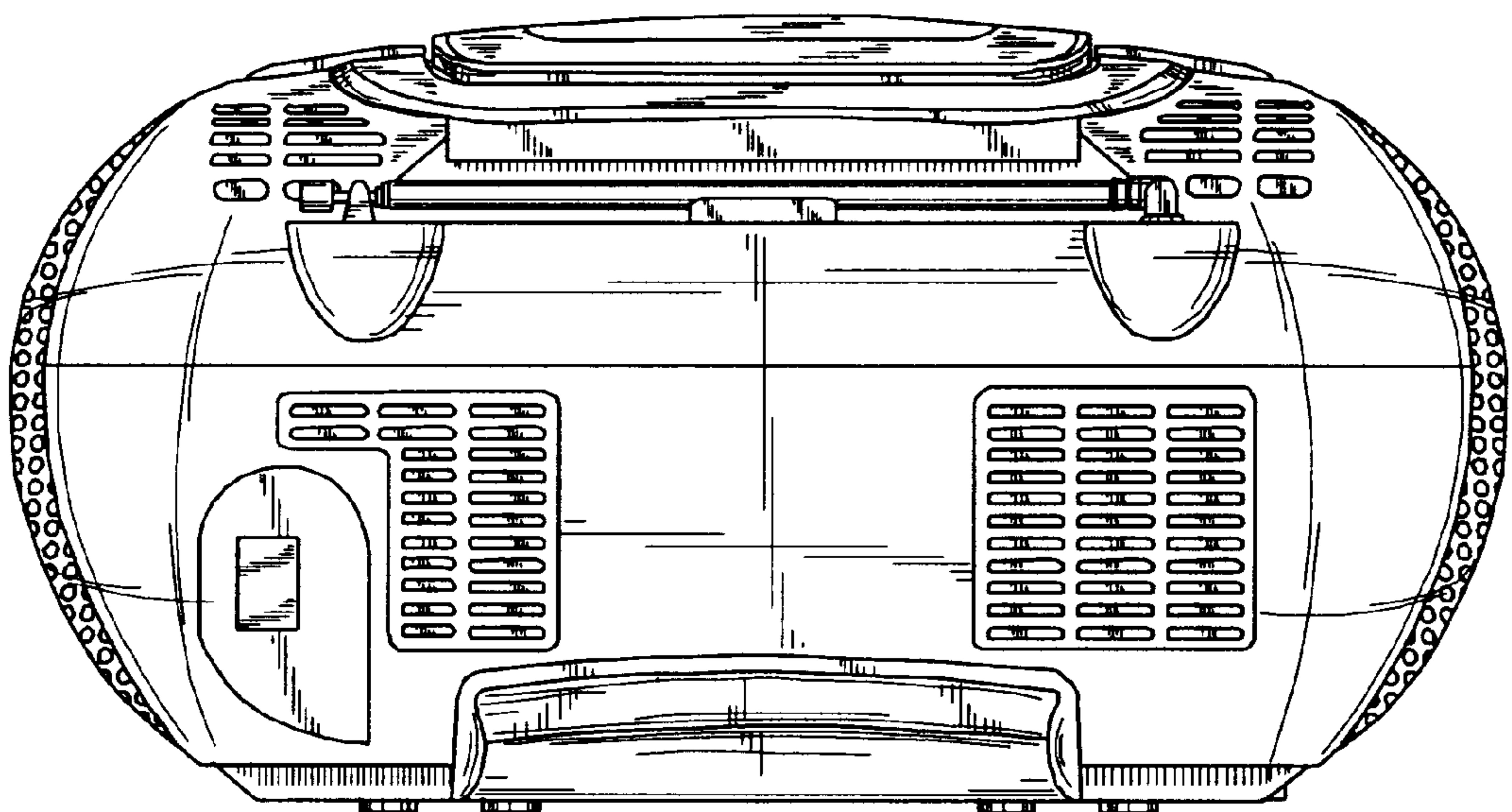


Fig. 7