



US00D440548S

(12) **United States Design Patent**
Kersh et al.

(10) **Patent No.:** **US D440,548 S**

(45) **Date of Patent:** **** Apr. 17, 2001**

(54) **ELECTRONIC DOOR MESSAGE SYSTEM**

(76) Inventors: **Nigel Kersh**, 9A Gladys Road, West Hampstead, London NW6 2PU; **Bhikhu A Unvala**, 33 Bedford Gardens, London W8 7EF, both of (GB)

(**) Term: **14 Years**

(21) Appl. No.: **29/118,917**

(22) Filed: **Feb. 18, 2000**

(51) **LOC (7) Cl.** **14-03**

(52) **U.S. Cl.** **D14/159**

(58) **Field of Search** D10/104, 106, D10/116, 121, 118; D14/124, 154, 155, 159, 167-168; 340/384.1, 384.2, 384.3, 384.4, 384.5, 384.6, 384.7

(56) **References Cited**

U.S. PATENT DOCUMENTS

- D. 339,130 9/1993 Johnson .
- D. 345,040 * 3/1994 Hollins D99/33
- D. 391,510 * 3/1998 Leo et al. D14/159
- D. 415,444 * 10/1999 Money et al. D10/118
- D. 426,537 * 6/2000 Swinney D14/154
- 4,868,540 9/1989 Housley .

- 5,148,468 9/1992 Marrick et al. .
- 5,210,520 5/1993 Housley .
- 5,570,083 10/1996 Johnson .
- 5,774,039 6/1998 Housley .
- 5,973,591 * 10/1999 Schwartz et al. 340/384.7

* cited by examiner

Primary Examiner—Nanda Bondade

(57) **CLAIM**

The ornamental design for a electronic door message system, as shown and described.

DESCRIPTION

FIG. 1 is a front elevational view of the electronic door message system of the present invention;
 FIG. 2 is a rear elevational view of the electronic door message system of FIG. 1;
 FIG. 3 is a left side elevational view of the electronic door message system of FIG. 1;
 FIG. 4 is a right side elevational view of the electronic door message system of FIG. 1;
 FIG. 5 is a top plan view of the electronic door message system of FIG. 1; and,
 FIG. 6 is a bottom plan view of the electronic door message system of FIG. 1.

1 Claim, 3 Drawing Sheets

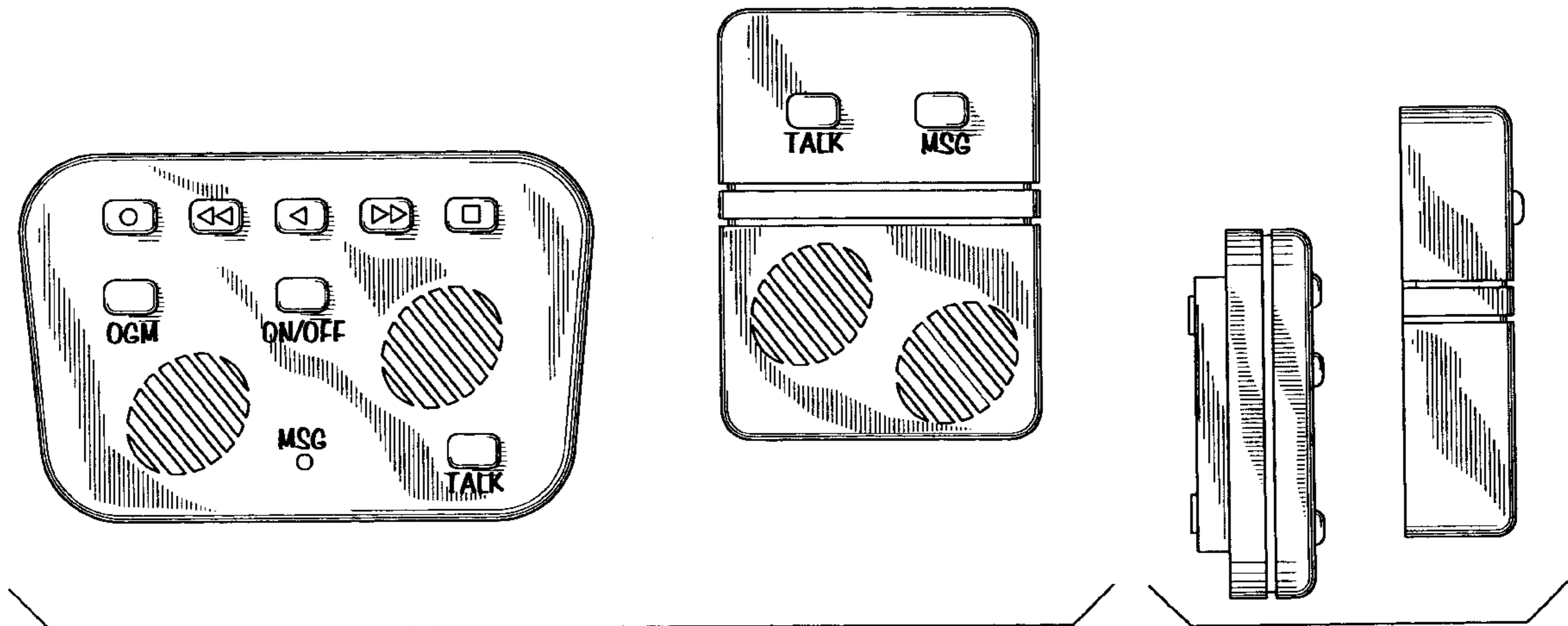


FIG. 1

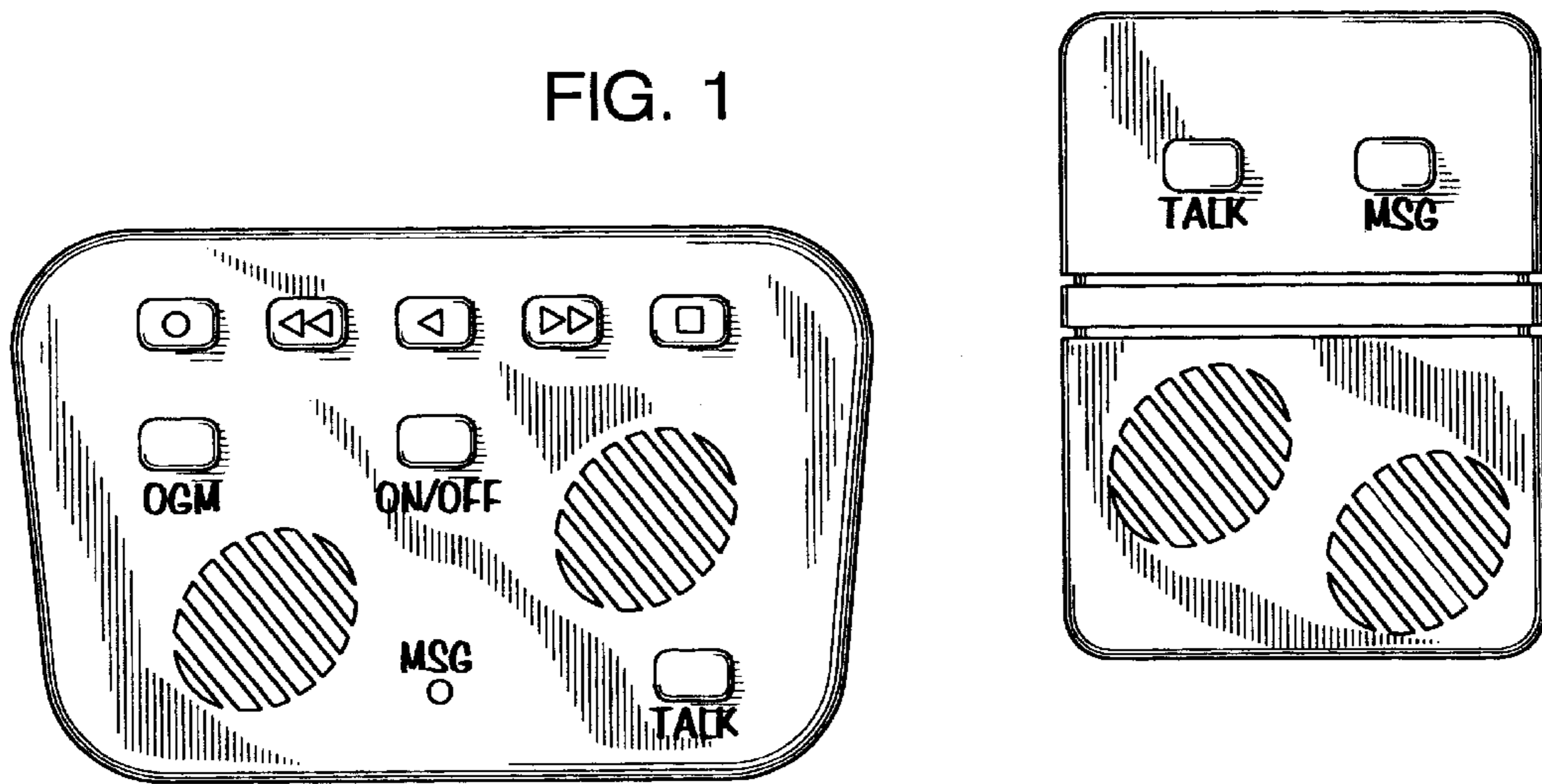


FIG. 2

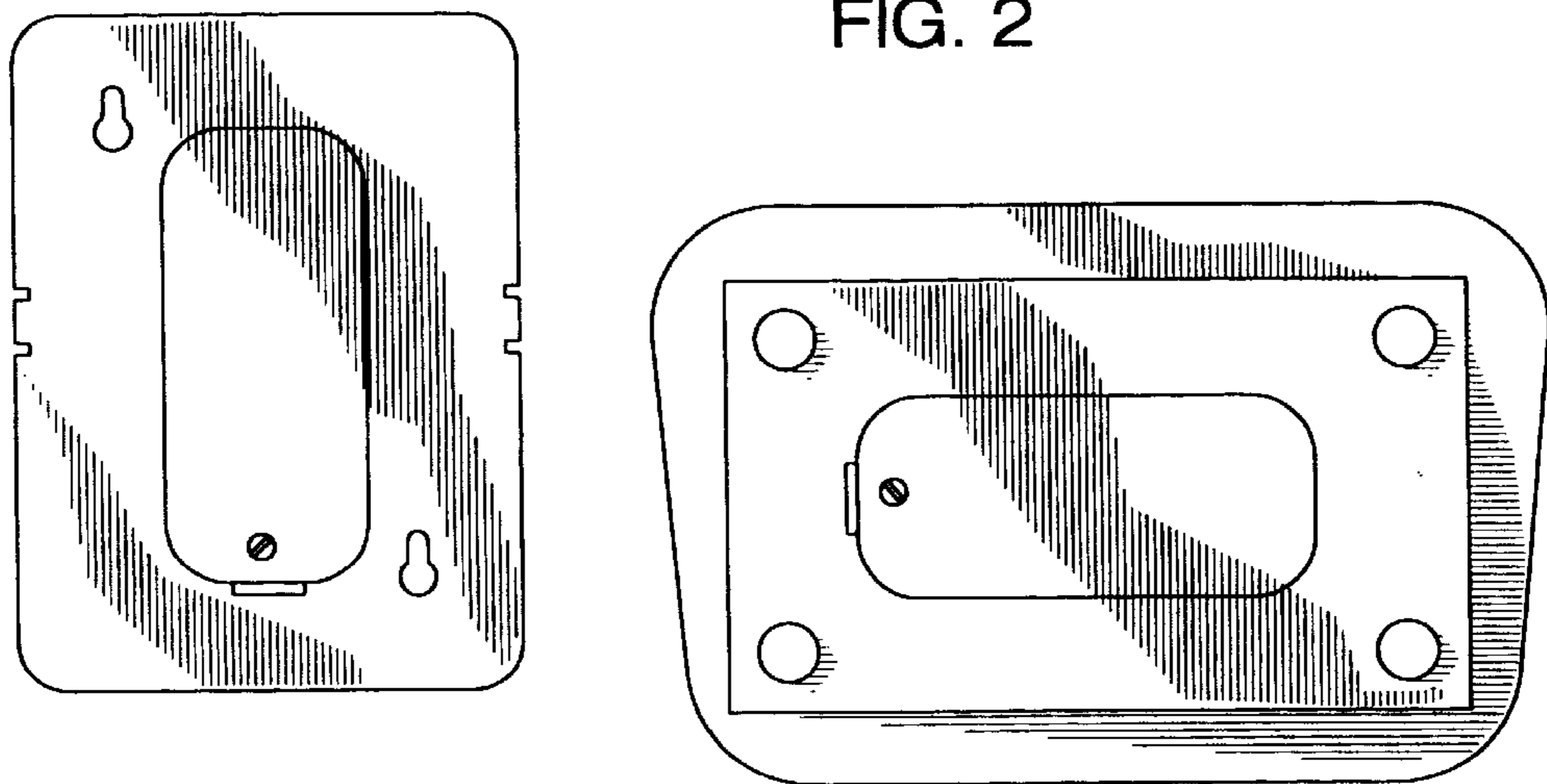


FIG. 3

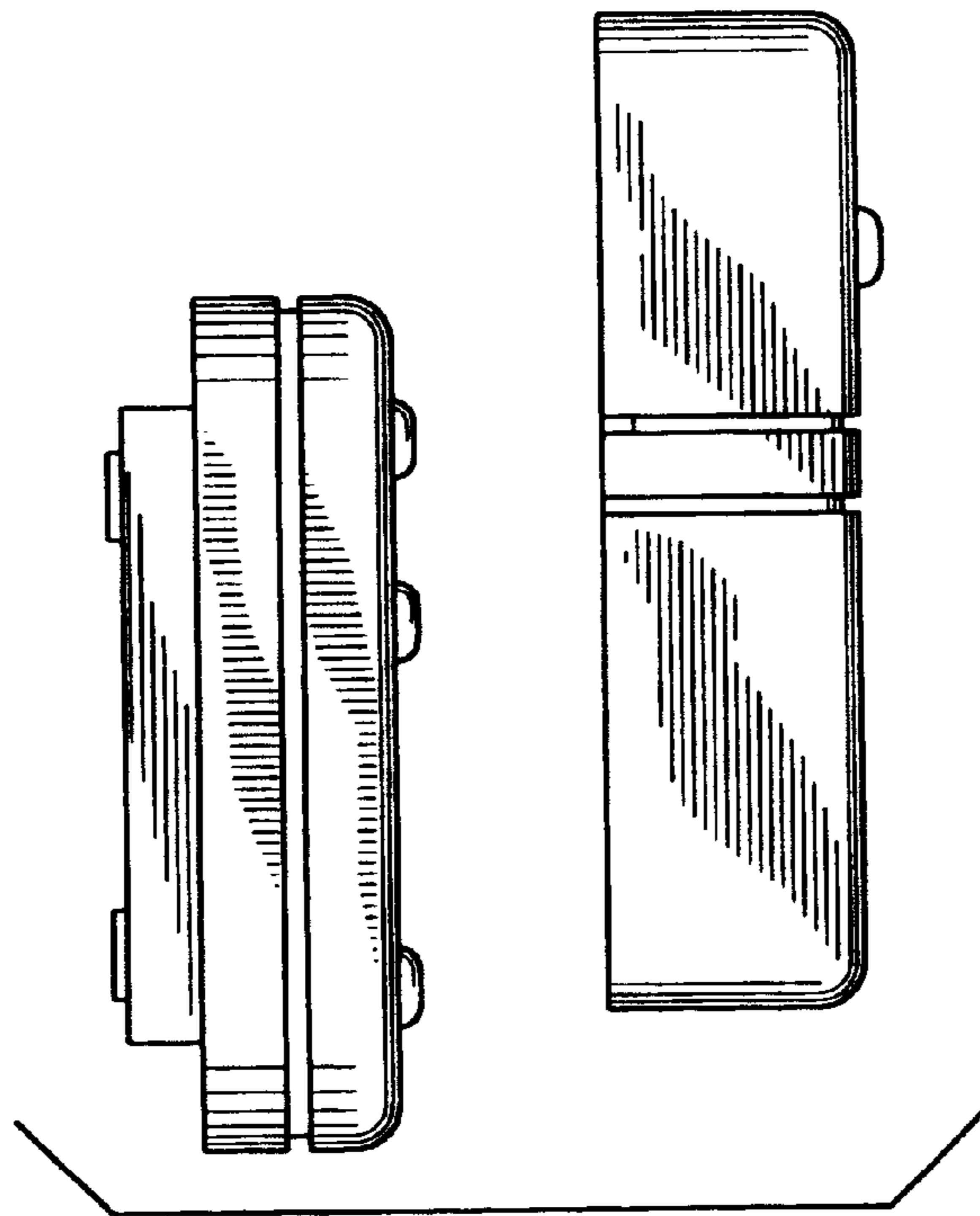


FIG. 4

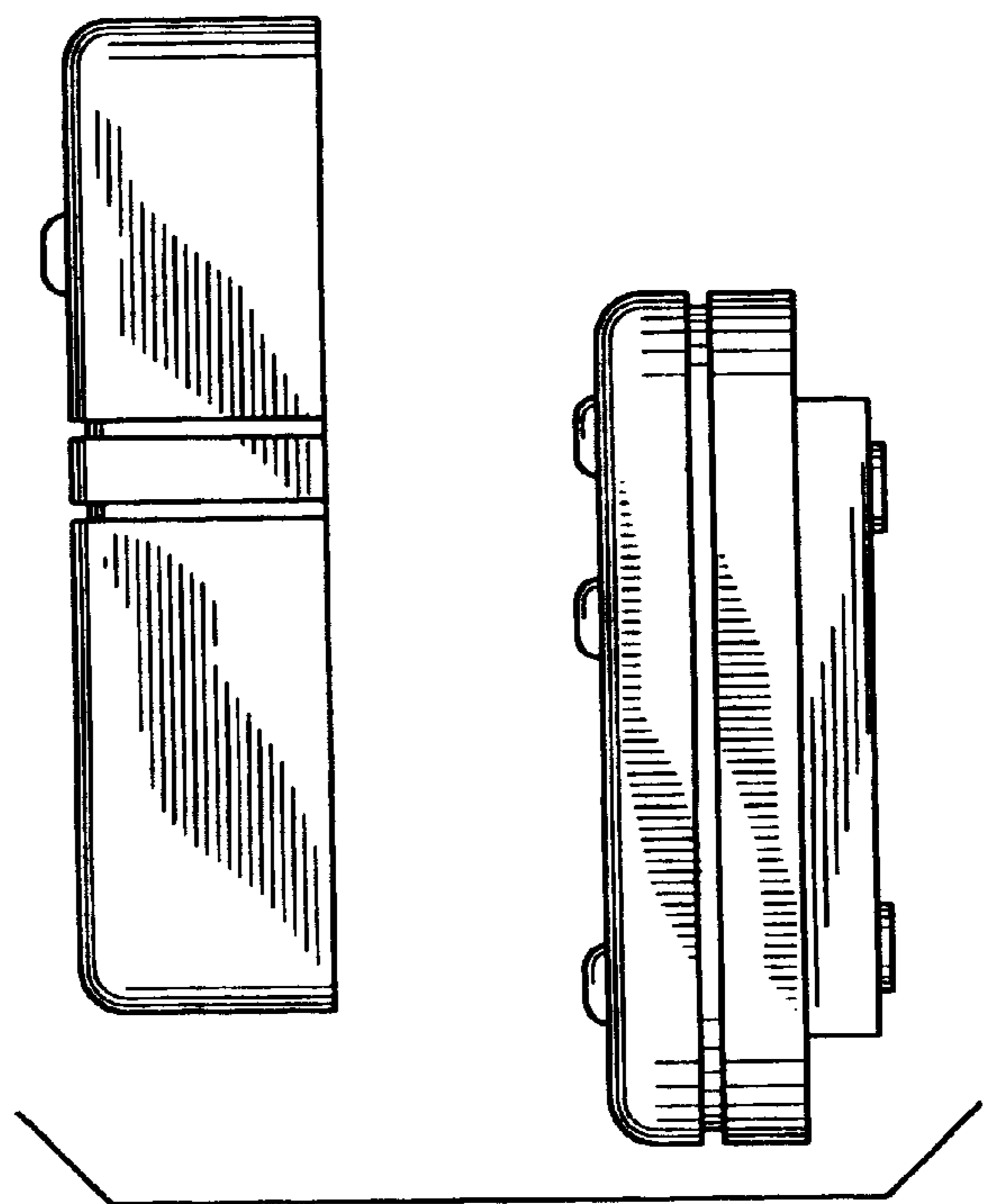


FIG. 5

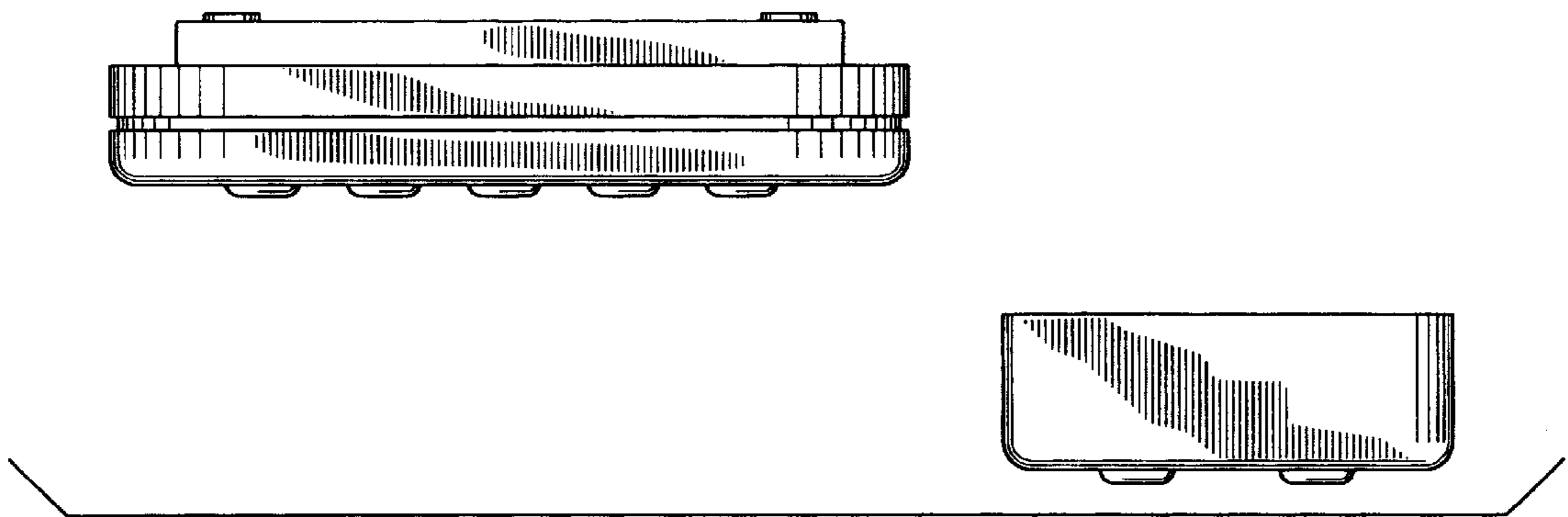


FIG. 6

