



US00D440543S

(12) **United States Design Patent**
Kodimer

(10) **Patent No.:** **US D440,543 S**

(45) **Date of Patent:** **** Apr. 17, 2001**

(54) **QUADRUPLE DISPLAY ERGONOMIC CONTROL CONSOLE**

D. 401,227 * 11/1998 Catta D14/373
D. 415,744 * 10/1999 Carter et al. D14/127
5,537,127 * 7/1996 Jingu D14/373
5,926,153 * 7/1999 Ohishi 345/1

(75) **Inventor:** **Dennis A. Kodimer**, Scottsdale, AZ
(US)

* cited by examiner

(73) **Assignee:** **Honeywell International Inc.**,
Morristown, NJ (US)

Primary Examiner—Raphael Barkai
(74) *Attorney, Agent, or Firm*—Anthony Miologos

(**) **Term:** **14 Years**

(57) **CLAIM**

(21) **Appl. No.:** **29/115,247**

The ornamental design for a quadruple display ergonomic control console, as shown.

(22) **Filed:** **Dec. 9, 1999**

(51) **LOC (7) Cl.** **14-03**

(52) **U.S. Cl.** **D14/127**

(58) **Field of Search** D14/373, 371,
D14/306, 126, 127, 129; 248/917, 918;
345/1; 348/180, 184, 739

DESCRIPTION

FIG. 1 is a front side perspective view of a quadruple display ergonomic control console showing my new design;

FIG. 2 is right side perspective view thereof, the left side view being a mirror image of the side shown; and,

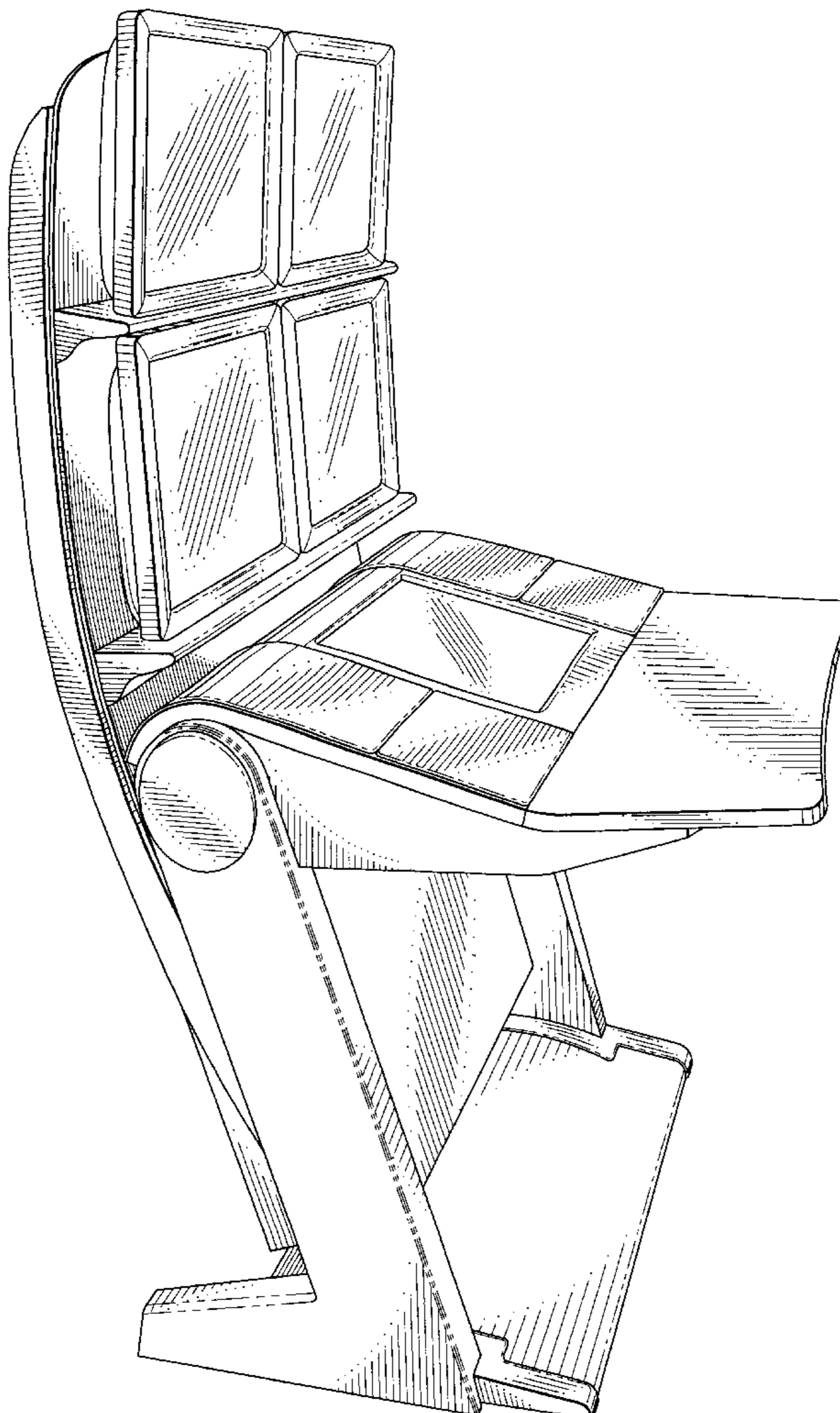
FIG. 3 is back side perspective view thereof.

(56) **References Cited**

U.S. PATENT DOCUMENTS

D. 372,226 * 7/1996 Maguire, Jr. D14/127

1 Claim, 3 Drawing Sheets



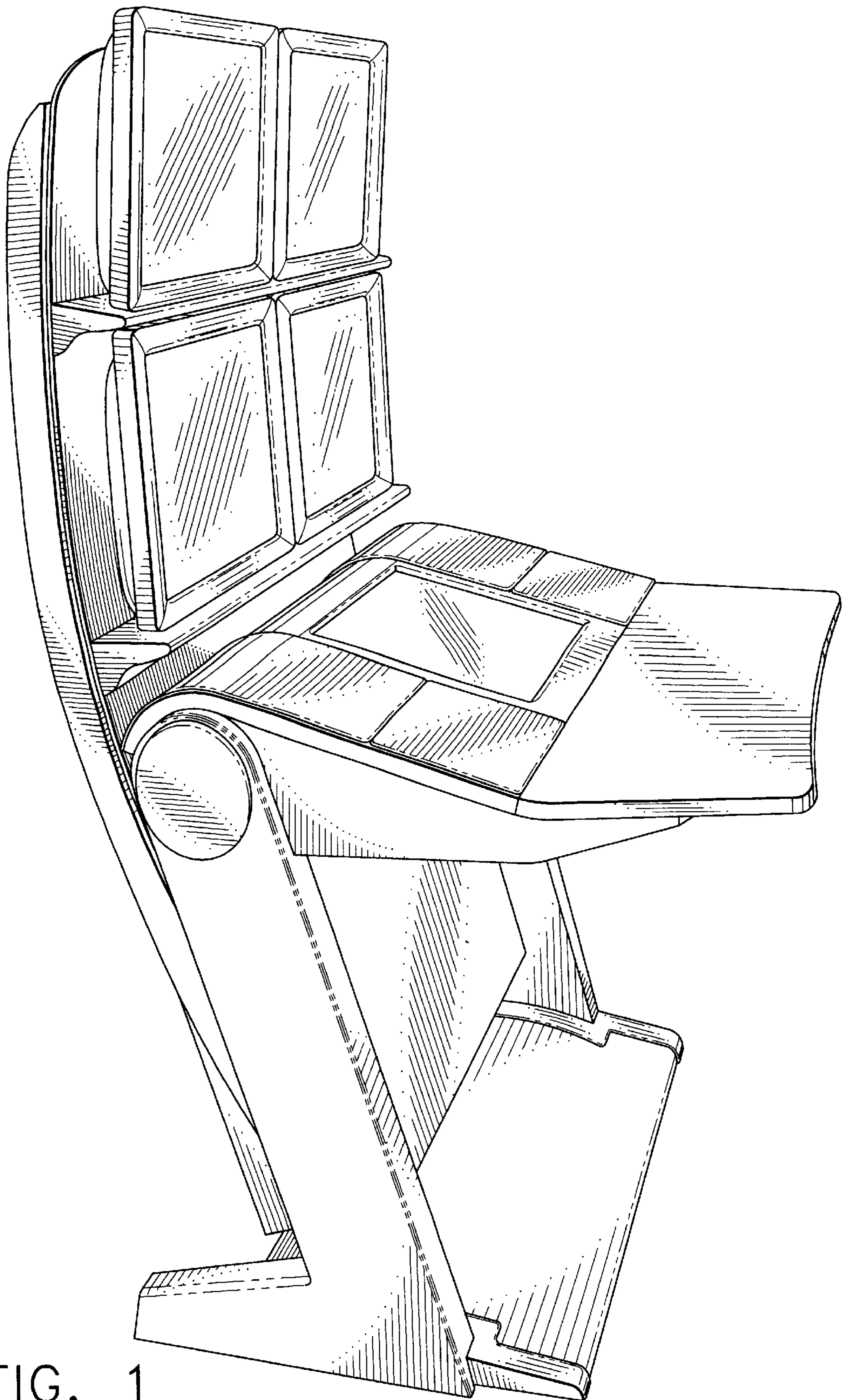


FIG. 1

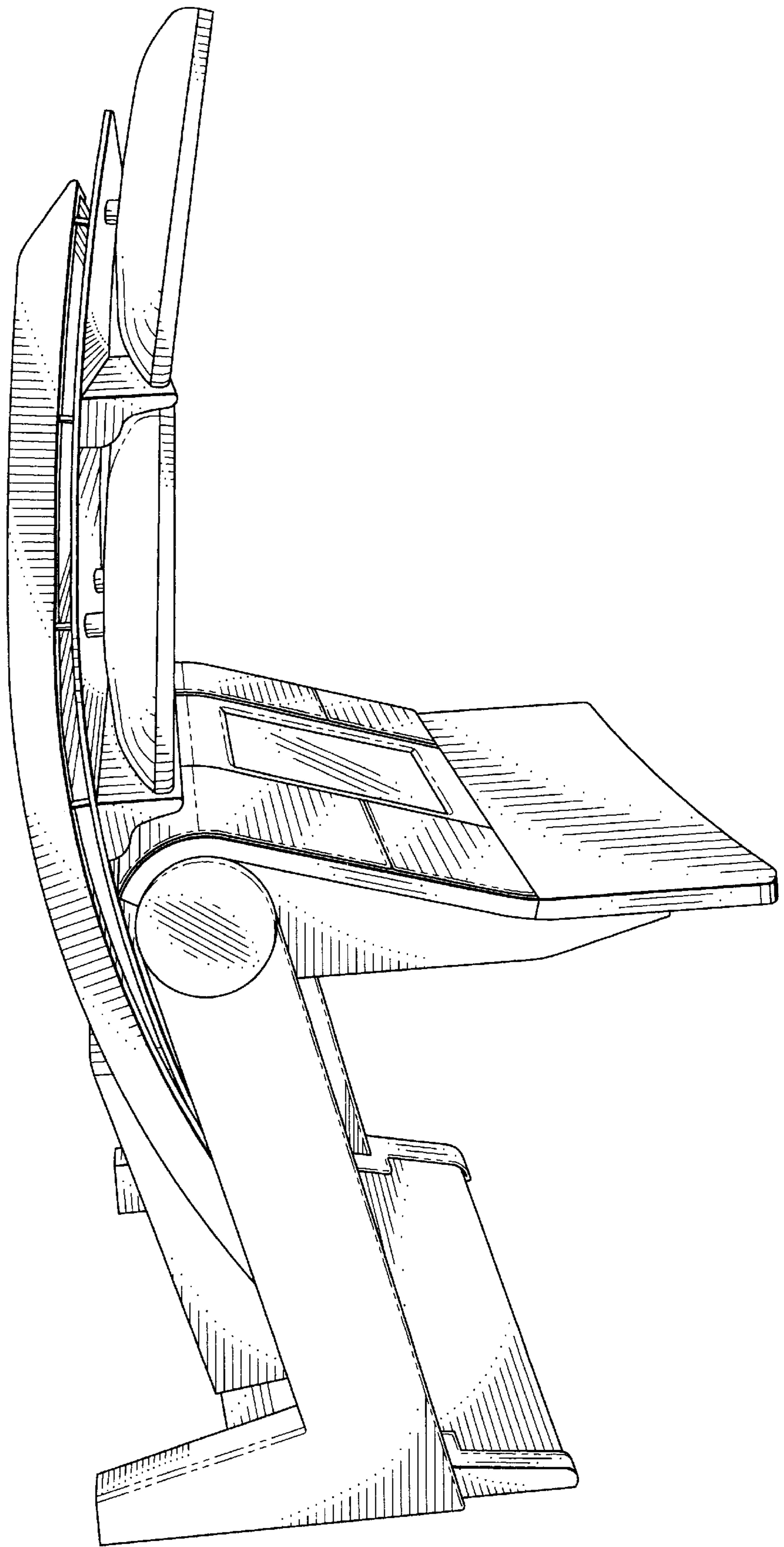


FIG. 2

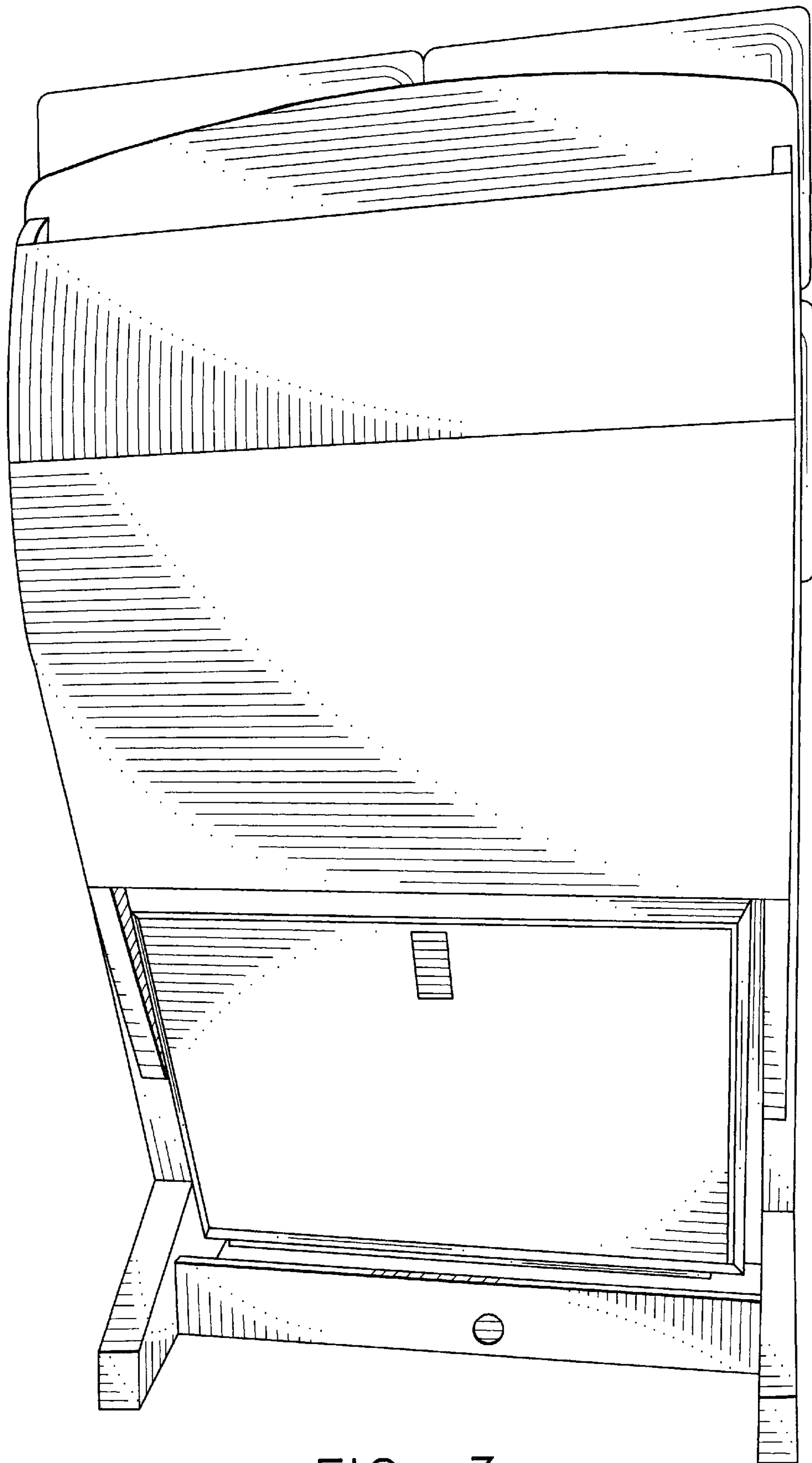


FIG. 3