



US00D440542S

(12) **United States Design Patent**
Hawkins et al.

(10) **Patent No.:** **US D440,542 S**

(45) **Date of Patent:** **** Apr. 17, 2001**

(54) **POCKET-SIZE ORGANIZER WITH STAND**

(75) Inventors: **Jeffrey C. Hawkins**, Redwood City;
Robert Yuji Haitani, San Jose;
Malcolm Sloan Smith, Palo Alto;
Gisela Schmoll, San Francisco, all of
CA (US)

(73) Assignee: **Palm Computing, Inc.**, Mountain
View, CA (US)

(*) Notice: This patent is subject to a terminal dis-
claimer.

(**) Term: **14 Years**

(21) Appl. No.: **29/061,939**

(22) Filed: **Nov. 4, 1996**

(51) **LOC (7) Cl.** **14-02**

(52) **U.S. Cl.** **D14/100**

(58) **Field of Search** D14/100, 106,
D14/113, 115; D18/7, 2, 1; 178/18, 19;
235/145 A, 145 R; 341/22, 23; 345/156,
168, 169, 172, 173; 364/708.1; D19/65,
78, 76; 434/201; 248/918-924

(56) **References Cited**

U.S. PATENT DOCUMENTS

D. 355,644 * 2/1995 Risko D14/100

D. 365,850 * 1/1996 Romans D19/78 X
D. 367,647 * 3/1996 Faggard et al. D14/100
5,555,157 * 9/1996 Mollert et al. D14/100 X

* cited by examiner

Primary Examiner—Freda Nunn

(74) *Attorney, Agent, or Firm*—Fish & Richardson P.C.

(57) **CLAIM**

The ornamental design for a pocket-size organizer with
stand, as shown and described.

DESCRIPTION

FIG. 1 is a perspective view of the pocket-size organizer
with stand;

FIG. 2 is a left side view thereof;

FIG. 3 is a front perspective view thereof;

FIG. 4 is a front view thereof;

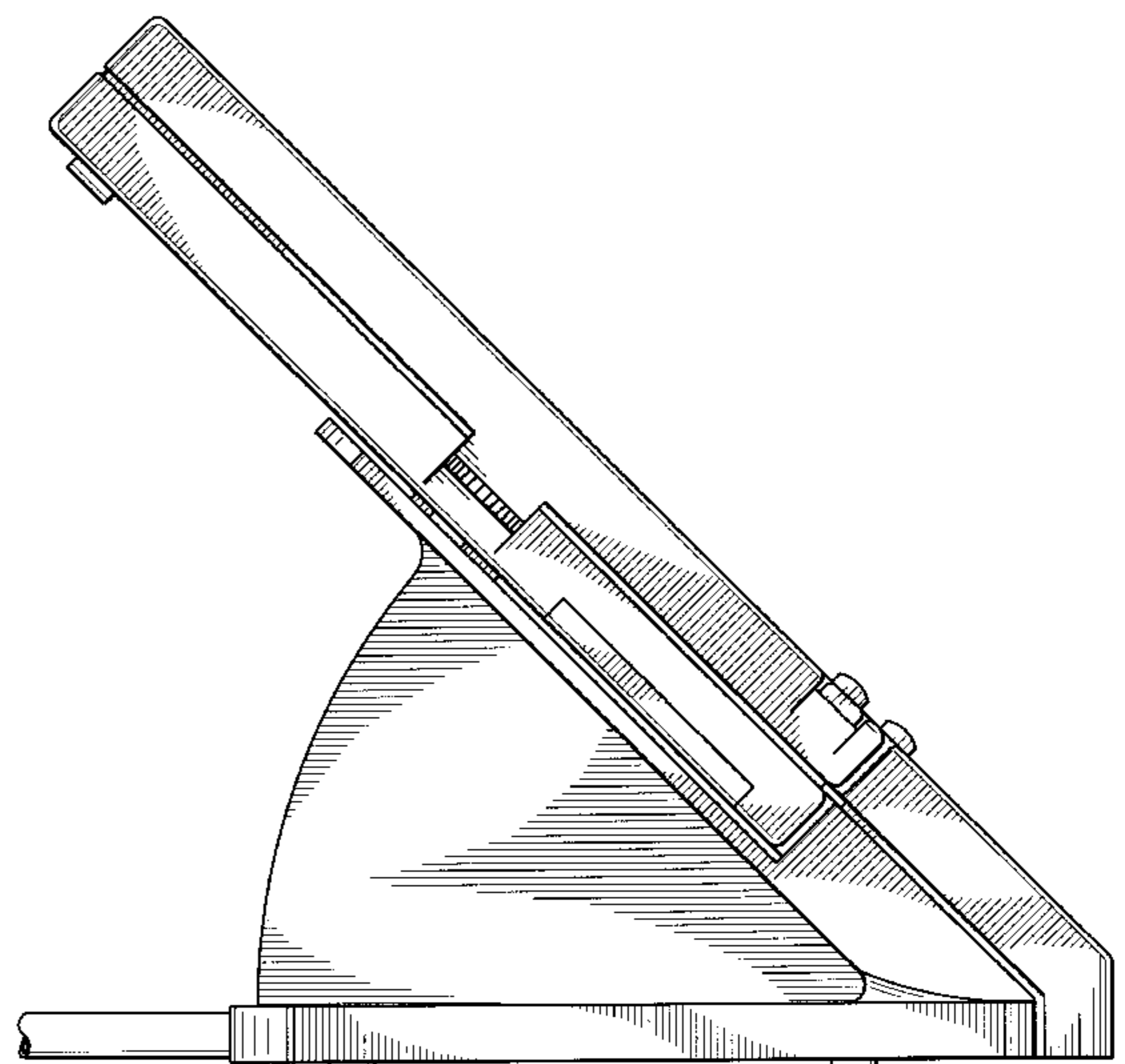
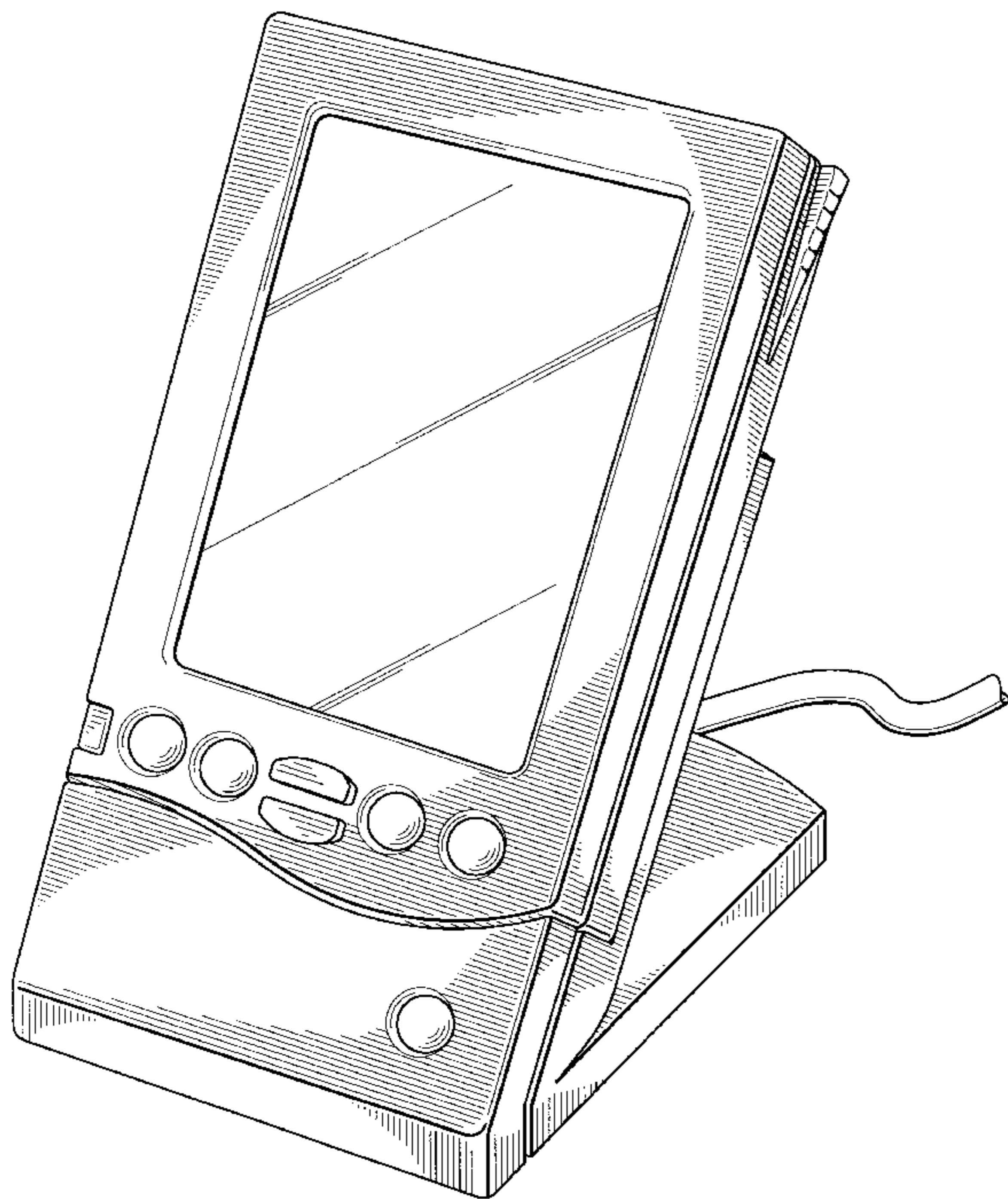
FIG. 5 is a back perspective view thereof;

FIG. 6 is a right side view thereof; and,

FIG. 7 is a bottom plan view thereof.

The cord is shown broken away in the views in order to
indicate an indeterminate length.

1 Claim, 7 Drawing Sheets



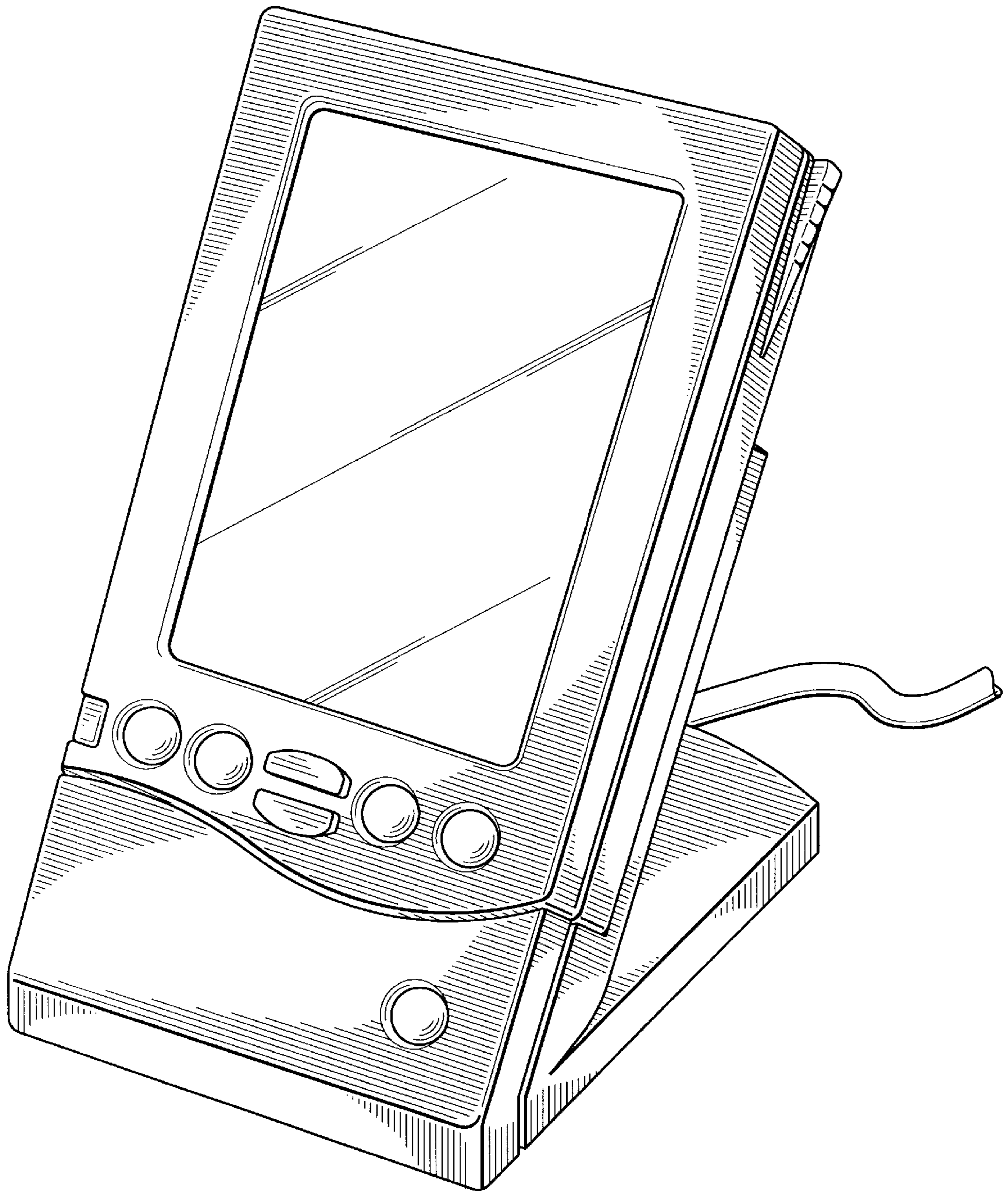


FIG. 1

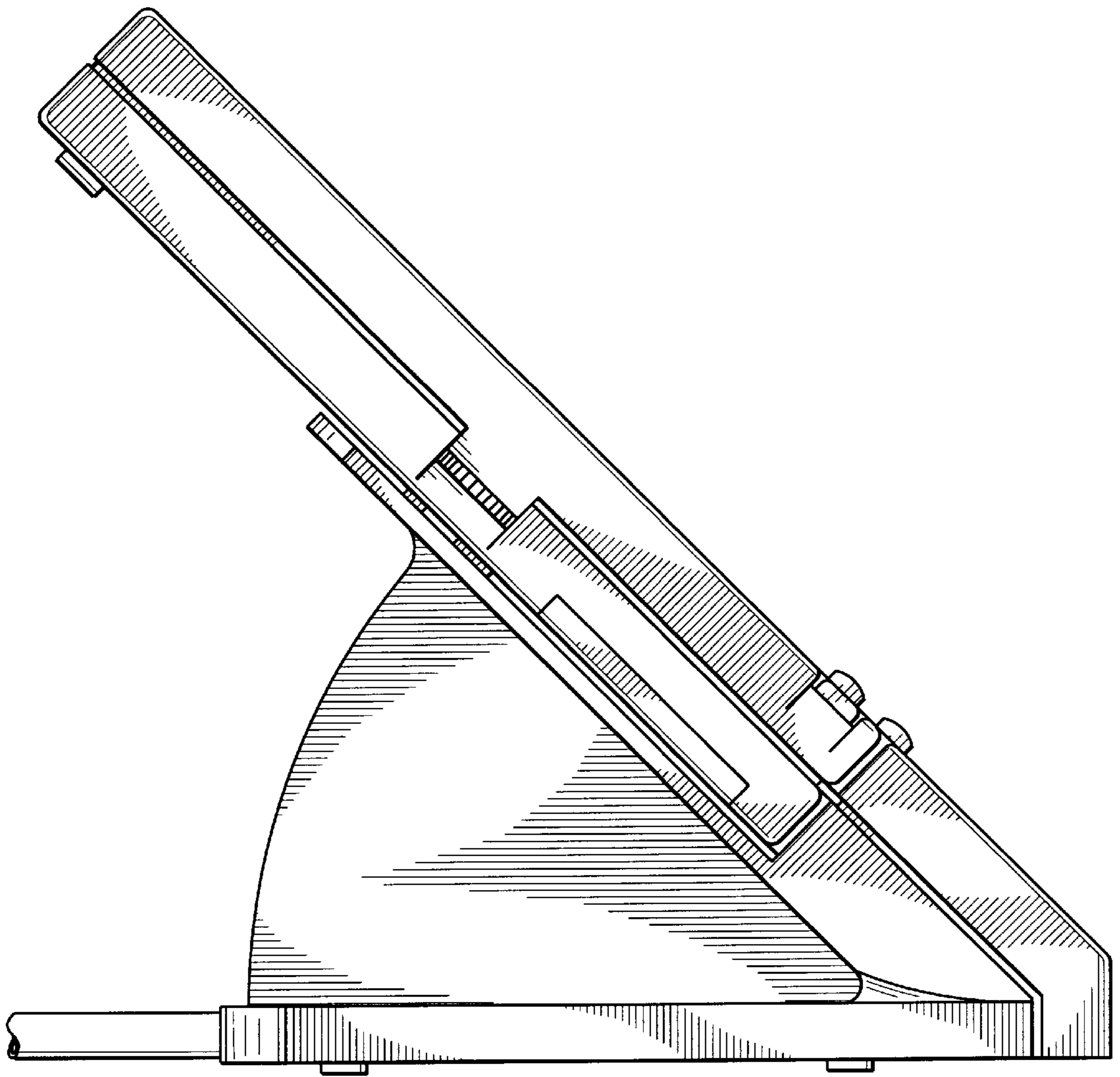


FIG. 2

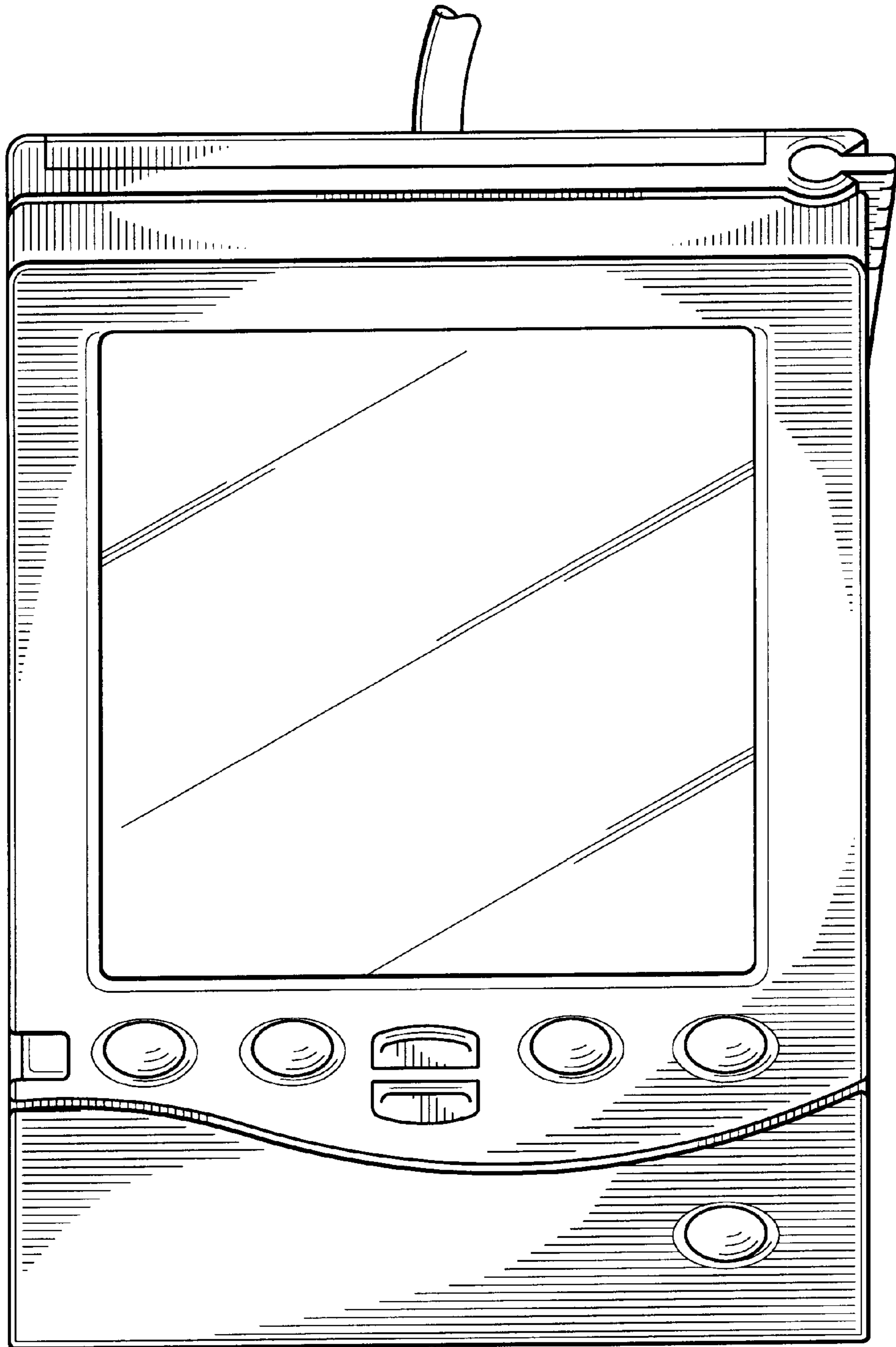


FIG. 3

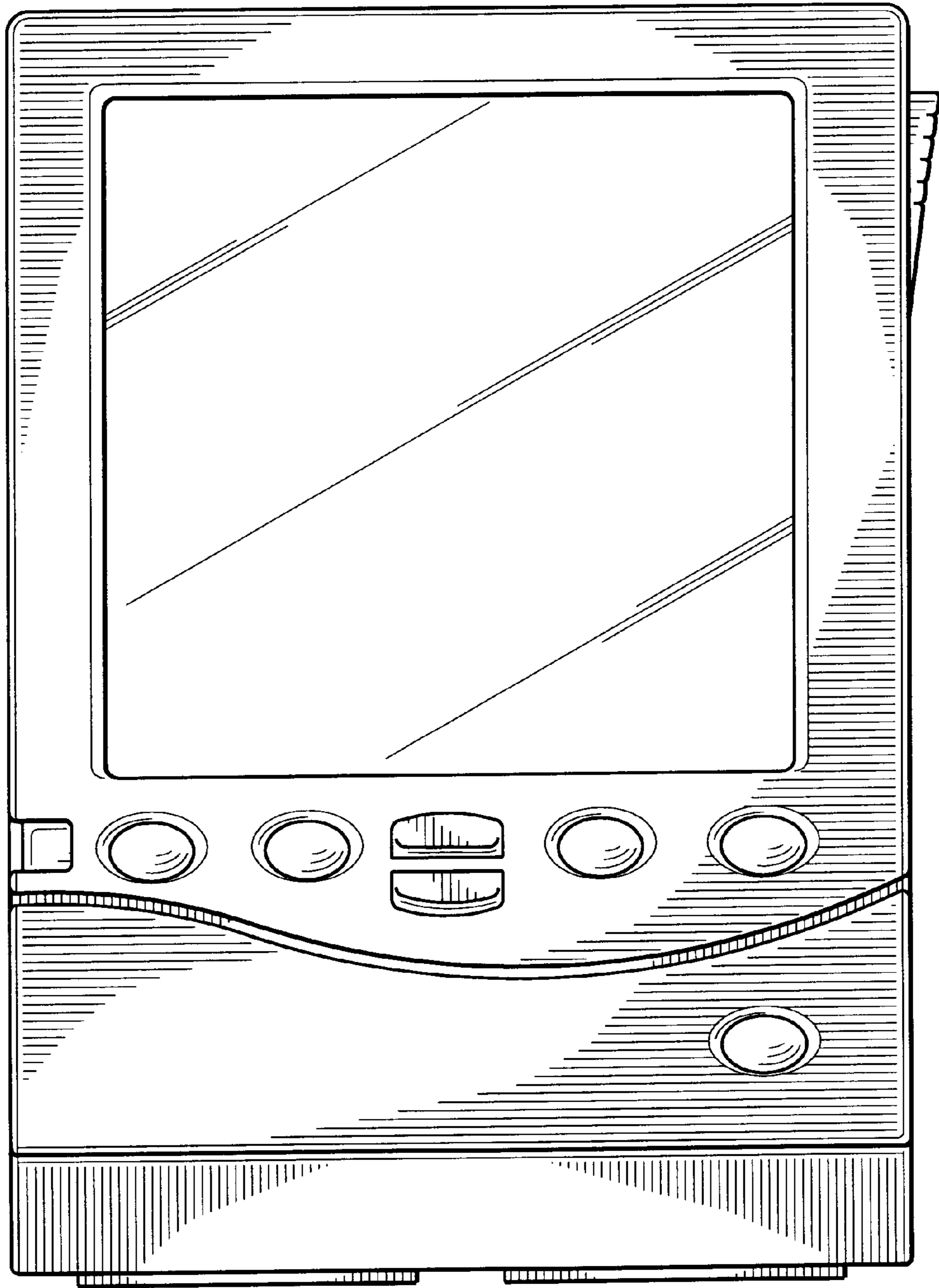


FIG. 4

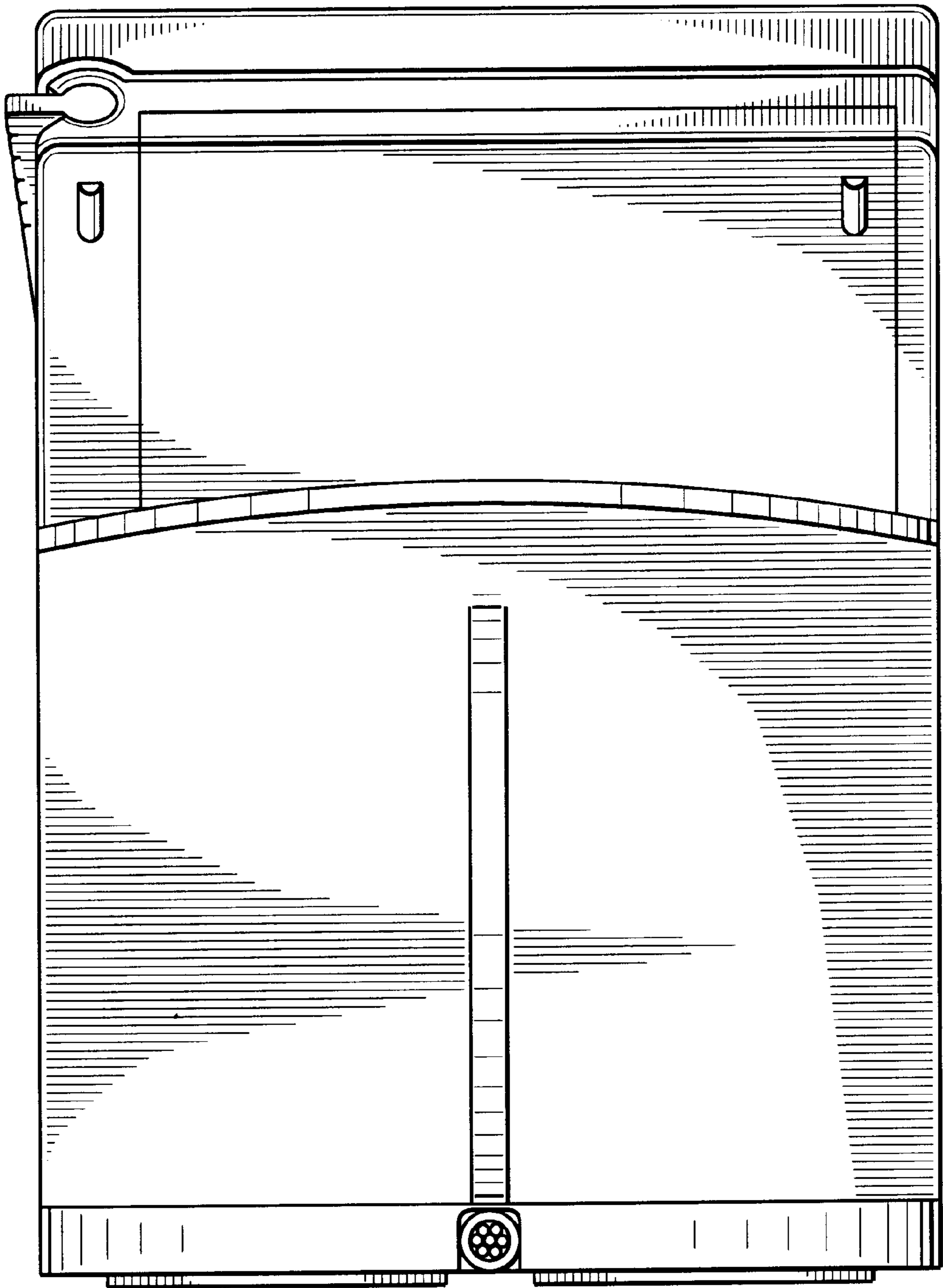


FIG. 5

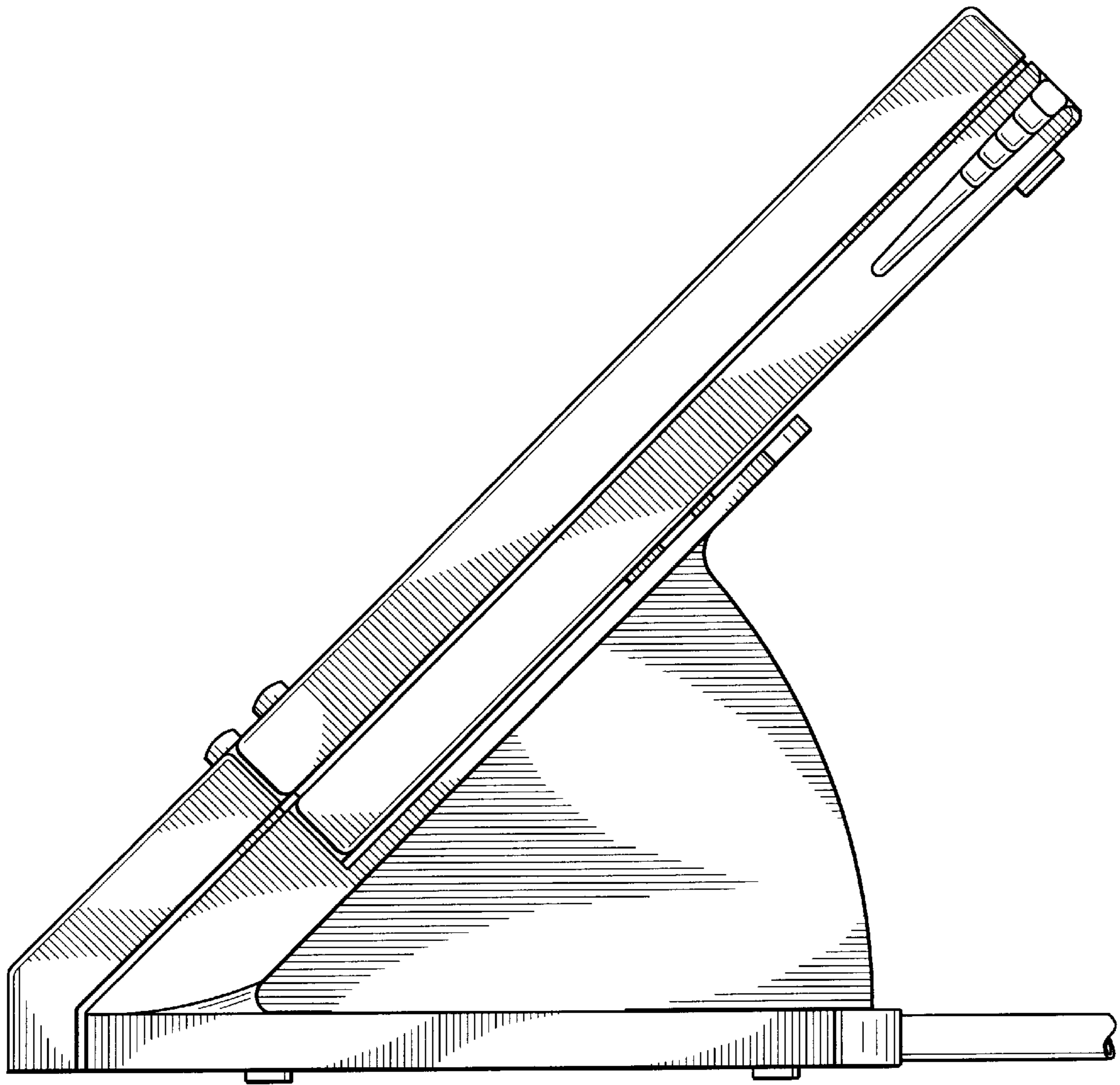


FIG. 6

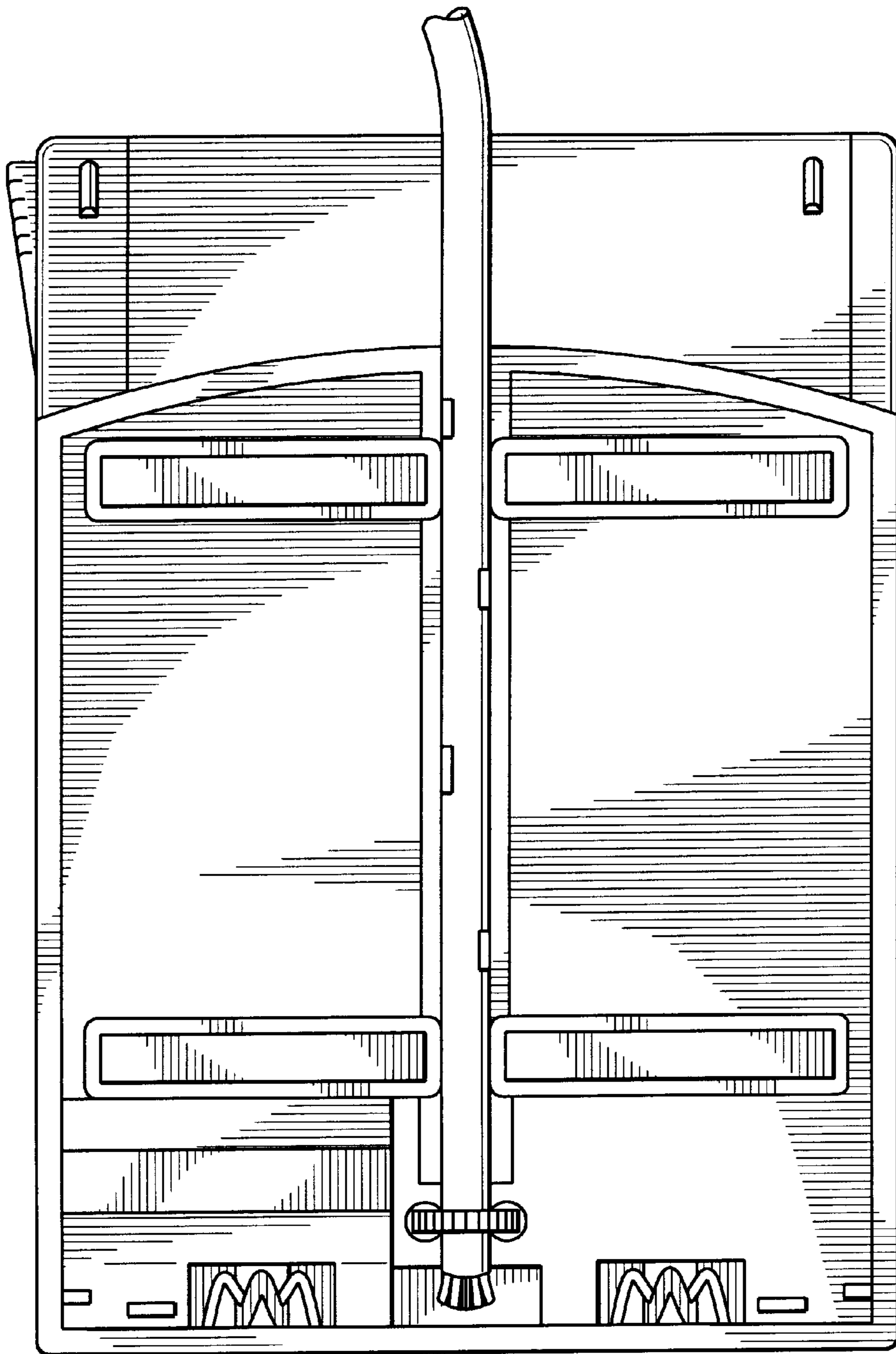


FIG. 7