



US00D440541S

(12) **United States Design Patent**
Nakayama et al.

(10) **Patent No.:** **US D440,541 S**

(45) **Date of Patent:** **** Apr. 17, 2001**

(54) **CONNECTOR HOUSING**

(75) Inventors: **Eishu Nakayama**, Osaka; **Kinji Nakamura**, Daito, both of (JP)

(73) Assignee: **J.S.T. Mfg. Co., Ltd.**, Osaka (JP)

(**) Term: **14 Years**

(21) Appl. No.: **29/119,303**

(22) Filed: **Feb. 29, 2000**

(30) **Foreign Application Priority Data**

Aug. 30, 1999 (JP) 11-23365

(51) **LOC (7) Cl.** **13-03**

(52) **U.S. Cl.** **D13/146**

(58) **Field of Search** D13/146; 439/685

(56) **References Cited**

U.S. PATENT DOCUMENTS

D. 340,911	*	11/1993	Bowsky et al.	D13/146
3,566,341	*	2/1971	Skony	439/685
3,917,377	*	11/1975	Hall et al.	439/749
5,129,843	*	7/1992	Bowsky et al.	439/685
5,131,858	*	7/1992	Heimbrock	439/181
5,580,282	*	12/1996	Paterek	439/685

* cited by examiner

Primary Examiner—Joel Sincavage

(74) *Attorney, Agent, or Firm*—Antonelli, Terry, Stout & Kraus, LLP

(57) **CLAIM**

The ornamental design for a connector housing, as shown and described.

DESCRIPTION

FIG. 1 is a top plan view of the connector housing of the present invention;
 FIG. 2 is a front elevation thereof;
 FIG. 3 is a right-side elevation;
 FIG. 4 is a bottom plan view;
 FIG. 5 is a left-side elevation;
 FIG. 6 is a cross section taken along the line 6—6 in FIG. 1;
 FIG. 7 is a cross section taken along the line 7—7 in FIG. 1;
 FIG. 8 is a cross-sectional view thereof taken along a line through the longitudinal center showing the connector housing in use. The broken line showing of the cluster pins and seal cap along with the lead and socket contact illustrate environmental structure only and form no part of the claimed design; and,
 FIG. 9 is a front and upper left perspective view thereof.
 A rear elevation of the connector housing is symmetrical with the front elevation, and therefore is excluded herein from the drawings.

1 Claim, 3 Drawing Sheets

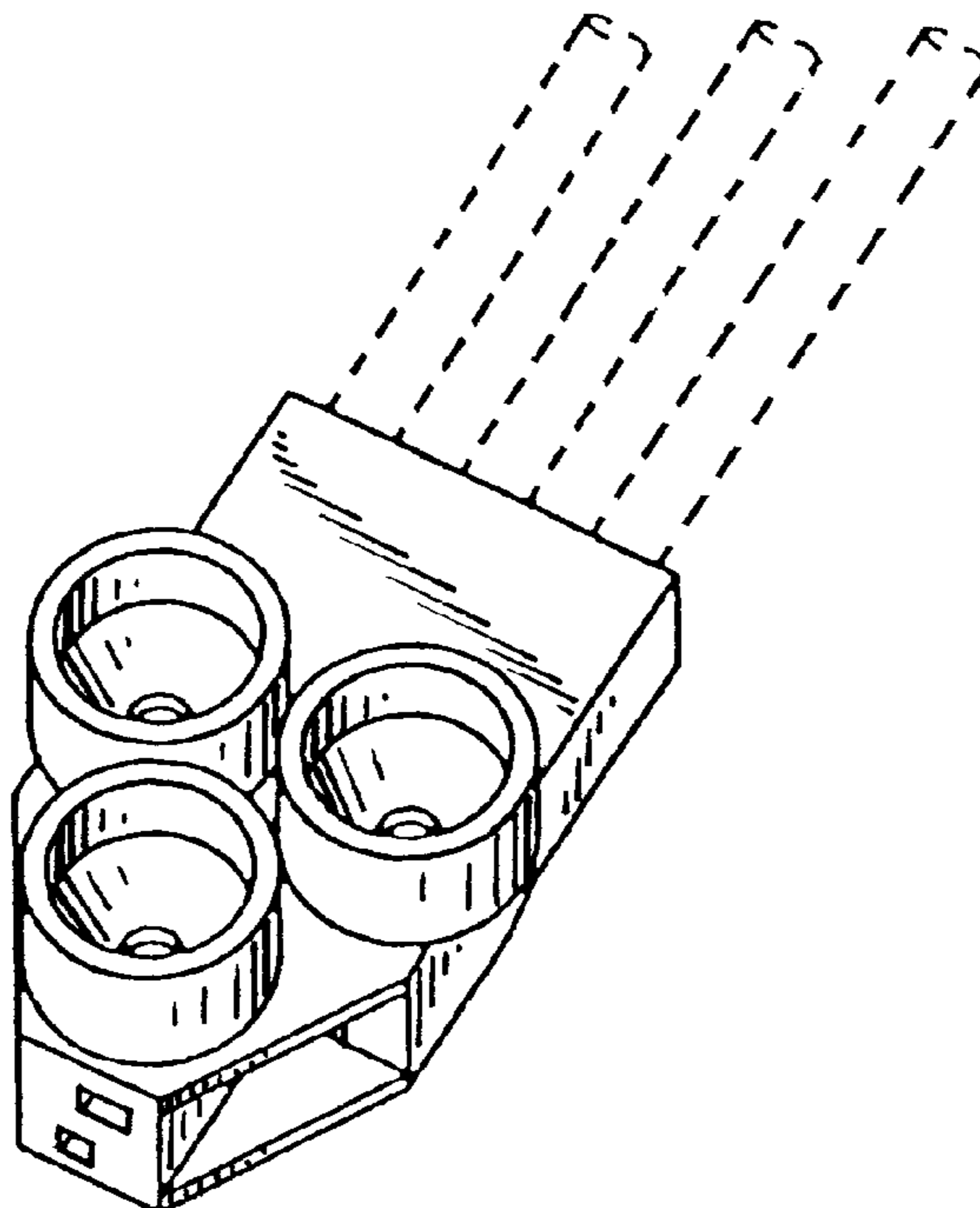


FIG. 1

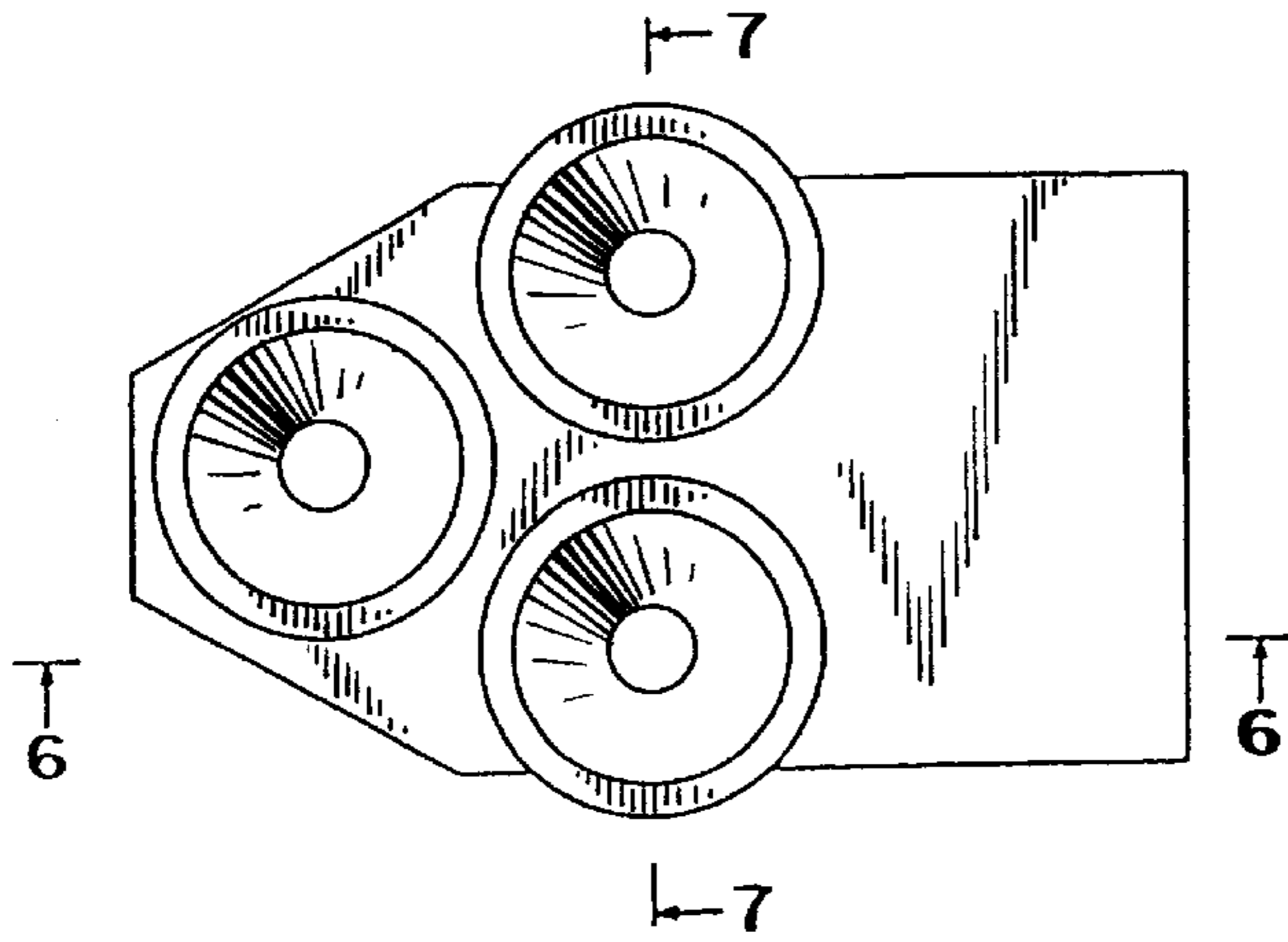


FIG. 2

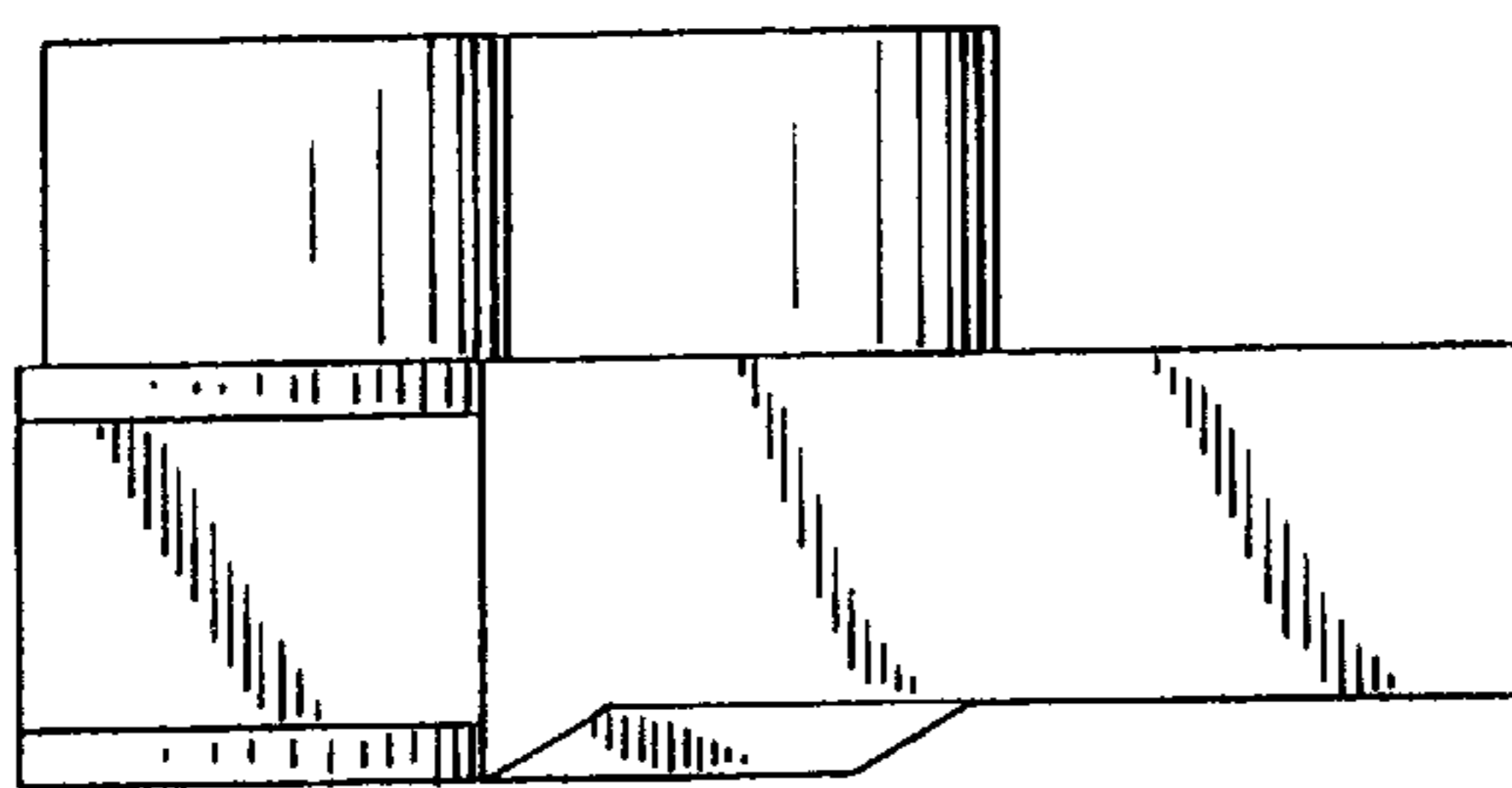


FIG. 3

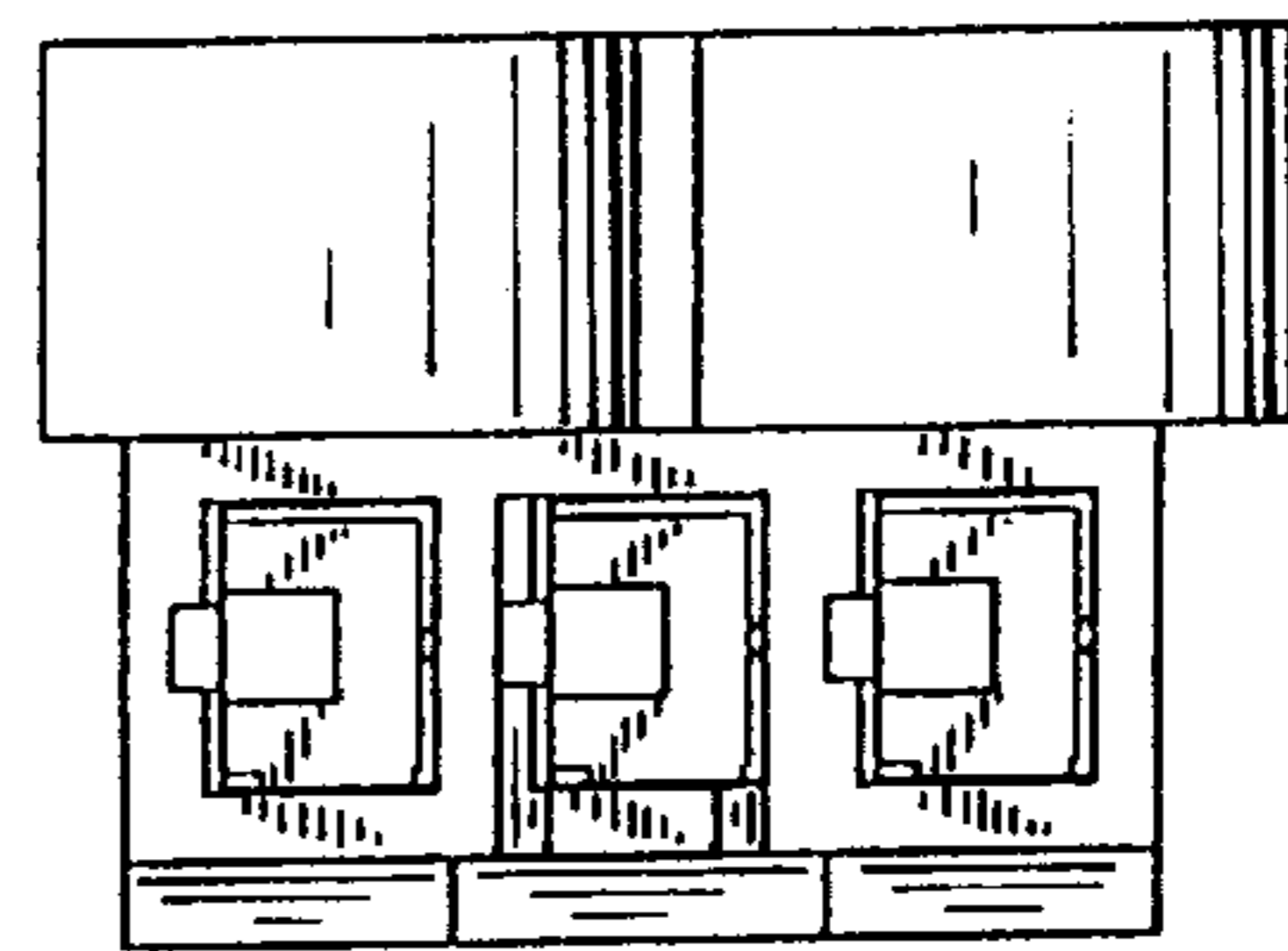


FIG. 4

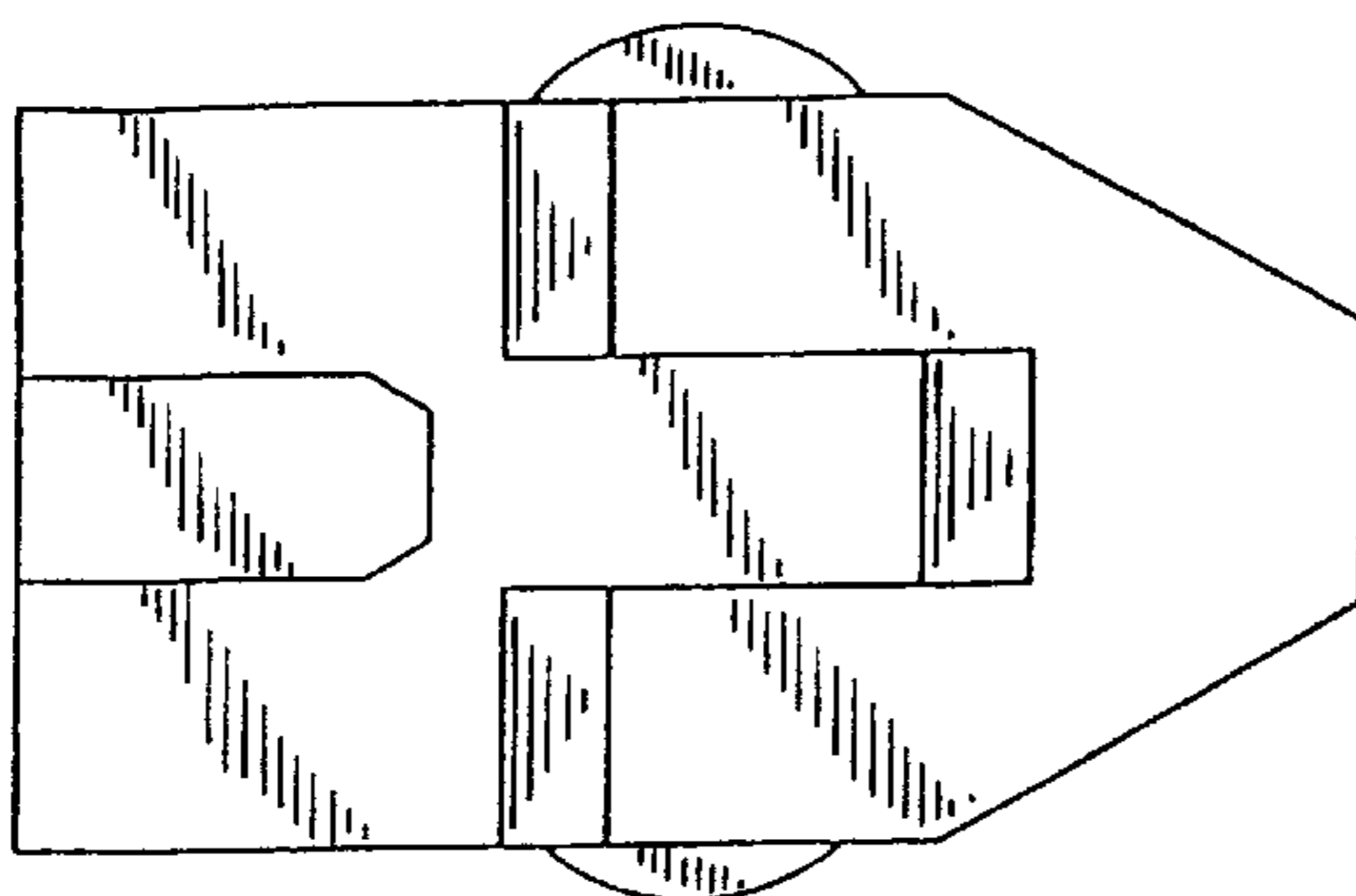


FIG. 5

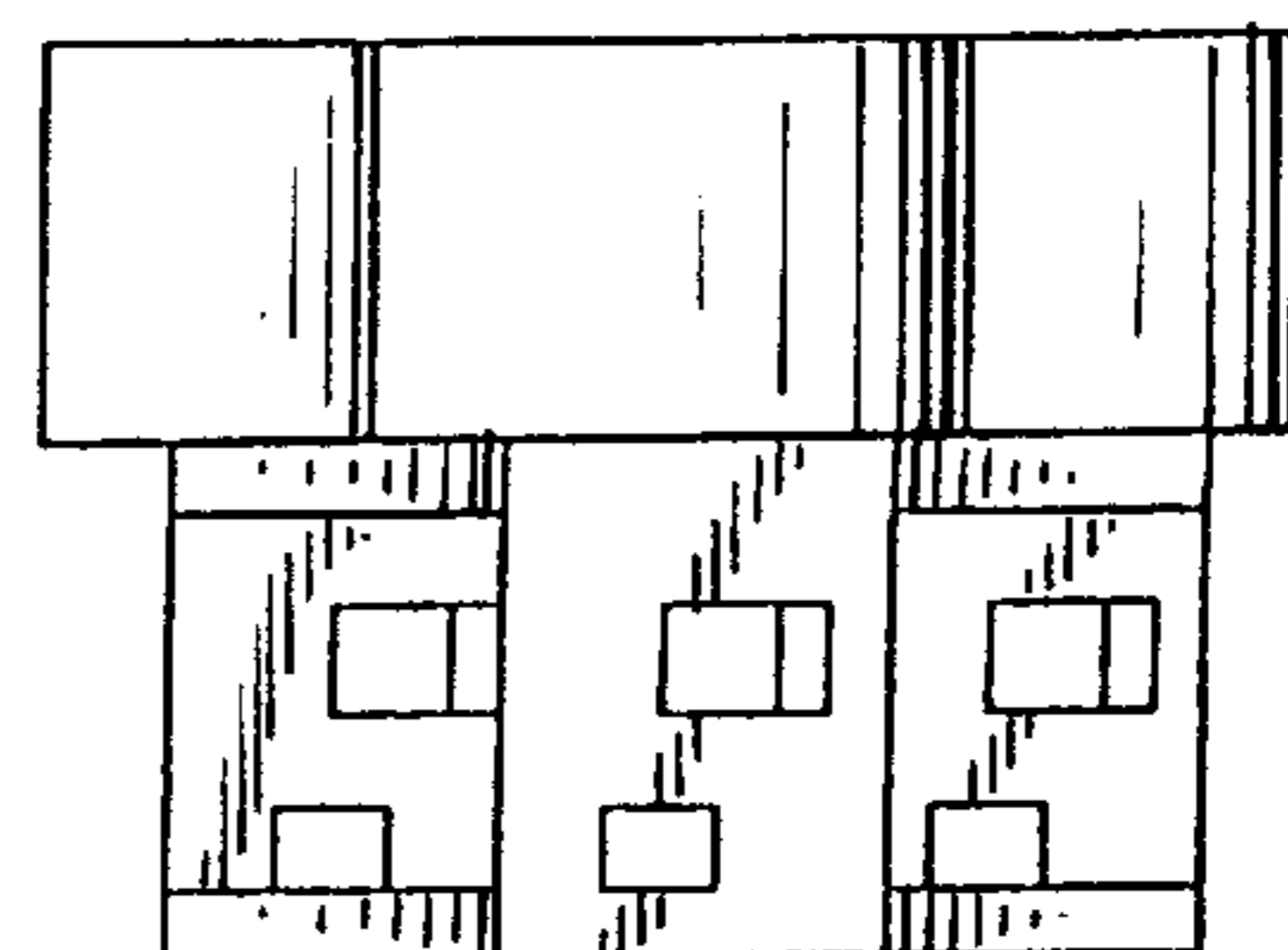


FIG. 6

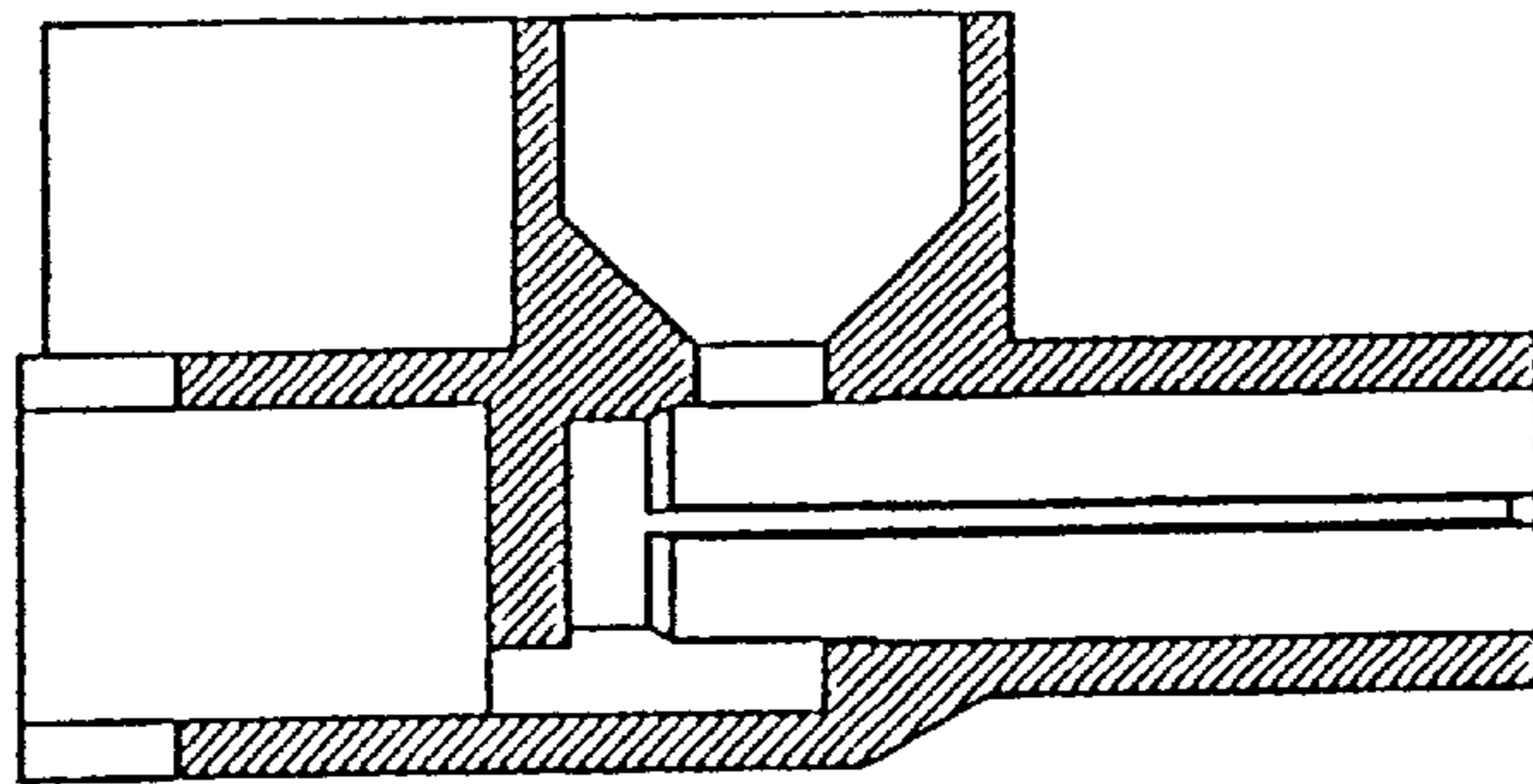


FIG. 7

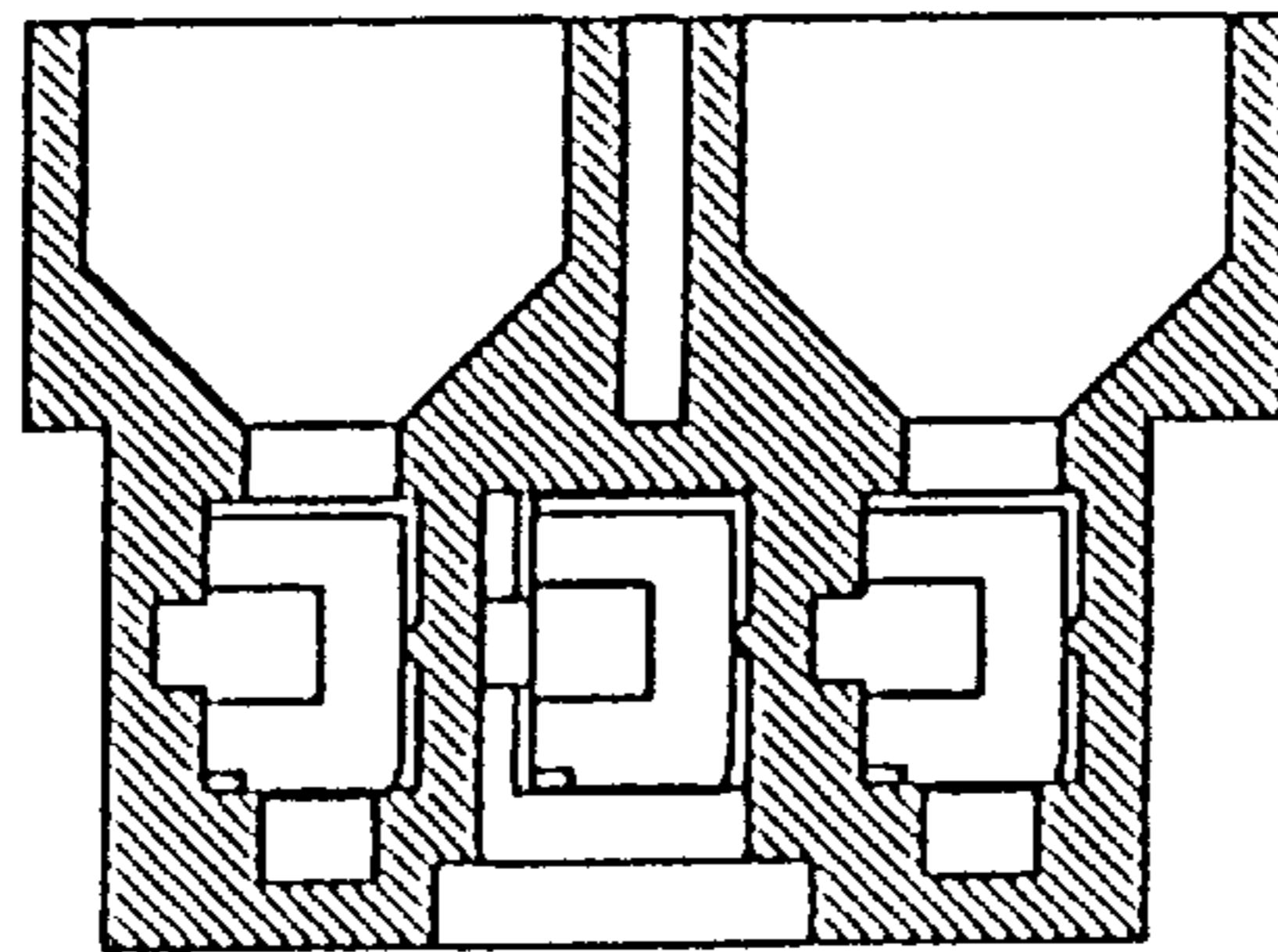


FIG. 8

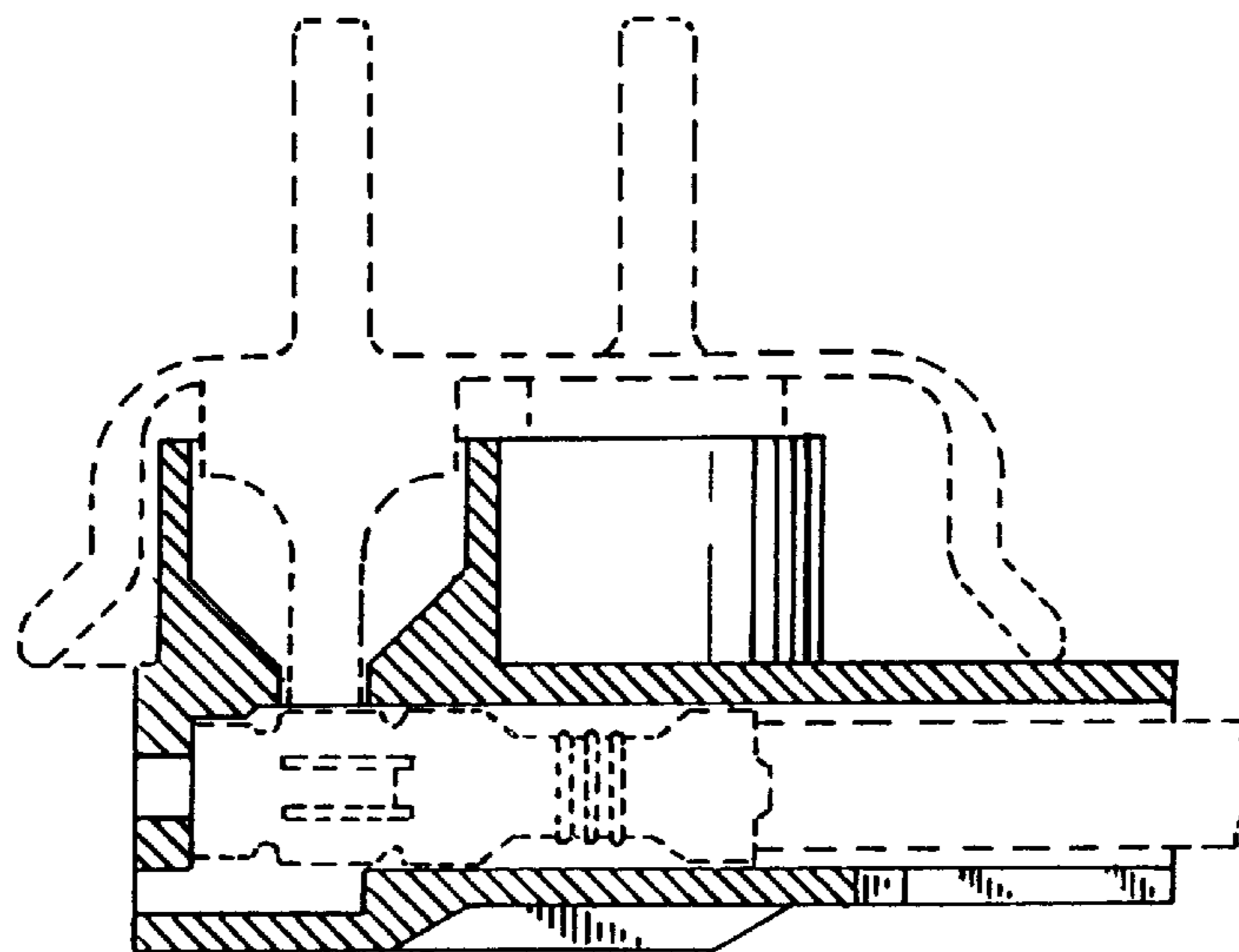


FIG. 9

