



US00D440538S

(12) **United States Design Patent**
Cook, Jr.

(10) **Patent No.:** **US D440,538 S**

(45) **Date of Patent:** **** Apr. 17, 2001**

(54) **RACK FOR AN ALL TERRAIN VEHICLE**

(76) **Inventor:** **Cecil Eugene Cook, Jr.**, 7600 Stormy La., Northport, AL (US) 35473

(**) **Term:** **14 Years**

(21) **Appl. No.:** **29/125,258**

(22) **Filed:** **Jun. 20, 2000**

(51) **LOC (7) Cl.** **12-16**

(52) **U.S. Cl.** **D12/407**

(58) **Field of Search** D12/107, 406-408;
224/401; 280/288.4; 211/133.5

(56) **References Cited**

U.S. PATENT DOCUMENTS

D. 190,011	*	3/1961	Pawsat	D12/407
D. 415,448	*	10/1999	Deutschman	D12/107
4,247,030	*	1/1981	Amacker	224/401
6,016,943	*	1/2000	Johnson et al.	224/401

* cited by examiner

Primary Examiner—Alan P. Douglas

Assistant Examiner—Linda Brooks

(74) *Attorney, Agent, or Firm*—Christopher A. Holland; Robert J. Veal; Burr & Forman LLP

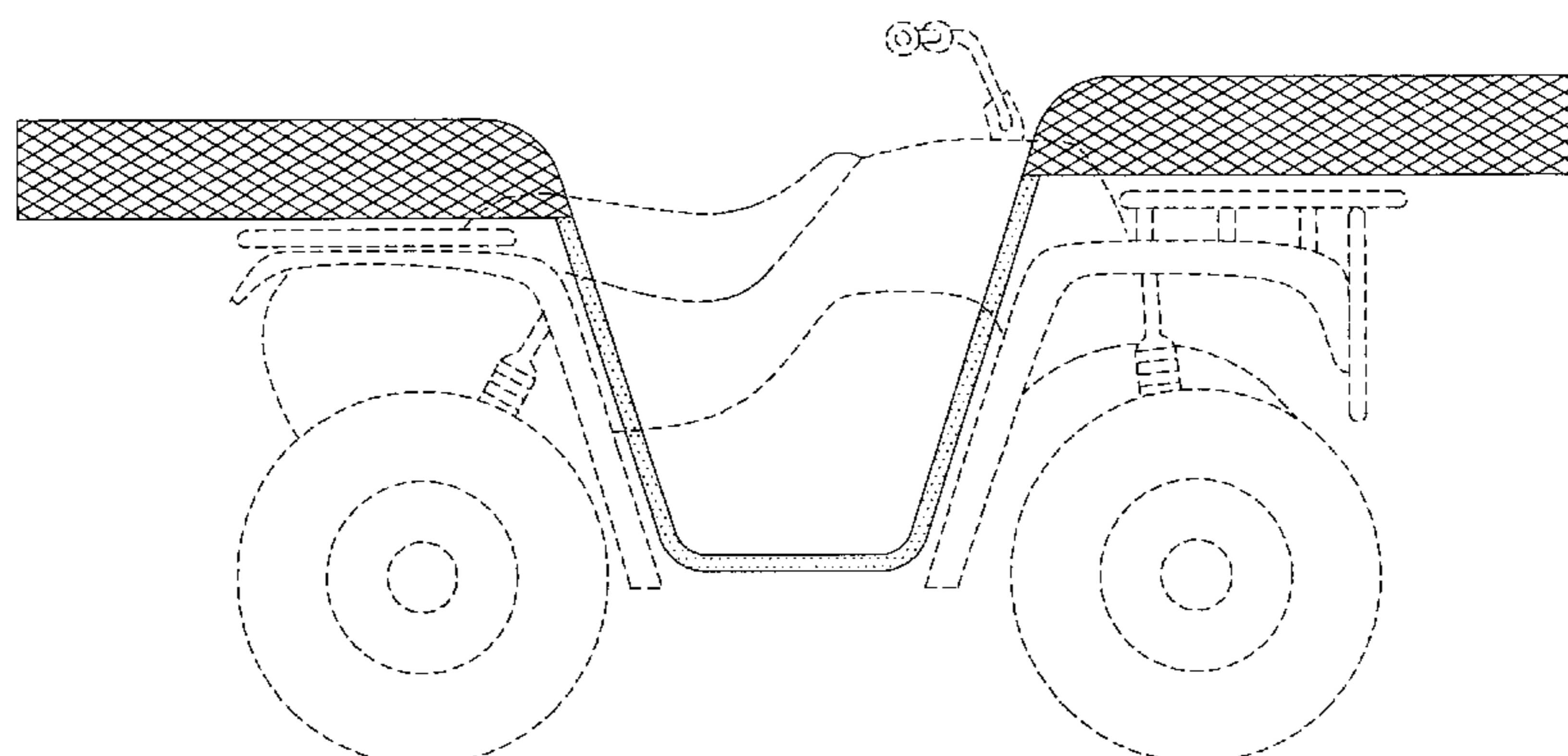
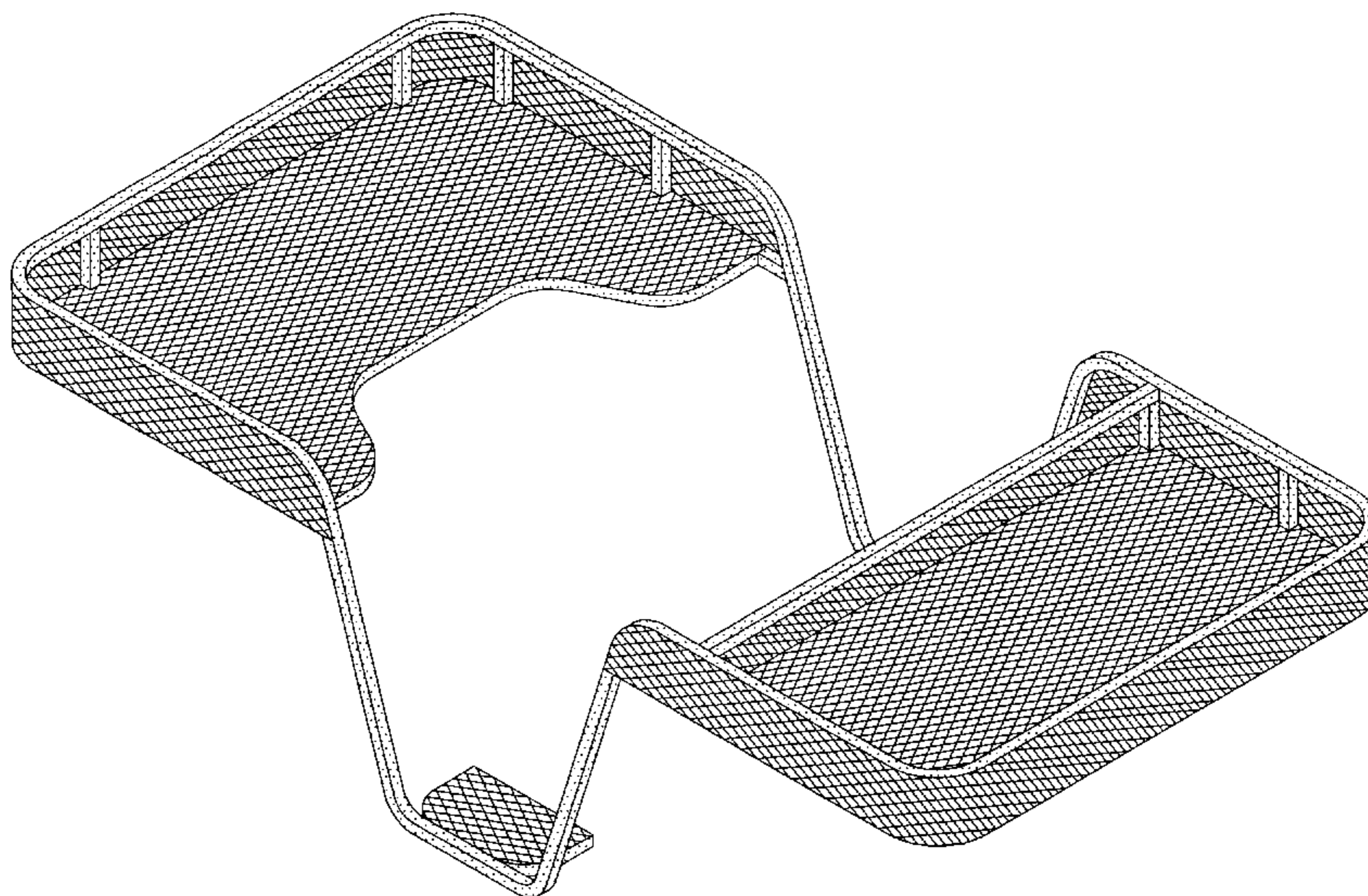
(57) **CLAIM**

The ornamental design for a rack for an all terrain vehicle, as shown and described.

DESCRIPTION

FIG. 1 is a top front perspective view of a rack for an all terrain vehicle showing my design; FIG. 2 is a top rear perspective view thereof; FIG. 3 is a right side elevational view thereof; FIG. 4 is a left side elevational view thereof; FIG. 5 is a rear elevational view thereof; FIG. 6 is a front elevational view thereof; FIG. 7 is a top plan view thereof; FIG. 8 is a bottom view thereof; and, FIG. 9 is a side elevational view of the present invention with an all terrain vehicle shown in broken lines to illustrate environment.

1 Claim, 5 Drawing Sheets



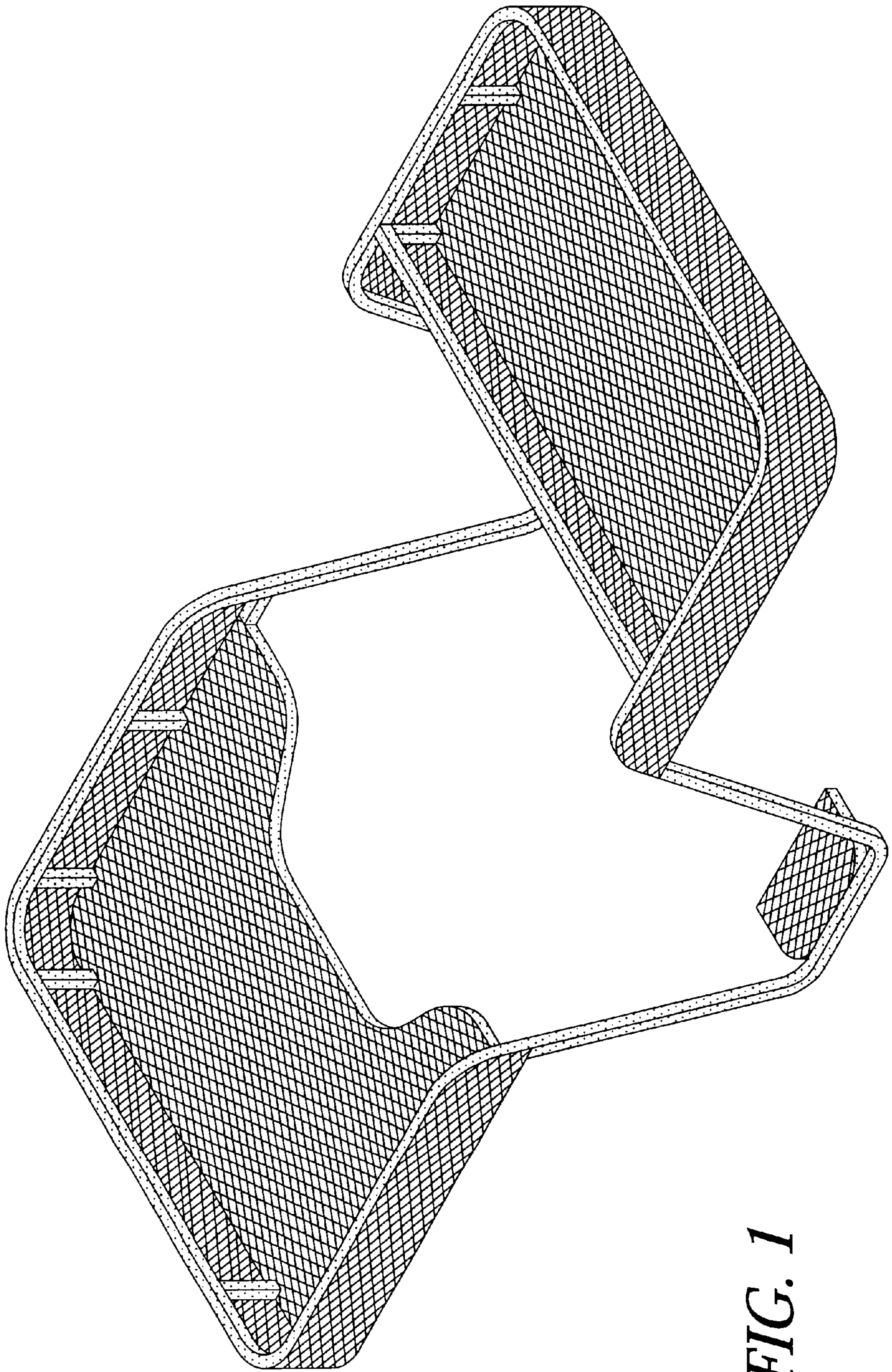


FIG. 1

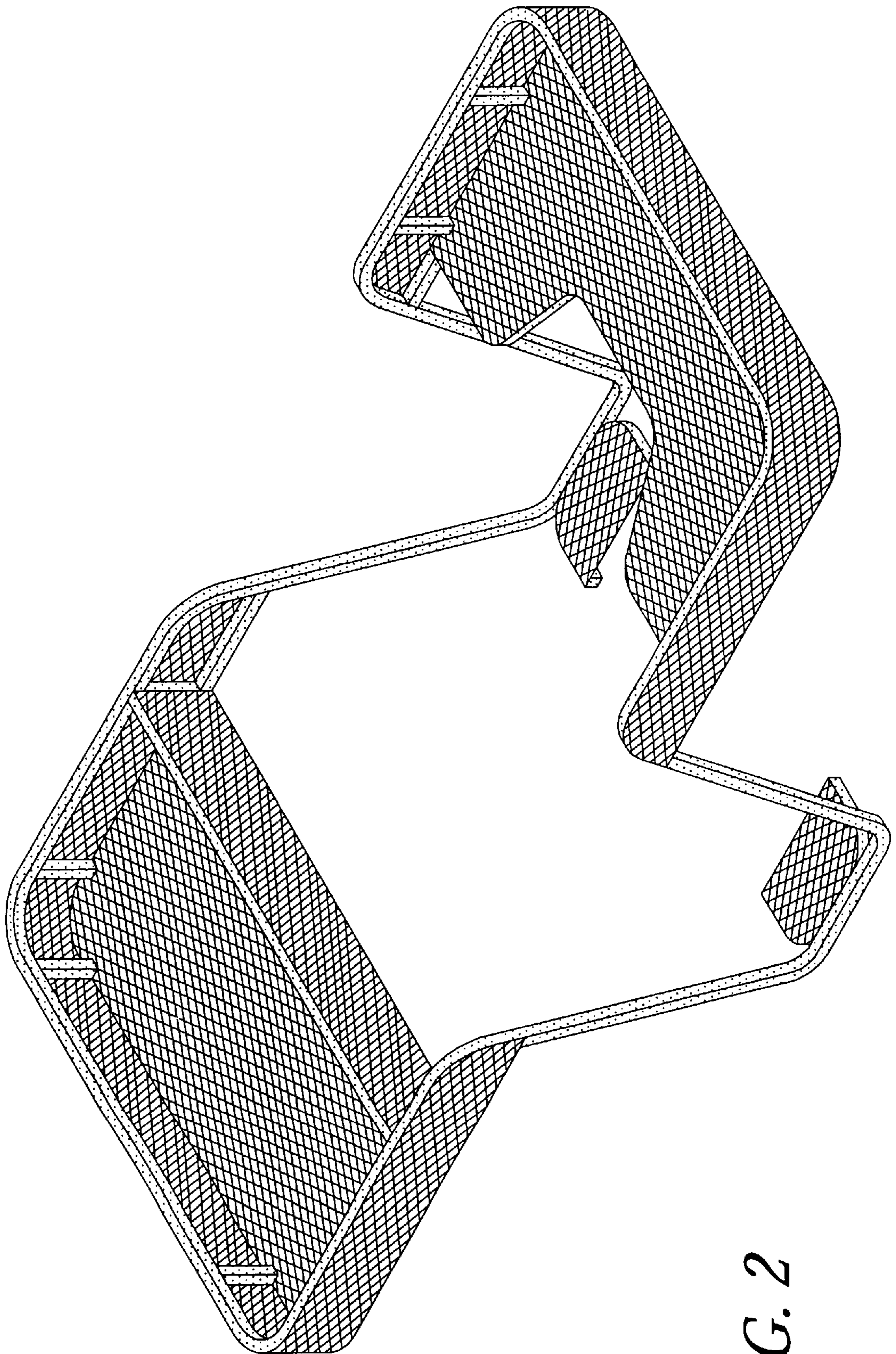


FIG. 2

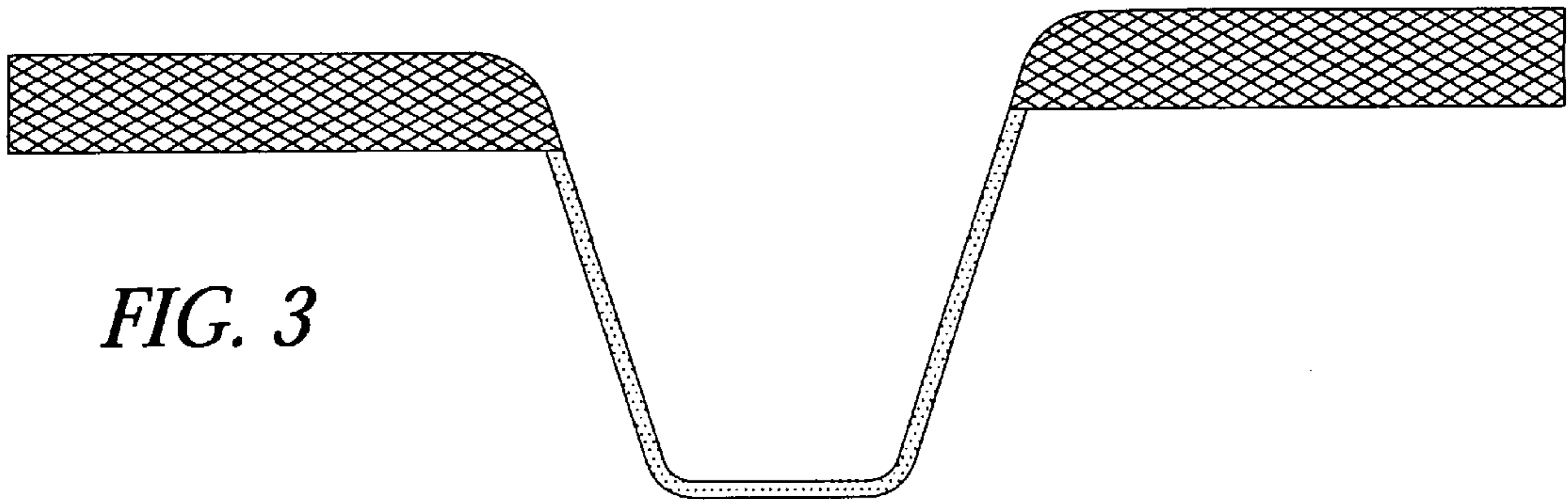


FIG. 3

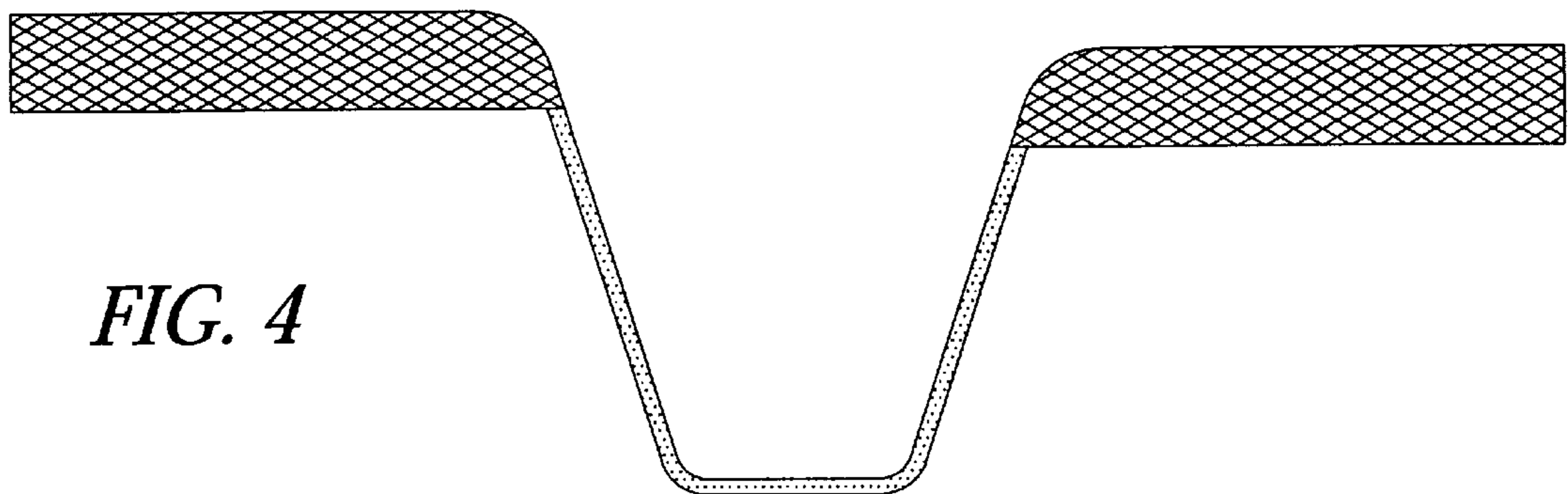


FIG. 4

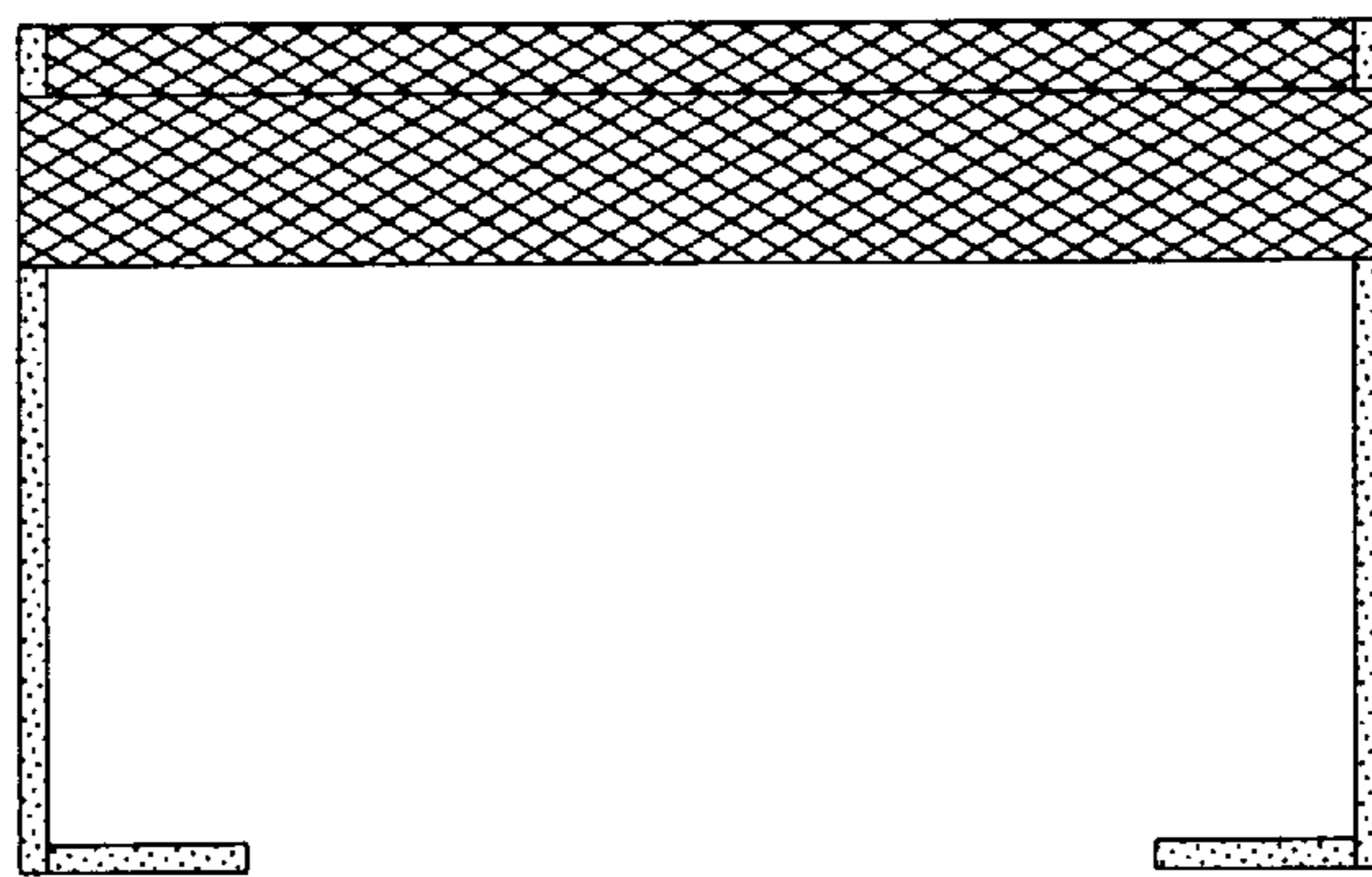


FIG. 5

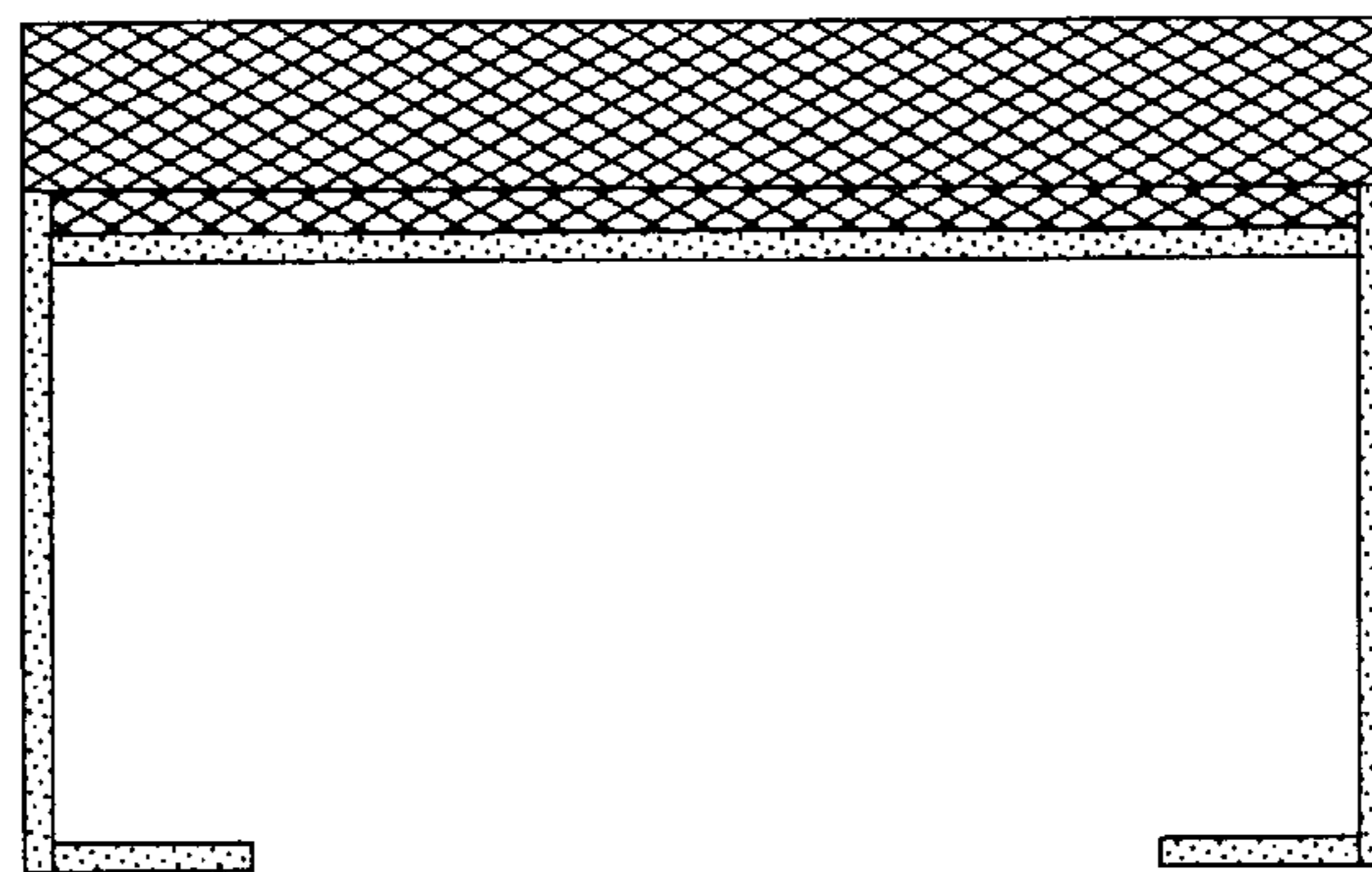


FIG. 6

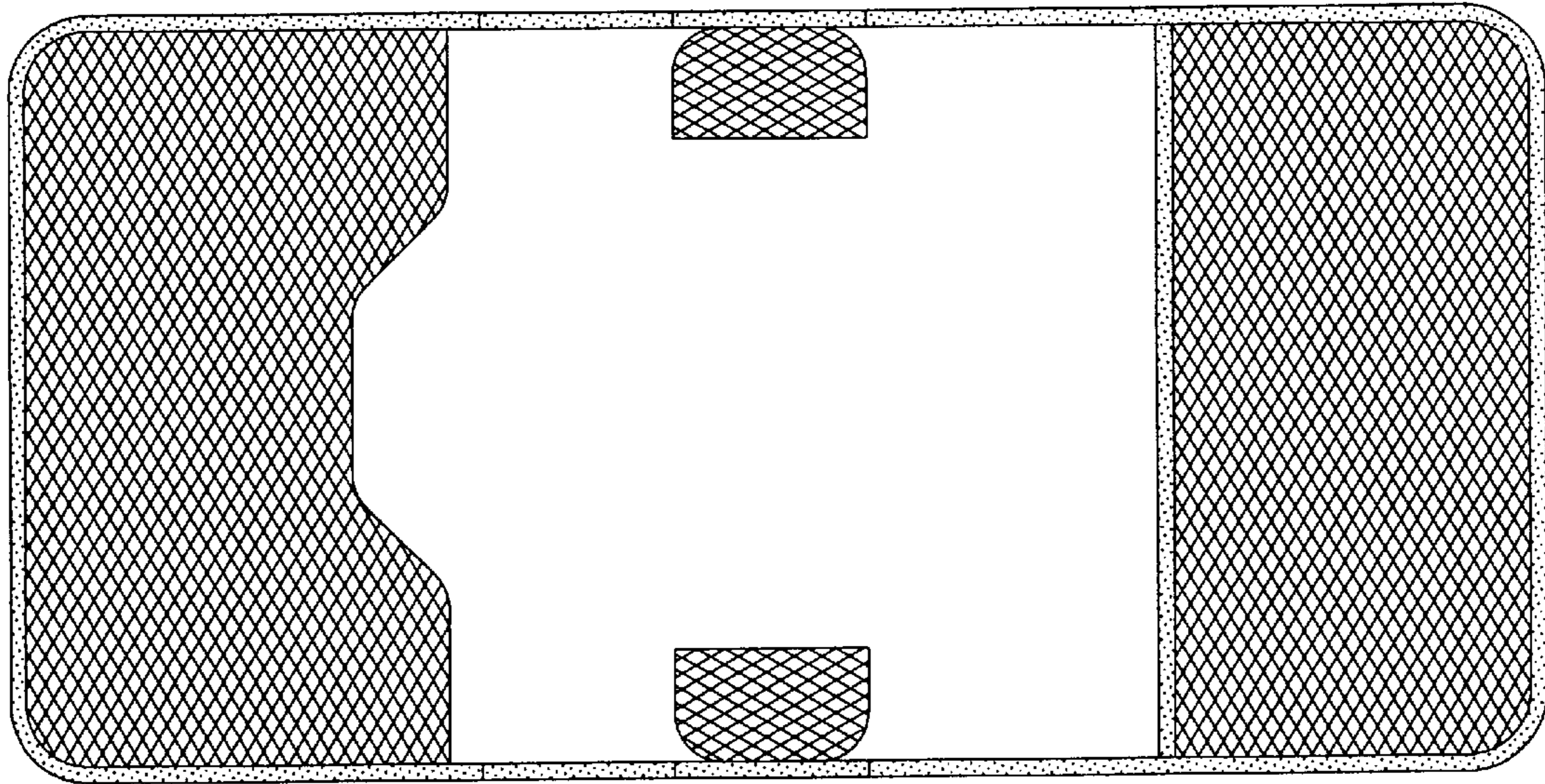
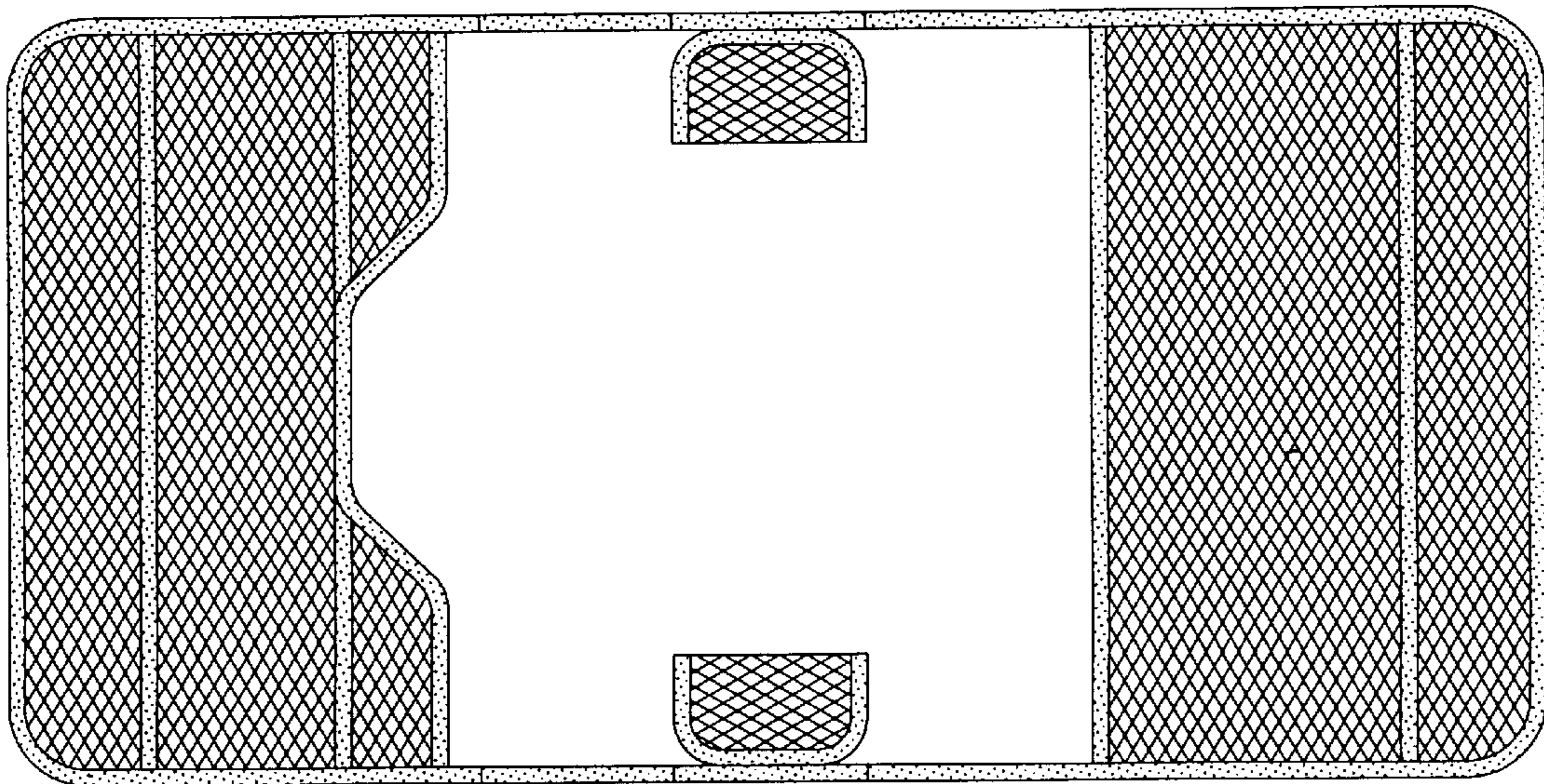


FIG. 7

FIG. 8



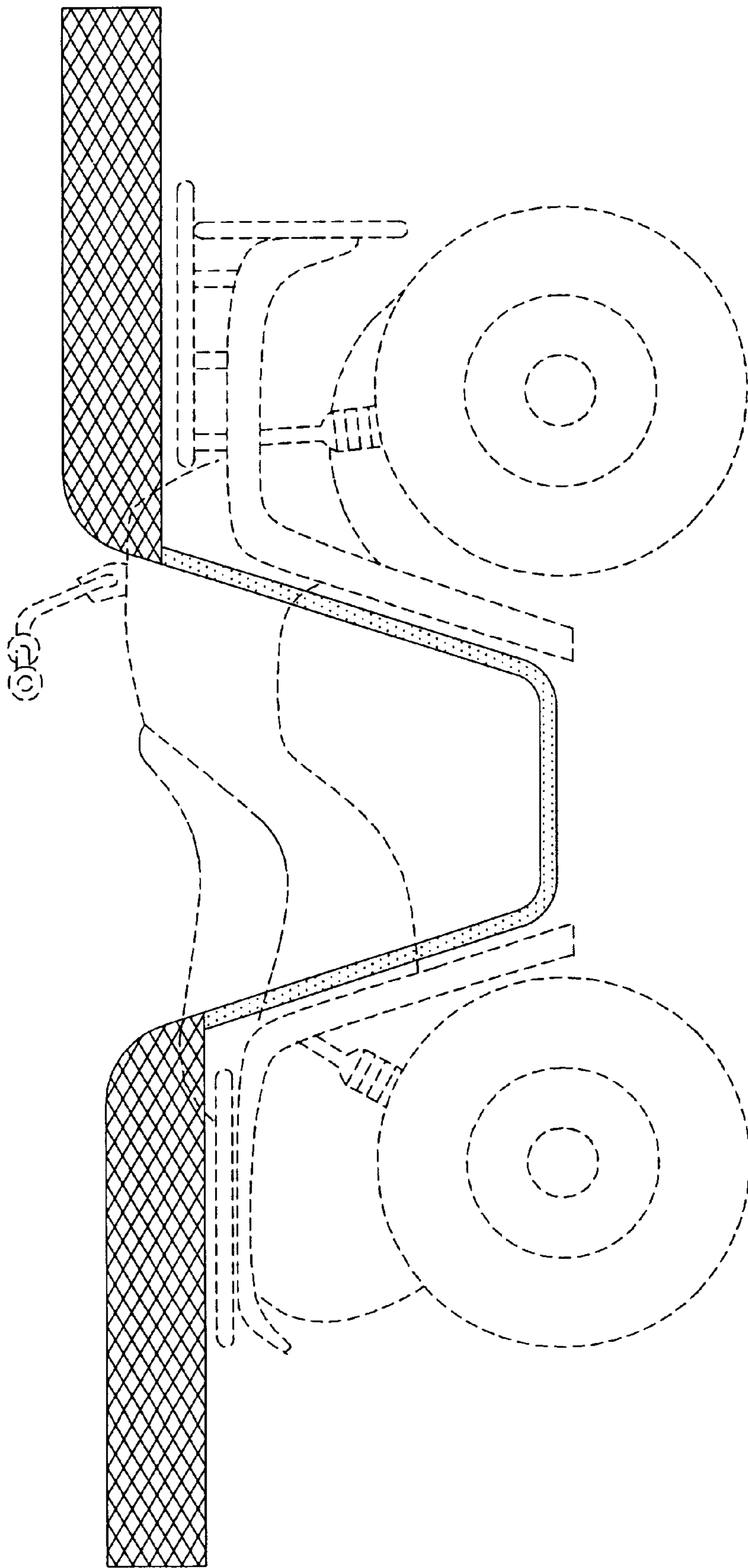


FIG. 9