



US00D440536S

(12) **United States Design Patent**  
**Grzybowski**

(10) **Patent No.:** **US D440,536 S**

(45) **Date of Patent:** **\*\* Apr. 17, 2001**

(54) **WATERCRAFT STABILIZER**

5,501,169 \* 3/1996 Denker ..... 114/364

(76) Inventor: **Joseph Michael Grzybowski**, 9 Van Buren Rd., Scotia, NY (US) 12302

\* cited by examiner

(\*\*) Term: **14 Years**

*Primary Examiner*—Kay H. Chin

(74) *Attorney, Agent, or Firm*—S. Pal Asija

(21) Appl. No.: **29/102,790**

(57) **CLAIM**

(22) Filed: **Mar. 31, 1999**

The ornamental design for a watercraft stabilizer, as shown and described.

(51) **LOC (7) Cl.** ..... **12-06**

**DESCRIPTION**

(52) **U.S. Cl.** ..... **D12/317; D12/304**

(58) **Field of Search** ..... D12/300–318;  
114/61, 56, 57, 355, 357, 39.1, 39.2, 364,  
344, 347

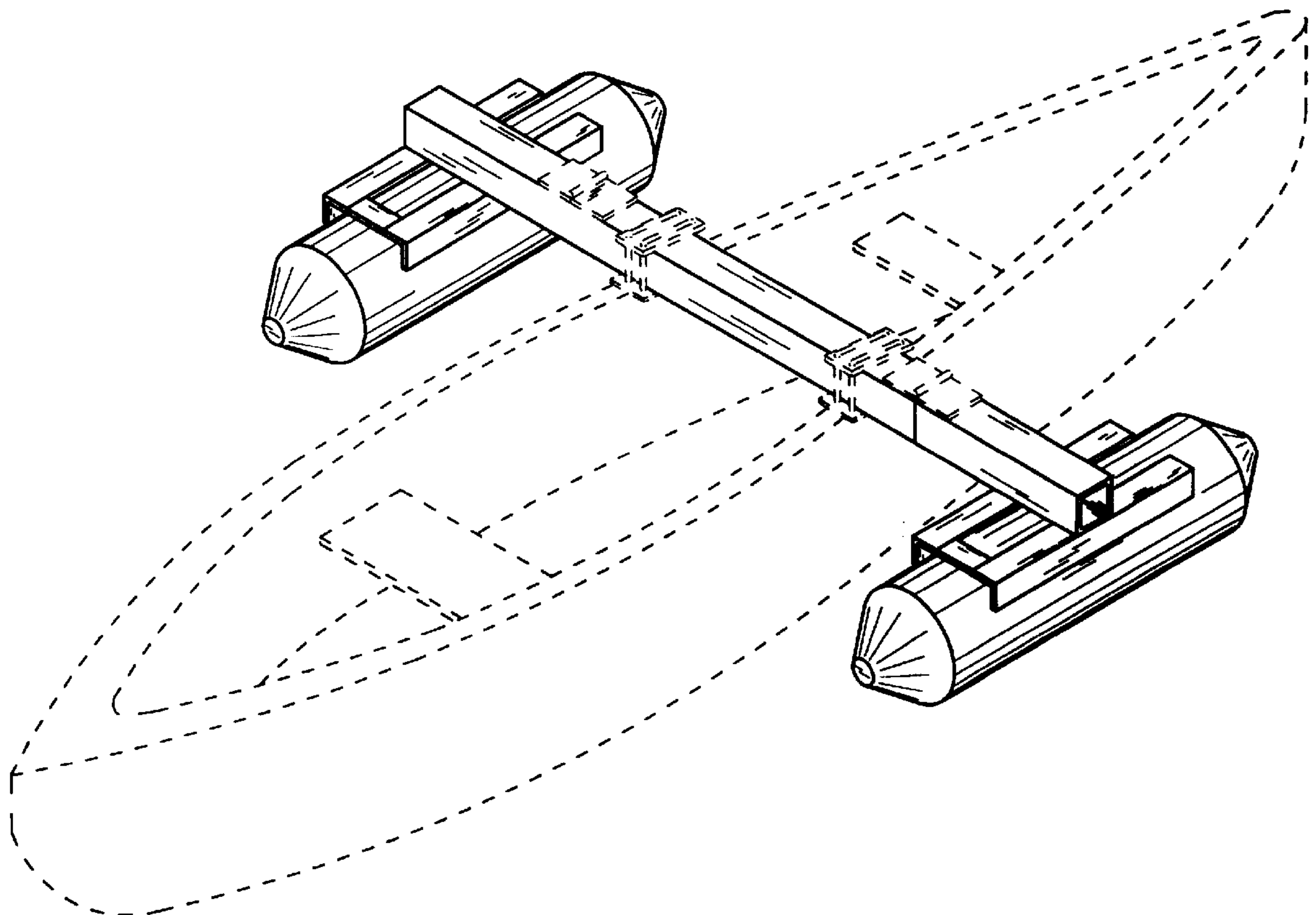
FIG. 1 is a perspective view of a watercraft stabilizer showing my new design, the broken lines are for illustrative purposes only and form no part of the claimed design; FIG. 2 is a perspective view thereof showing one pontoon deployed and the other pontoon in stow position; FIG. 3 is a top plan view thereof; FIG. 4 is a front elevational view thereof, the rear elevational view being a mirror image of that shown; FIG. 5 is a bottom plan view thereof; and, FIG. 6 is a side elevational view thereof, the opposite side view being a mirror image of that shown.

(56) **References Cited**

**U.S. PATENT DOCUMENTS**

D. 316,395	*	4/1991	Yamada et al.	.....	D12/304
4,512,277	*	4/1985	Williams	.....	114/364
4,641,594	*	2/1987	Birkett	.....	114/43
4,807,551	*	2/1989	Ace	.....	114/123
4,977,844	*	12/1990	Barr	.....	114/123
5,295,454	*	3/1994	Streck	.....	114/123

**1 Claim, 3 Drawing Sheets**



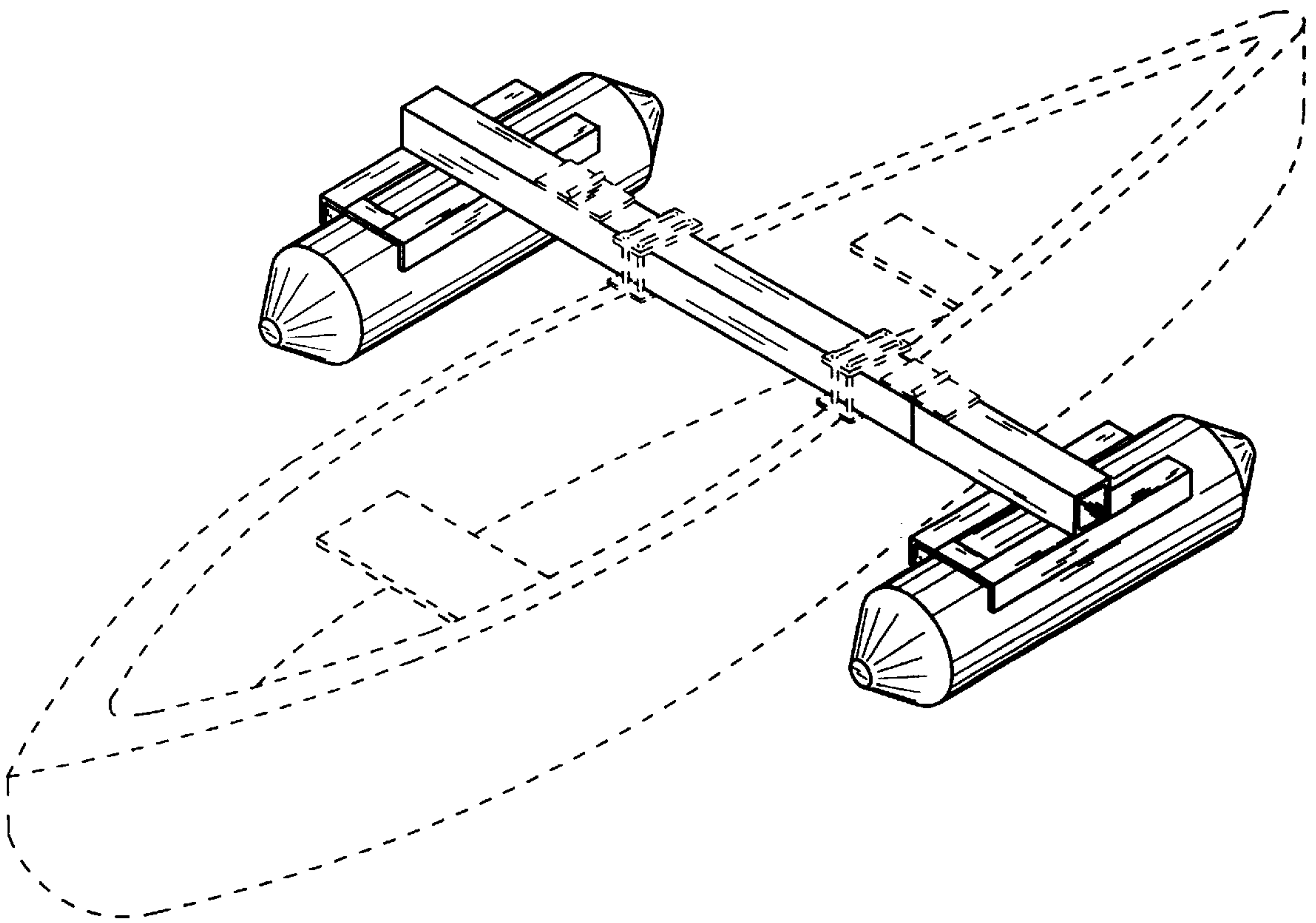


Fig. 1

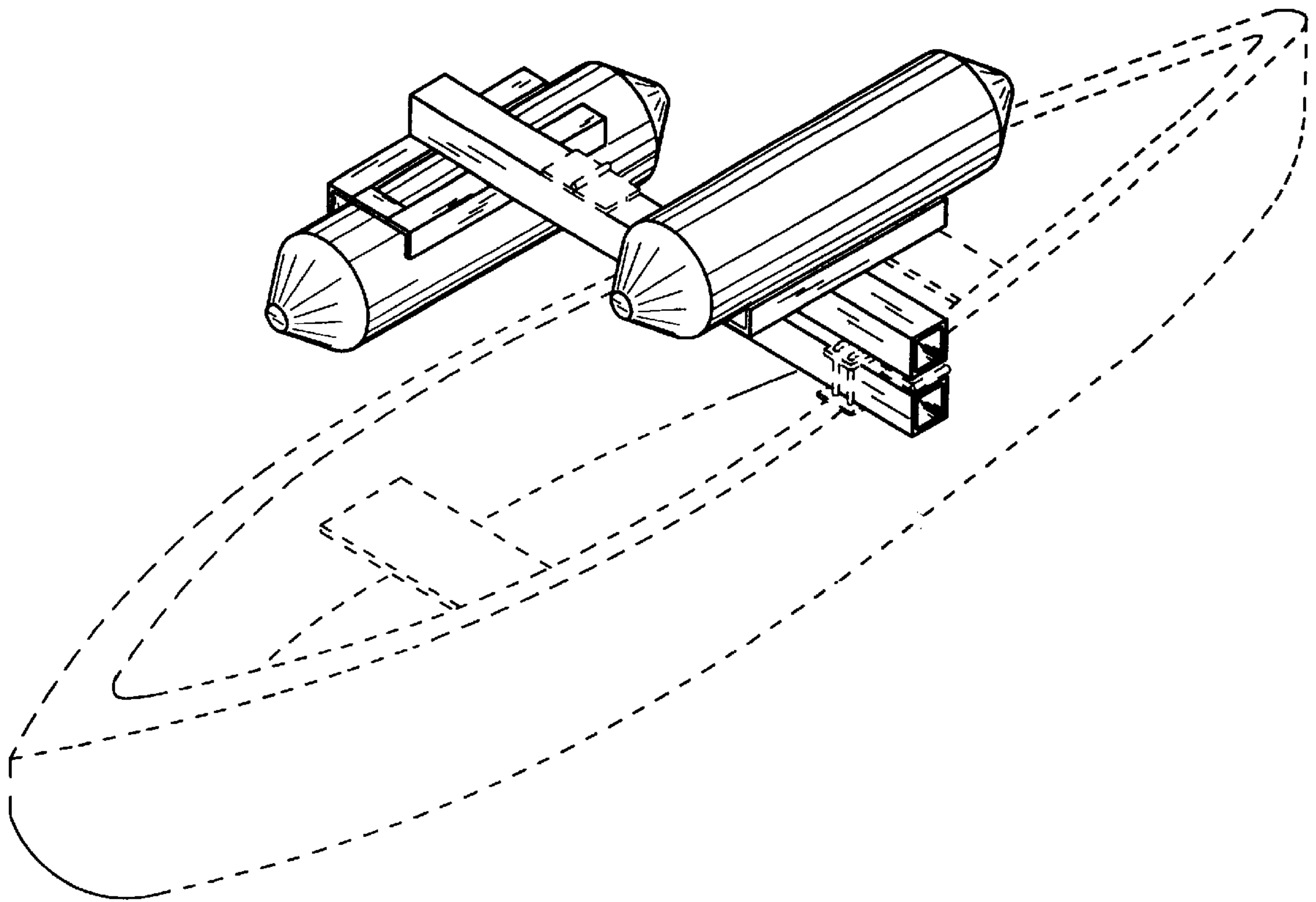


Fig. 2

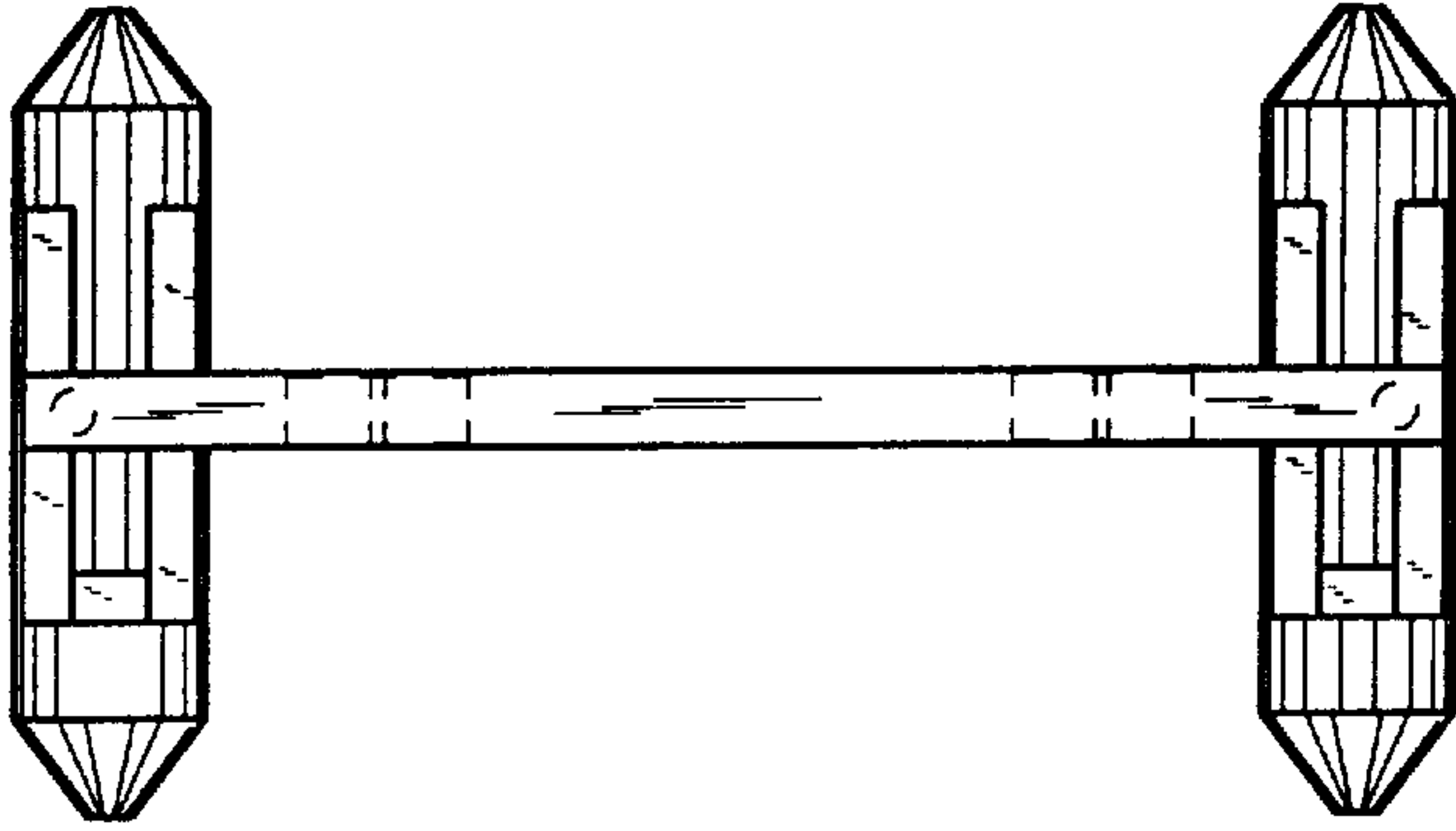


Fig. 3

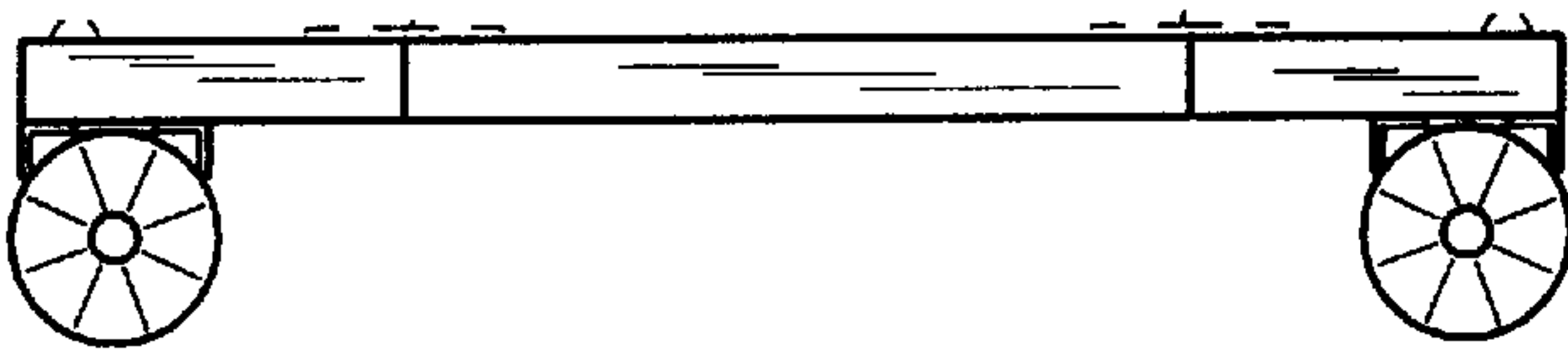


Fig. 4

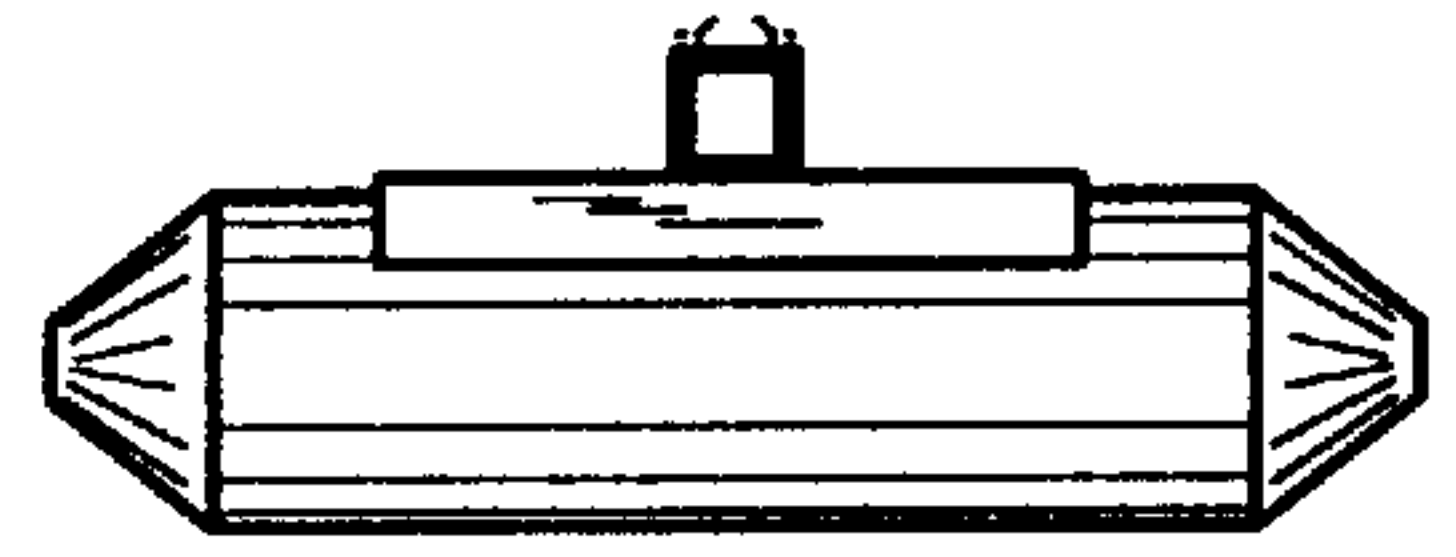


Fig. 6

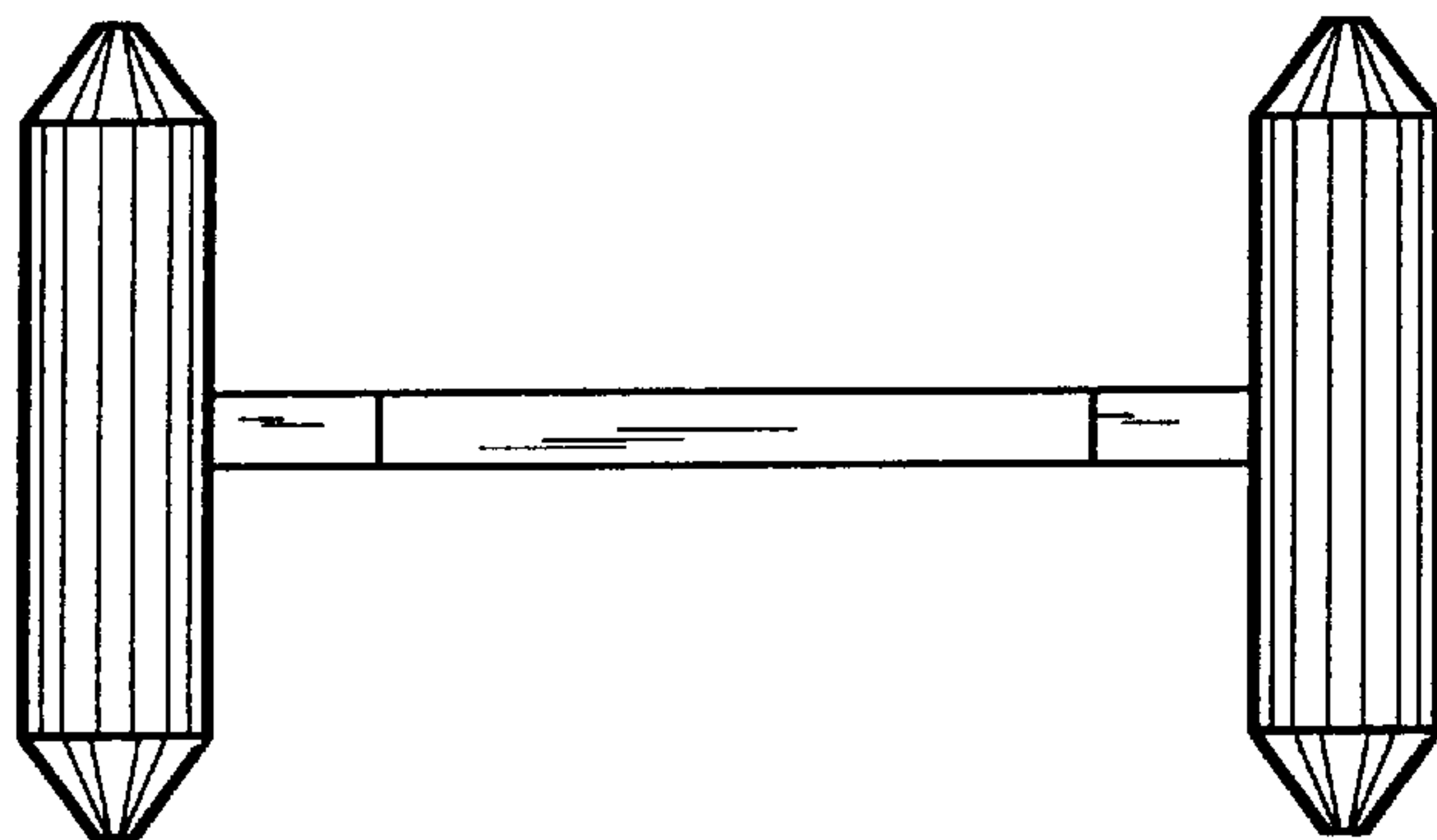


Fig. 5