



US00D440532S

(12) **United States Design Patent**  
**Sacco et al.**

(10) **Patent No.:** **US D440,532 S**

(45) **Date of Patent:** **\*\* Apr. 17, 2001**

- (54) **TRUNK LID FOR A VEHICLE**
- (75) Inventors: **Bruno Sacco**, Sindelfingen; **Peter Pfeiffer**, Boeblingen, both of (DE)
- (73) Assignee: **DaimlerChrysler AG**, Stuttgart (DE)
- (\*\*) Term: **14 Years**
- (21) Appl. No.: **29/128,212**
- (22) Filed: **Aug. 22, 2000**

- D. 395,847 \* 7/1998 Sacco et al. .... D12/92
- D. 417,645 \* 12/1999 Horbury et al. .... D12/196
- D. 419,510 \* 1/2000 Sacco et al. .... D12/196
- D. 433,653 \* 11/2000 Pfeiffer ..... D12/92

\* cited by examiner

*Primary Examiner*—Melody N. Brown

(74) *Attorney, Agent, or Firm*—Evenson, McKeown, Edwards & Lenahan, P.L.L.C.

**Related U.S. Application Data**

- (62) Division of application No. 29/086,743, filed on Apr. 20, 1998.
- (51) **LOC (7) Cl.** ..... **12-16**
- (52) **U.S. Cl.** ..... **D12/196**
- (58) **Field of Search** ..... D12/196, 90-92;  
296/185

**References Cited**

**U.S. PATENT DOCUMENTS**

- D. 368,448 \* 4/1996 Sacco et al. .... D12/92
- D. 372,689 \* 8/1996 Sacco et al. .... D12/92
- D. 380,178 \* 6/1997 Sacco et al. .... D12/92
- D. 387,318 \* 12/1997 Lagaay et al. .... D12/196
- D. 393,440 4/1998 Pfeiffer et al. .... D12/196
- D. 393,610 4/1998 Sacco et al. .... D12/92

(57) **CLAIM**

The ornamental design for a trunk lid for a vehicle, as shown and described.

**DESCRIPTION**

FIG. 1 is a front, right perspective view of a trunk lid for a vehicle according to my novel design, the front, left perspective view being mirror symmetrical;

FIG. 2 is a front view of the trunk lid for a vehicle according to my novel design;

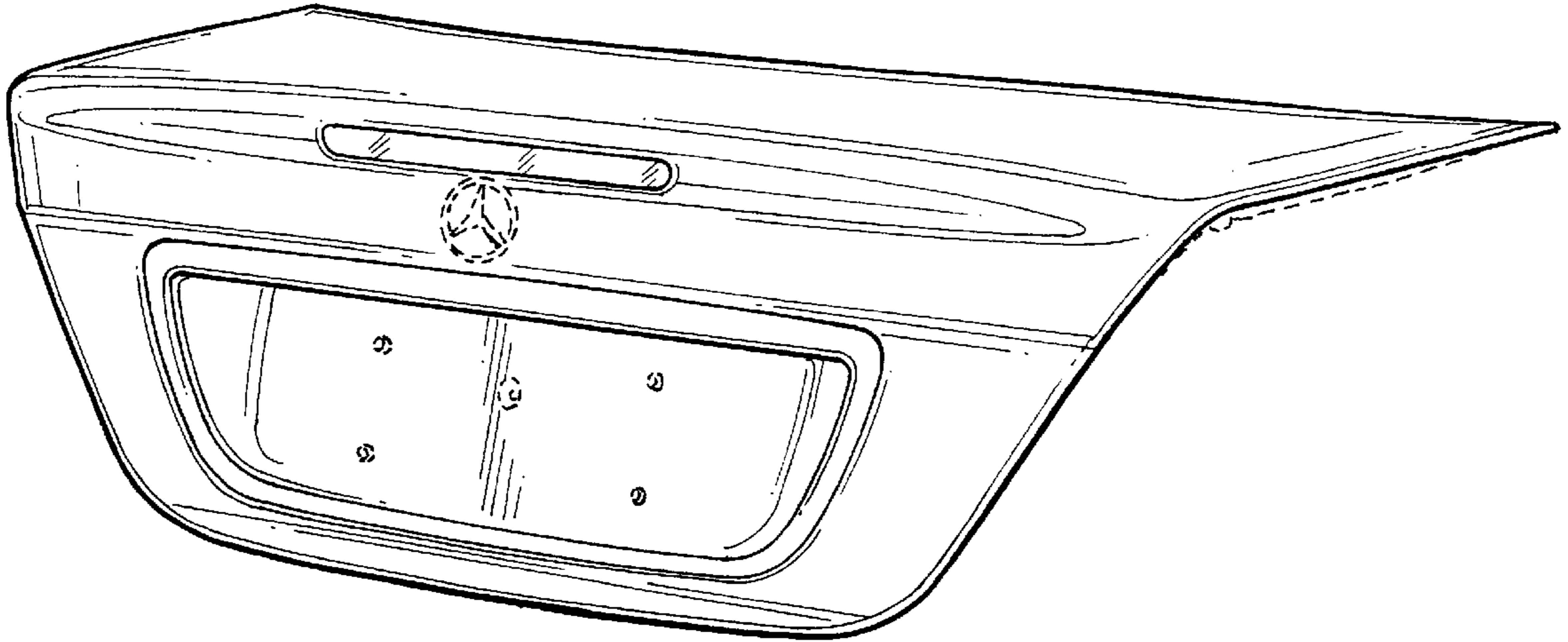
FIG. 3 is left side view of the trunk lid for a vehicle according to my novel design;

FIG. 4 is a right side view of the trunk lid for a vehicle according to my novel design; and,

FIG. 5 is top view of the trunk lid for a vehicle according to my novel design.

The broken lines included depict environment and are not part of the claimed design.

**1 Claim, 2 Drawing Sheets**



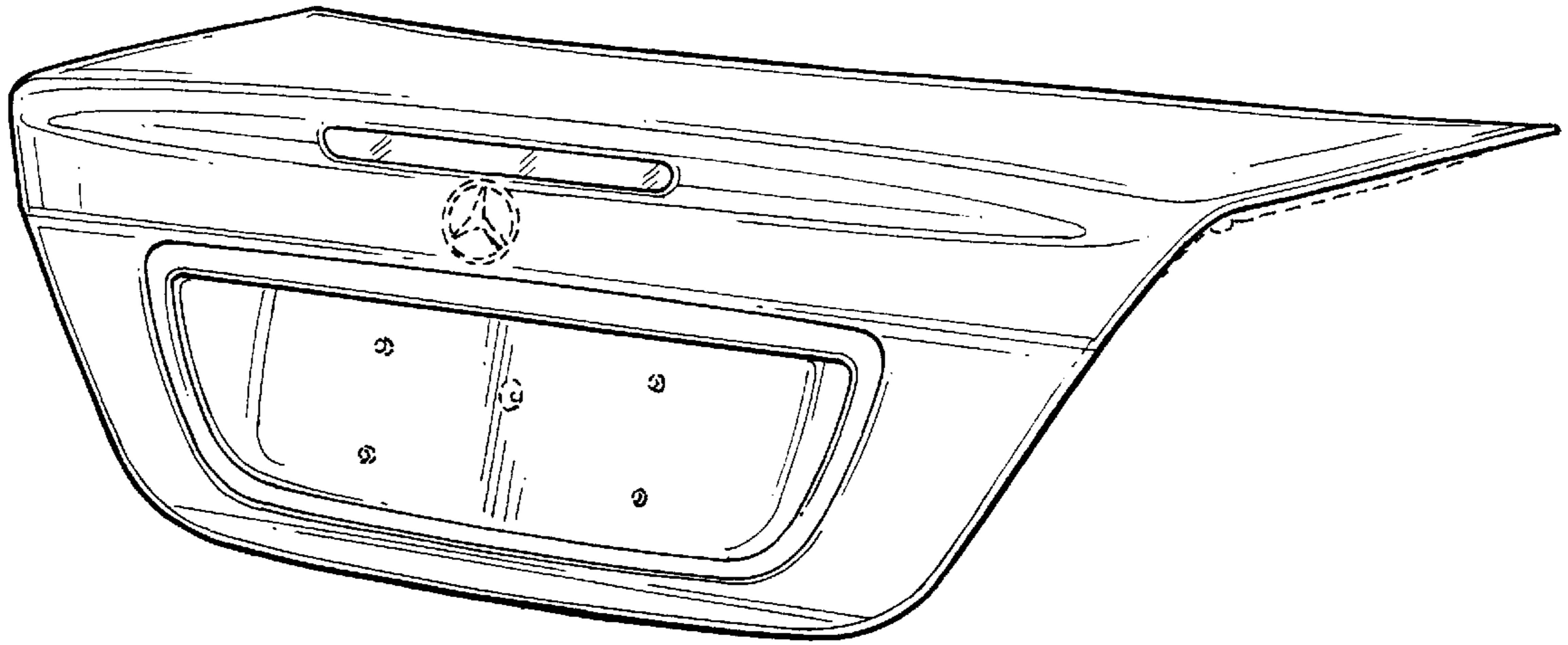


FIG. 1

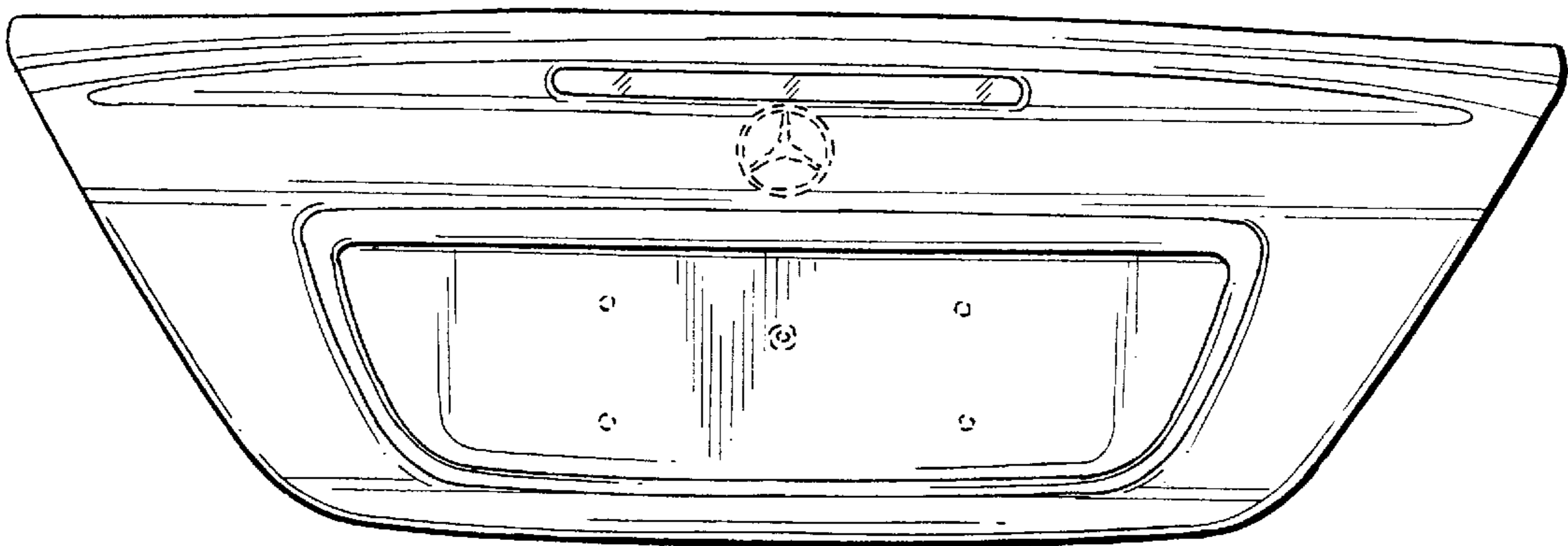


FIG. 2

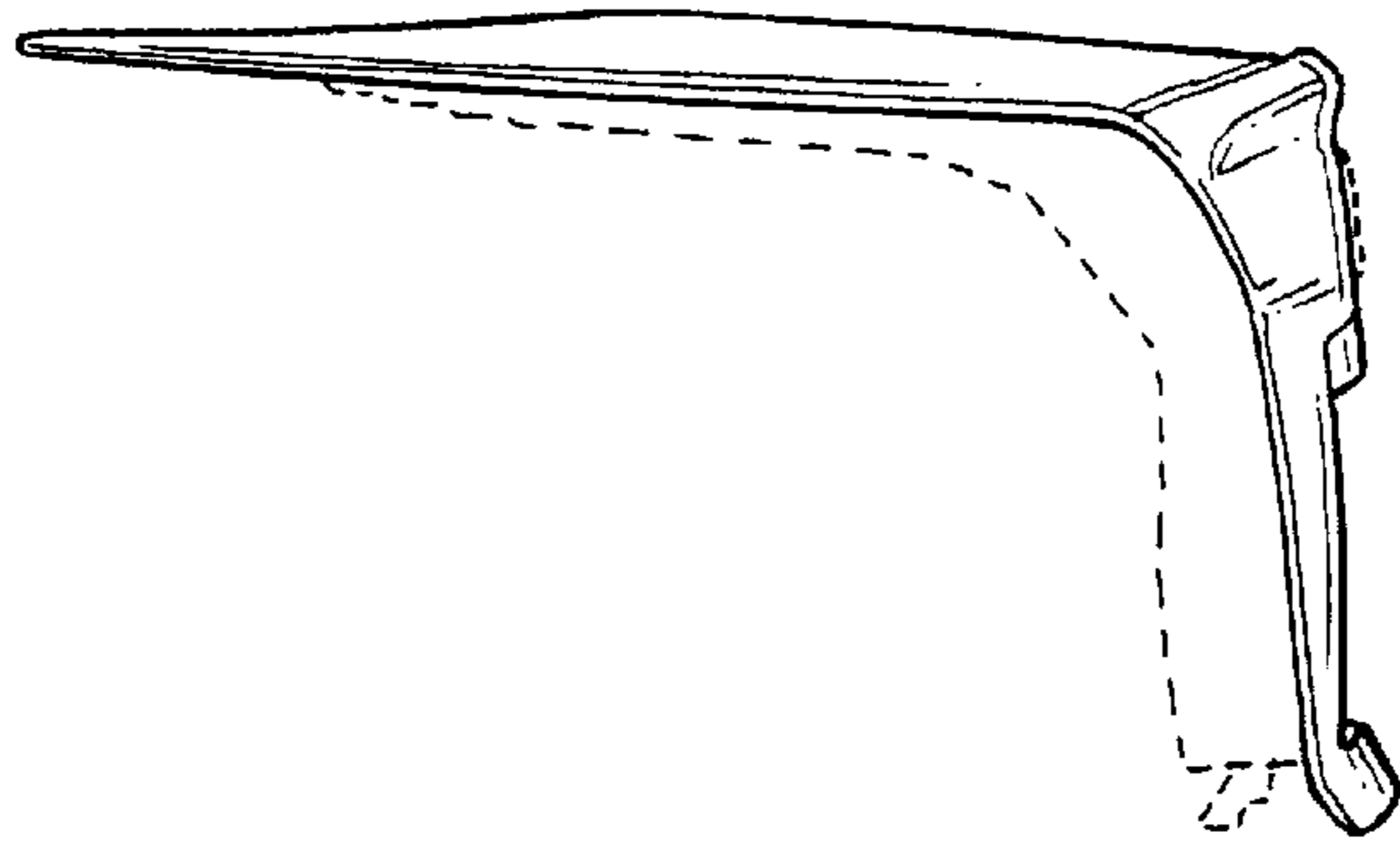


FIG. 3

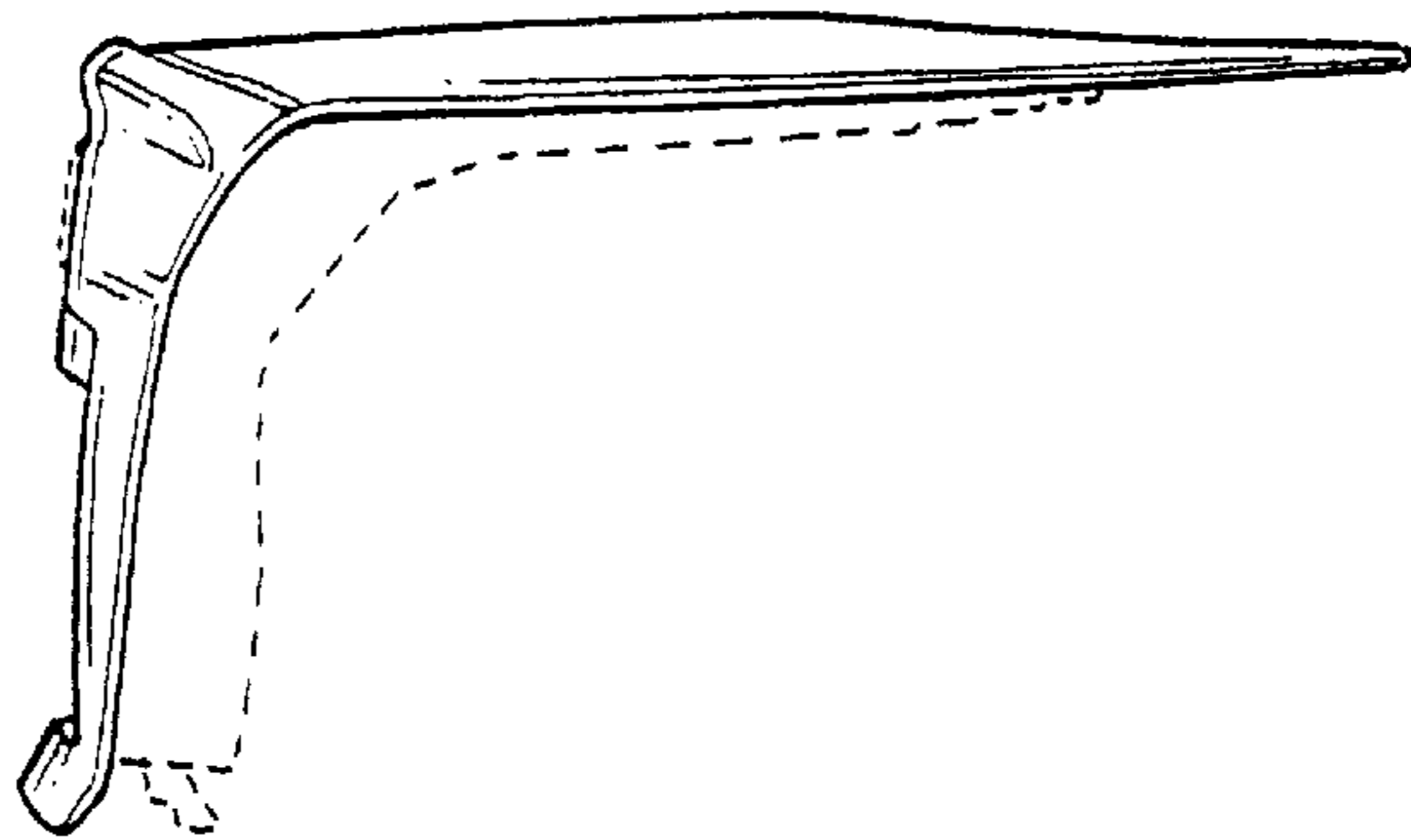


FIG. 4

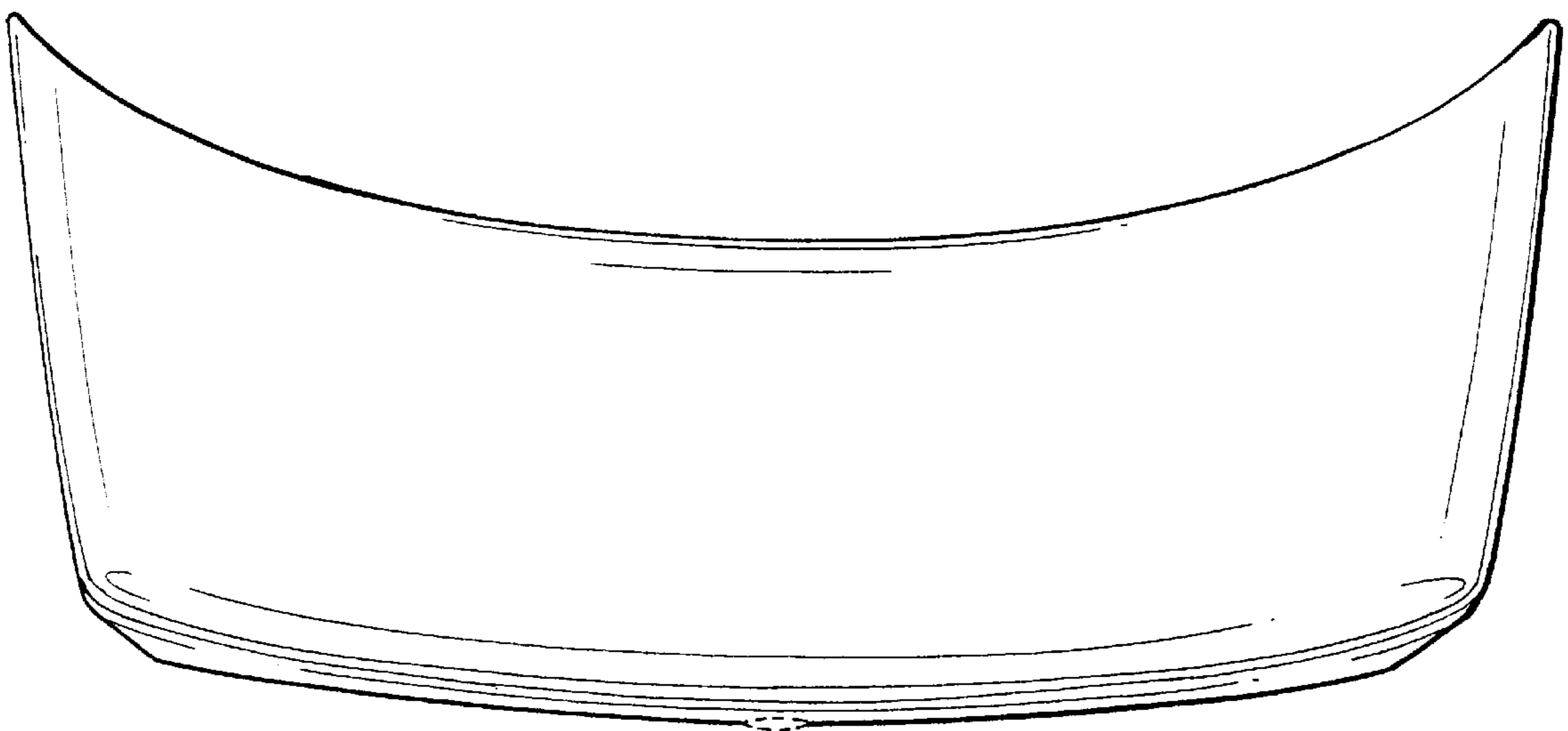


FIG. 5