



US00D440530S

(12) **United States Design Patent**
Geisler

(10) **Patent No.:** **US D440,530 S**

(45) **Date of Patent:** **** Apr. 17, 2001**

(54) **BRUSH AND GRILL GUARD**

(75) **Inventor:** **Richard J. Geisler**, Oregon City, OR
(US)

(73) **Assignee:** **Warn Industries, Inc.**, Milwaukie, OR
(US)

(**) **Term:** **14 Years**

(21) **Appl. No.:** **29/123,282**

(22) **Filed:** **May 11, 2000**

(51) **LOC (7) Cl.** **12-16**

(52) **U.S. Cl.** **D12/171**

(58) **Field of Search** D12/171, 163;
293/102, 103, 115, 120, 121, 144

(56) **References Cited**

U.S. PATENT DOCUMENTS

- D. 300,420 3/1989 Trinnaman .
- D. 361,316 8/1995 Orth .
- D. 388,042 12/1997 Thorne .
- D. 416,219 11/1999 Waagenaar .

- D. 420,962 2/2000 Chevalier .
- D. 422,952 4/2000 Waagenaar .
- D. 422,953 4/2000 Waagenaar .
- D. 425,462 * 5/2000 Ujiie D12/171
- D. 427,121 * 6/2000 Hartoz D12/171
- 4,671,552 6/1987 Anderson .

* cited by examiner

Primary Examiner—Melody N. Brown

(74) *Attorney, Agent, or Firm*—Robert L. Harrington

(57) **CLAIM**

The ornamental design of a brush and grill guard for a vehicle.

DESCRIPTION

FIG. 1 is a perspective view of a brush and grill guard showing our new design;

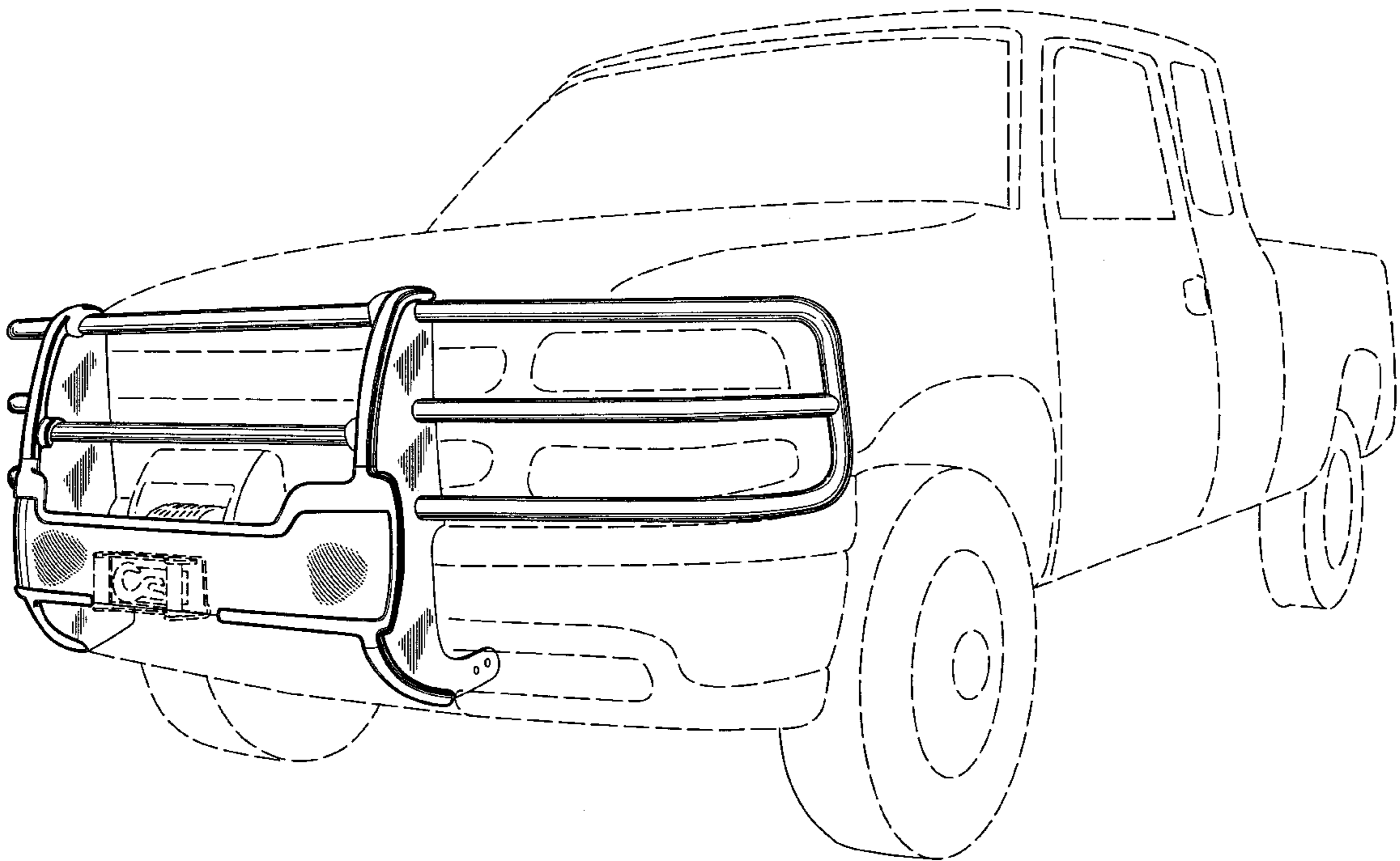
FIG. 2 is a top view thereof;

FIG. 3 is a front view thereof; and,

FIG. 4 is a side view thereof.

The broken lines illustrating the vehicle are for illustrative purposes only and form no part of the claimed design.

1 Claim, 2 Drawing Sheets



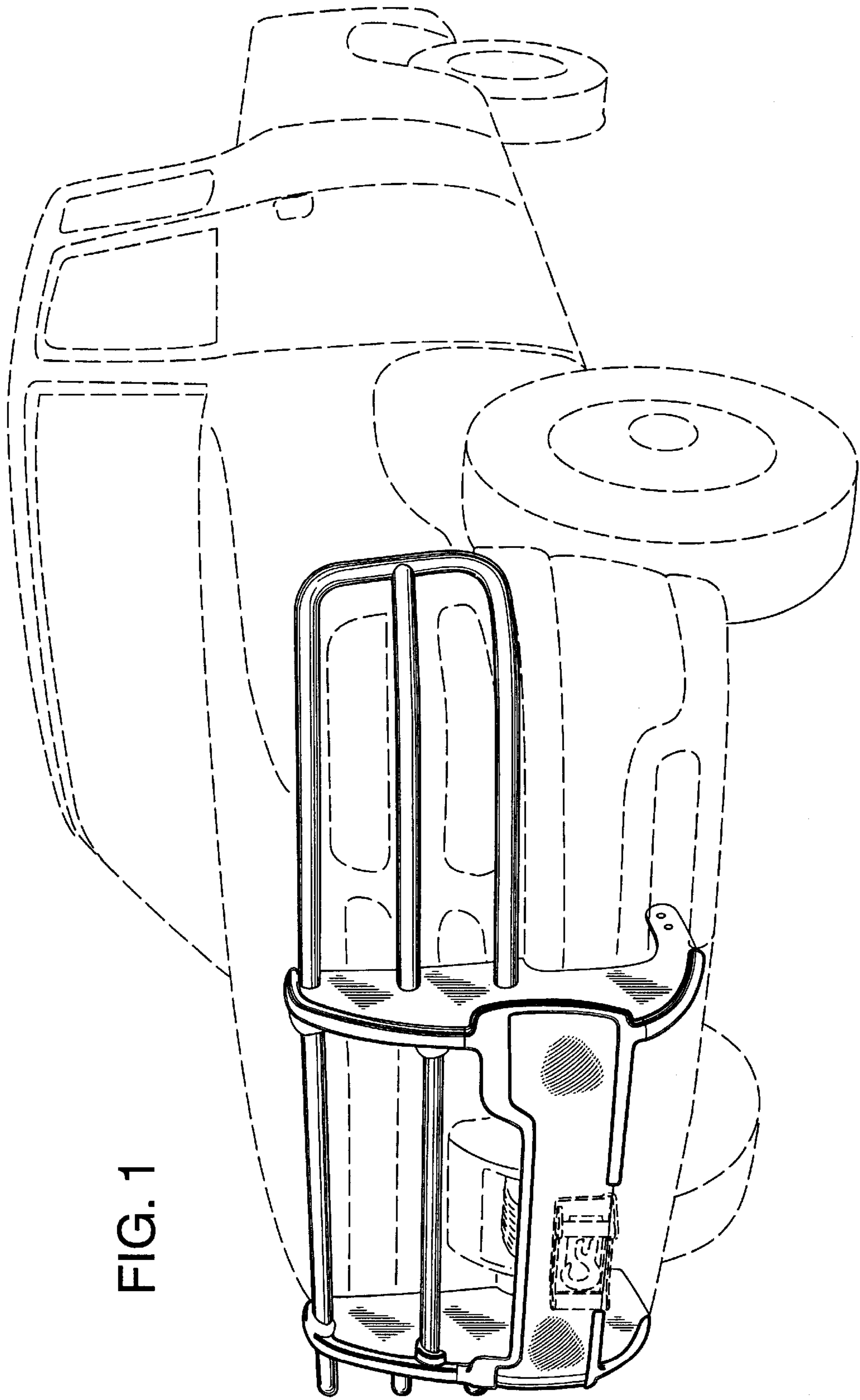


FIG. 1

FIG. 2

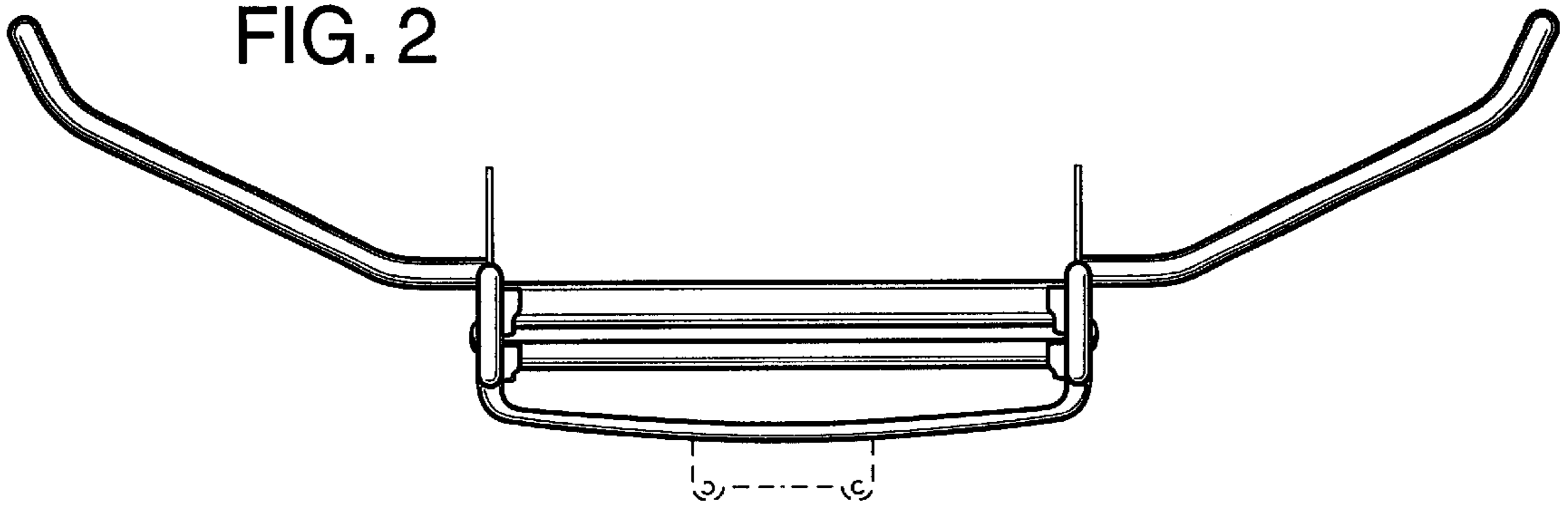


FIG. 3

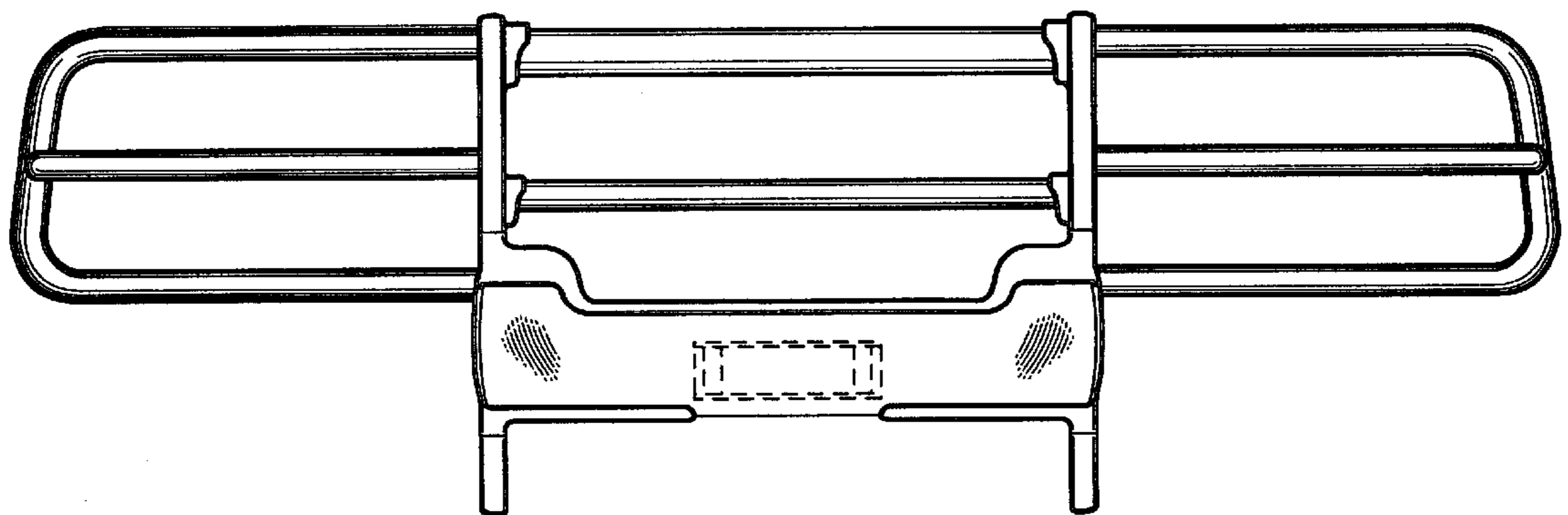


FIG. 4

