



US00D440526S

(12) **United States Design Patent**  
**Dehner et al.**

(10) **Patent No.:** **US D440,526 S**

(45) **Date of Patent:** **\*\* Apr. 17, 2001**

(54) **AUTOMOBILE BODY**

D. 420,940 \* 2/2000 McMahan et al. .... D12/92

(75) Inventors: **Joseph S. Dehner**, Bloomfield; **K. Neil Walling**, Leonard; **John E. Crain**, Birmingham, all of MI (US)

\* cited by examiner

*Primary Examiner*—Melody N. Brown  
(74) *Attorney, Agent, or Firm*—Mark P. Calcaterra

(73) Assignee: **DaimlerChrysler Corporation**, Auburn Hills, MI (US)

(57) **CLAIM**

(\*\*) Term: **14 Years**

The ornamental design for an automobile body, as shown and described.

(21) Appl. No.: **29/116,694**

**DESCRIPTION**

(22) Filed: **Jan. 7, 2000**

FIG. 1 is a perspective view of the front and left side of a vehicle body showing our new design;

(51) **LOC (7) Cl.** ..... **12-08**

FIG. 2 is a perspective view of the rear and left side thereof; FIG. 3 is a left side view thereof, it being understood that the opposite side not shown is a substantial mirror image thereof;

(52) **U.S. Cl.** ..... **D12/92**

FIG. 4 is a front view thereof;

(58) **Field of Search** ..... D12/90-92; 296/185

FIG. 5 is a rear view thereof;

(56) **References Cited**

FIG. 6 is a front and left side perspective view of an alternative embodiment, the sole difference being the elimination of fog lamps from the front fascia; and, FIG. 7 is a front view thereof.

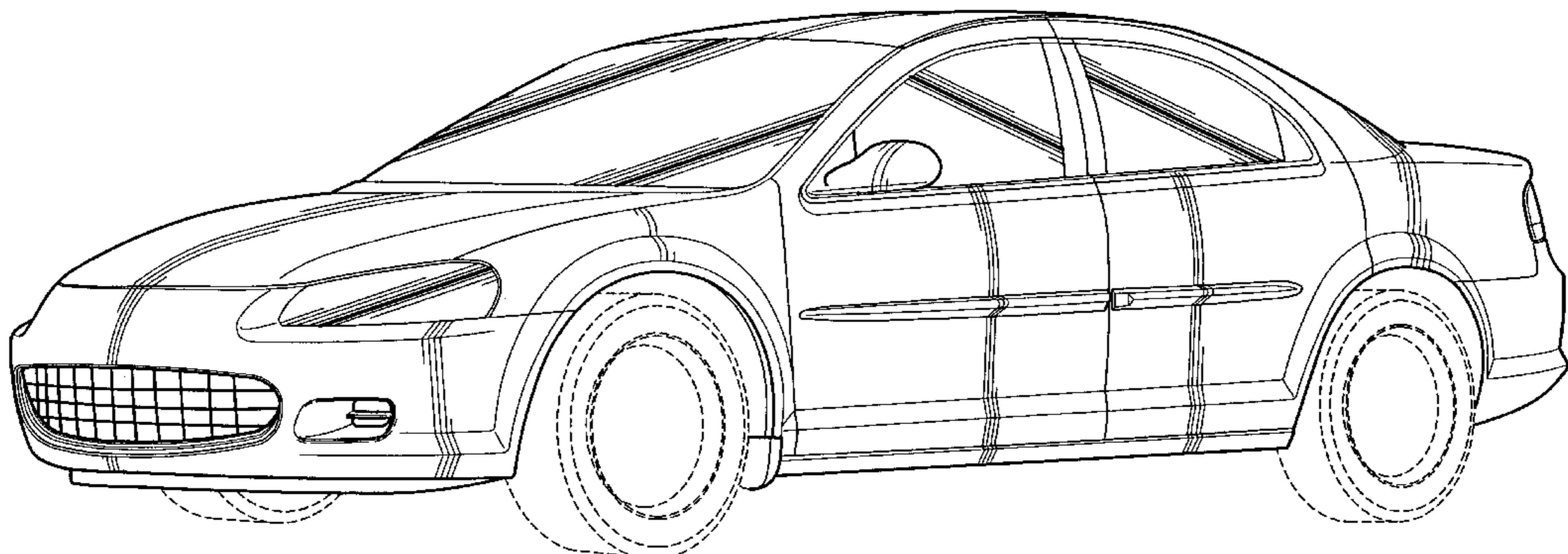
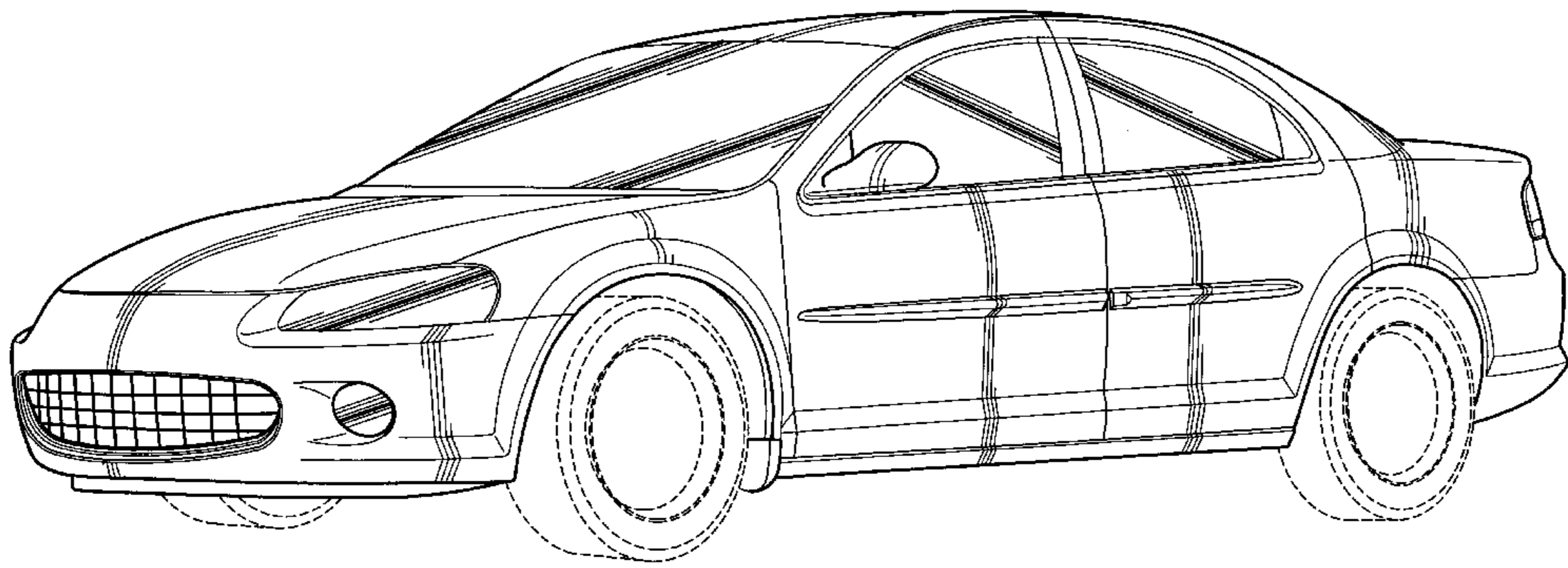
**U.S. PATENT DOCUMENTS**

D. 345,719	4/1994	Anness et al. ....	D12/92
D. 347,200	5/1994	Anness et al. ....	D12/92
D. 350,086	8/1994	Kong et al. ....	D12/92
D. 351,573	10/1994	Kong et al. ....	D12/92
D. 366,231	1/1996	Wagner et al. ....	D12/92
D. 405,389 *	2/1999	Trostle .....	D12/92
D. 406,550 *	3/1999	Castiglione et al. ....	D12/92
D. 408,328	4/1999	Ayoub et al. ....	D12/92
D. 413,083 *	8/1999	Odetta et al. ....	D12/92

It will be understood that the top is plain and unornamental and further that the hidden line shown throughout the drawings is for illustration only, forming no part of the claimed design.

It will be further understood that the top is plain and unornamented.

**1 Claim, 6 Drawing Sheets**



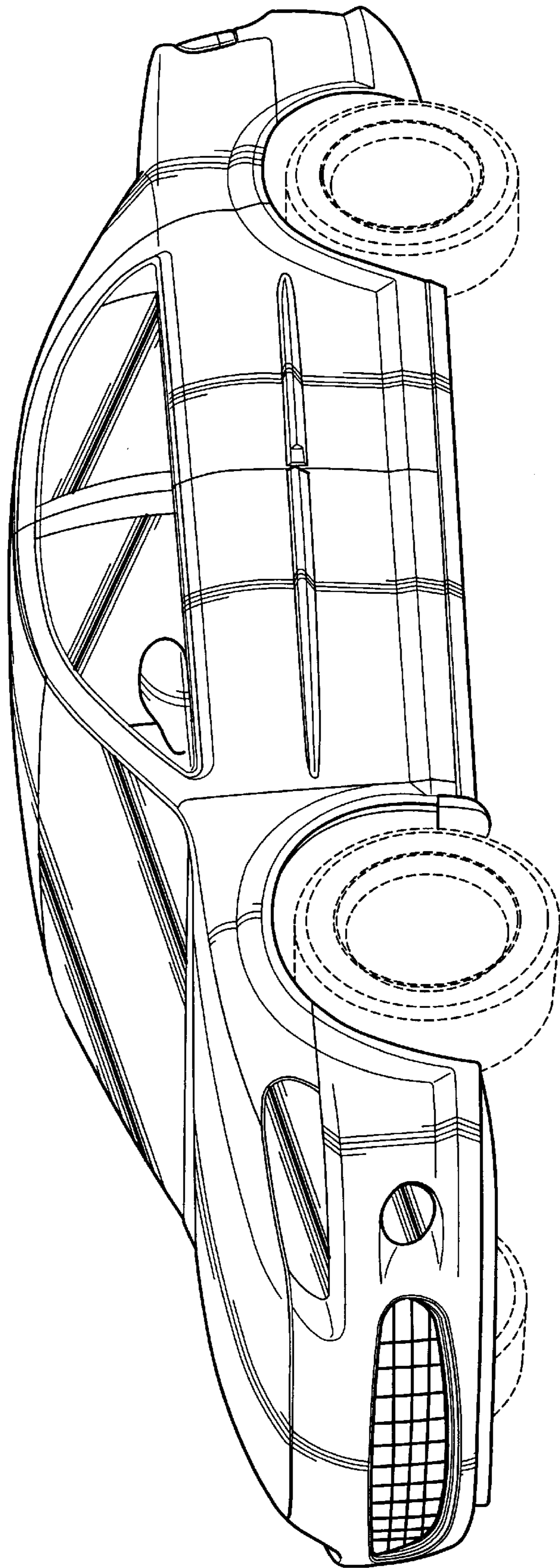


Figure - 1

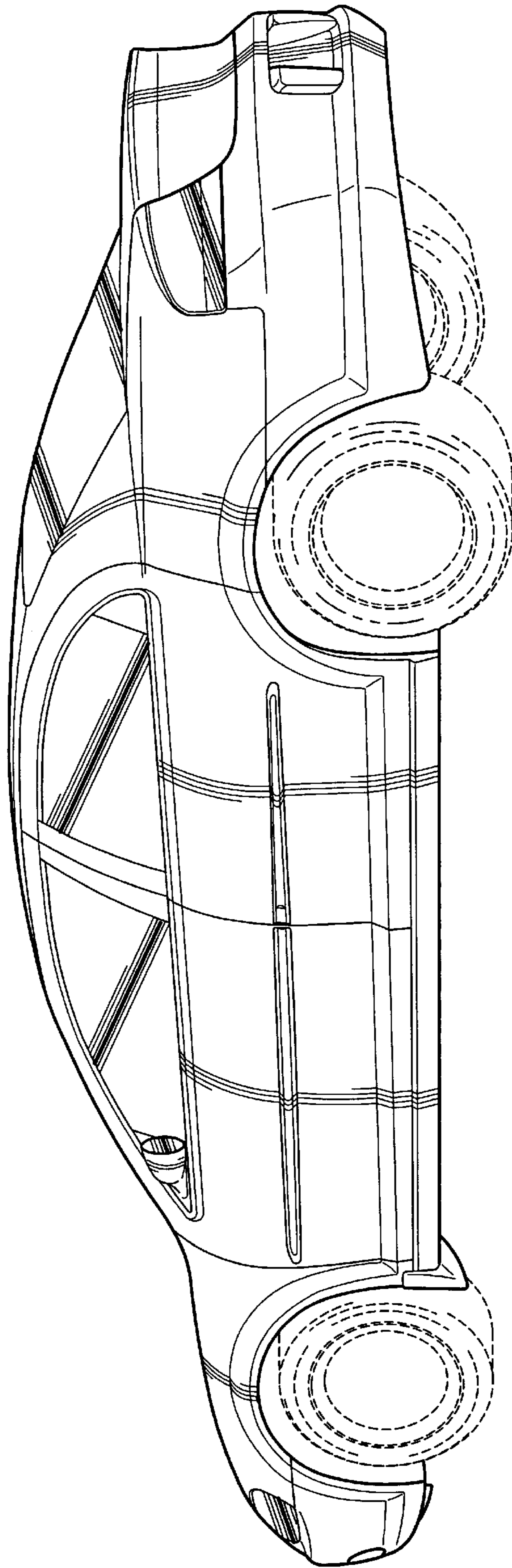


Figure - 2

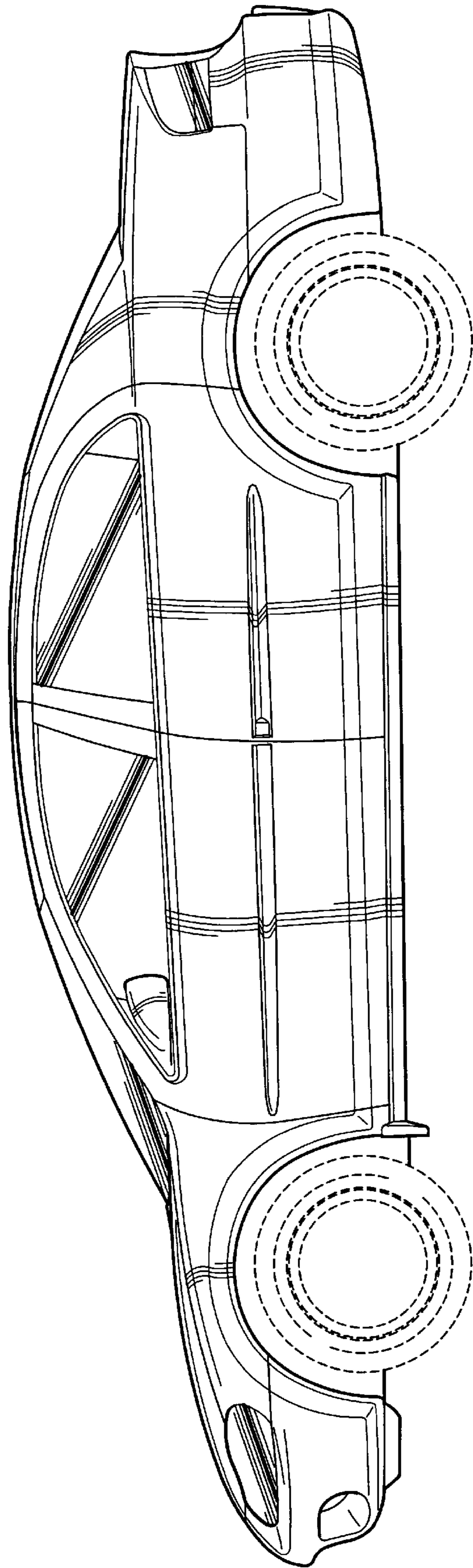


Figure - 3

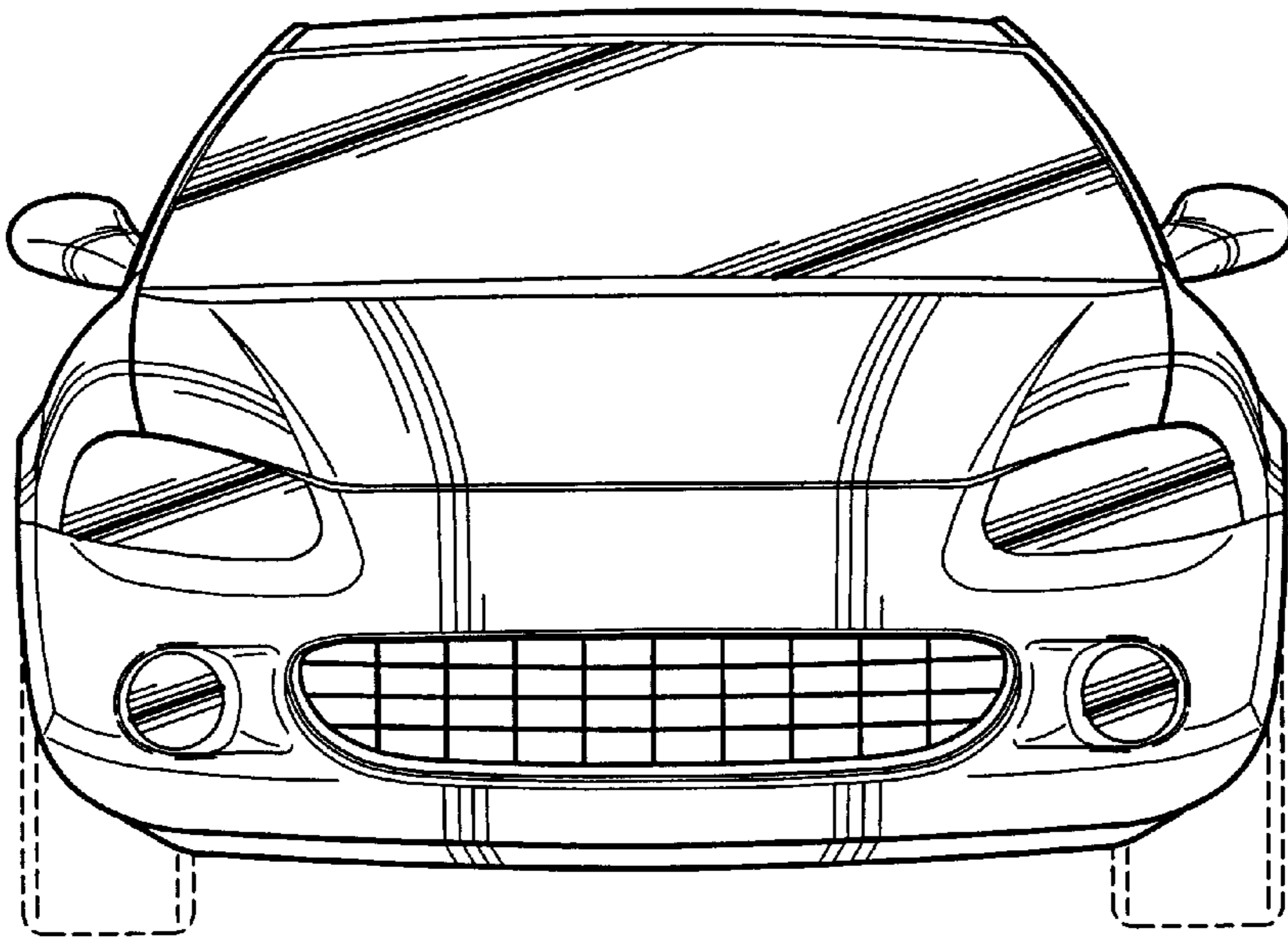


Figure - 4

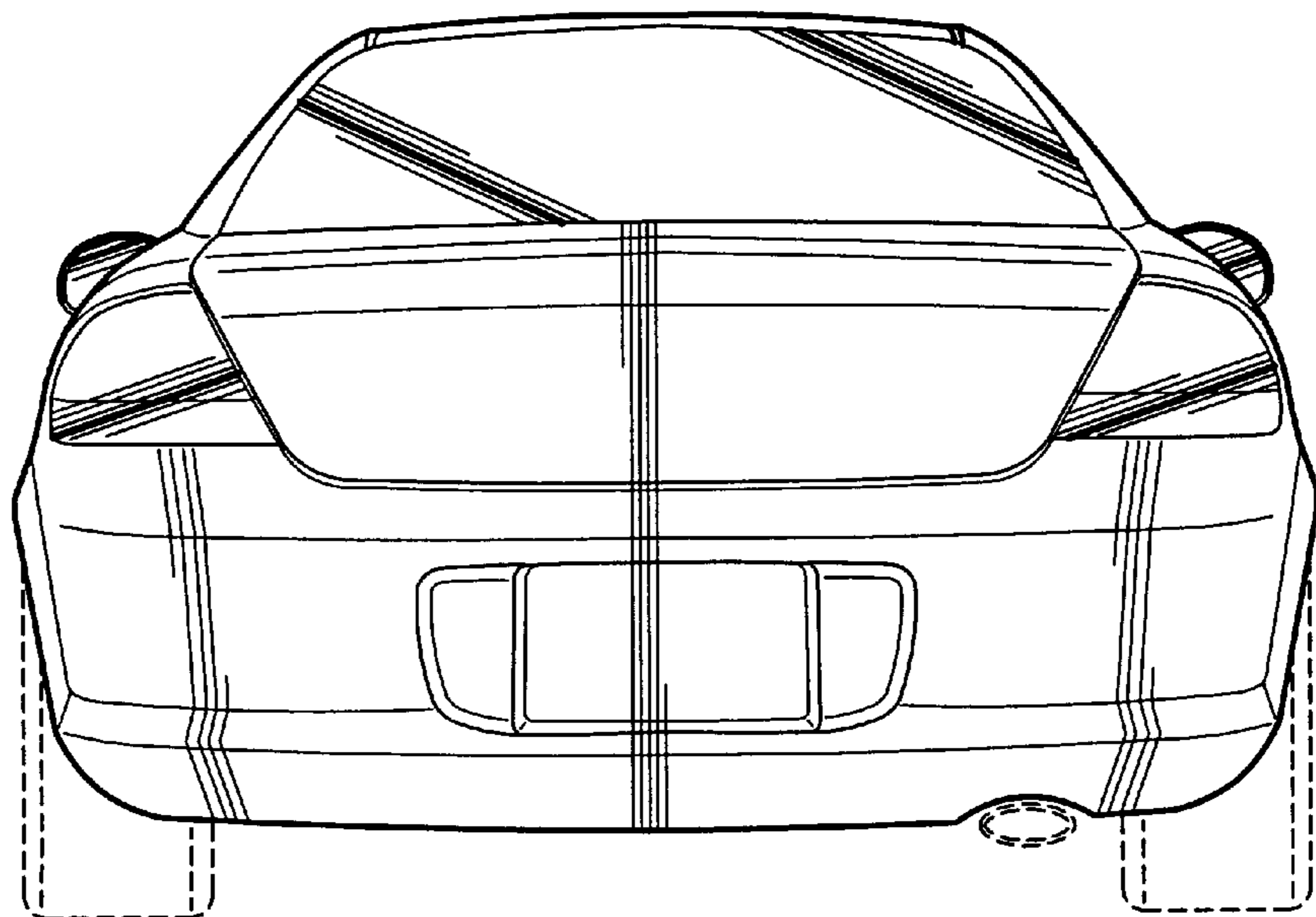


Figure - 5

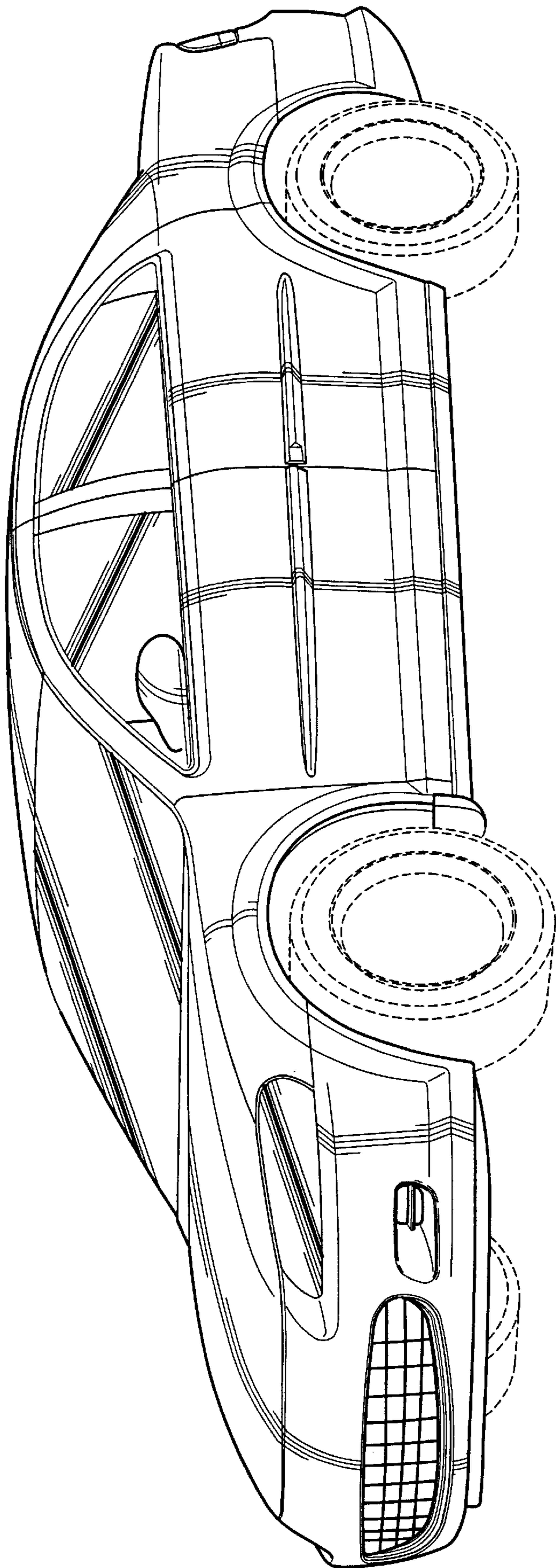


Figure - 6

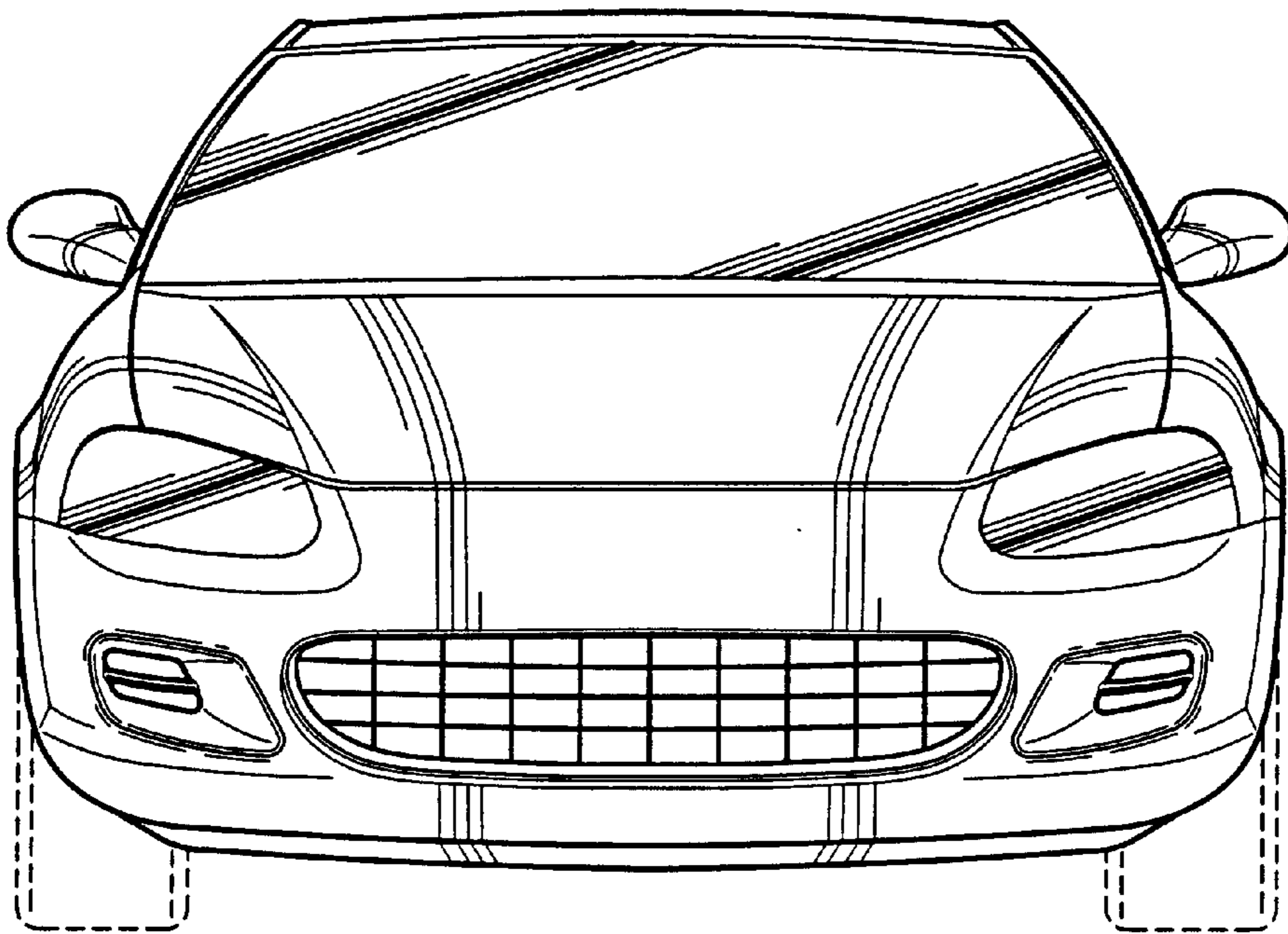


Figure - 7