



US00D440519S

(12) **United States Design Patent**
Versace

(10) **Patent No.:** **US D440,519 S**

(45) **Date of Patent:** **** Apr. 17, 2001**

(54) **PENDANT WAVE**

(75) Inventor: **Donatella Versace**, Milan (IT)

(73) Assignee: **Gianni Versace, SpA**, Milan (IT)

(**) Term: **14 Years**

(21) Appl. No.: **29/113,020**

(22) Filed: **Oct. 28, 1999**

(30) **Foreign Application Priority Data**

Apr. 28, 1999 (IT) MI9900246

(51) **LOC (7) Cl.** **11-01**

(52) **U.S. Cl.** **D11/78**

(58) **Field of Search** D11/1, 2, 40, 43-44,
D11/48-50, 78-82, 54, 102, 95-96, 99,
100, 101, 107, 104, 116, 62; 63/13, 14.1,
23

(56) **References Cited**

U.S. PATENT DOCUMENTS

D. 170,370 * 9/1953 Philippe D11/78

* cited by examiner

Primary Examiner—Ralf Seifert

(74) *Attorney, Agent, or Firm*—Eric Bleich

(57) **CLAIM**

I claim the ornamental design for the pendant wave, as shown and described.

DESCRIPTION

FIG. 1 is a front perspective view of the new ornamental pendant wave of the present invention.

FIG. 2 is a front view thereof.

FIG. 3 is a back view thereof.

FIG. 4 is a left side view, of which the right side is a mirror image thereof.

FIG. 5 is a top view thereof; and,

FIG. 6 is a bottom view thereof.

1 Claim, 3 Drawing Sheets





Fig. 1



Fig. 2

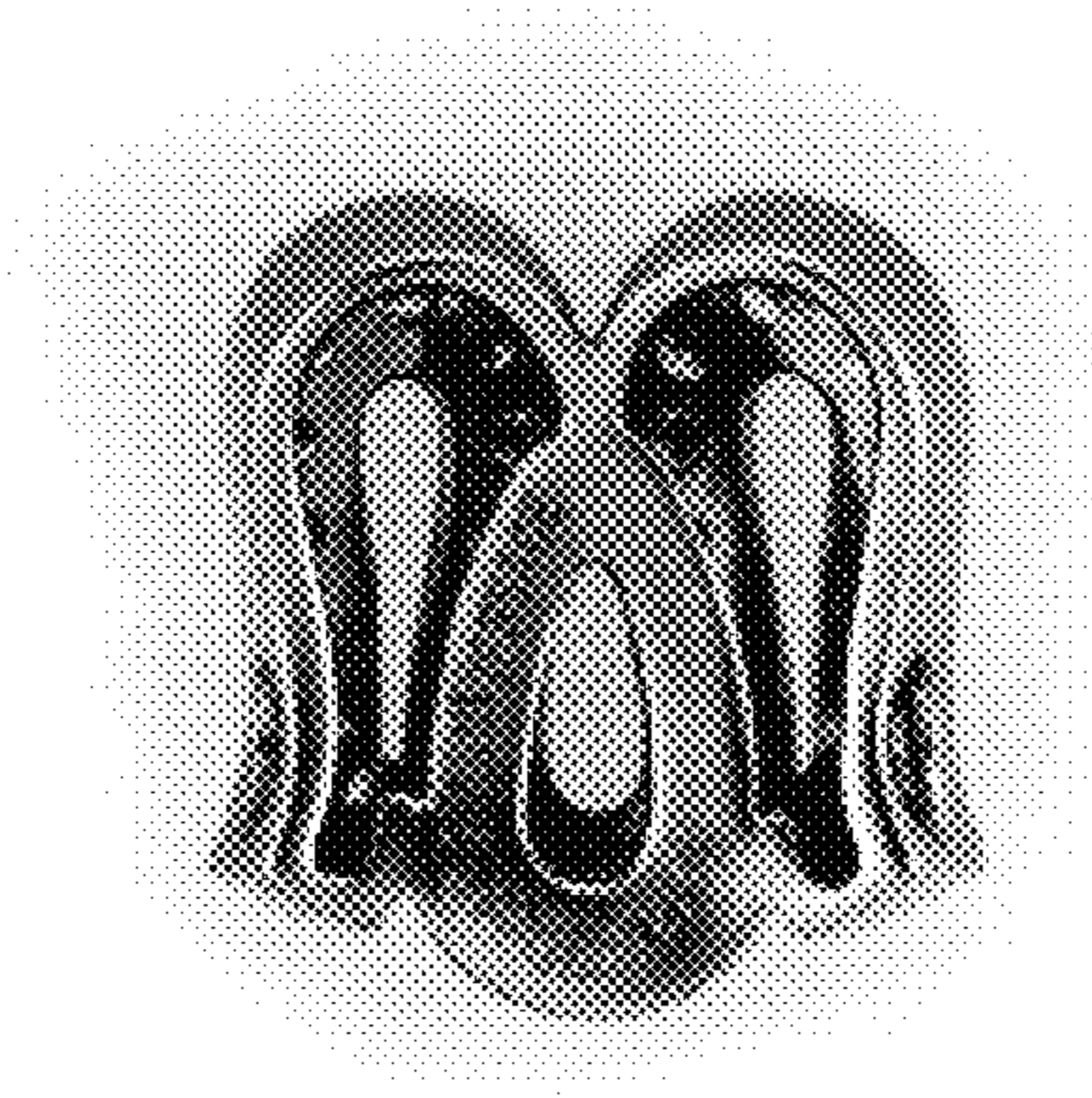


Fig. 3



Fig. 4

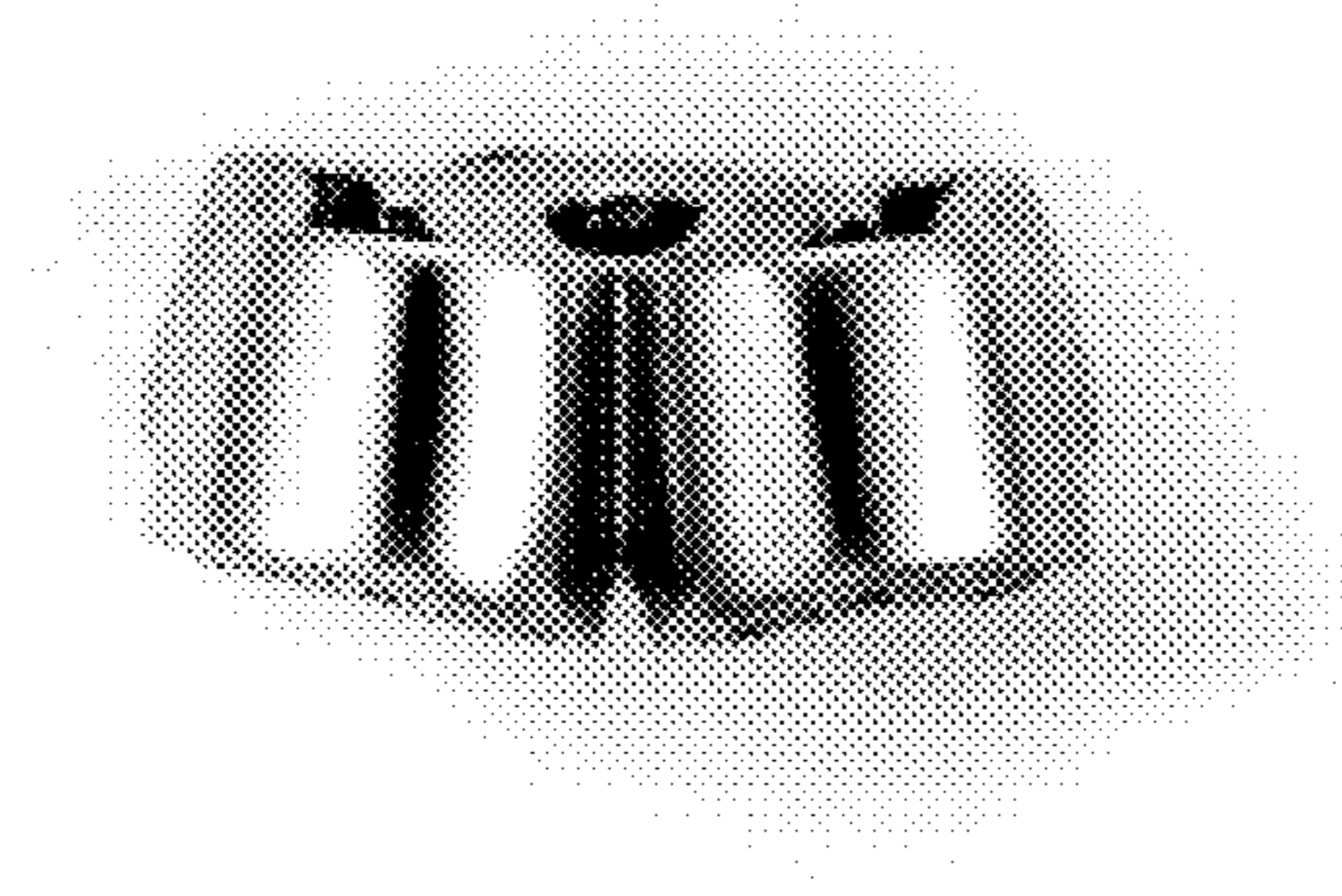


Fig. 5

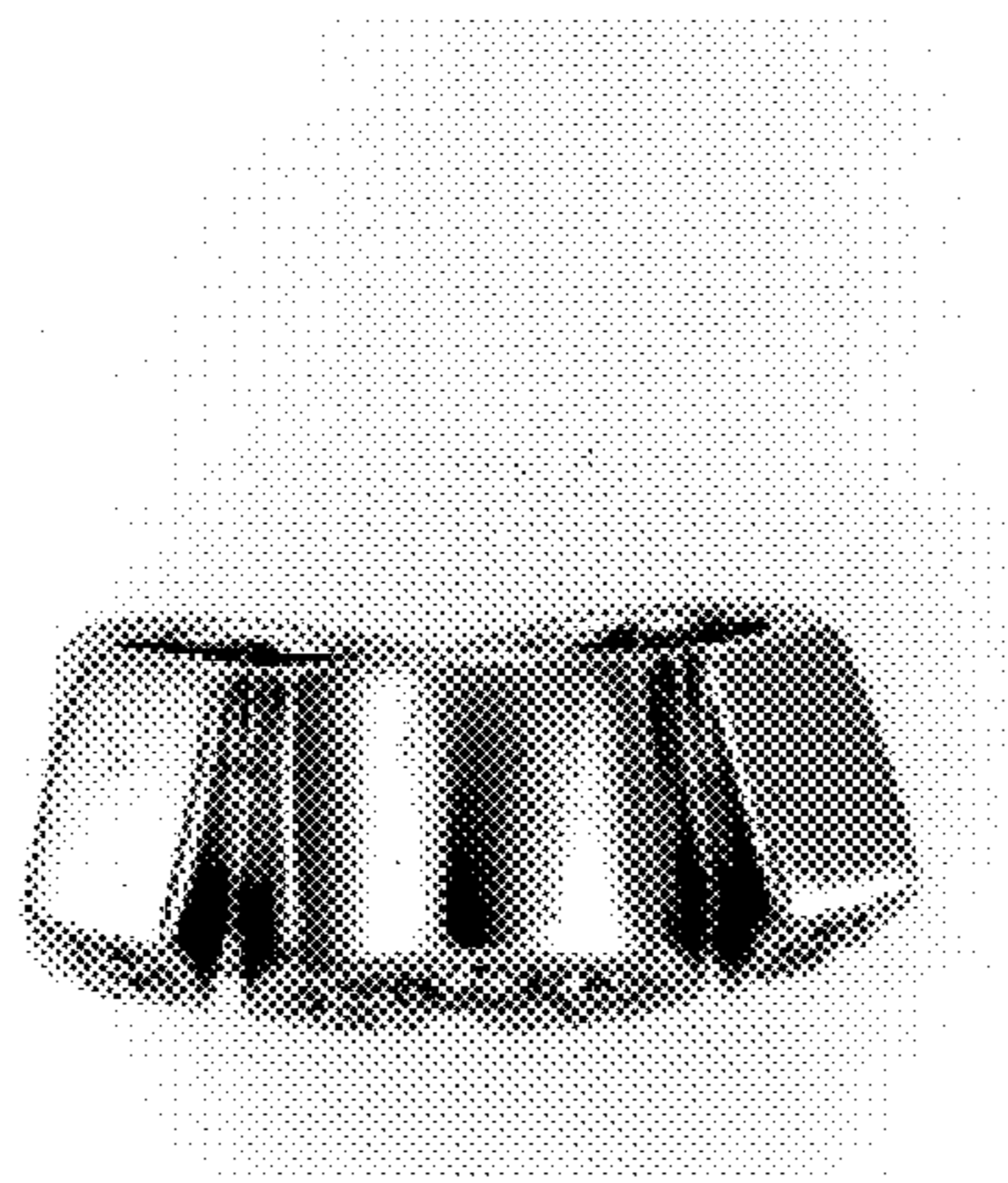


Fig. 6