



US00D440516S

(12) **United States Design Patent**  
**Siemon**

(10) **Patent No.:** **US D440,516 S**

(45) **Date of Patent:** **\*\* Apr. 17, 2001**

(54) **RING**

(76) **Inventor:** **Robert G. Siemon**, #1 Harbor Light,  
Newport Coast, CA (US) 92657

(\*\*) **Term:** **14 Years**

(21) **Appl. No.:** **29/120,448**

(22) **Filed:** **Mar. 17, 2000**

(51) **LOC (7) Cl.** ..... **11-01**

(52) **U.S. Cl.** ..... **D11/26**

(58) **Field of Search** ..... D11/26-39, 57-58,  
D11/91-92, 95-96; 63/15, 15.1-15.9, 26-28,  
35, 3

(56) **References Cited**

**U.S. PATENT DOCUMENTS**

D. 39,309	*	5/1908	Carey	.....	D11/26
D. 39,623	*	10/1908	DeLuisi	.....	D11/32
D. 54,335	*	12/1919	Shanley	.....	D11/96
D. 67,343	*	5/1925	Hyman	.....	D11/32
D. 120,618	*	5/1940	Haegels	.....	D11/26
D. 168,875	*	2/1953	Zimet	.....	D11/37
D. 182,575	*	8/1958	Drucker	.....	D11/39
D. 234,029	*	12/1974	Leo	.....	D11/26
D. 237,531	*	11/1975	Poulin	.....	D11/26

D. 249,780	*	10/1978	Gonzalez	.....	D11/30
D. 319,604	*	9/1991	Peterson	.....	D11/95
D. 365,781	*	1/1996	Osborn	.....	D11/96
D. 379,600	*	6/1997	Gardner	.....	D11/27
D. 402,570	*	12/1998	Wright et al.	.....	D11/30
D. 423,392	*	4/2000	Dyck	.....	D11/26
1,473,717	*	11/1923	Atkinson	.....	D11/28

\* cited by examiner

*Primary Examiner*—Cathy Anne MacCormac

(74) *Attorney, Agent, or Firm*—Myers, Dawes & Andras;  
Joseph C. Andras

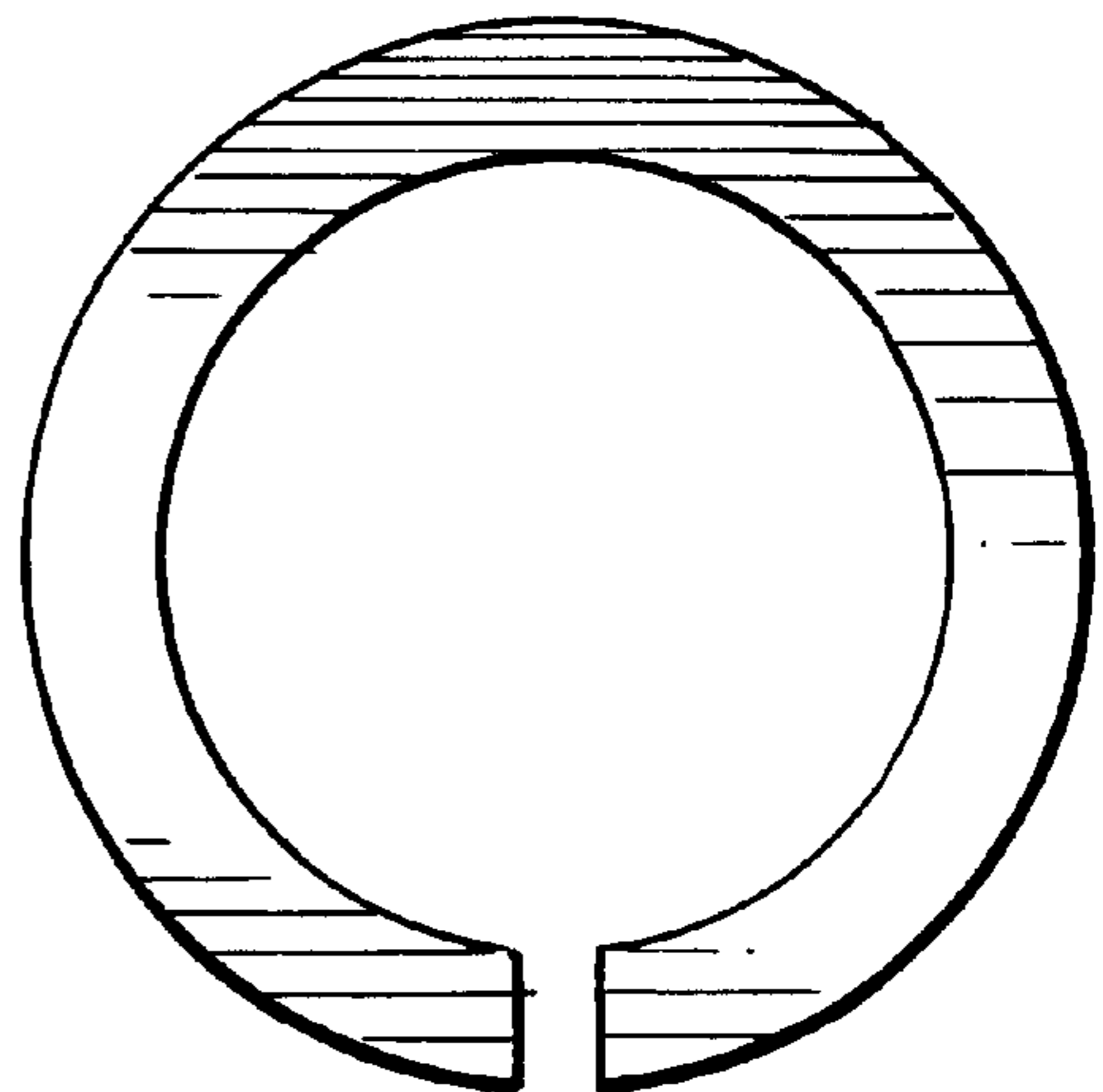
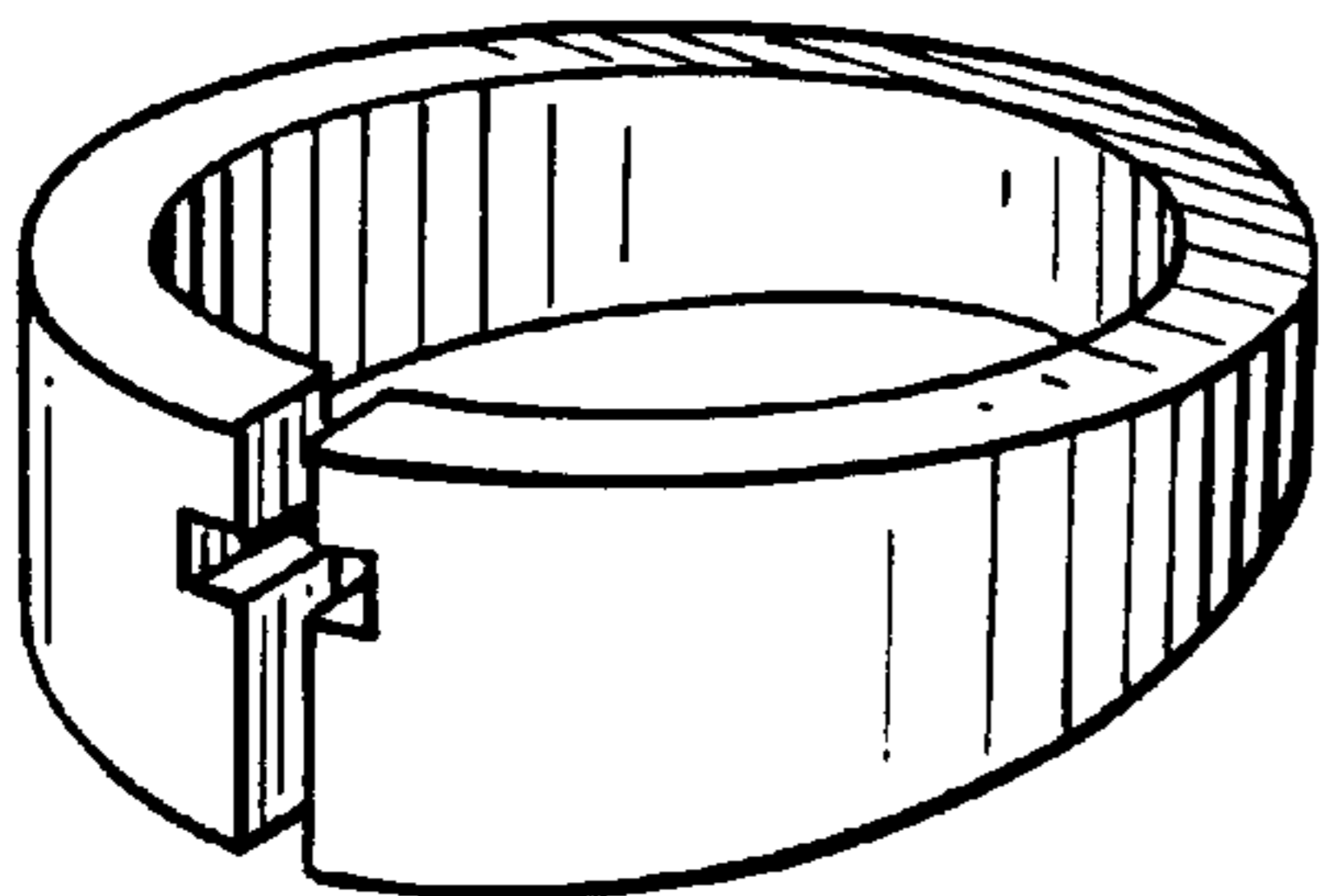
(57) **CLAIM**

I claim the ornamental design for the ring, as shown and described.

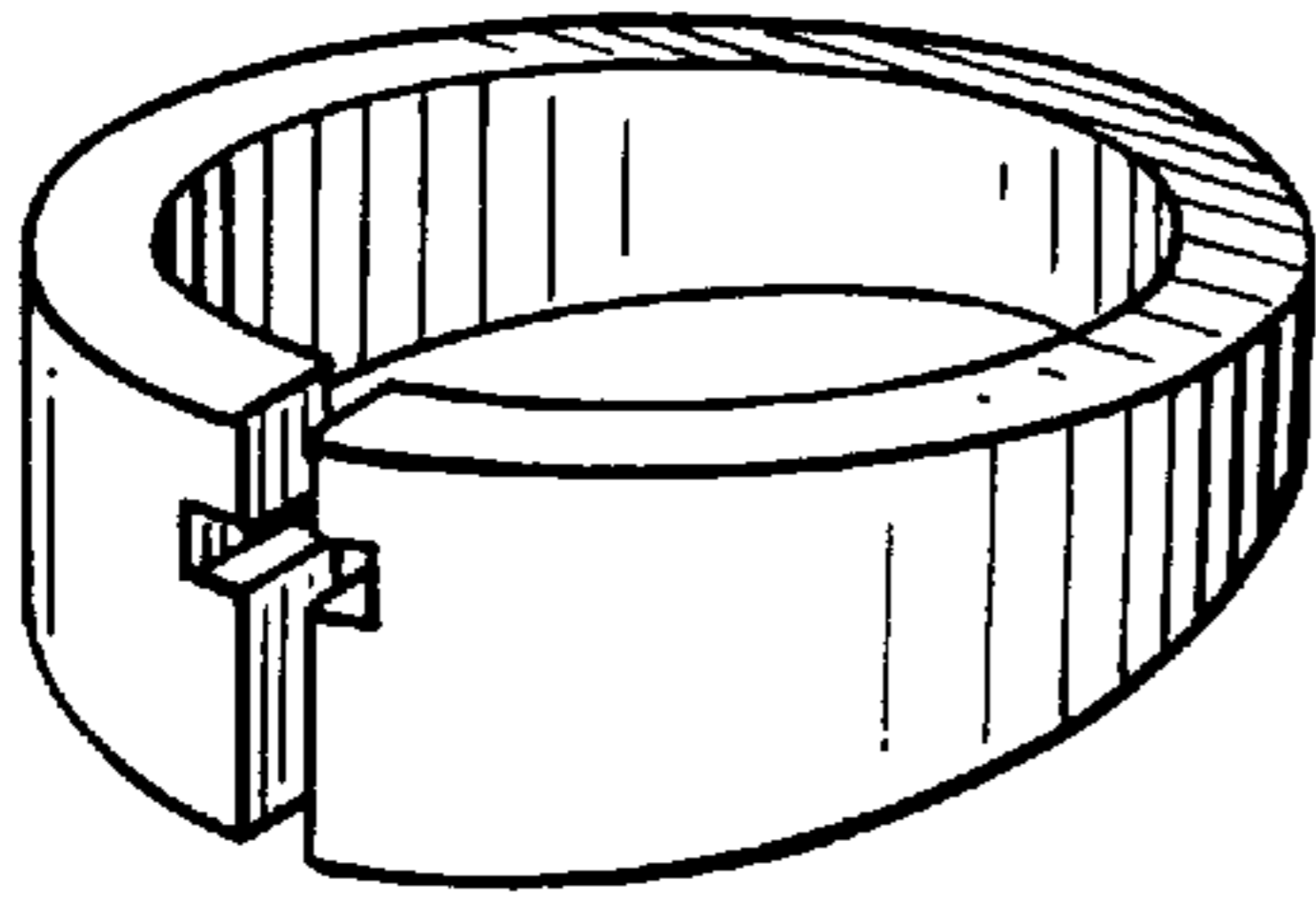
**DESCRIPTION**

FIG. 1 is a perspective view of the present invention;  
FIG. 2 is a top plan view thereof;  
FIG. 3 is a front elevational view thereof;  
FIG. 4 is a right-side elevational view thereof;  
FIG. 5 is a left-side elevational view thereof;  
FIG. 6 is a back elevational view thereof; and,  
FIG. 7 is a bottom plan view thereof.

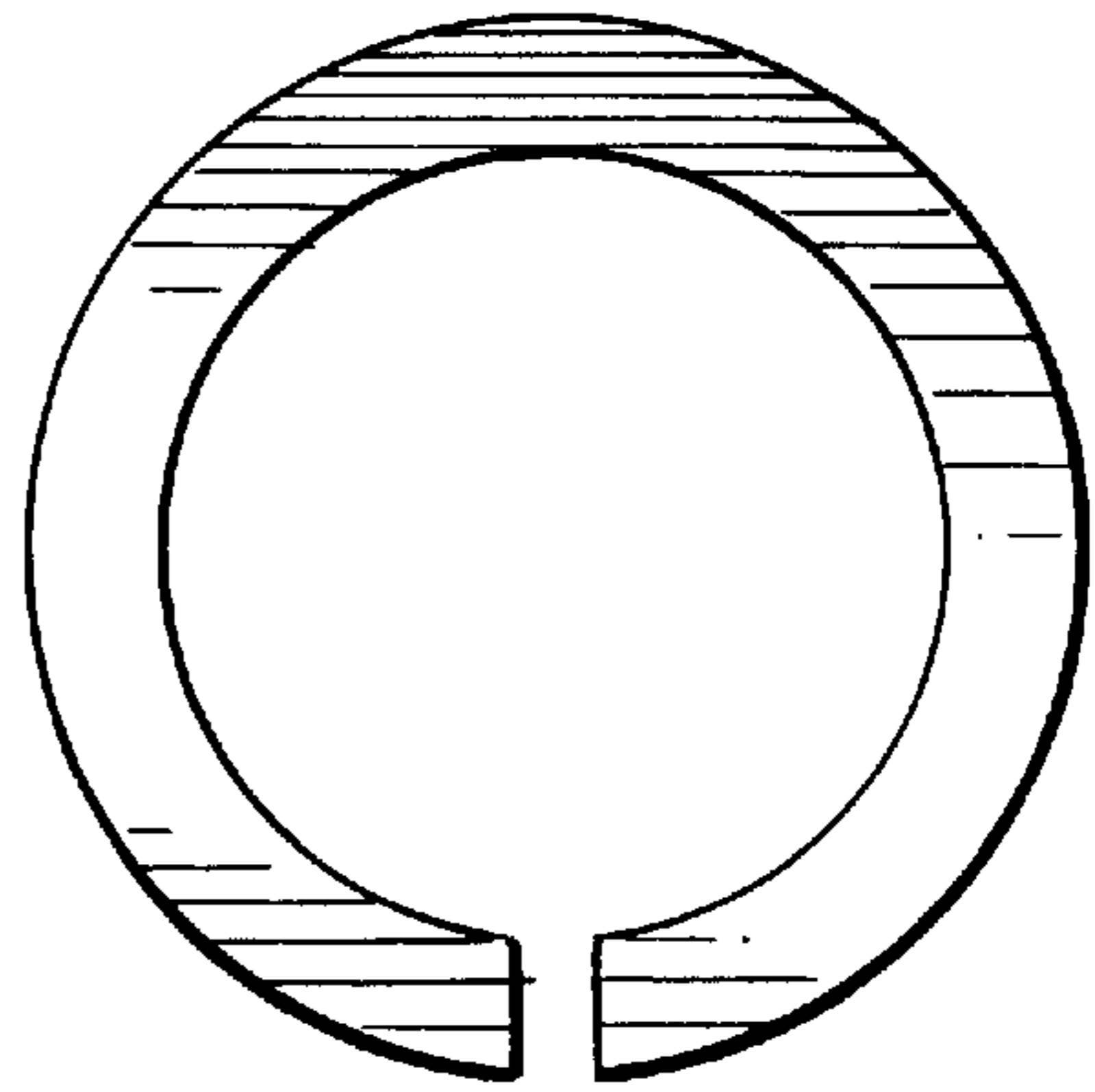
**1 Claim, 1 Drawing Sheet**



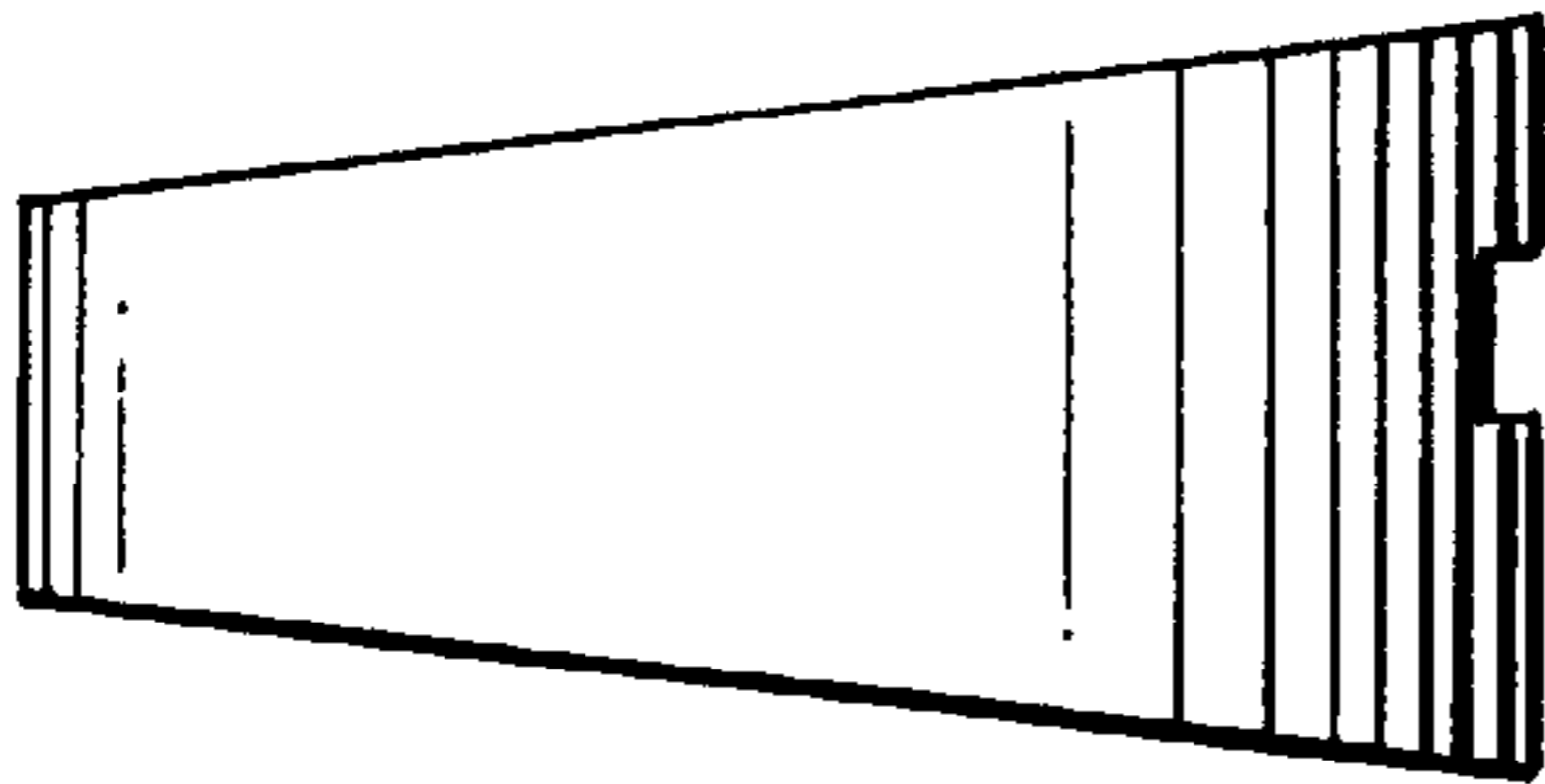
*FIG. 1*



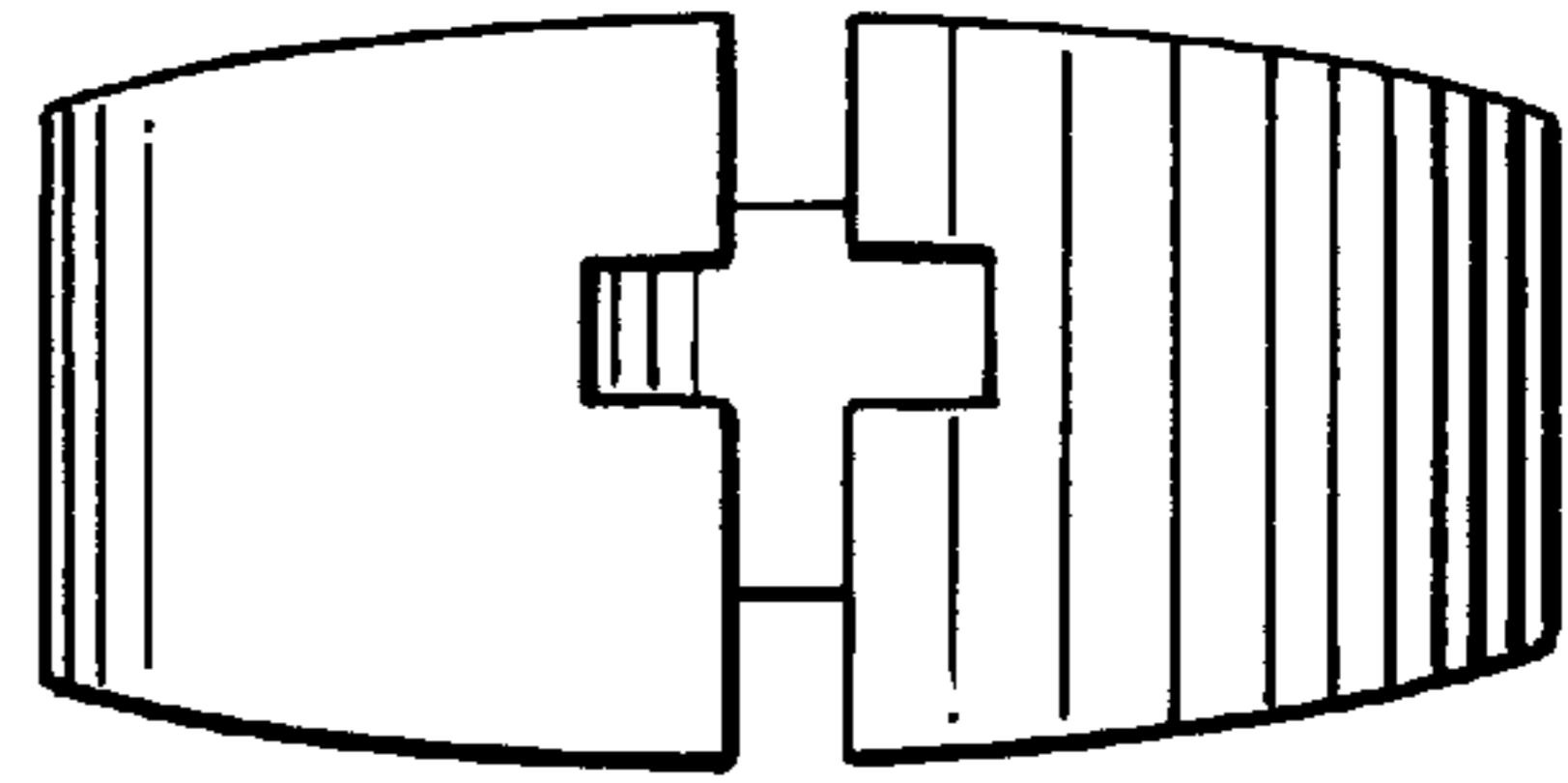
*FIG. 2*



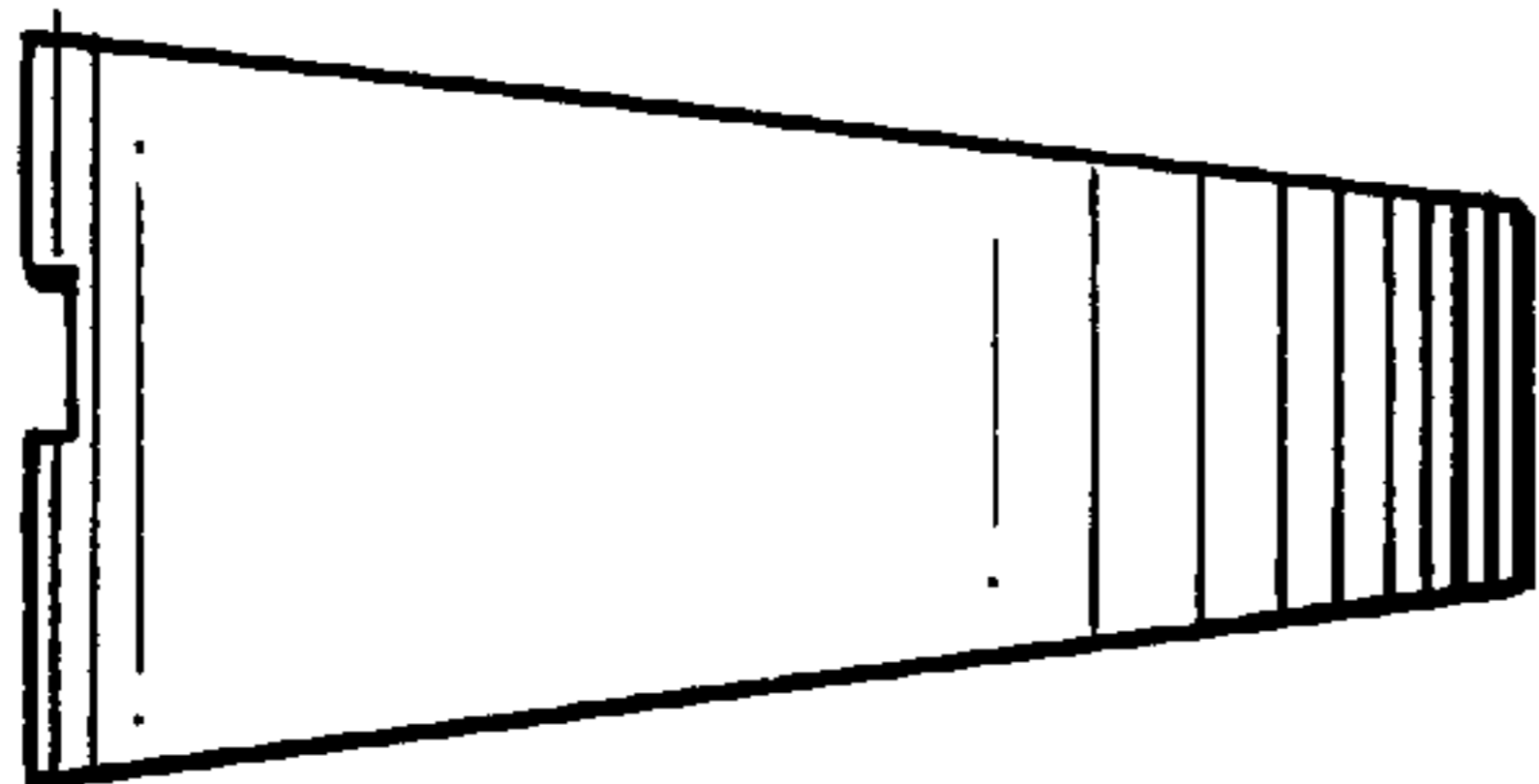
*FIG. 4*



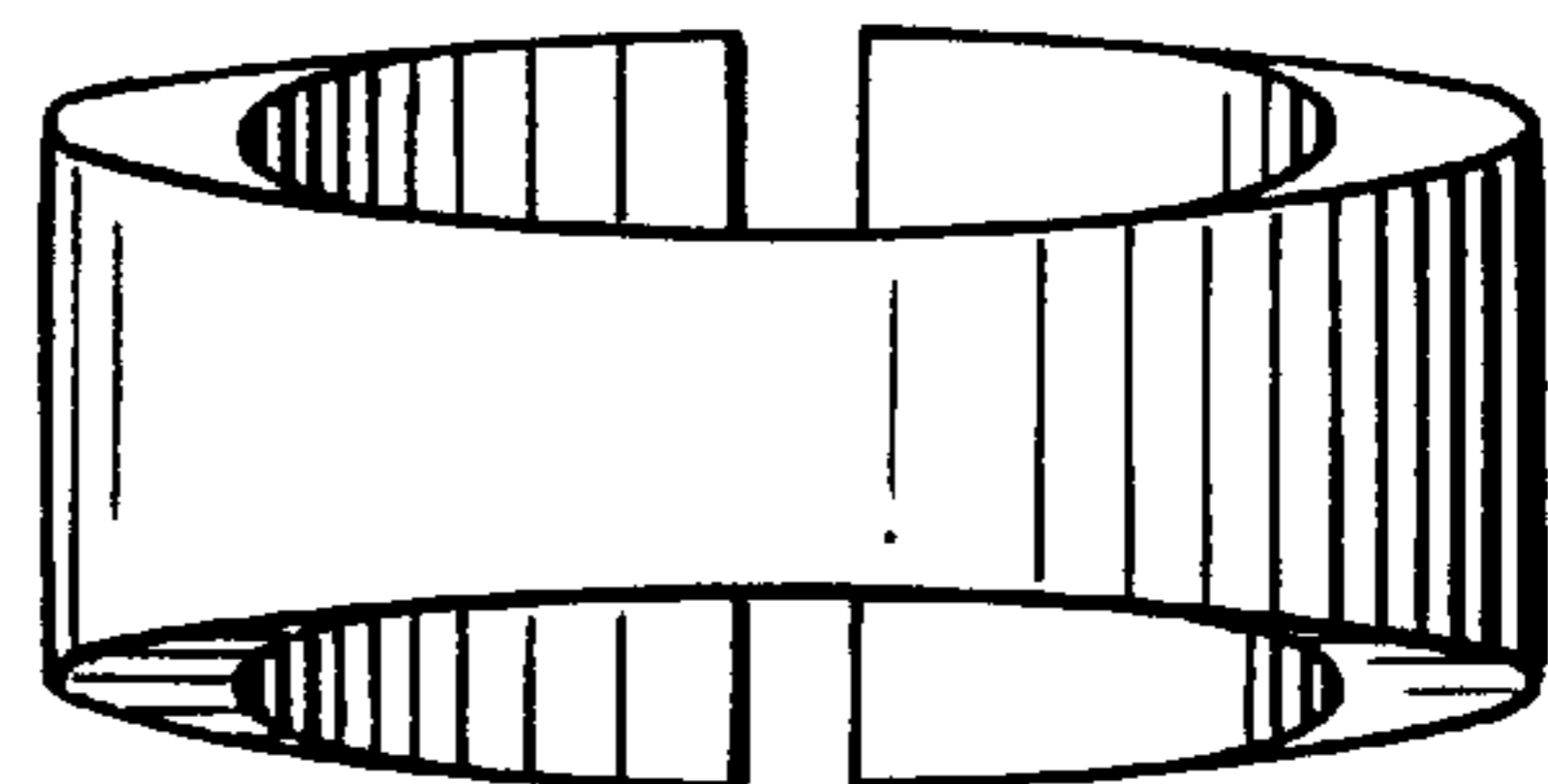
*FIG. 3*



*FIG. 5*



*FIG. 6*



*FIG. 7*

