



US00D440510S

(12) **United States Design Patent**
Lewis

(10) **Patent No.:** **US D440,510 S**

(45) **Date of Patent:** **** Apr. 17, 2001**

(54) **ANIMAL SENSOR**

(76) Inventor: **Erick L. Lewis**, 2112 Pleasant Ave.
South, Minneapolis, MN (US) 55404

(**) Term: **14 Years**

(21) Appl. No.: **29/128,471**

(22) Filed: **Aug. 24, 2000**

(51) **LOC (7) Cl.** **10-05**

(52) **U.S. Cl.** **D10/104**

(58) **Field of Search** D10/104, 106,
D10/116, 121, 114, 115; 340/541, 548,
551, 552, 553, 556, 561, 571, 572, 573;
D30/151, 152

(56) **References Cited**

U.S. PATENT DOCUMENTS

D. 400,458 * 11/1998 Jitus et al. D10/104

D. 410,206 * 5/1999 Slater D10/104

* cited by examiner

Primary Examiner—Marcus A. Jackson

(74) *Attorney, Agent, or Firm*—Fredrikson & Byron, P.A.

(57) **CLAIM**

I claim the ornamental design for an animal sensor, as shown.

DESCRIPTION

FIG. 1 is a front, top, right side perspective view of an animal sensor of my invention;

FIG. 2 is a right view thereof, with the post broken away at the end to indicate indeterminate length;

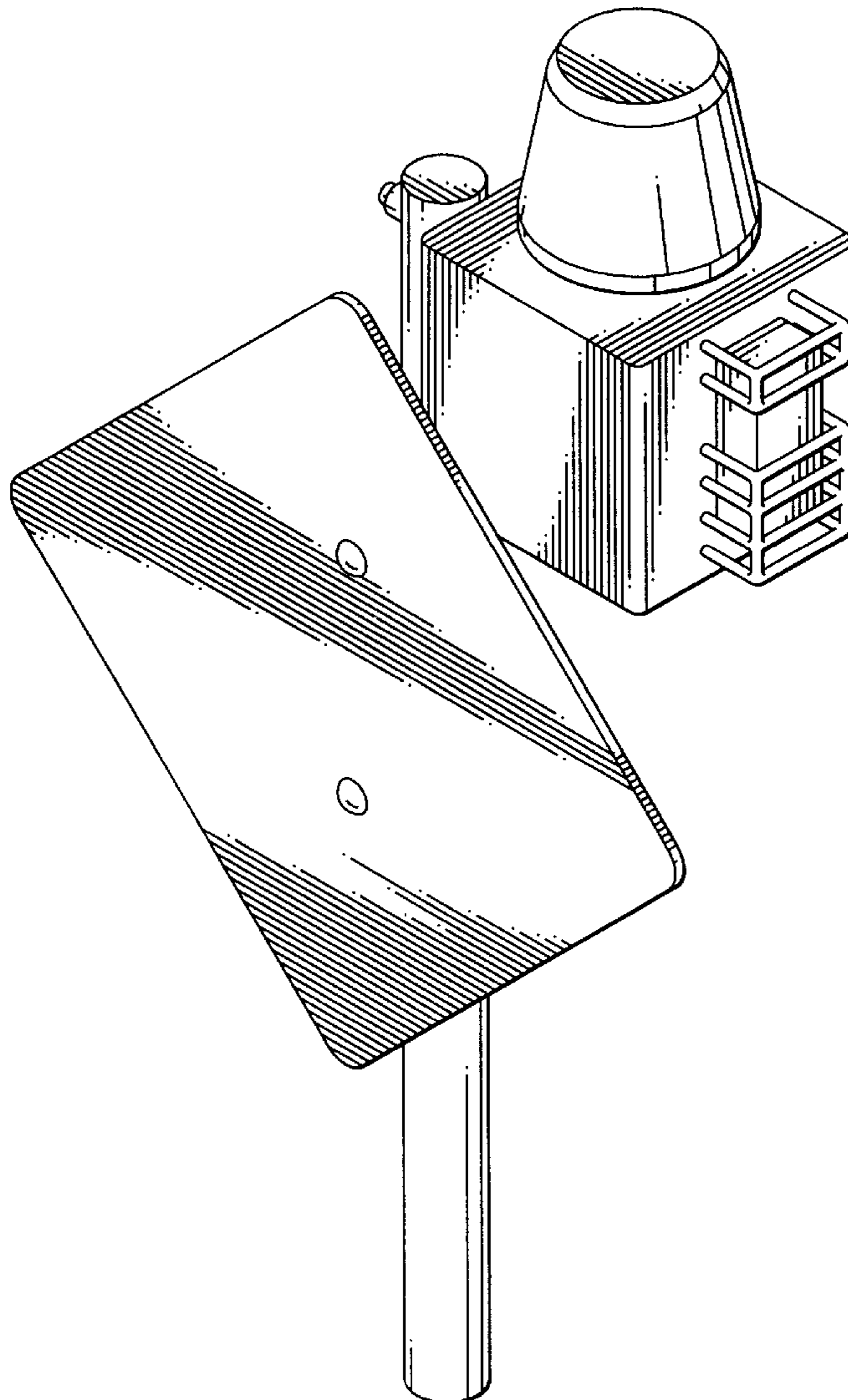
FIG. 3 is a rear view thereof;

FIG. 4 is a left side view thereof;

FIG. 5 is a front view thereof; and,

FIG. 6 is a top view thereof.

1 Claim, 3 Drawing Sheets



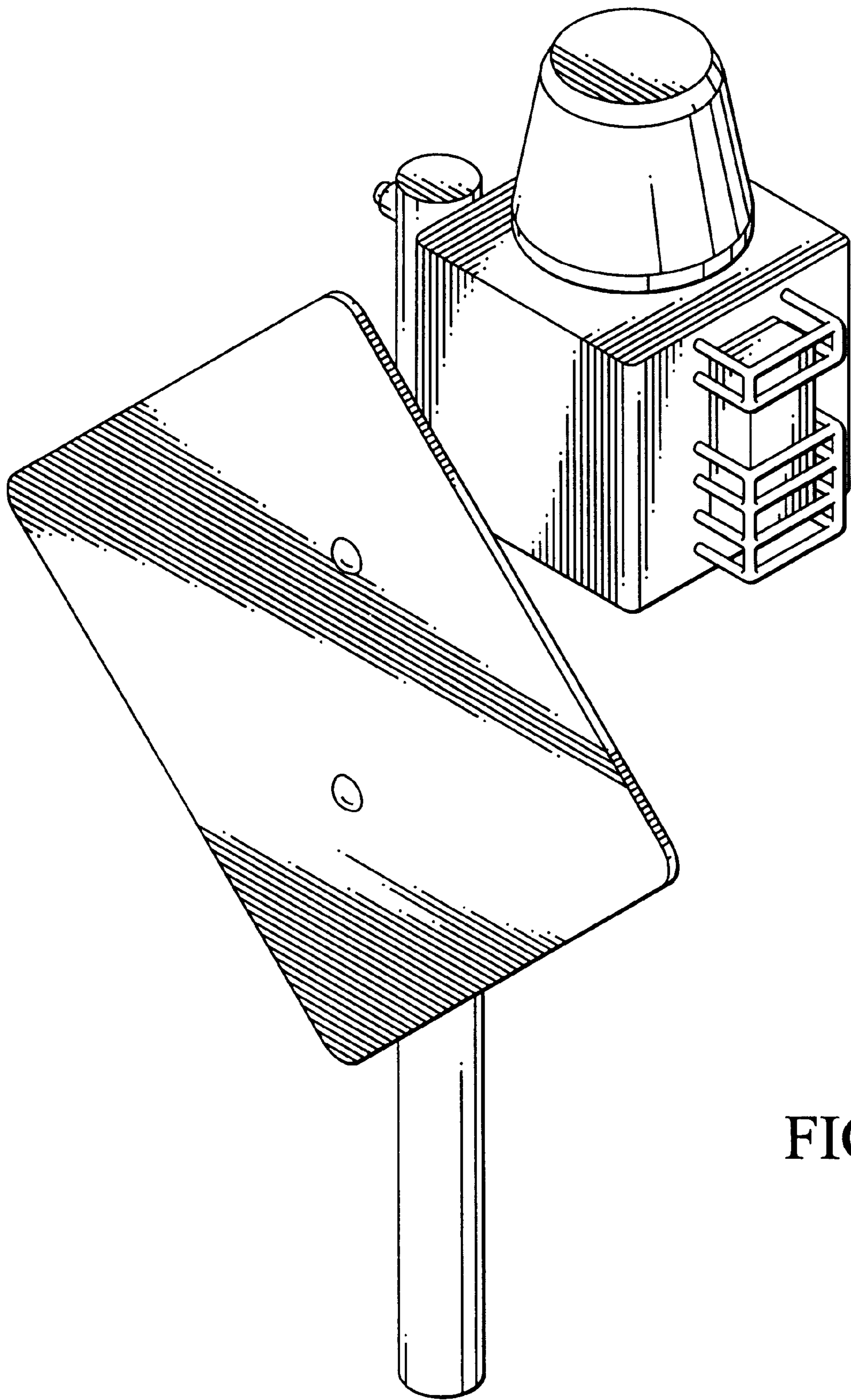


FIG. 1

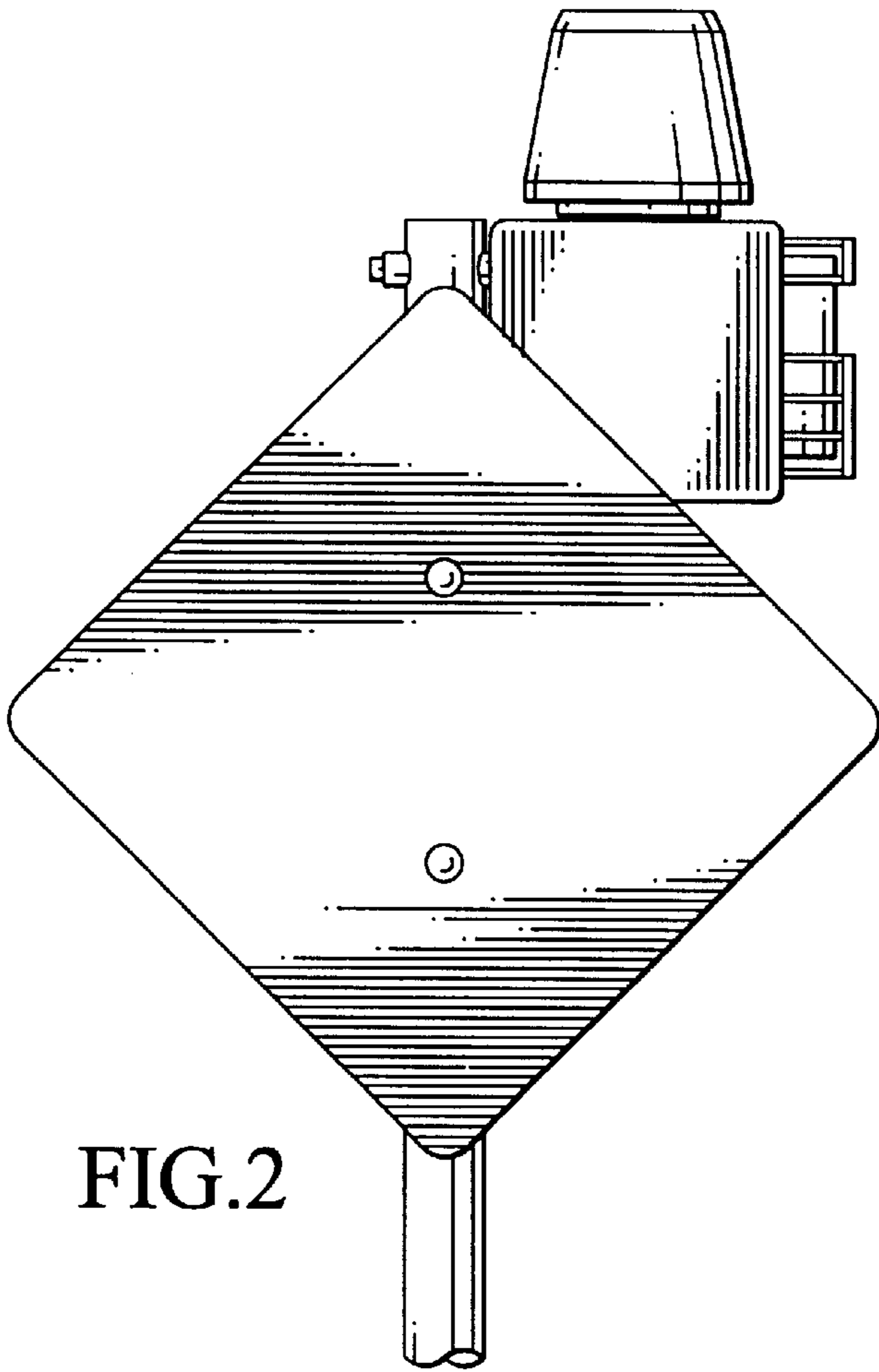


FIG. 2

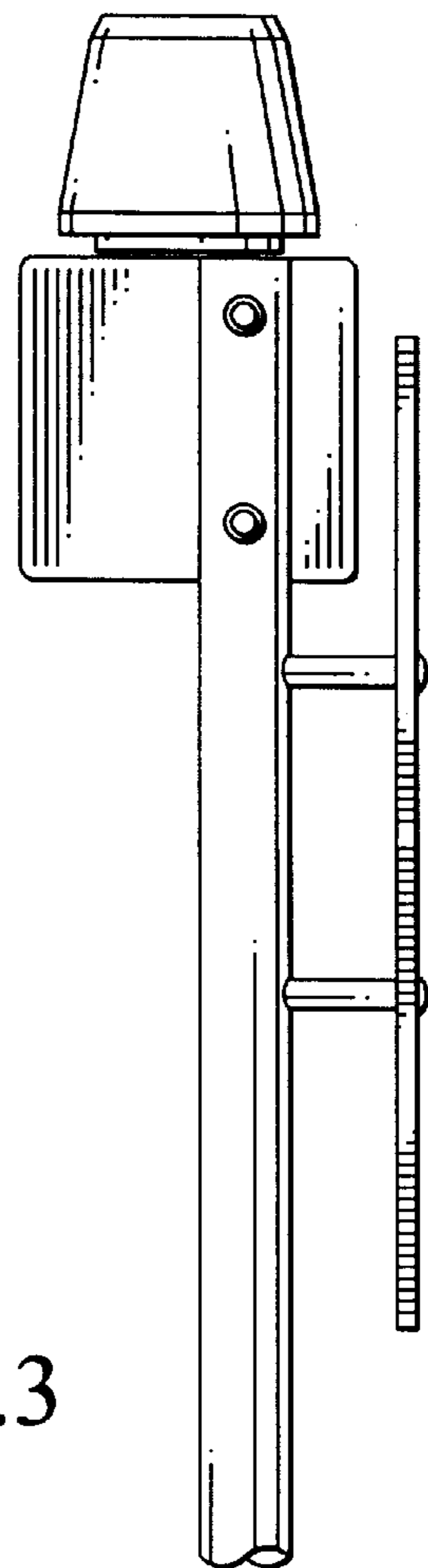


FIG. 3

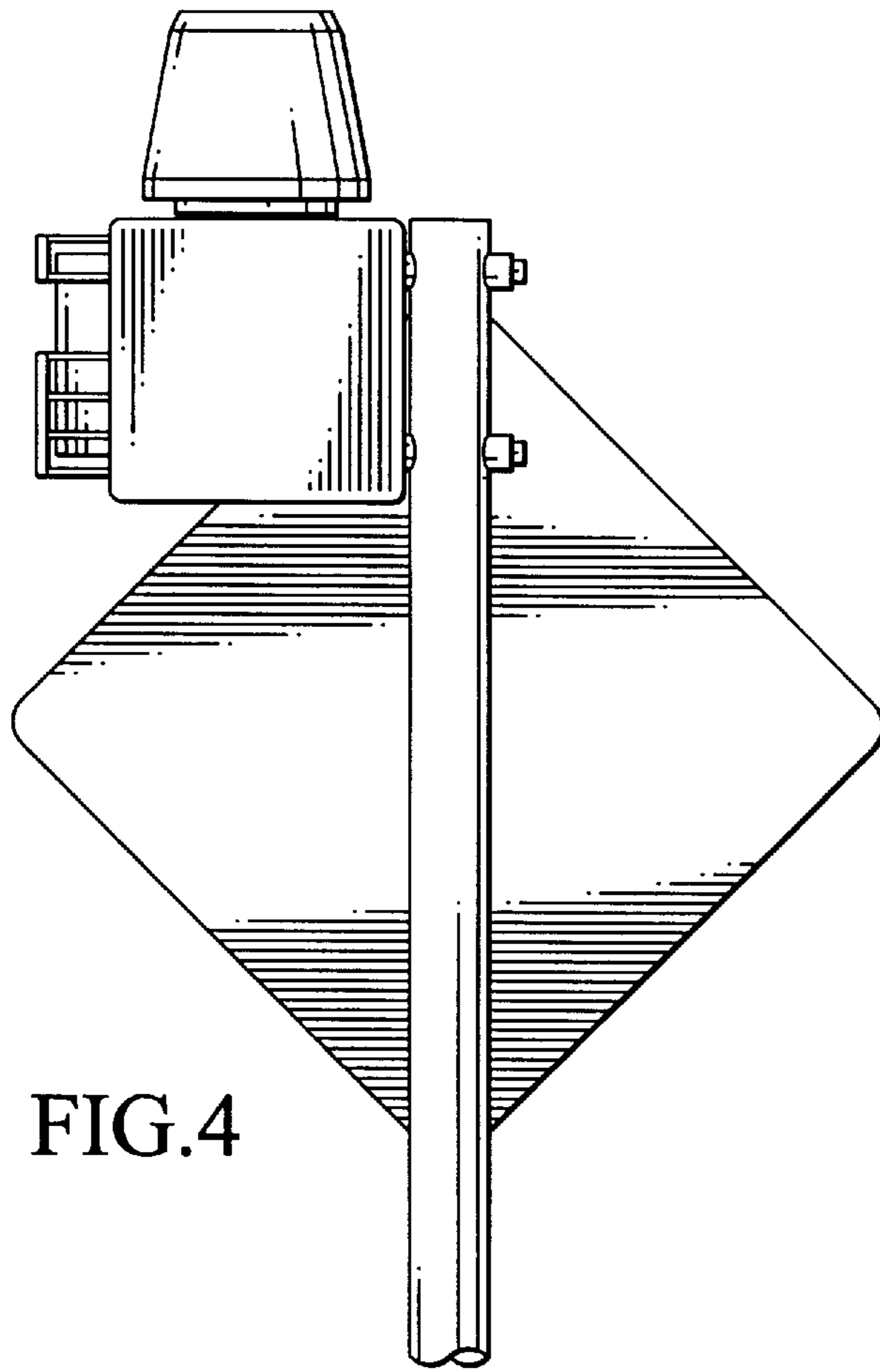


FIG. 4

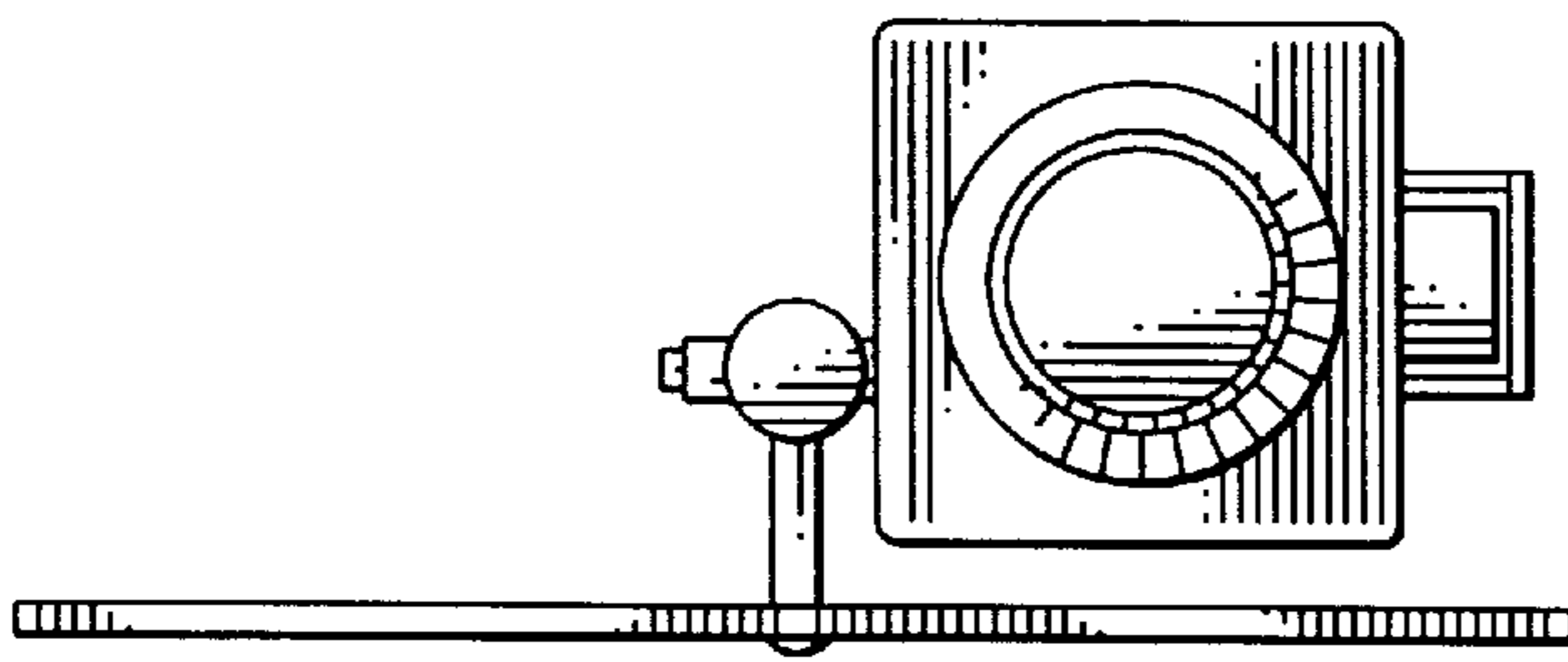


FIG. 6

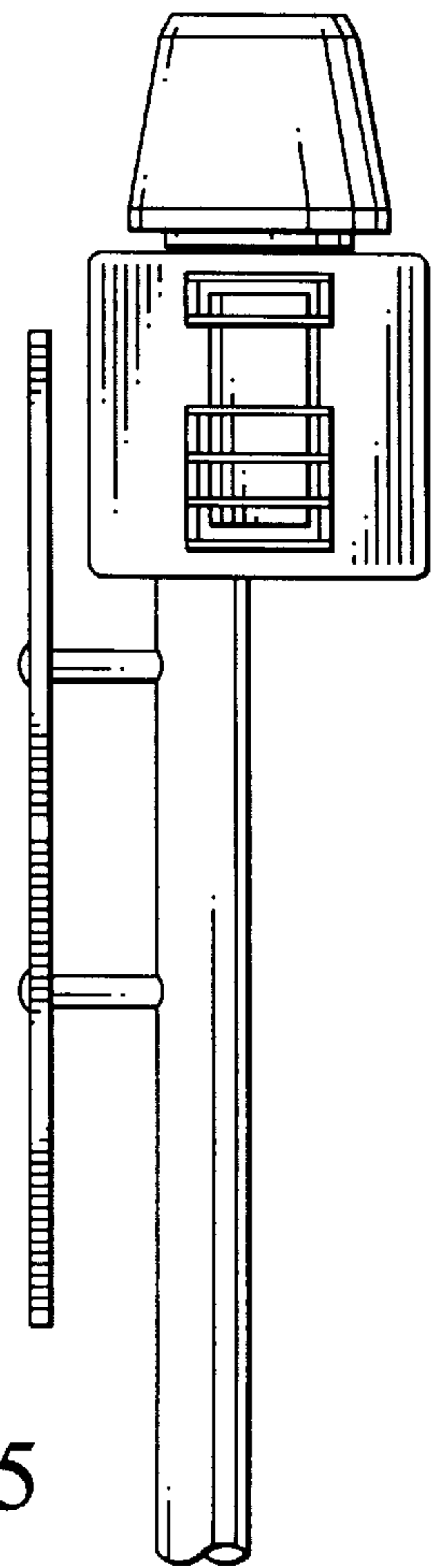


FIG. 5