



US00D440509S

(12) **United States Design Patent**
Greene

(10) **Patent No.:** **US D440,509 S**

(45) **Date of Patent:** **** Apr. 17, 2001**

- (54) **ANIMAL TRAINING DEVICE**
- (75) Inventor: **Ted R. Greene**, San Diego, CA (US)
- (73) Assignee: **United Security Products, Inc.**, San Diego, CA (US)
- (**) Term: **14 Years**
- (21) Appl. No.: **29/125,852**
- (22) Filed: **Jun. 29, 2000**
- (51) **LOC (7) Cl.** **10-05**
- (52) **U.S. Cl.** **D10/104**
- (58) **Field of Search** D10/104, 106,
D10/116, 121; D30/151, 152; 340/541,
548, 551, 552, 555, 561, 571, 572, 573

- D. 380,691 * 7/1997 Heun D10/104
- D. 387,060 * 12/1997 Inukai D10/104
- D. 388,005 * 12/1997 Henderson D10/104
- D. 426,166 * 6/2000 Ferron et al. D10/104
- 3,161,005 12/1964 Ackerson .
- 4,367,843 1/1983 Bros et al. 231/2 E

* cited by examiner

Primary Examiner—Marcus A. Jackson

(74) *Attorney, Agent, or Firm*—Townsend and Townsend and Crew LLP

(57) **CLAIM**

The ornamental design for an animal training device, as shown and described.

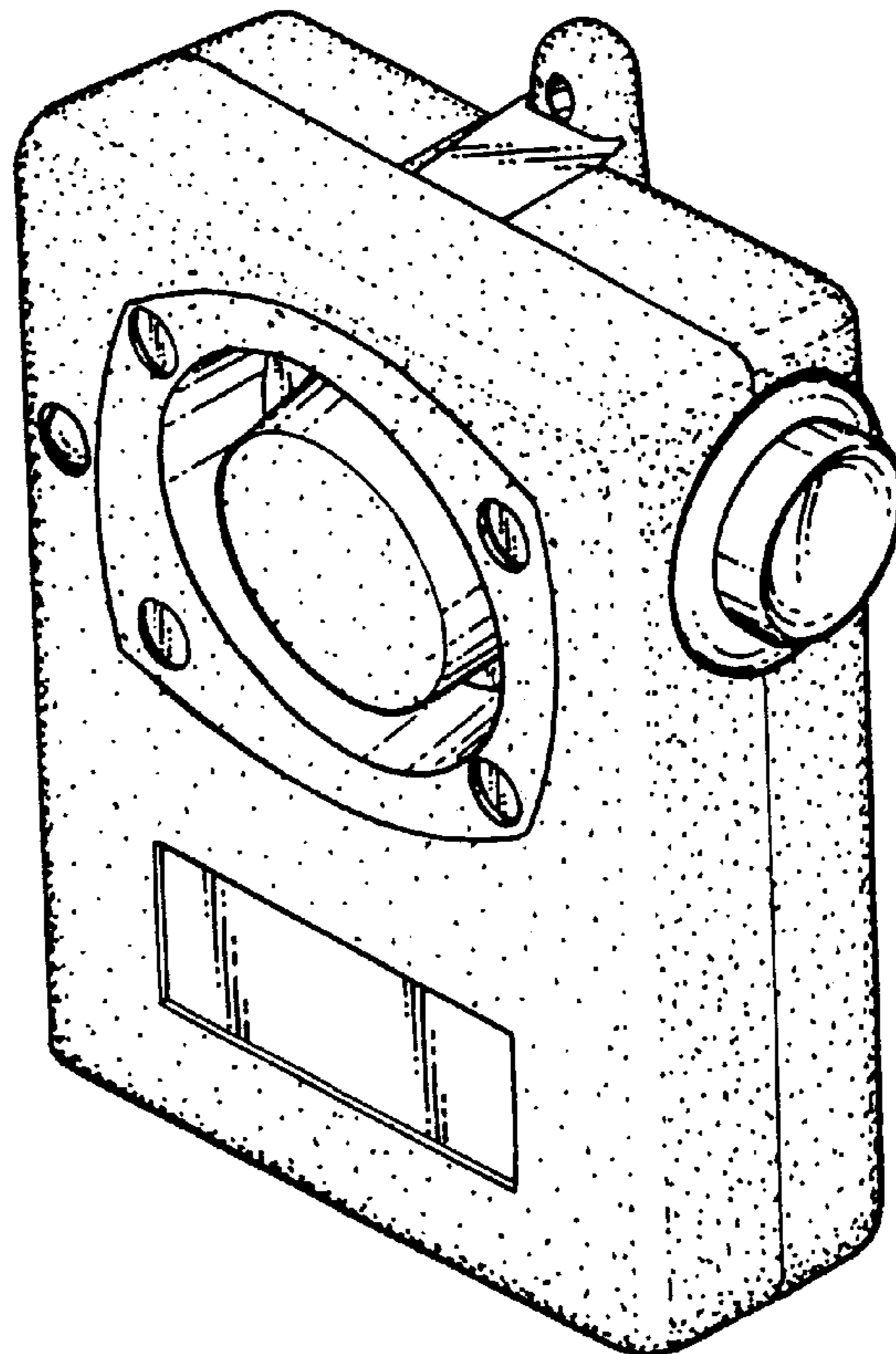
DESCRIPTION

FIG. 1 is a perspective view of an animal training device showing my new design;
 FIG. 2 is a top plan view thereof;
 FIG. 3 is a front elevational view, the rear elevational view being a mirror image thereof;
 FIG. 4 is a right side elevational view, the left side elevational view being a mirror image thereof;
 FIG. 5 is a left side elevational view, the right side elevational view being a mirror image thereof;
 FIG. 6 is a rear elevational view, the front elevational view being a mirror image thereof; and,
 FIG. 7 is a bottom plan view thereof.

(56) **References Cited**
U.S. PATENT DOCUMENTS

- D. 257,495 11/1980 Bros et al. D30/32
- D. 277,652 2/1985 Kahl, Jr. et al. D10/106
- D. 286,383 10/1986 Kotlicki et al. D10/106
- D. 288,468 2/1987 Rüttinger D22/117
- D. 298,872 12/1988 Cassel et al. D30/199
- D. 317,065 5/1991 Greene D30/156
- D. 330,339 10/1992 Roselle et al. D10/106
- D. 331,888 12/1992 Lade D10/106
- D. 346,982 5/1994 Greene et al. D10/106
- D. 373,092 * 8/1996 Heun D10/104
- D. 375,057 * 10/1996 Heun D10/104

1 Claim, 2 Drawing Sheets



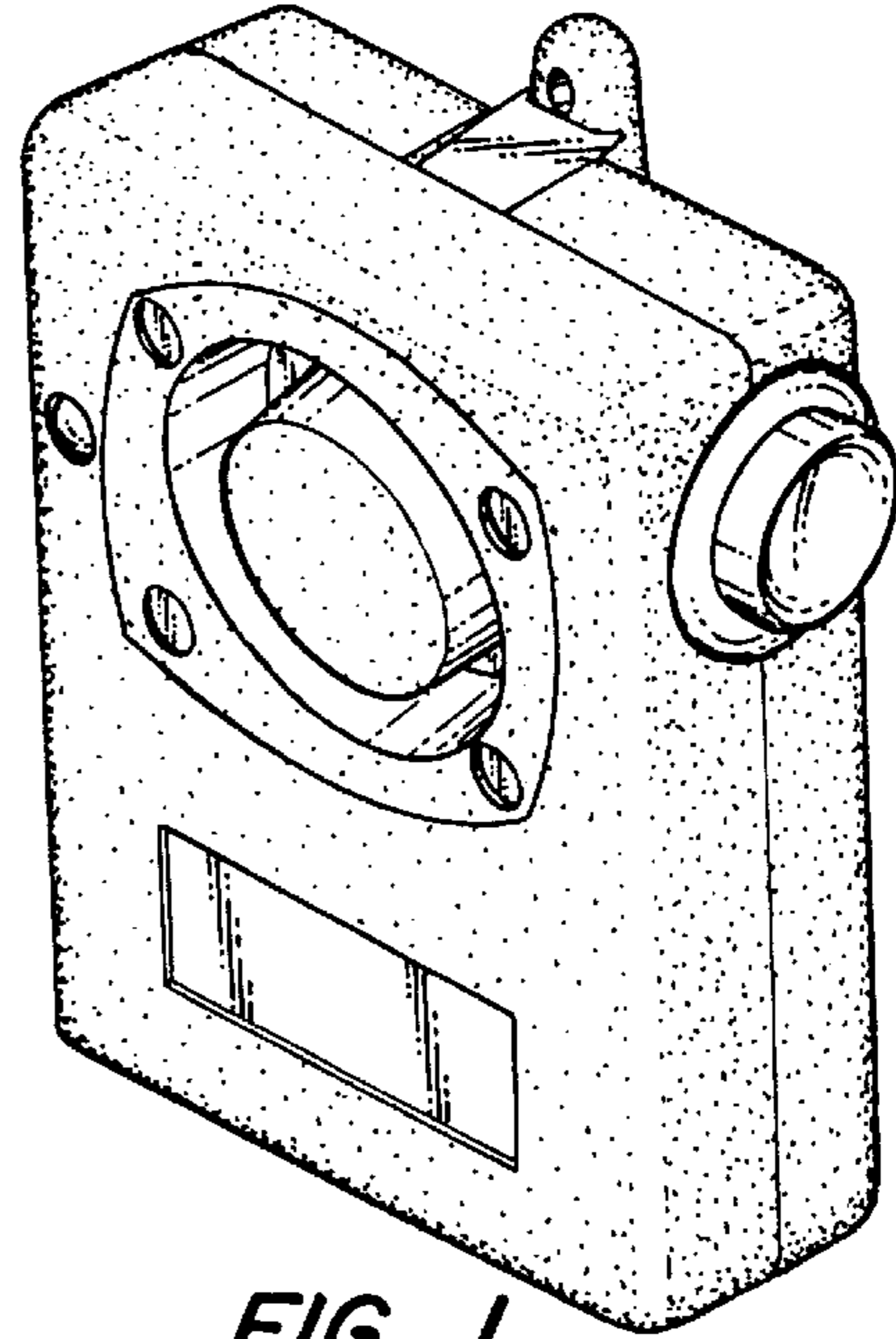


FIG. 1.

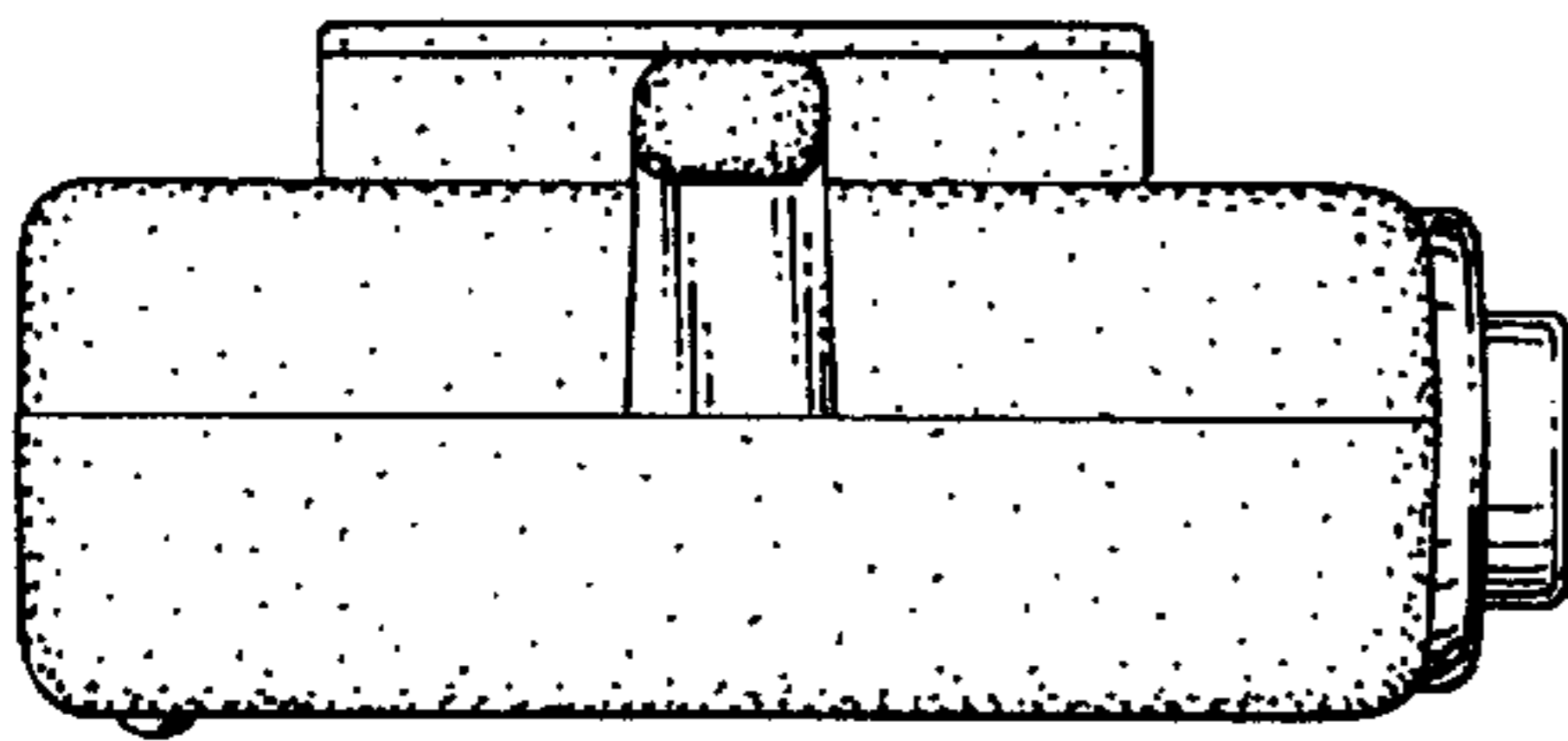


FIG. 2.

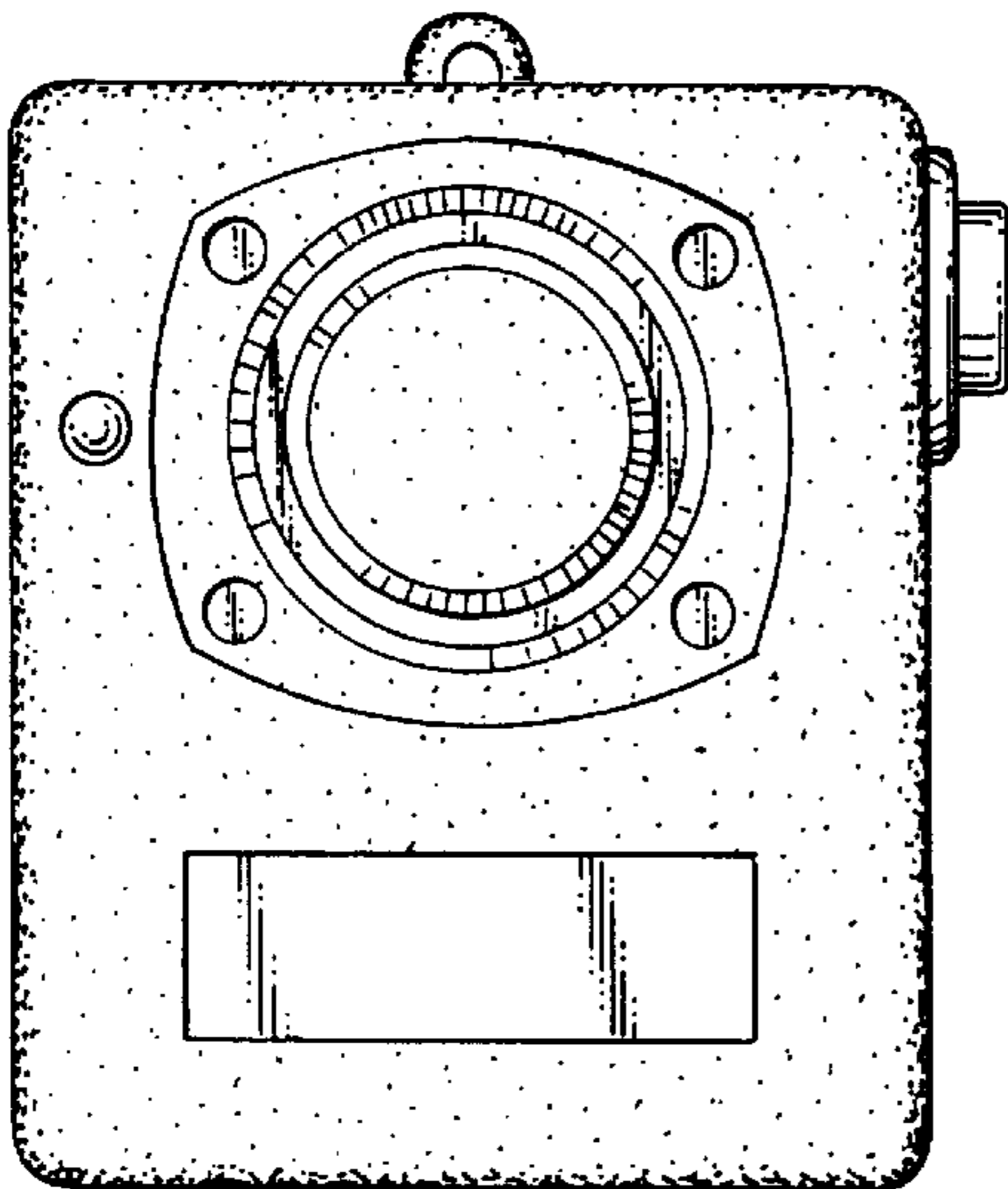


FIG. 3.

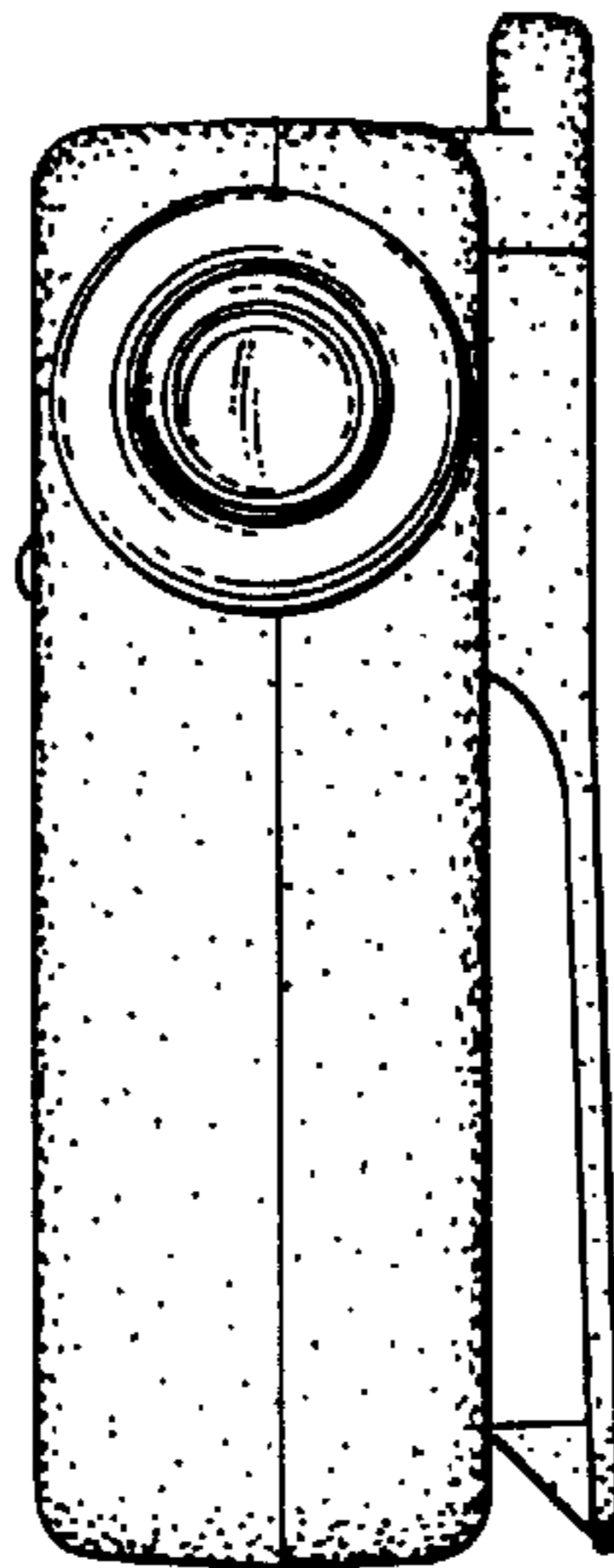


FIG. 4.

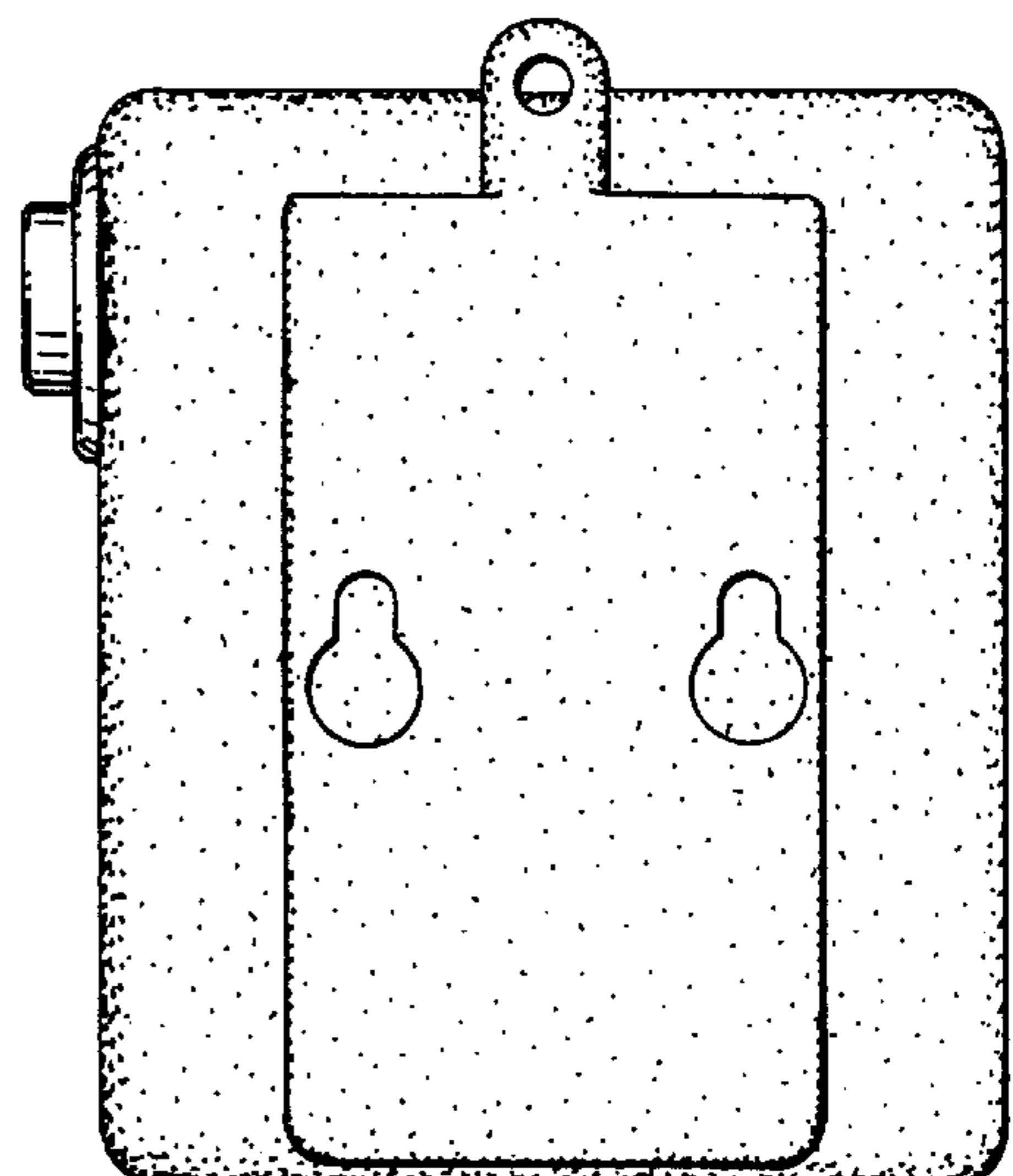


FIG. 6.

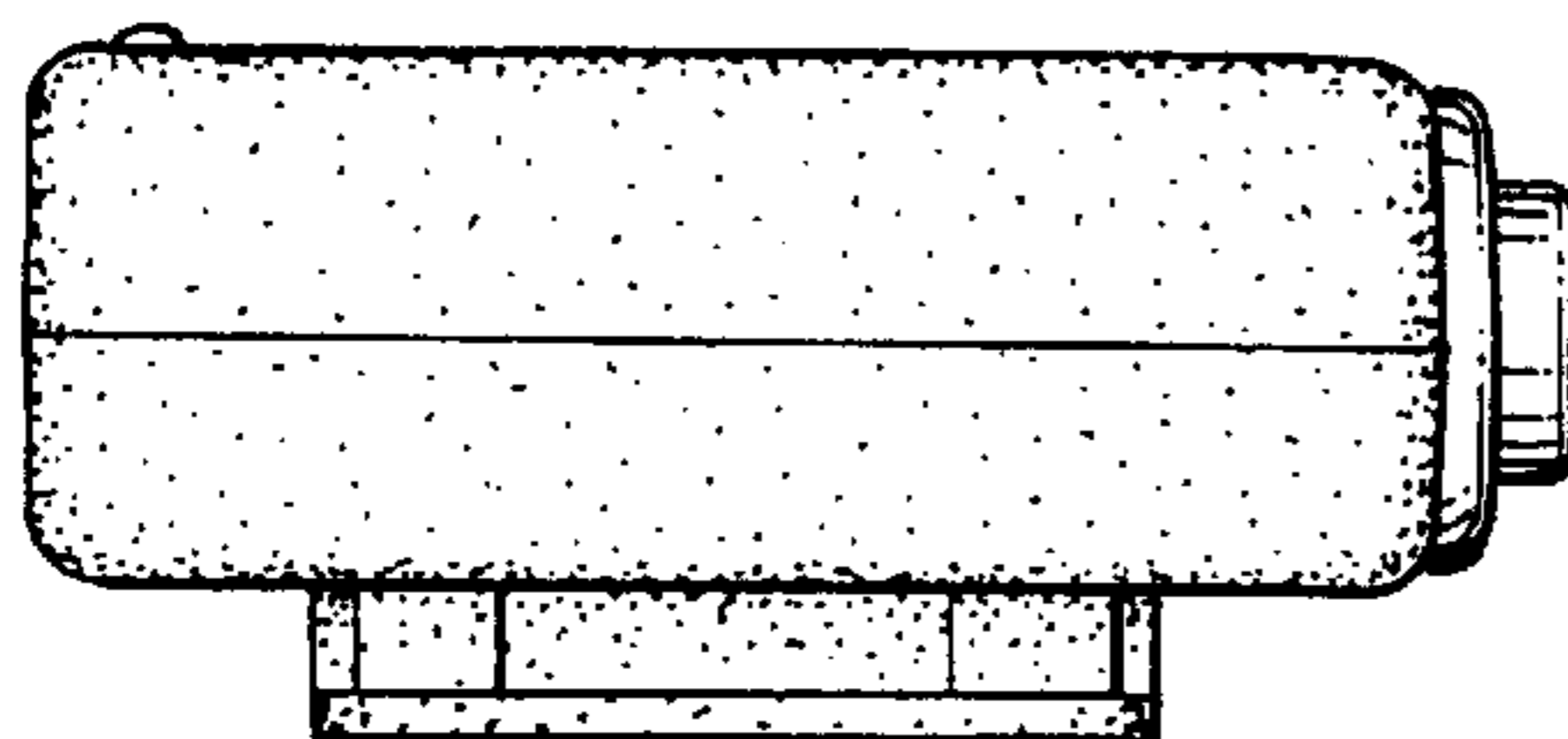


FIG. 7.

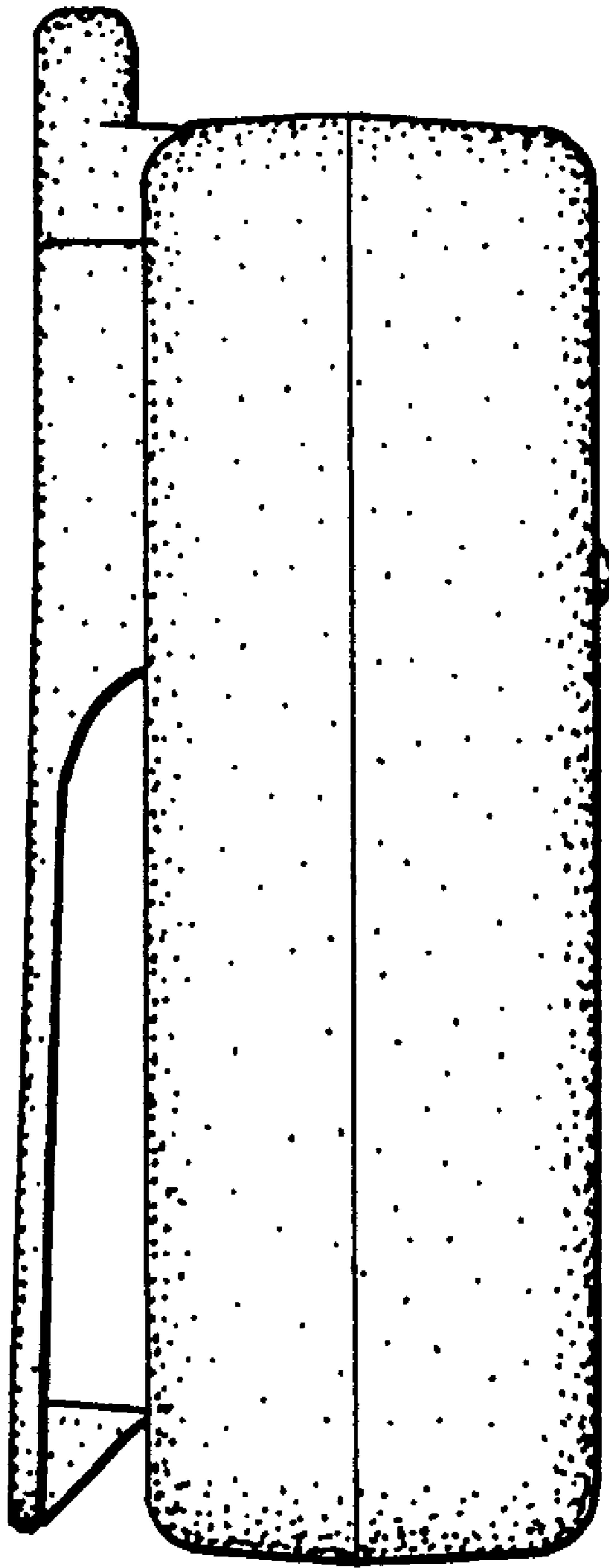


FIG. 5.