



US00D440508S

(12) **United States Design Patent**  
**Izumo et al.**

(10) **Patent No.:** **US D440,508 S**

(45) **Date of Patent:** **\*\* Apr. 17, 2001**

(54) **ELASTIC BODY FOR ELECTRONIC WEIGHING SCALE**

5,923,000 \* 7/1999 Tschopp et al. .... 177/154  
6,143,993 \* 11/2000 Andersson ..... 177/229

(75) Inventors: **Naoto Izumo; Kyohei Ooyama; Eiichi Yoshida**, all of Saitama (JP)

\* cited by examiner

*Primary Examiner*—Antoine Duval Davis  
(74) *Attorney, Agent, or Firm*—Sughrue, Mion, Zinn, Macpeak & Seas, PLLC

(73) Assignee: **A & D Company, Limited**, Tokyo (JP)

(\*\*) Term: **14 Years**

(57) **CLAIM**

(21) Appl. No.: **29/121,602**

The ornamental design for an elastic body for electronic weighing scale, as shown and described.

(22) Filed: **Apr. 11, 2000**

**DESCRIPTION**

(51) **LOC (7) Cl.** ..... **10-04**

(52) **U.S. Cl.** ..... **D10/94**

(58) **Field of Search** ..... D10/94; 177/229,  
177/154, 157

FIG. 1 is a perspective view of the top, front and left side of an elastic body for electronic weighing scale showing our new design;

FIG. 2 is a left side elevational view thereof;

FIG. 3 is a right side elevational view thereof;

FIG. 4 is a top plan view thereof;

FIG. 5 is a front elevational view, the rear elevational view being a mirror image thereof; and,

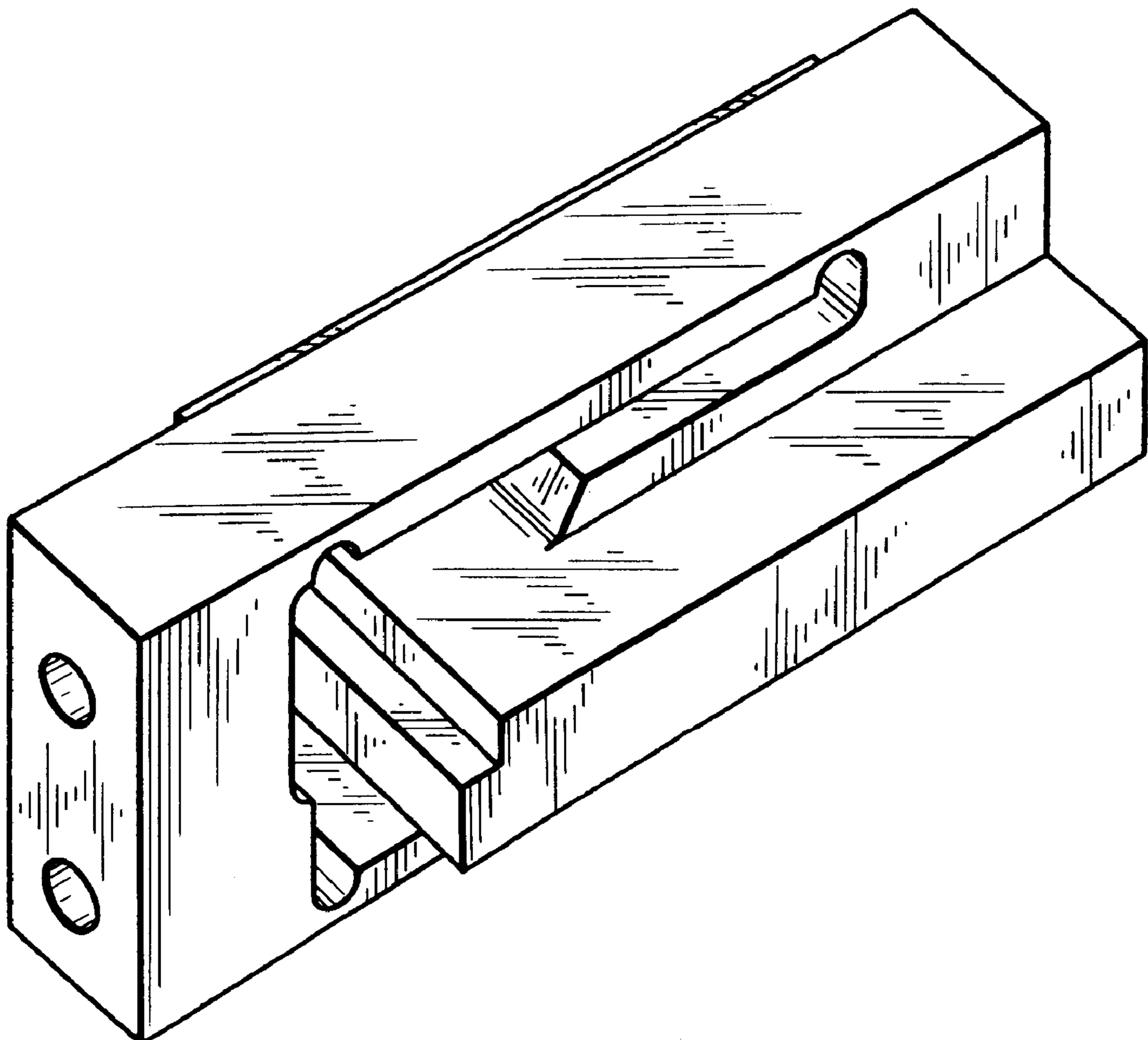
FIG. 6 is a bottom plan view thereof.

(56) **References Cited**

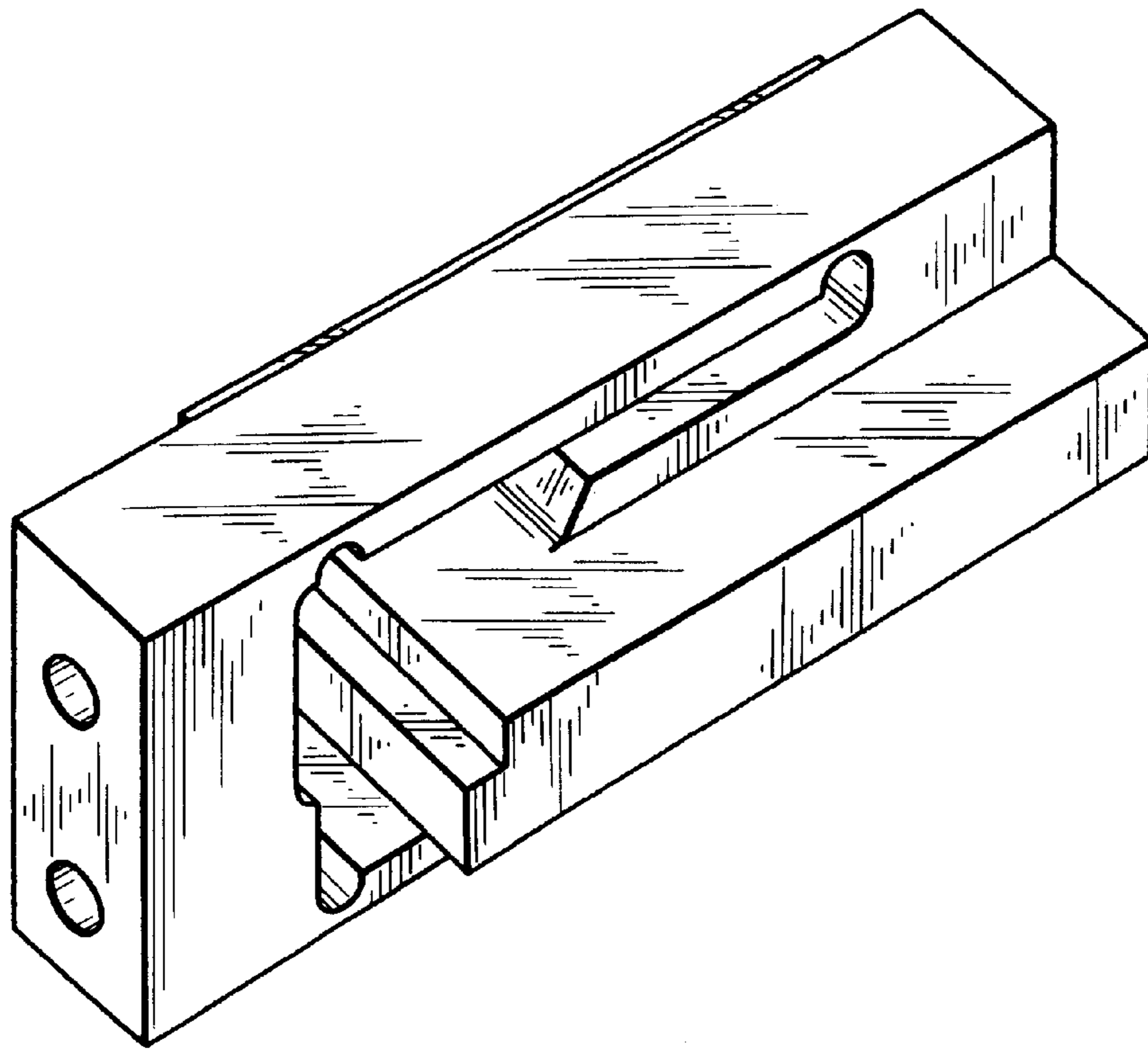
**U.S. PATENT DOCUMENTS**

4,799,561 1/1989 Komoto .  
4,813,505 3/1989 Sodler et al. .  
5,315,073 5/1994 Ast et al. .

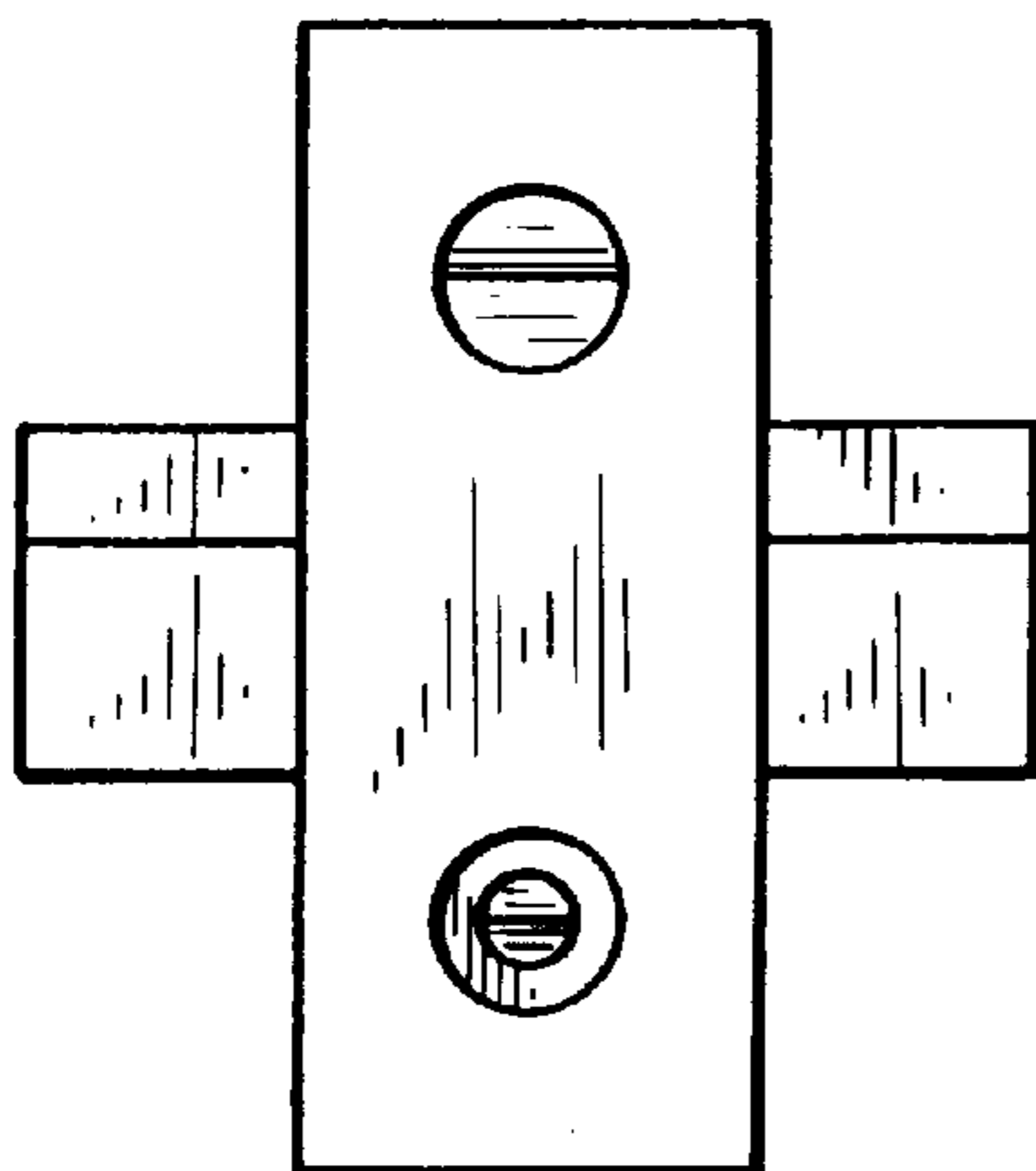
**1 Claim, 2 Drawing Sheets**



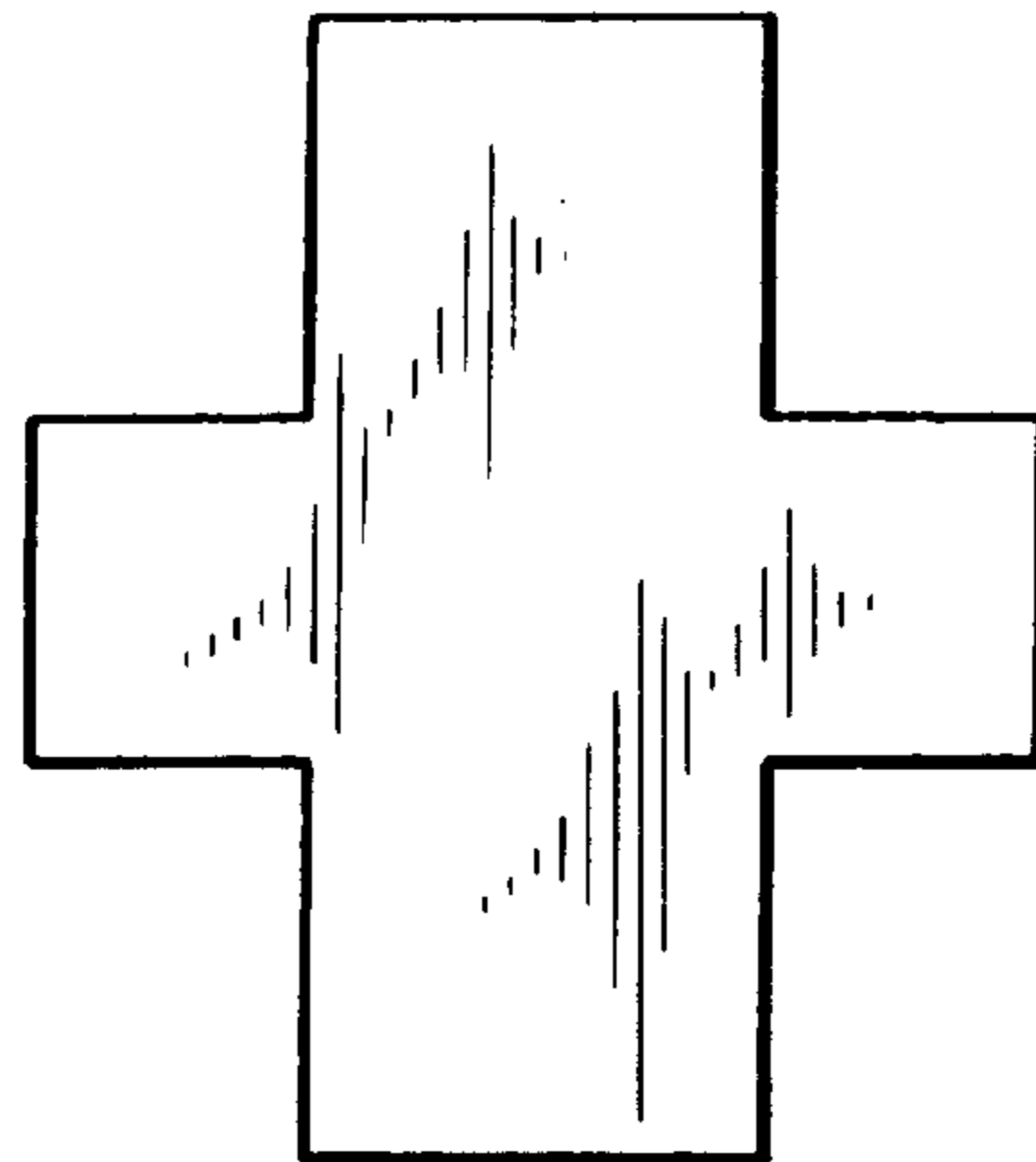
*FIG. 1*



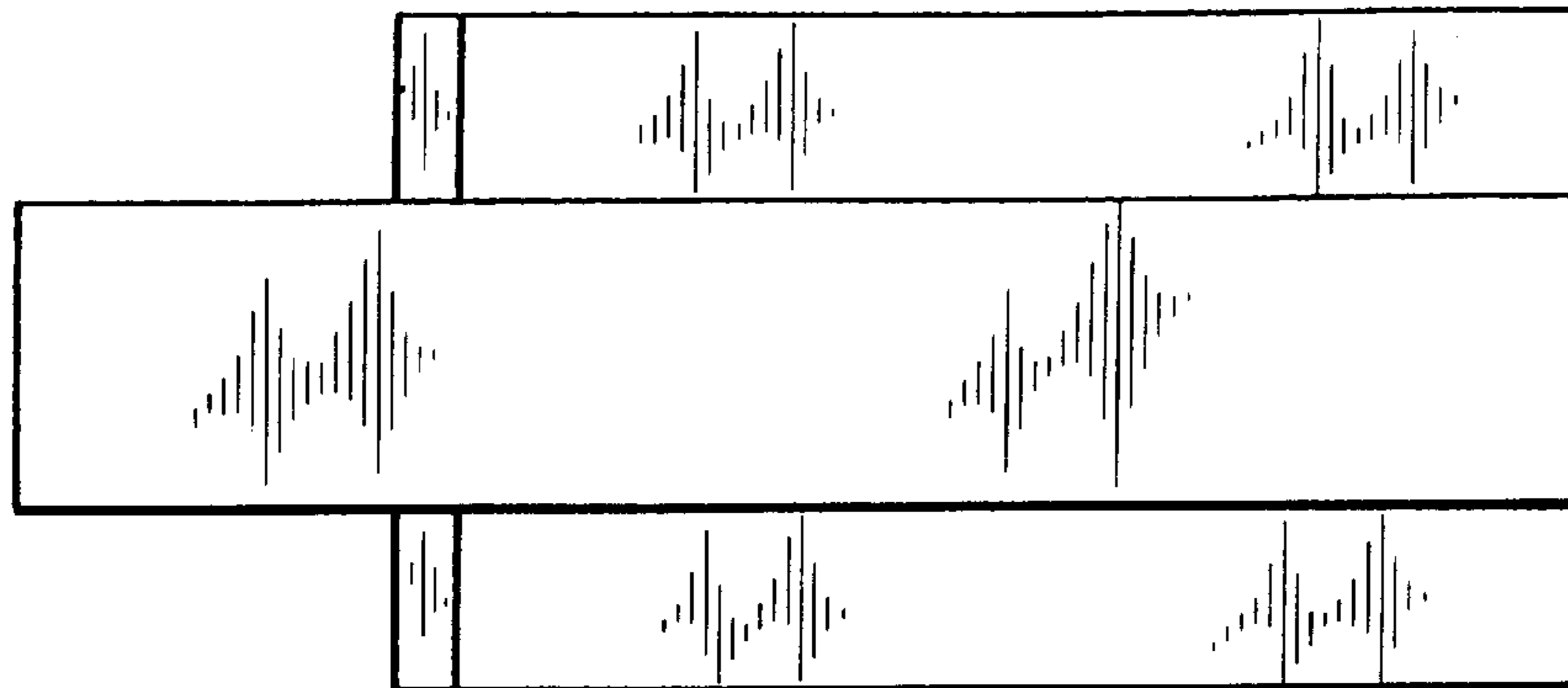
*FIG. 2*



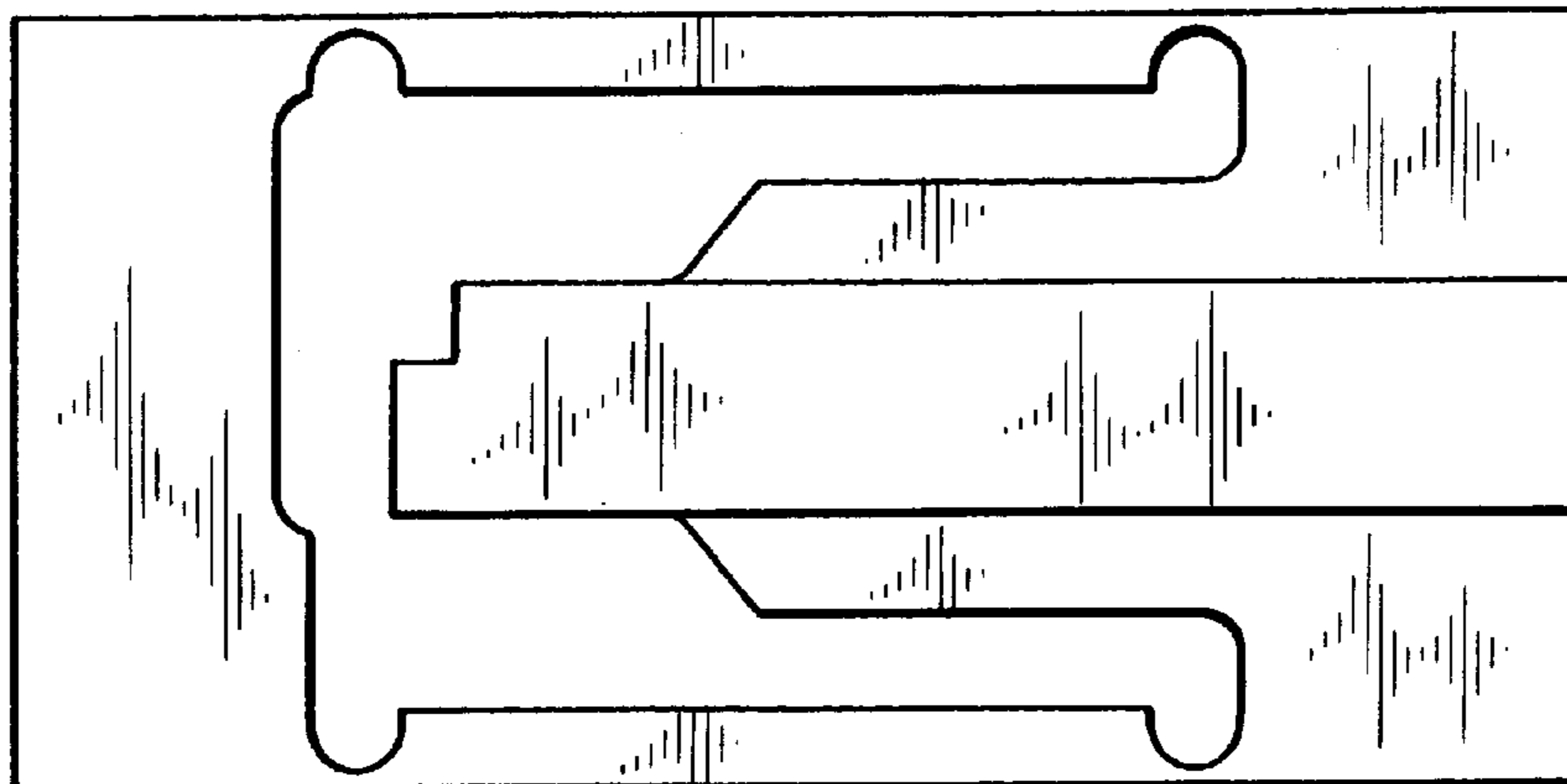
*FIG. 3*



**FIG. 4**



**FIG. 5**



**FIG. 6**

