



US00D440506S

(12) **United States Design Patent** (10) **Patent No.:** **US D440,506 S**  
**Blaetter et al.** (45) **Date of Patent:** **\*\* Apr. 17, 2001**

(54) **OPTICAL AUTOMATIC LEVEL**

(75) Inventors: **Torsten J. R. Blaetter**, Oshkosh; **Alan D. Bengtson**, Shorewood; **Casey A. Ketterhagen**, Milwaukee, all of WI (US)

(73) Assignee: **David White, L.L.C.**, Germantown, WI (US)

(\*\*) Term: **14 Years**

(21) Appl. No.: **29/118,957**

(22) Filed: **Feb. 18, 2000**

(51) **LOC (7) Cl.** ..... **10-04**

(52) **U.S. Cl.** ..... **D10/69**

(58) **Field of Search** ..... D10/69; 33/360-390; 356/149, 250, 249, 399

(56) **References Cited**

**U.S. PATENT DOCUMENTS**

- 4,794,701 \* 1/1989 Clark ..... D10/69 X
- 4,947,556 \* 8/1990 Pell ..... D10/69 X
- 5,900,931 \* 5/1999 Rando ..... 356/149

**OTHER PUBLICATIONS**

Sokkia Measuring Systems Catalog pp. 32A, 33A, 37A, and 38A.  
David White Construction lasers & Optical Instruments Catalog, pp. 3, 4, 12, 13, 14 and 15.

1998-1999 CST/Berger Contractors Supply Catalog, p. 5.  
1998 SECO Manufacturing Co., Inc. Surveying & GPS Accessories brochure, p. 10.

TOPCON, Auto Level At-GSeries brochure.

\* cited by examiner

*Primary Examiner*—Antoine Duval Davis

(74) *Attorney, Agent, or Firm*—Michael Best & Friedrich LLP

(57) **CLAIM**

The ornamental design for an optical automatic level, as shown and described.

**DESCRIPTION**

FIG. 1 is a perspective view of an optical automatic level showing our new design;

FIG. 2 is a right side elevational view thereof;

FIG. 3 is a top plan view thereof;

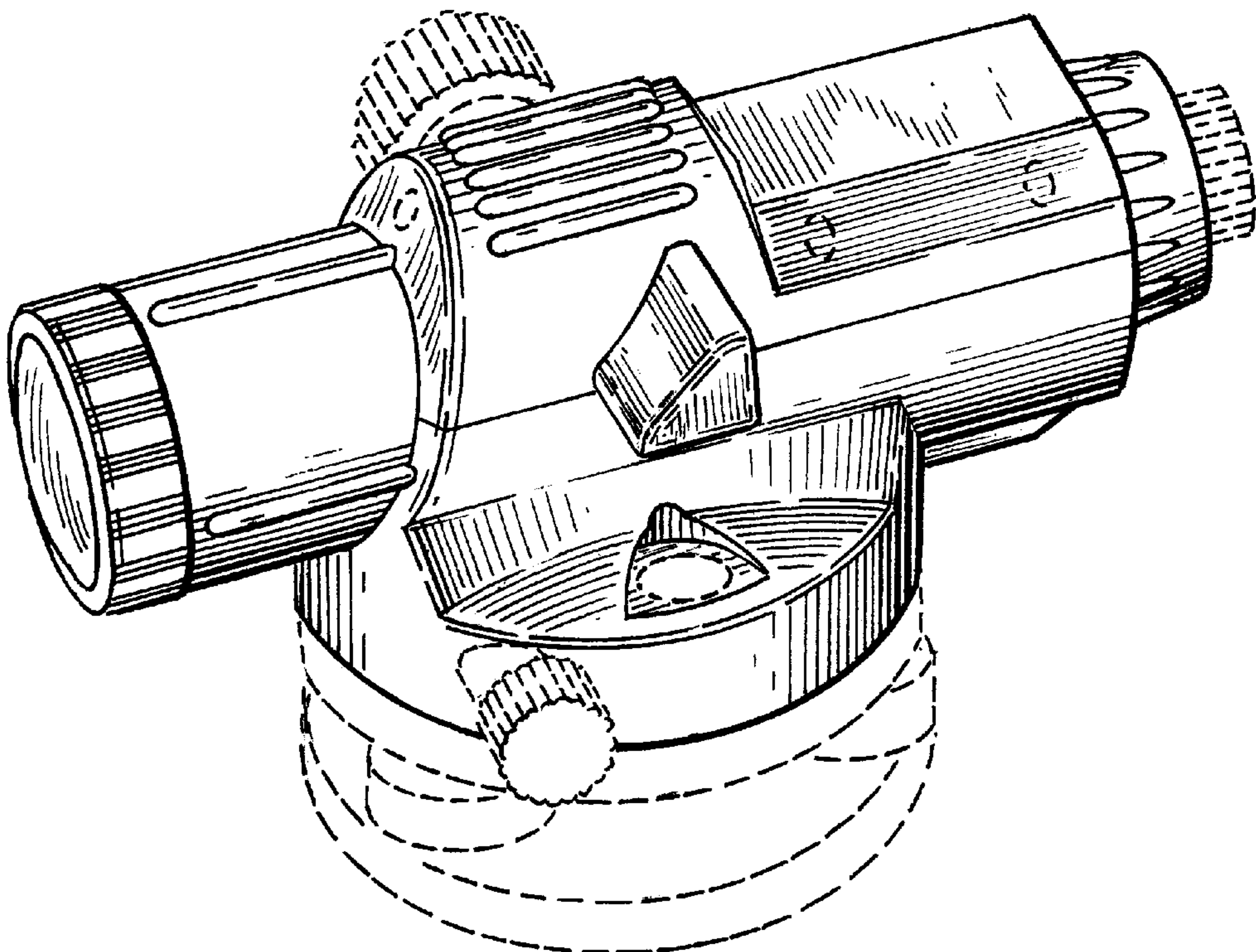
FIG. 4 is a left side elevational view thereof;

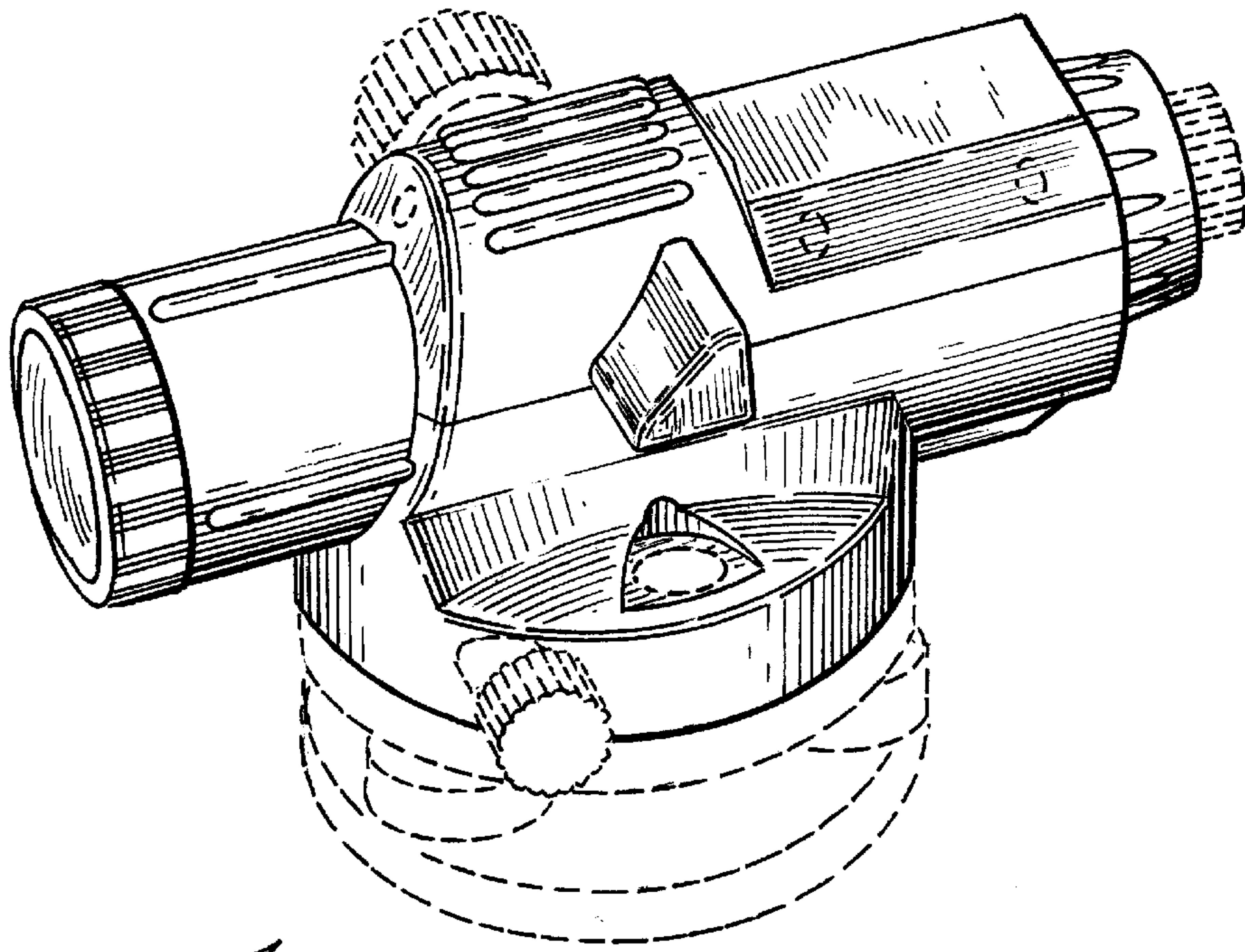
FIG. 5 is a rear elevational view thereof; and,

FIG. 6 is a front elevational view thereof.

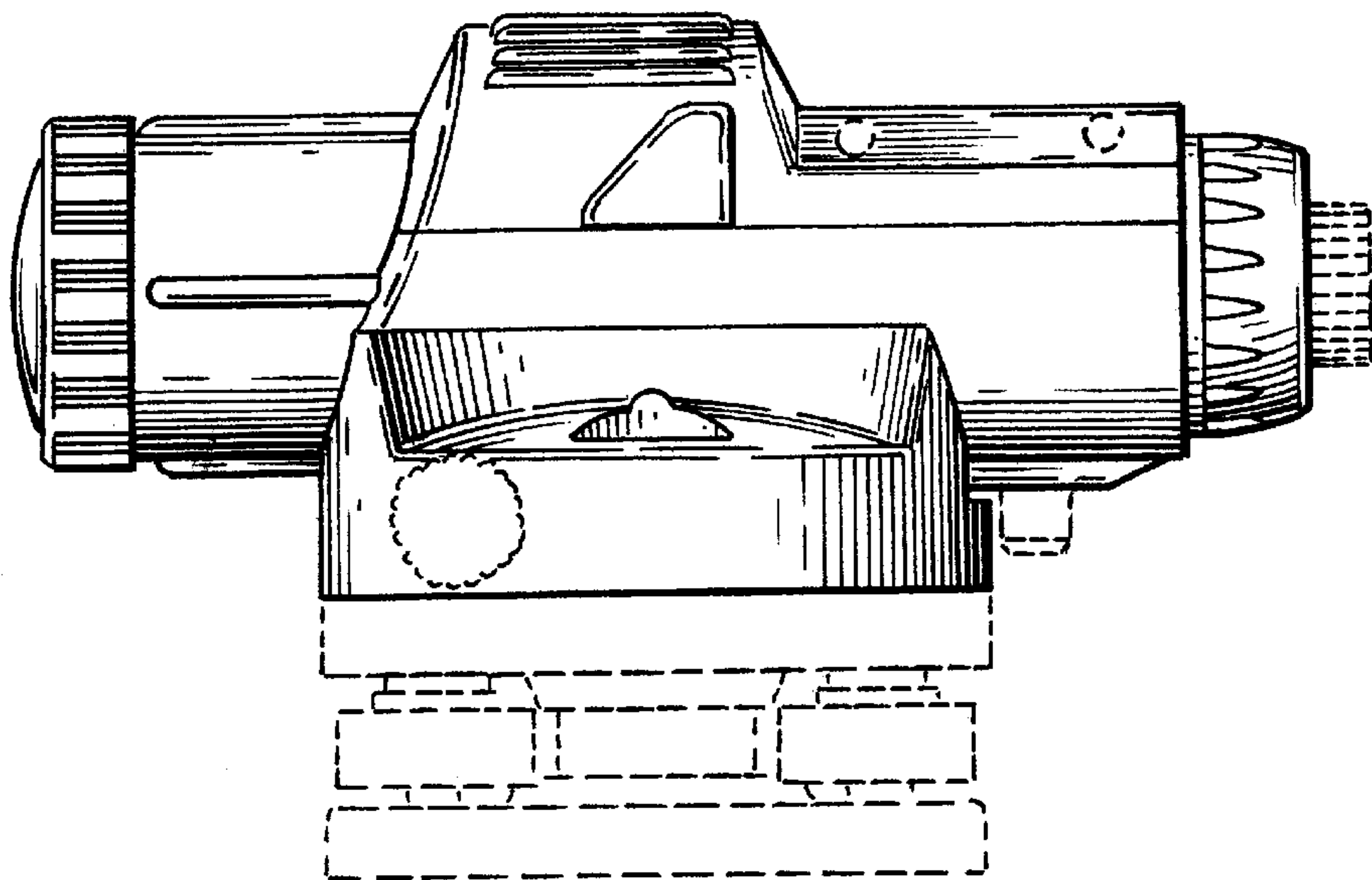
The bottom surfaces of the optical automatic levels are not part of the design sought to be patented and are therefore not shown. The portions of the optical automatic levels shown in broken lines are not part of the design sought to be patented.

**1 Claim, 3 Drawing Sheets**

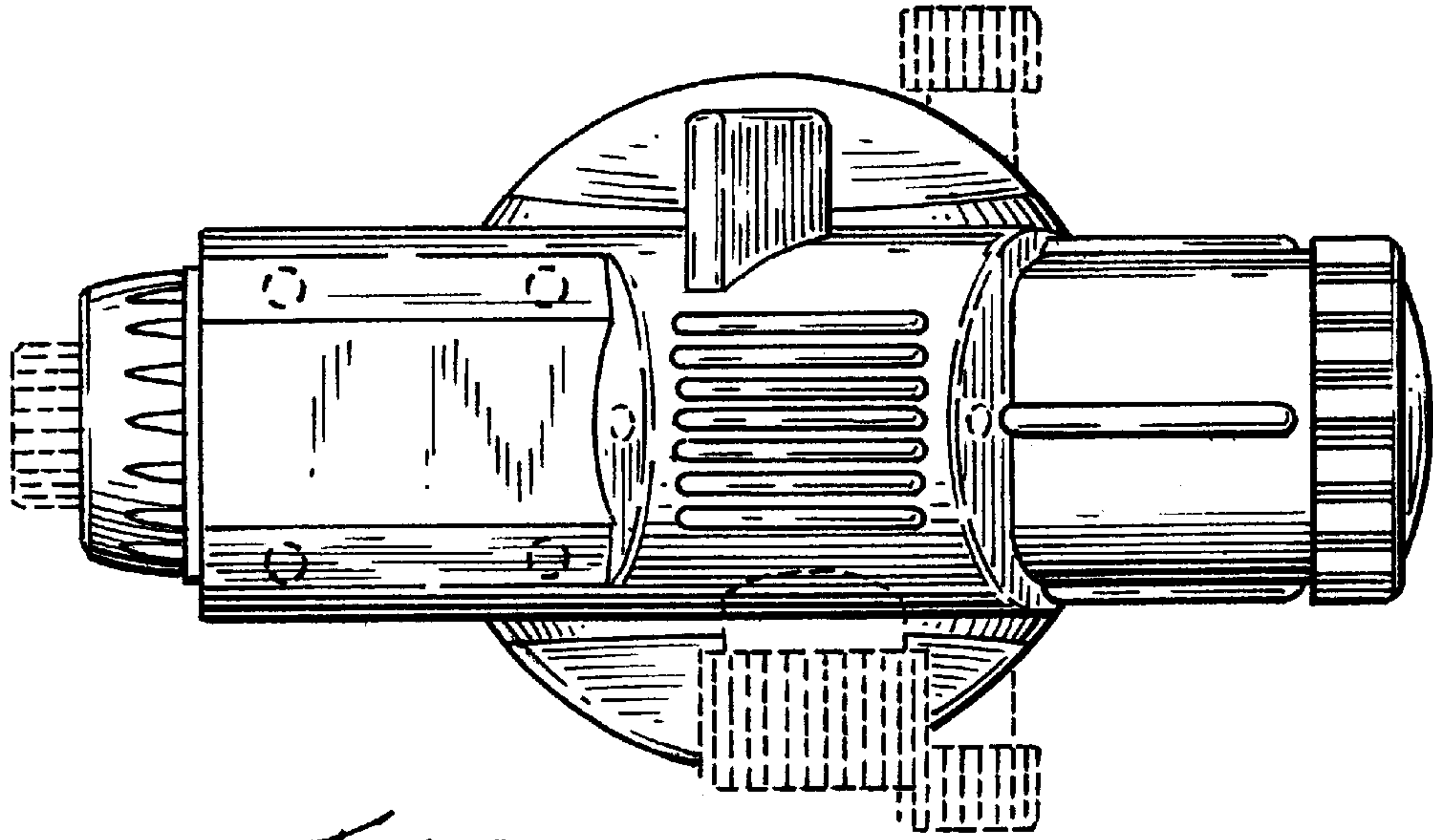




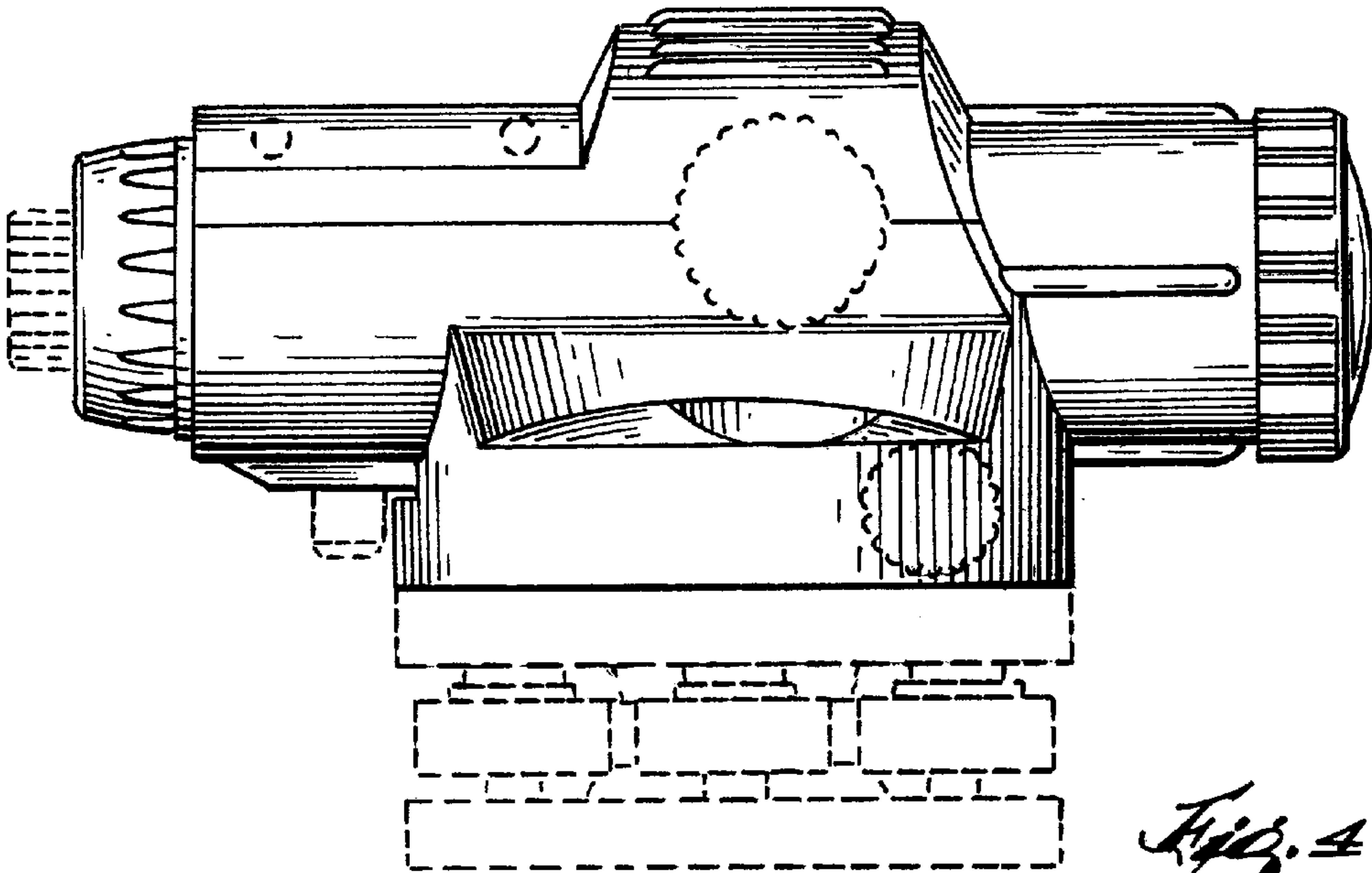
*Fig. 1*



*Fig. 2*

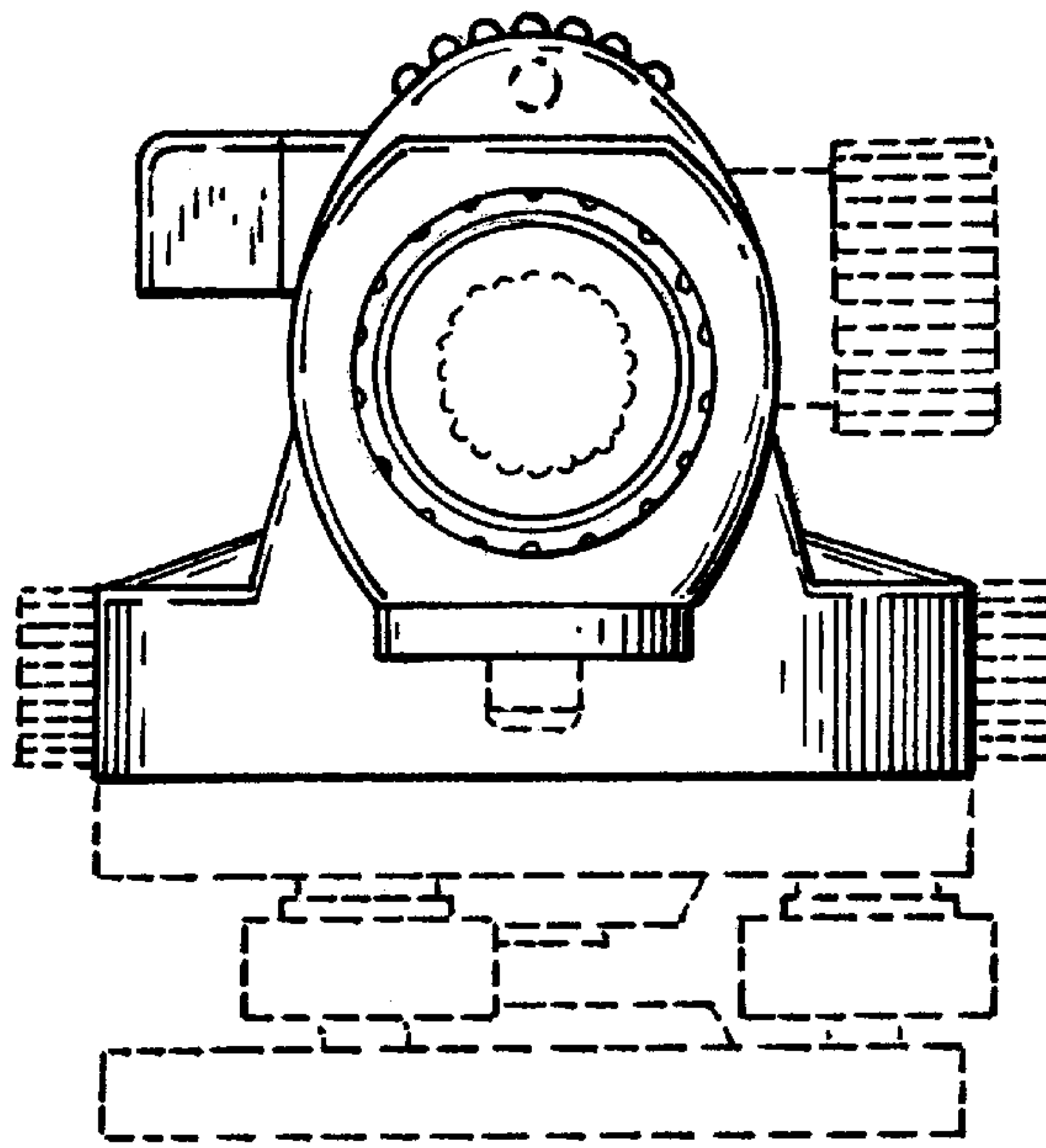


*Fig. 3*

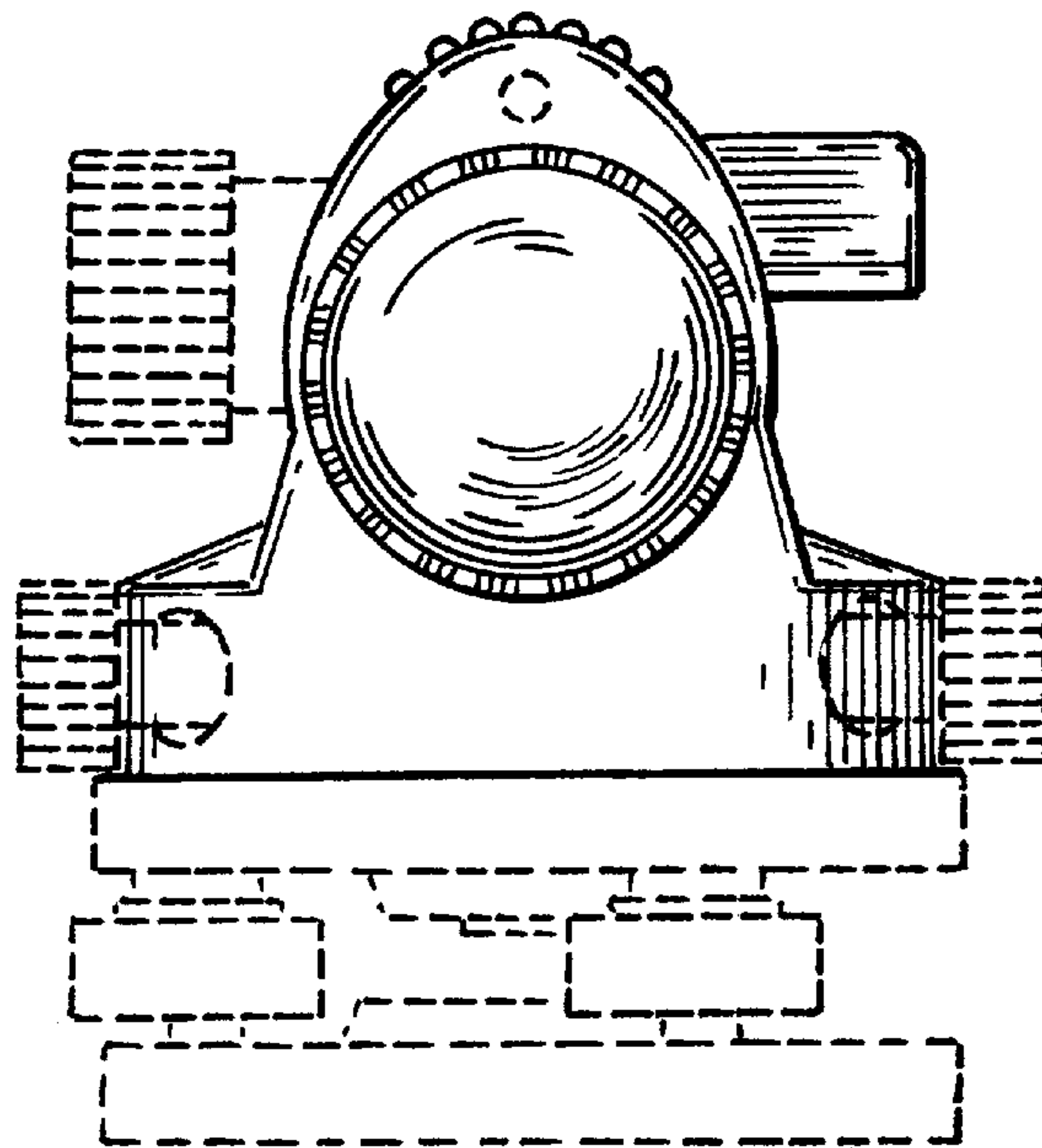


*Fig. 4*





*Fig. 5*



*Fig. 6*