



US00D440502S

(12) **United States Design Patent**
Higashikata et al.

(10) **Patent No.:** **US D440,502 S**

(45) **Date of Patent:** **** Apr. 17, 2001**

(54) **REGULATOR FOR A FLUID APPARATUS**

6,041,812 * 3/2000 Hilbers 137/382

(75) Inventors: **Akira Higashikata**, Toride; **Hiroki Takaoka**, Ibaraki-ken, both of (JP)

* cited by examiner

(73) Assignee: **SMC Kabushiki Kaisha**, Tokyo (JP)

Primary Examiner—Antoine Duval Davis

(**) Term: **14 Years**

(74) *Attorney, Agent, or Firm*—Frishauf, Holtz, Goodman, Langer & Chick, P.C.

(21) Appl. No.: **29/121,685**

(22) Filed: **Apr. 12, 2000**

(57) **CLAIM**

The ornamental design for a regulator for a fluid apparatus, as shown.

(30) **Foreign Application Priority Data**

DESCRIPTION

Oct. 15, 1999 (JP) 11-28381

FIG. 1 is a top, front and left-side perspective view of a regulator for a fluid apparatus showing our new design;

(51) **LOC (7) Cl.** **10-04**

FIG. 2 is a front view thereof, the rear view being a mirror image;

(52) **U.S. Cl.** **D10/49; D10/85; D10/96**

FIG. 3 is a left side view thereof;

(58) **Field of Search** **D10/49, 85, 96;**

137/382, 312, 391, 116.5, 101, 505.28, 505.41, 505.35; 15/421; 251/145; 239/107

FIG. 4 is a right side view thereof;

FIG. 5 is a top plan view thereof; and,

FIG. 6 is a bottom plan view thereof.

(56) **References Cited**

U.S. PATENT DOCUMENTS

D. 232,085 * 7/1974 Benzing D10/49

1 Claim, 2 Drawing Sheets

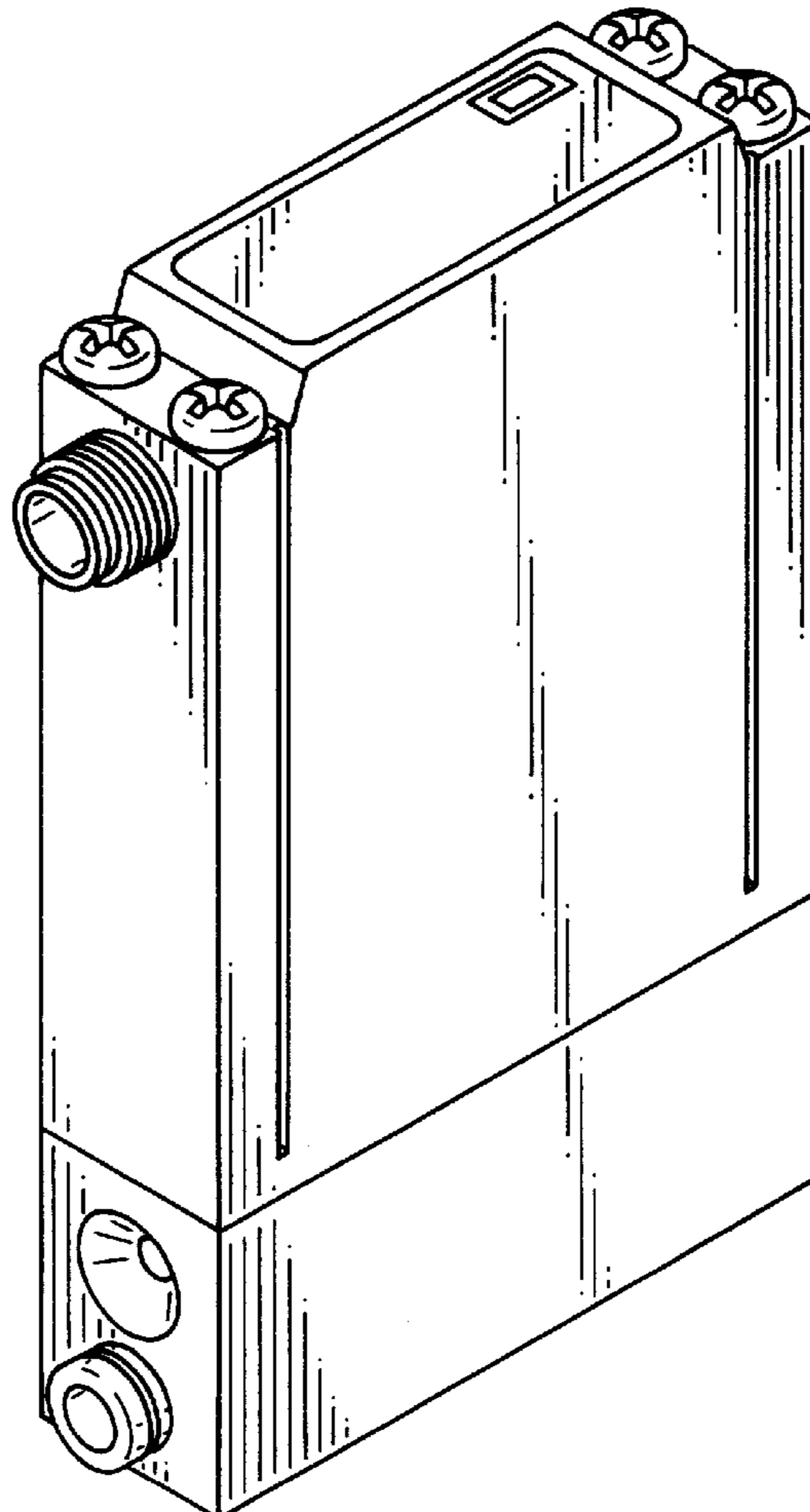


FIG. 1

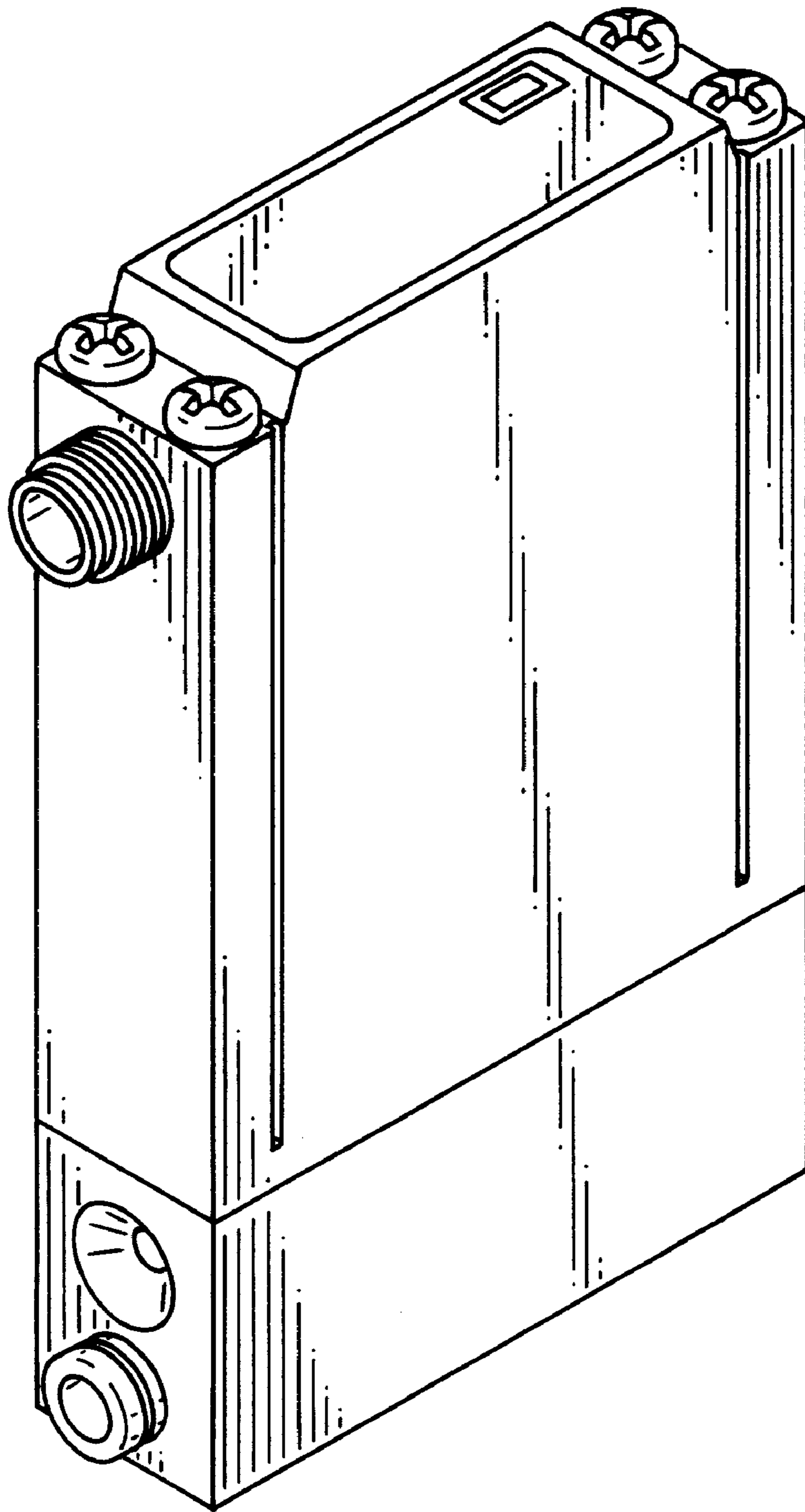


FIG. 3

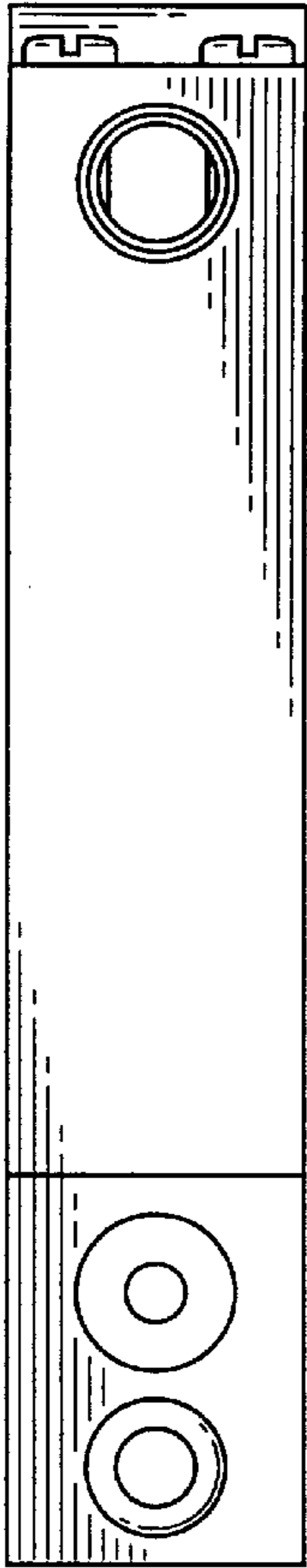


FIG. 2

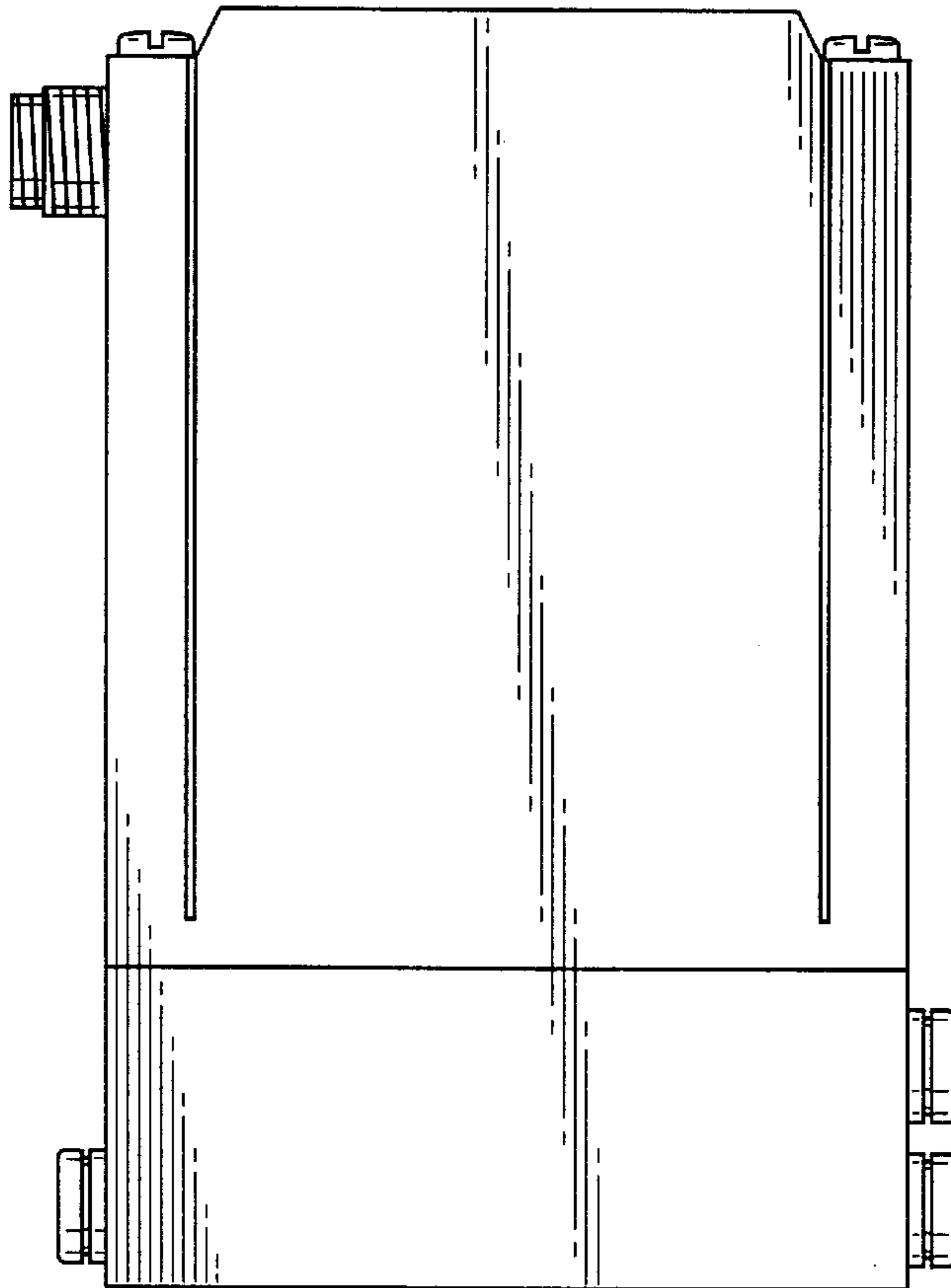


FIG. 4

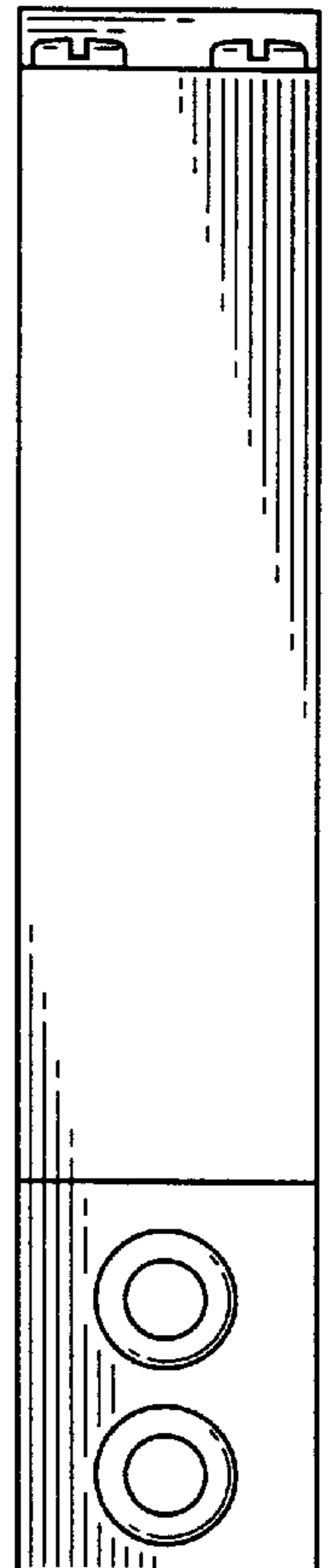


FIG. 5

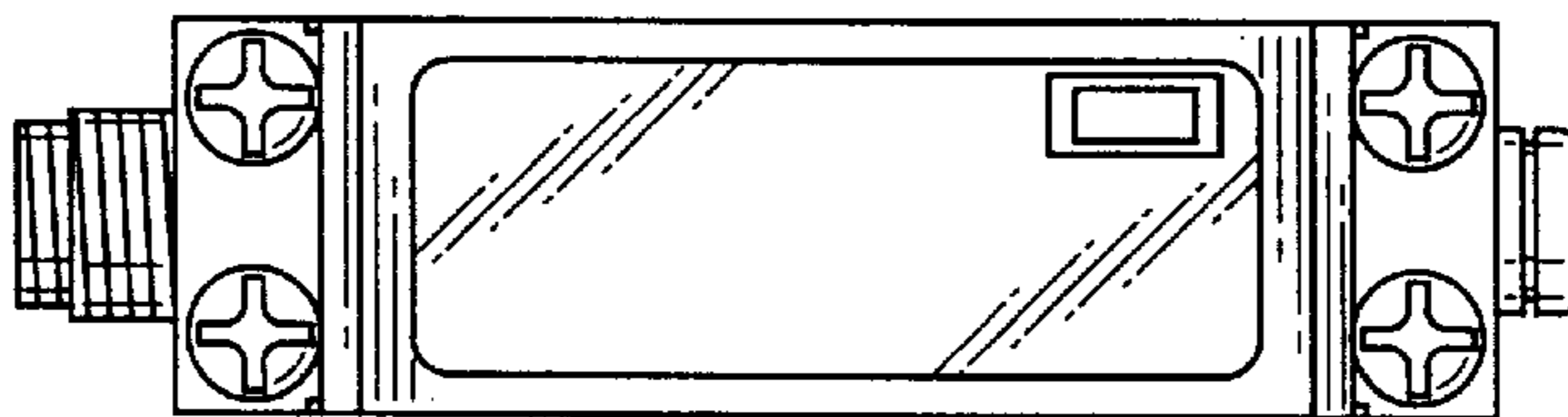


FIG. 6

