



US00D440501S

(12) **United States Design Patent**
Dorion et al.

(10) **Patent No.:** **US D440,501 S**

(45) **Date of Patent:** **** Apr. 17, 2001**

(54) **MEASURING CUP WITH A VIEW WINDOW**

D. 330,863 * 11/1992 Green D10/46.2

(75) Inventors: **Karen Dorion; Christopher Dorion,**
both of Elmhurst, IL (US)

* cited by examiner

(73) Assignee: **L&P Property Management**
Company, South Gate, CA (US)

Primary Examiner—Terry A. Wallace

(74) *Attorney, Agent, or Firm*—Laff, Whitesel & Saret, Ltd.

(**) Term: **14 Years**

(57) **CLAIM**

The ornamental design for a measuring cup with a view window, as shown and described.

(21) Appl. No.: **29/123,278**

DESCRIPTION

(22) Filed: **May 15, 2000**

(51) **LOC (7) Cl.** **10-04**

(52) **U.S. Cl.** **D10/46.2**

(58) **Field of Search** D7/691, 692; D10/46.2;
73/426-429; 294/55

FIG. 1 is a perspective view of the measuring cup;

FIG. 2 is a top plan view of the measuring cup;

FIG. 3 is a side elevation view of the measuring cup, the opposite side being identical;

FIG. 4 is a front elevation view of the measuring cup;

FIG. 5 is a bottom plan view of the measuring cup; and,

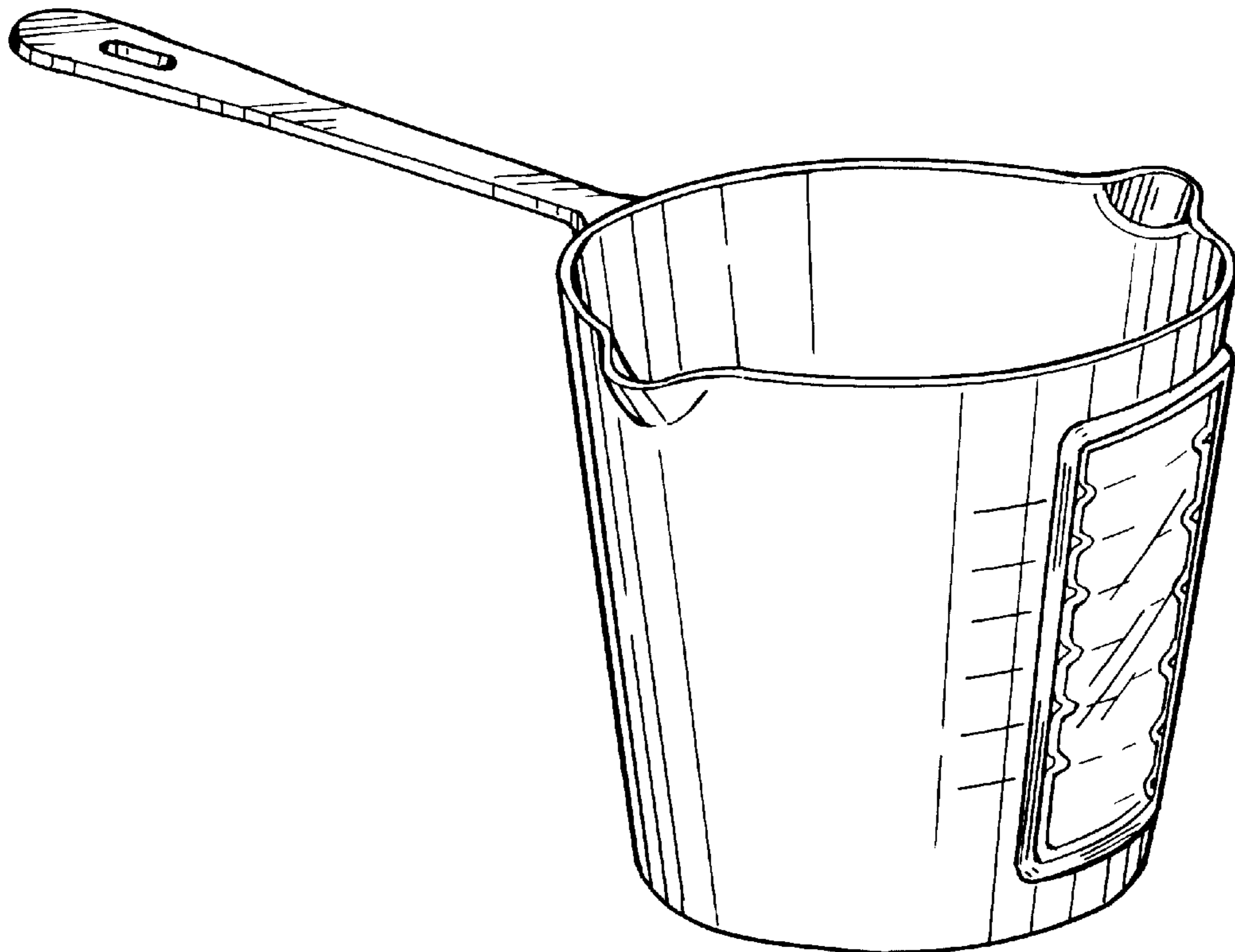
FIG. 6 is a rear elevation view of the measuring cup.

(56) **References Cited**

U.S. PATENT DOCUMENTS

D. 287,324 * 12/1986 Schmidt D10/46.2

1 Claim, 2 Drawing Sheets



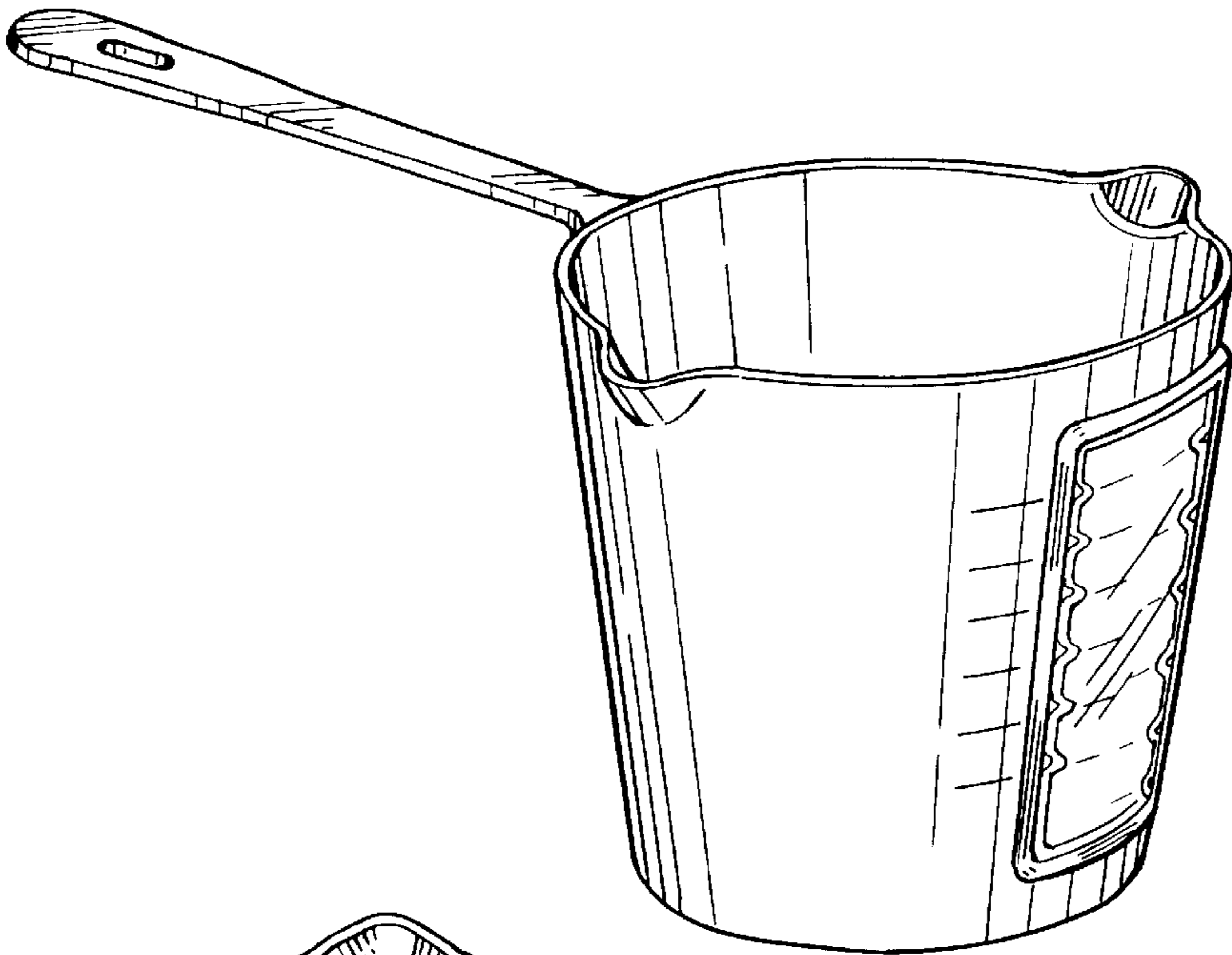


FIG. 1

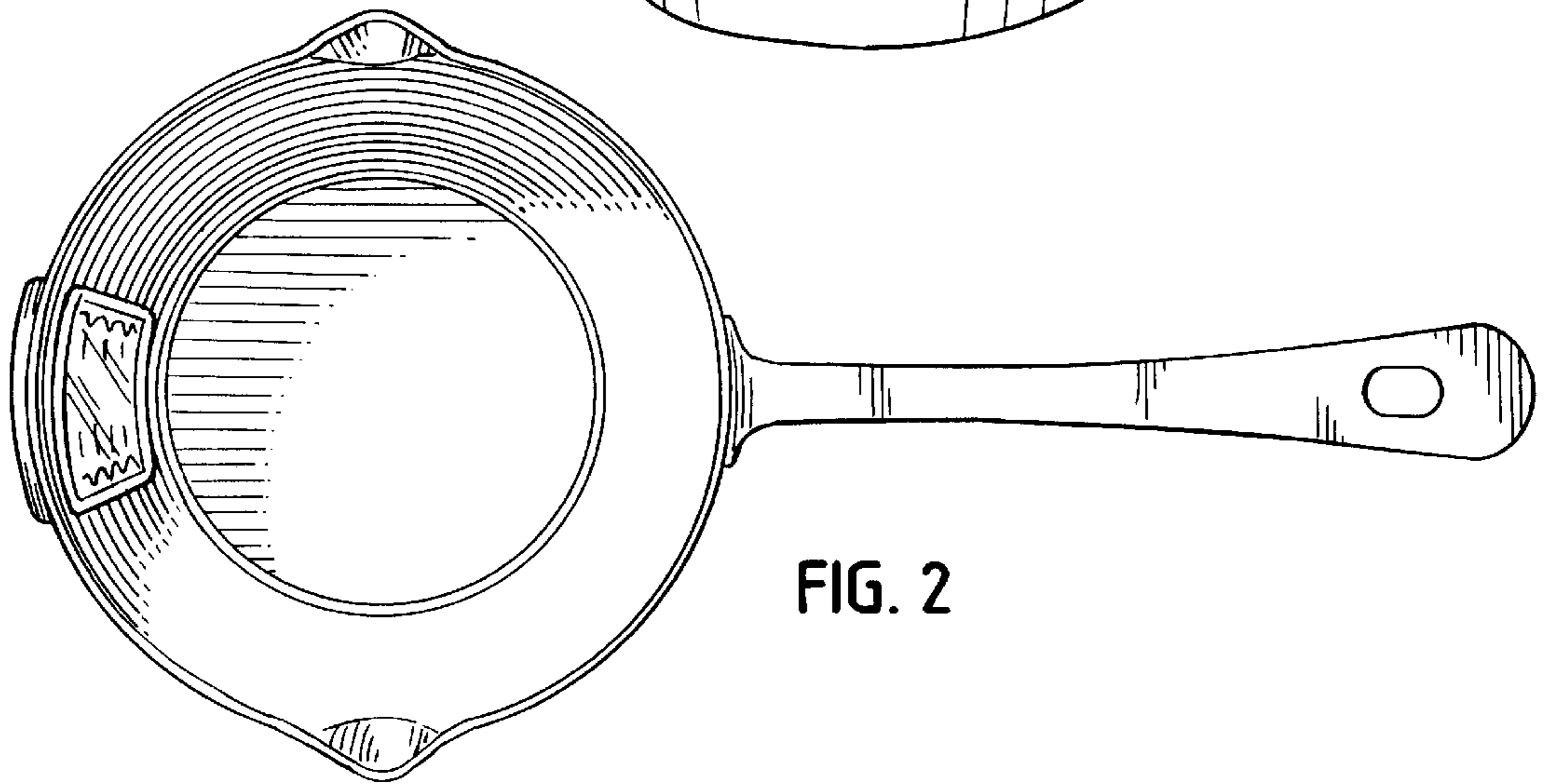


FIG. 2

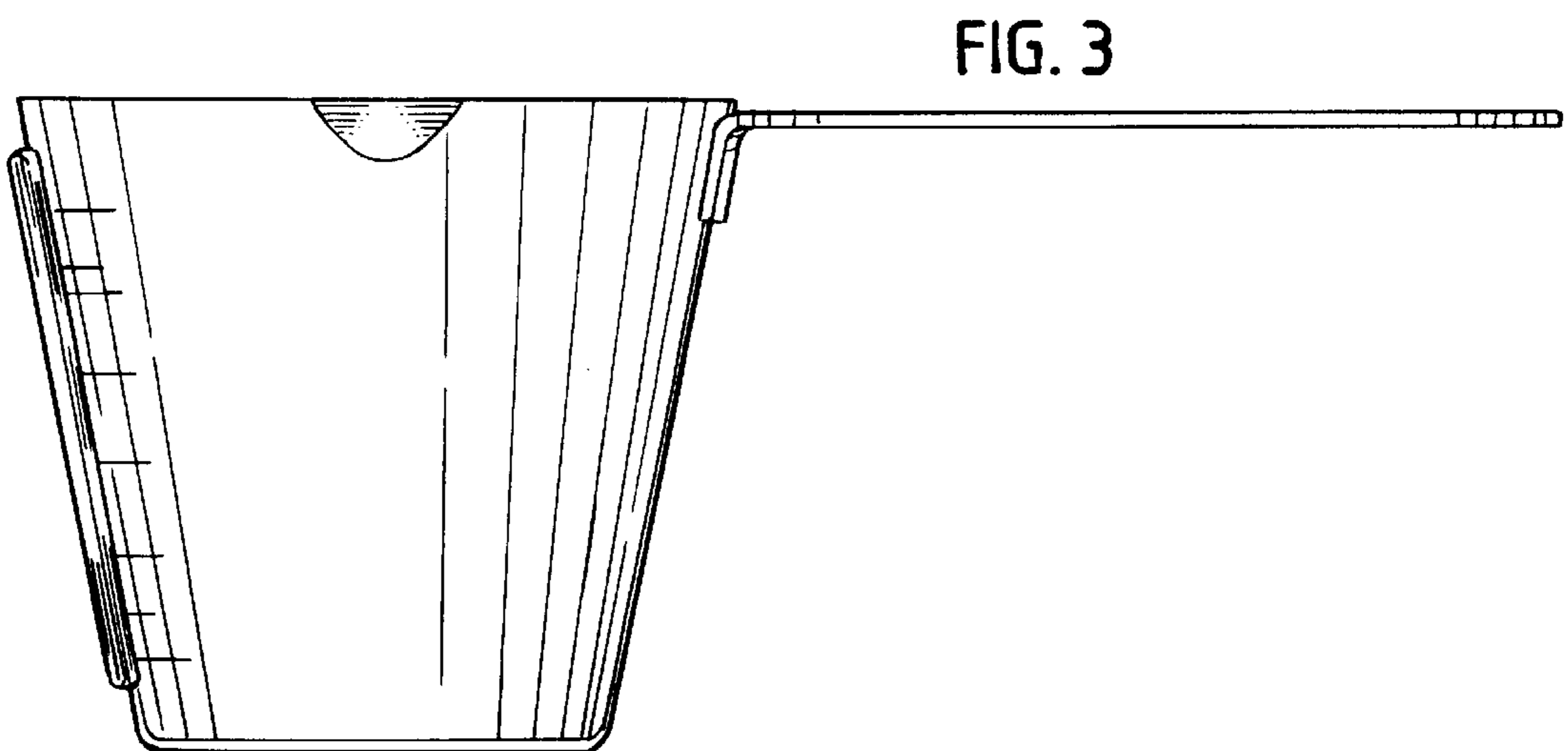


FIG. 3

FIG. 4

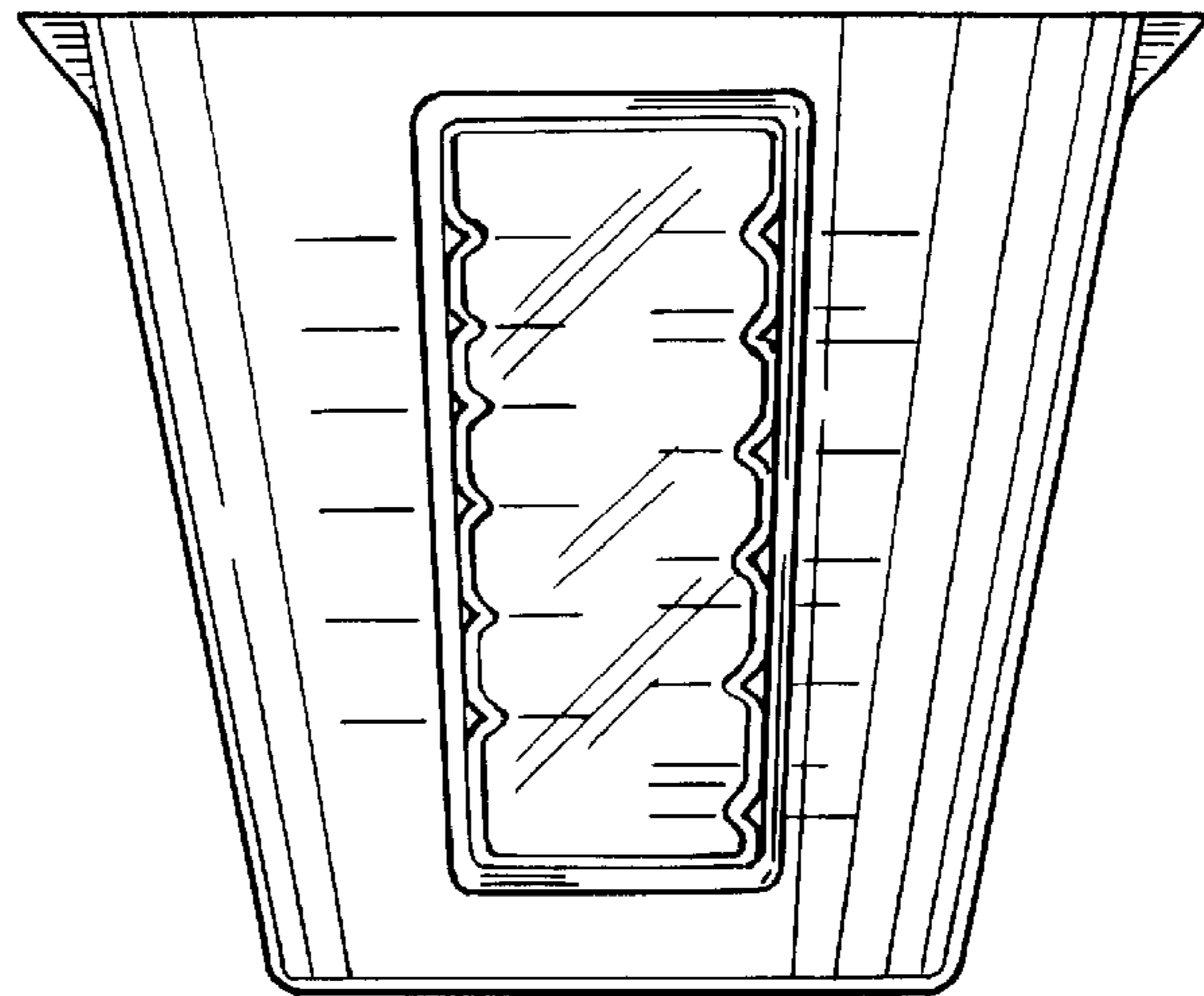


FIG. 5

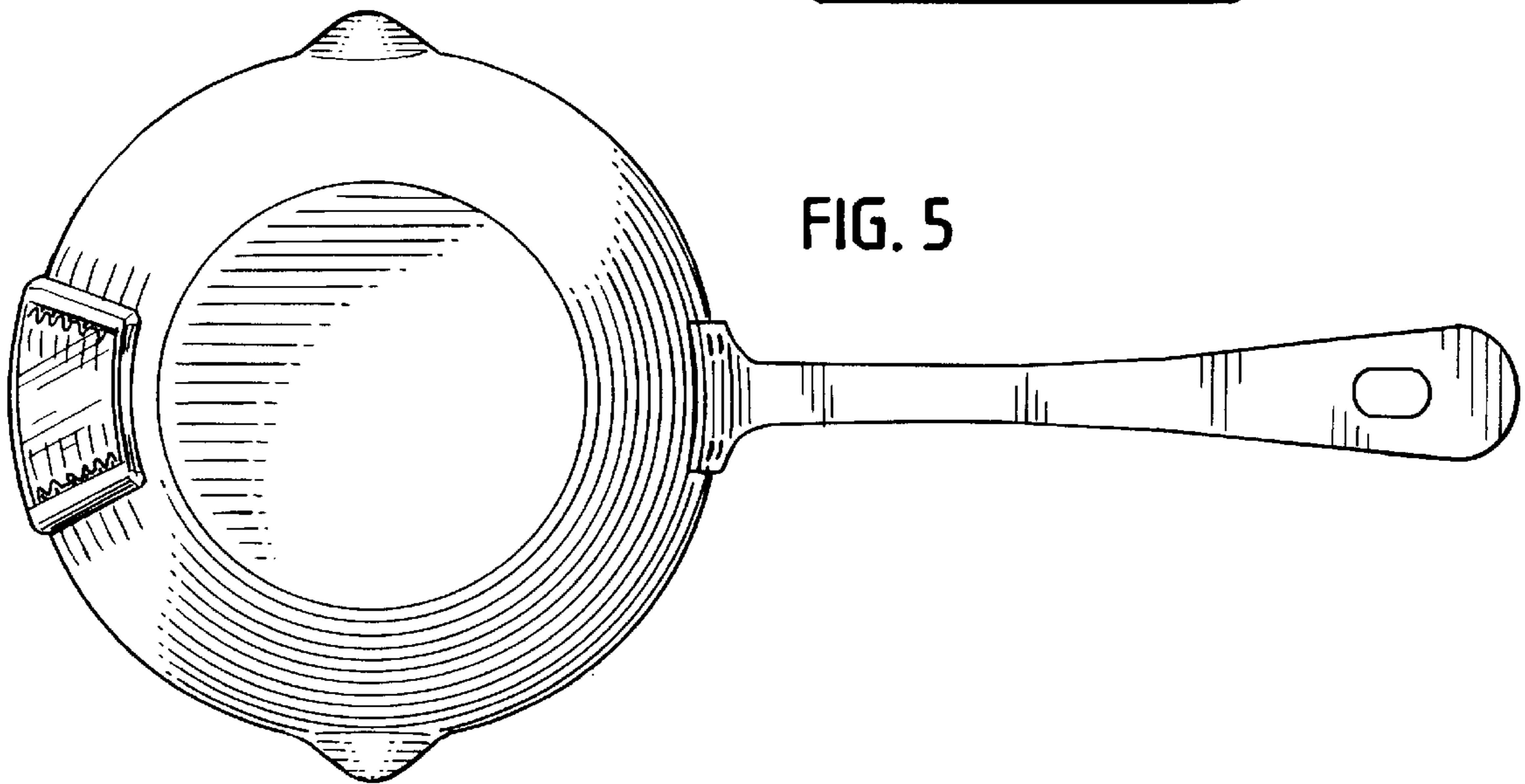


FIG. 6

